



US00D911404S

(12) **United States Design Patent** (10) **Patent No.:** **US D911,404 S**
Gou (45) **Date of Patent:** **** Feb. 23, 2021**

(54) **CONTROLLING APPARATUS FOR HOT AIR BLOWING TOOL FOR MELTING SOLDER**
(71) Applicant: **Guangzhou Yihua Electronic Equipment Co., Ltd., Guangdong (CN)**
(72) Inventor: **Mingkang Gou, Guangdong (CN)**
(73) Assignee: **Guangzhou Yihua Electronic Equipment Co., Ltd., Guangdong (CN)**

D678,373 S * 3/2013 Kita D15/144.2
D703,715 S * 4/2014 Kita D15/144
D740,339 S * 10/2015 Teraoka D15/144.2
D762,254 S * 7/2016 Kita D15/144.2
D762,754 S * 8/2016 Kita D15/144.2
D829,790 S * 10/2018 Gou D15/144
D831,716 S * 10/2018 Gou D15/144
D831,717 S * 10/2018 Gou D15/144
D879,849 S * 3/2020 Kita D15/144.2

(**) Term: **15 Years**

(21) Appl. No.: **29/691,136**

(22) Filed: **May 14, 2019**

(51) **LOC (13) Cl.** **15-09**

(52) **U.S. Cl.**
USPC **D15/144.2; D15/144**

(58) **Field of Classification Search**
USPC D8/29, 29.1, 29.2, 30, 70, 71; D10/46, D10/50, 78; D13/123, 133; D14/126; D15/122, 144, 144.1, 144.2; D24/107, D24/232
CPC B23K 3/033; B23K 3/0369; B23K 3/08; G05D 23/2401
See application file for complete search history.

(56) **References Cited**

U.S. PATENT DOCUMENTS

D137,465 S * 3/1944 Nielsen D15/144
D243,459 S * 2/1977 Bliss D15/144
D274,882 S * 7/1984 Rittmann D15/144
D277,636 S * 2/1985 Rittmann D15/144
D415,435 S * 10/1999 Yoshimura D10/50
D596,654 S * 7/2009 Kita D15/144
D656,525 S * 3/2012 Mochizuki D15/144.2

OTHER PUBLICATIONS

YIHUA-959D Hot Air Rework Station, posted on yihua-soldering.com, posted Oct. 2019, no production date given, [online], [site visited Apr. 24, 2020], URL: <http://yihua-soldering.com/product-3-2-1-hot-air-rework-station-en/147678/> (Year: 2019).*

* cited by examiner

Primary Examiner — Michael C Stout
Assistant Examiner — Fritzgerald L Butac
(74) *Attorney, Agent, or Firm* — Lucas & Mercanti, LLP

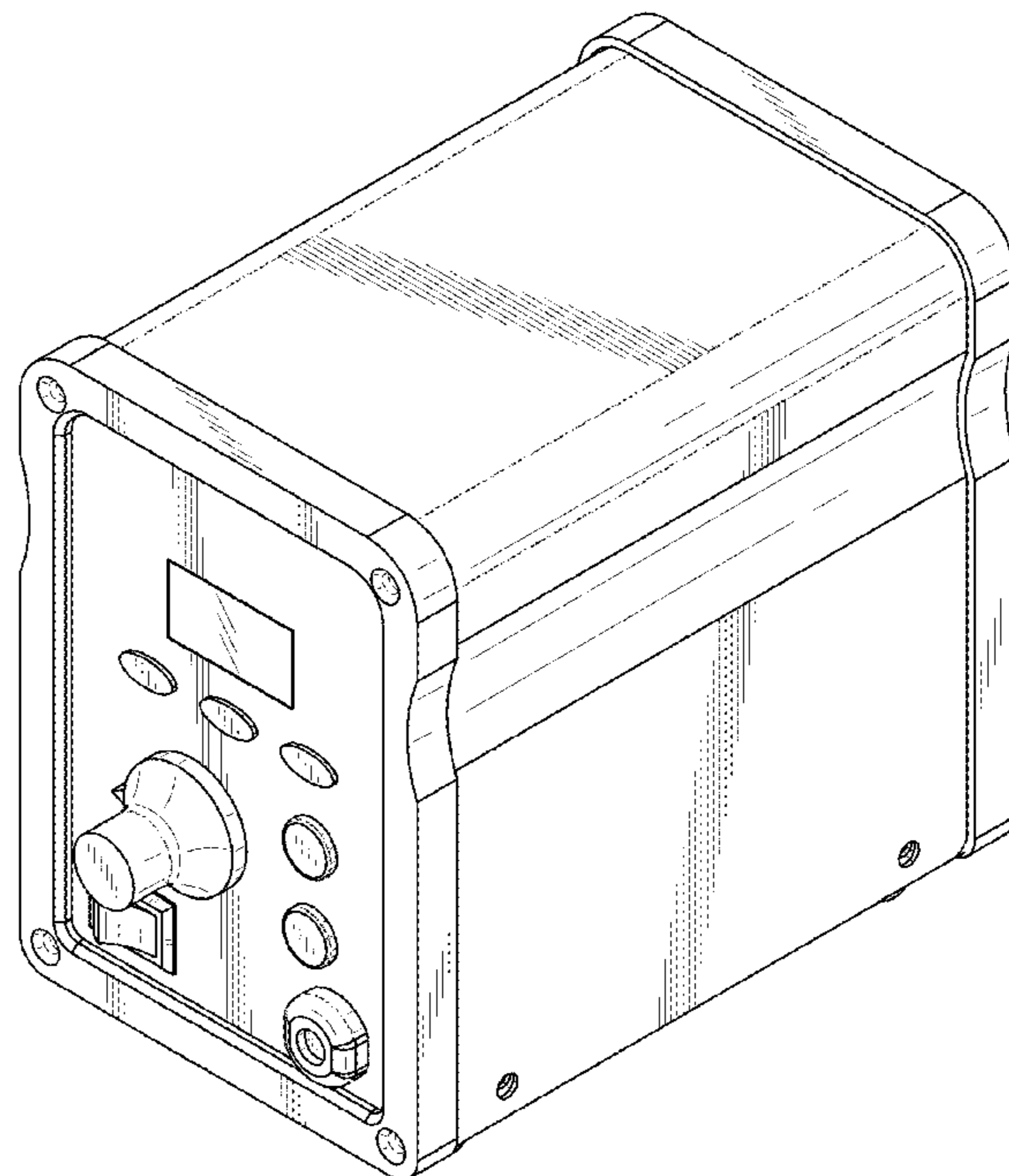
(57) **CLAIM**

The ornamental design for a controlling apparatus for a hot air blowing tool for melting solder, as shown and described.

DESCRIPTION

FIG. 1 is a perspective view of the controlling apparatus; FIG. 2 is a front view thereof; FIG. 3 is a rear view thereof; FIG. 4 is a left side view thereof; FIG. 5 is a right side view thereof; FIG. 6 is a top view thereof; and, FIG. 7 is a bottom view thereof. The broken lines show portions of a controlling apparatus for hot air blowing tool for melting solder which form no part of the claimed design.

1 Claim, 7 Drawing Sheets



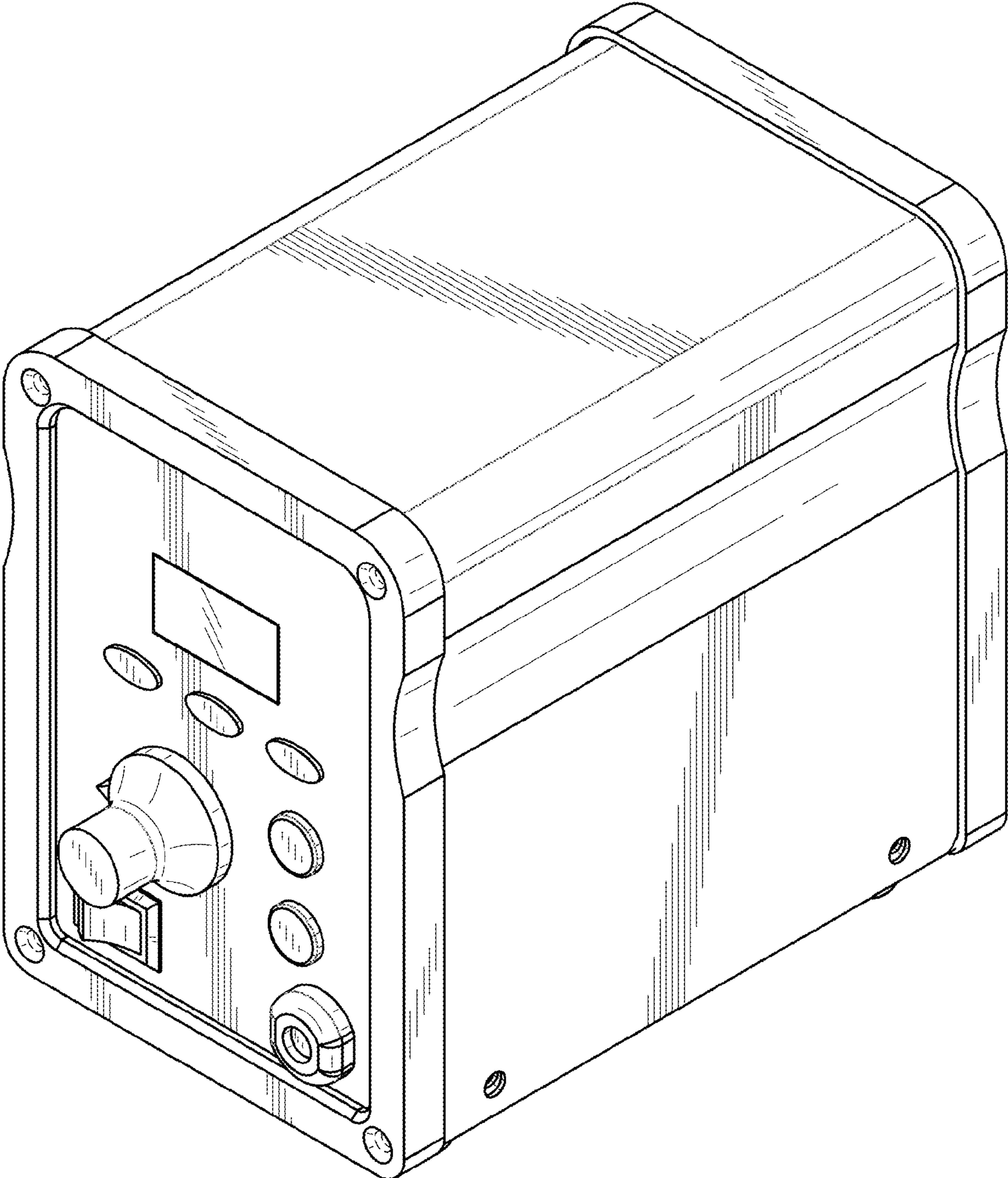


FIG. 1

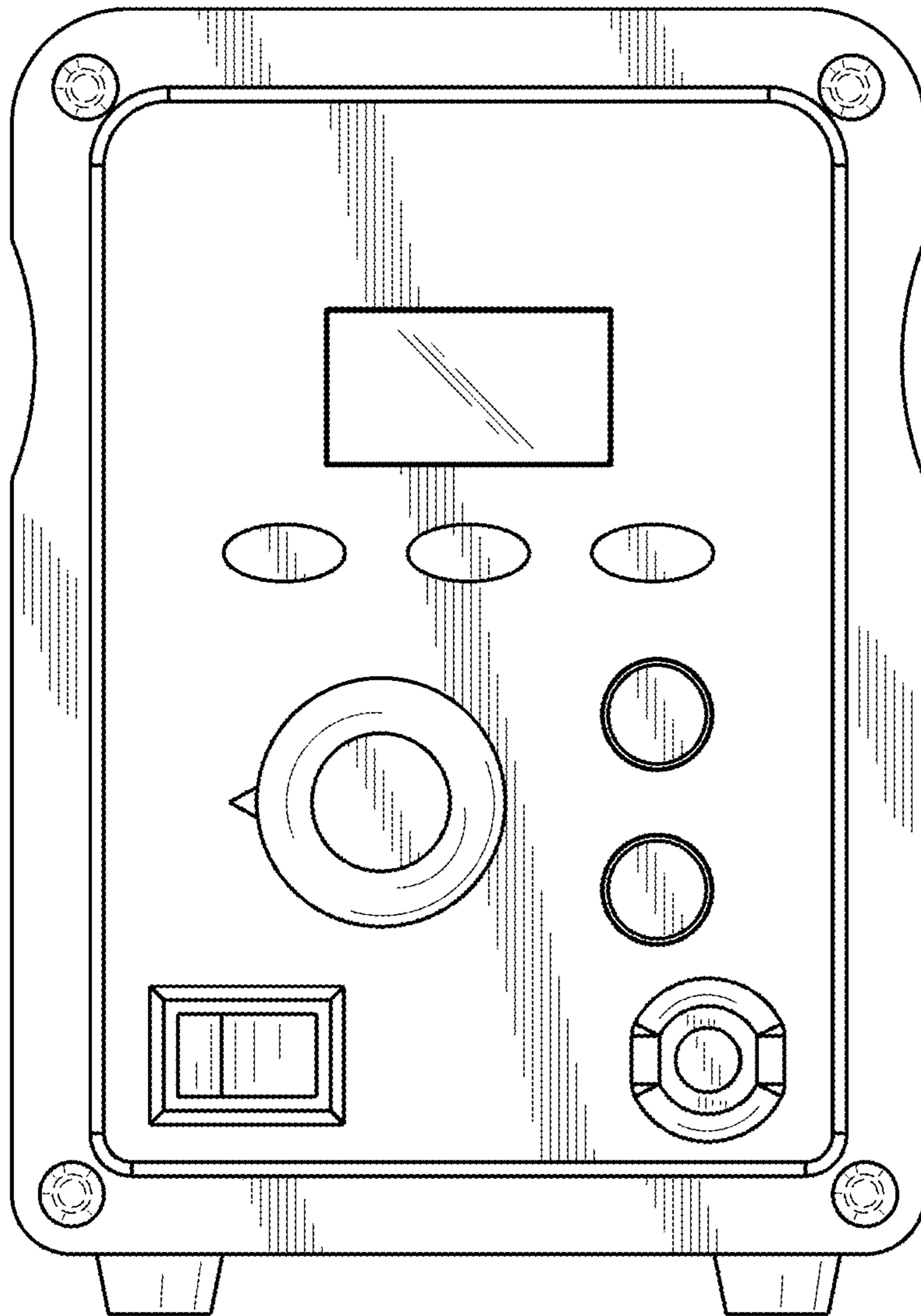


FIG. 2

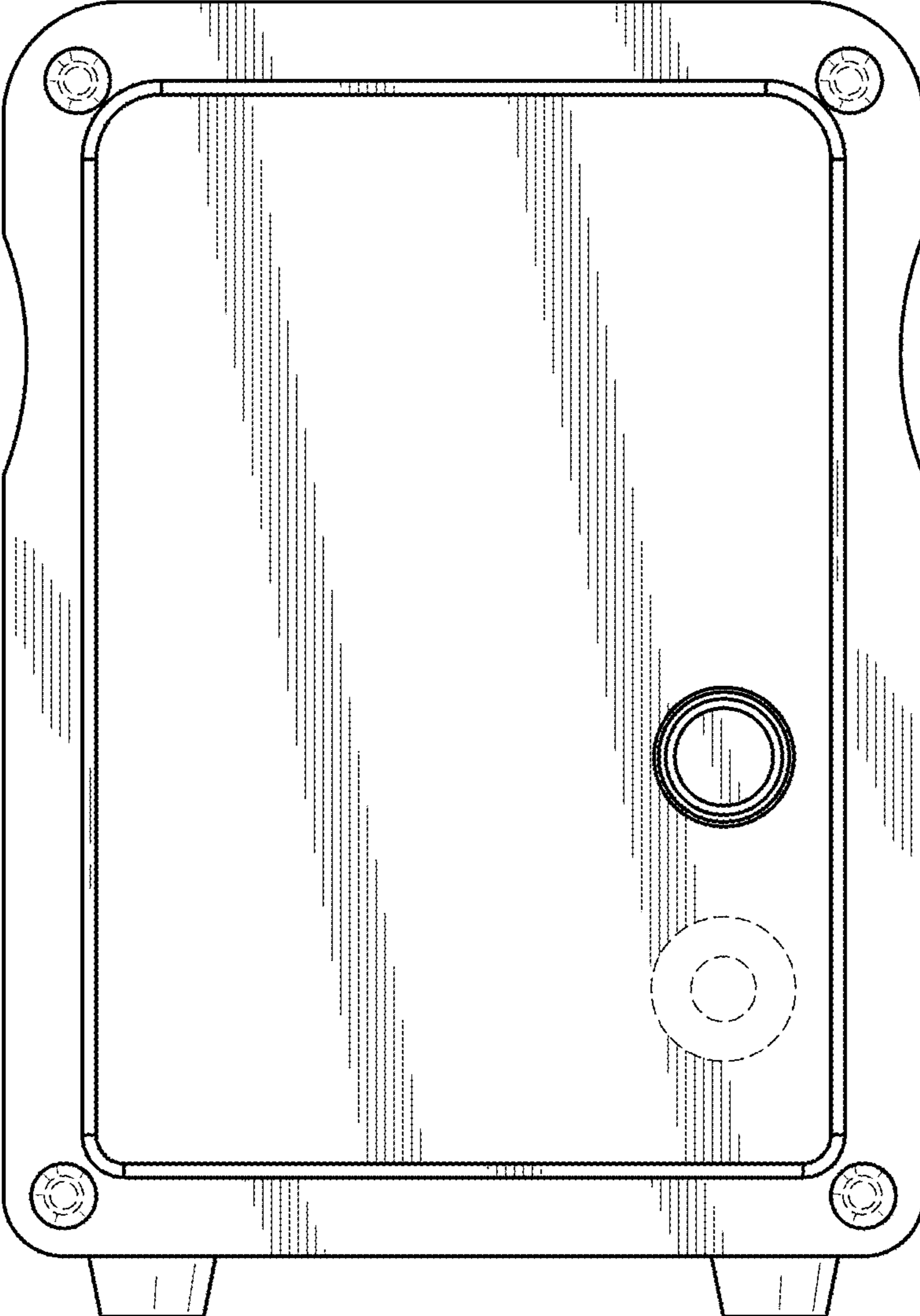


FIG. 3

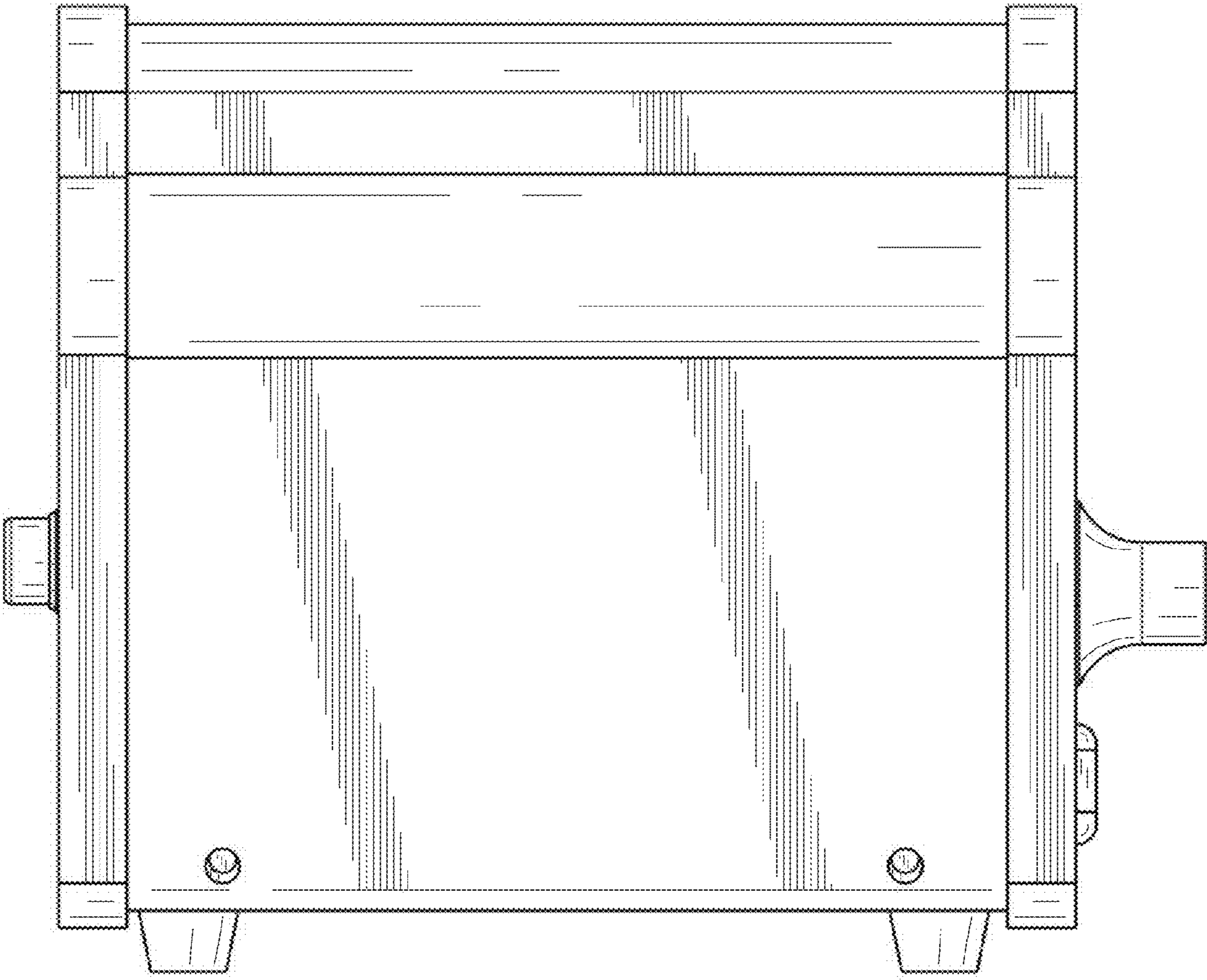


FIG. 4

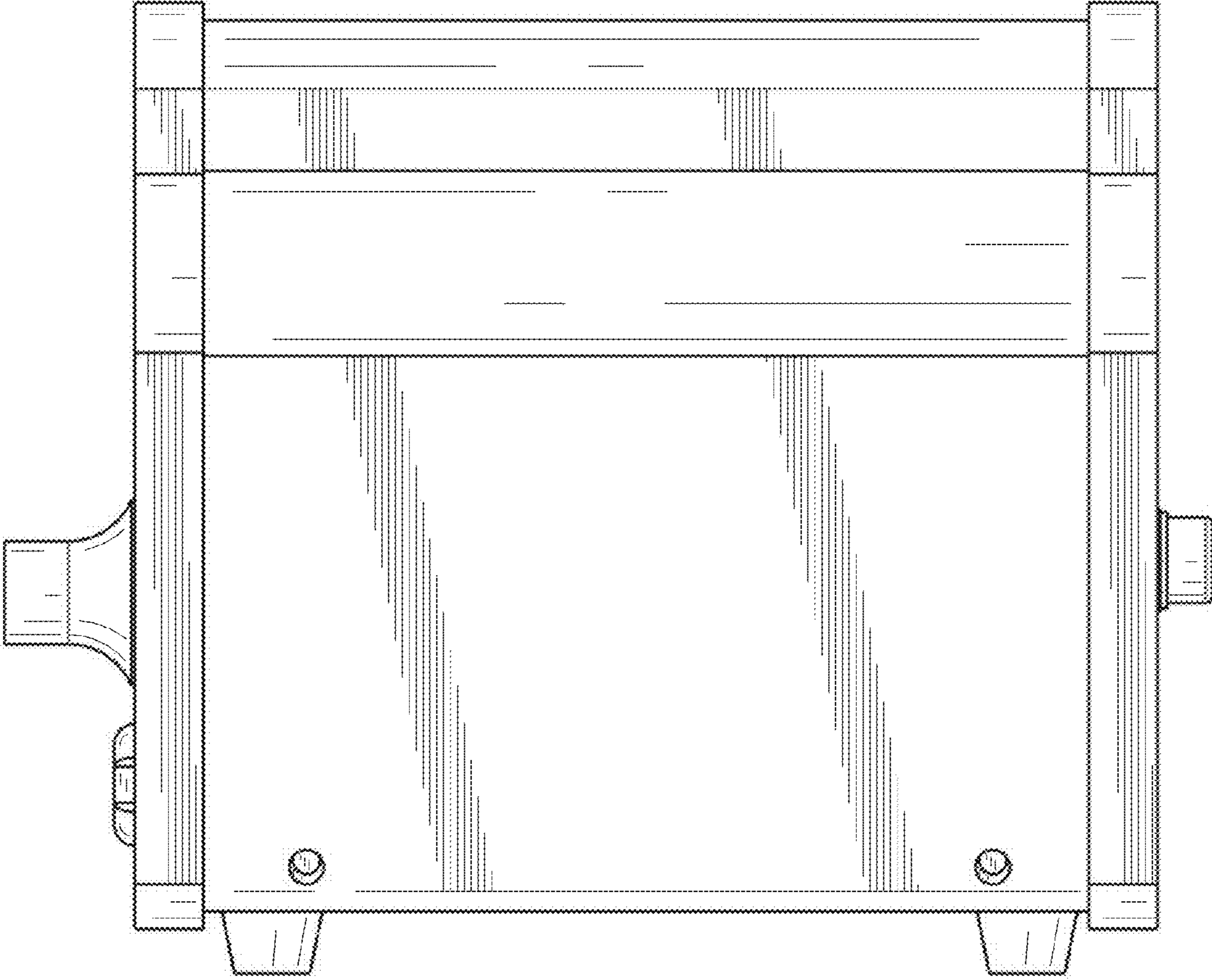


FIG. 5

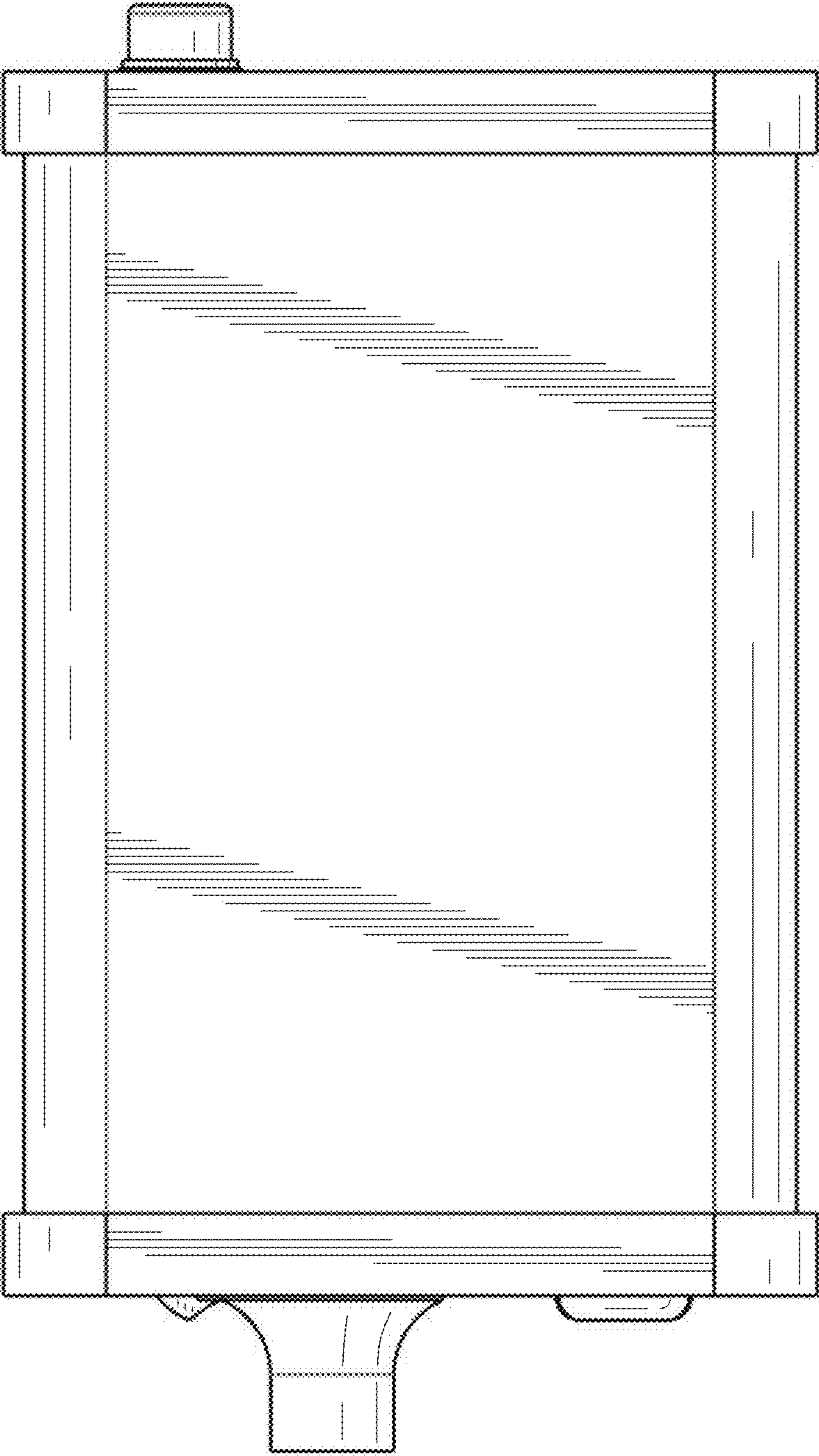


FIG. 6

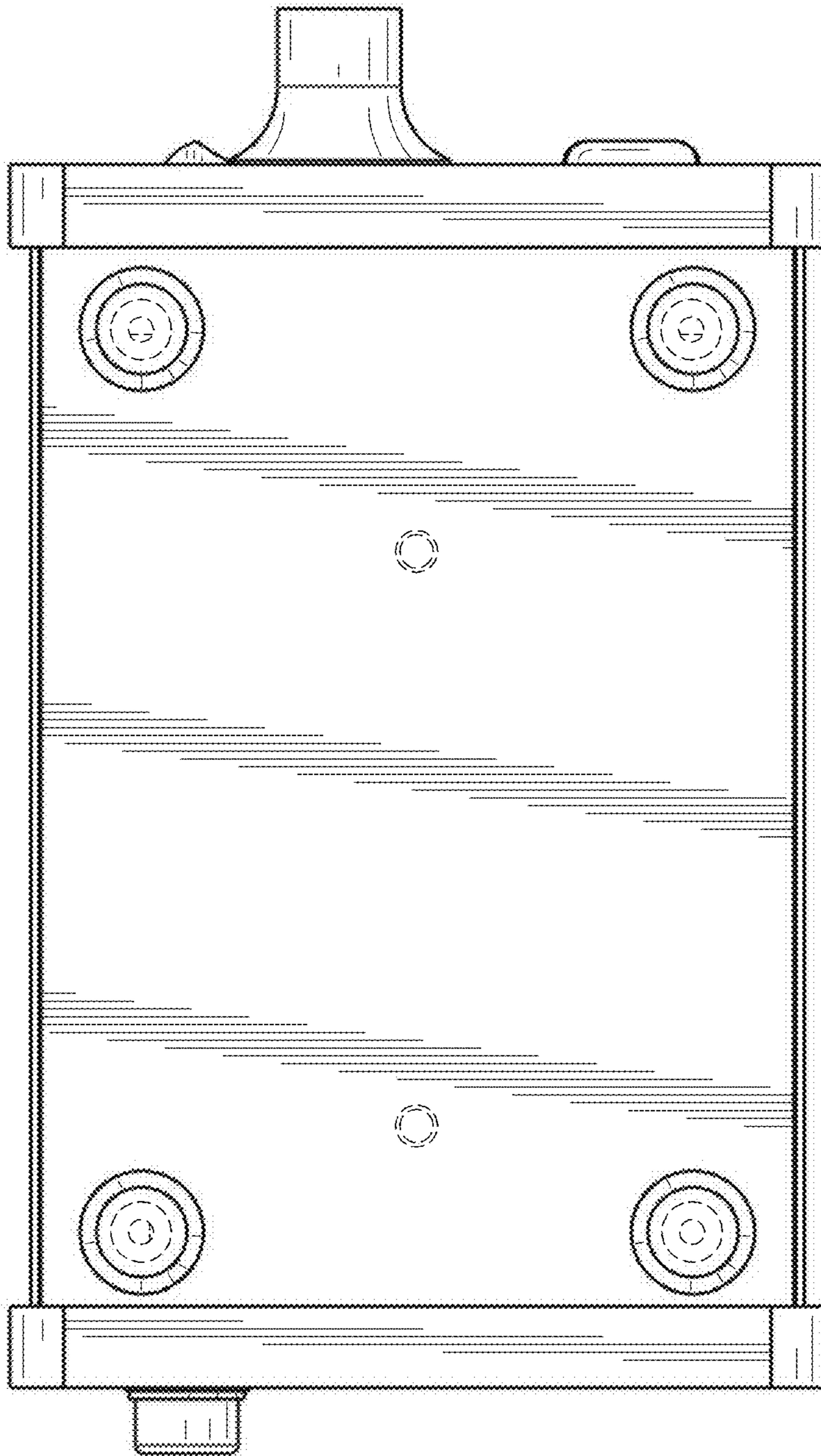


FIG. 7