



US00D911402S

(12) **United States Design Patent**
Prymula et al.

(10) **Patent No.:** **US D911,402 S**

(45) **Date of Patent:** **** Feb. 23, 2021**

- (54) **CHAMBER**
- (71) Applicant: **ILLINOIS TOOL WORKS INC.**,
Glenview, IL (US)
- (72) Inventors: **David Aaron Prymula**, Allegan, MI
(US); **Randall Joseph Schoenborn**,
Allendale, MI (US)
- (73) Assignee: **Illinois Tool Works Inc.**, Glenview, IL
(US)
- (**) Term: **15 Years**
- (21) Appl. No.: **29/698,709**
- (22) Filed: **Jul. 18, 2019**
- (51) **LOC (13) Cl.** **15-09**
- (52) **U.S. Cl.**
USPC **D15/144.1**
- (58) **Field of Classification Search**
USPC D13/101, 118, 123, 155, 182, 184, 199;
D15/28, 144, 144.1, 144.2, 199; D8/71,
D8/499; 118/715, 719, 722, 723 R,
118/723 VE, 50, 728, 729, 730, 731, 732,
118/733; 29/25.01; 165/53, 54, 57, 141;
392/416; 414/217, 935, 939; 427/248.1
CPC .. F23R 3/00; F23R 3/002; F23R 3/005; F23R
3/007; F23R 3/02; F23R 3/04; F23R
3/32; F23R 3/38; F23R 3/54; F23R 3/56;
F23R 3/045; F23R 5/00; F23R 7/00;
F23R 2900/00
See application file for complete search history.

- 3,134,229 A * 5/1964 Johnson F23R 3/045
60/748
- D204,131 S * 3/1966 Williams D15/144.1
- 3,498,055 A * 3/1970 Faitani F23R 3/14
60/776
- 3,643,430 A * 2/1972 Emory, Jr. F23R 3/34
60/747
- 4,052,844 A * 10/1977 Caruel F23R 3/20
60/738
- D255,751 S * 7/1980 Daenen D7/667
- D436,609 S * 1/2001 Tepman D15/144.1
- D437,333 S * 2/2001 Kim D15/144.1
- D527,751 S * 9/2006 Kondoh D15/144.1
- D644,072 S * 8/2011 McDonald D7/667
- D764,864 S * 8/2016 Hertaus D7/400
- D816,435 S * 5/2018 Chang D7/667
- D845,704 S * 4/2019 Xu D7/400

* cited by examiner

Primary Examiner — Elizabeth J Oswecki

(74) *Attorney, Agent, or Firm* — Quarles & Brady LLP

(57) **CLAIM**

The ornamental design for a chamber, as shown and described.

DESCRIPTION

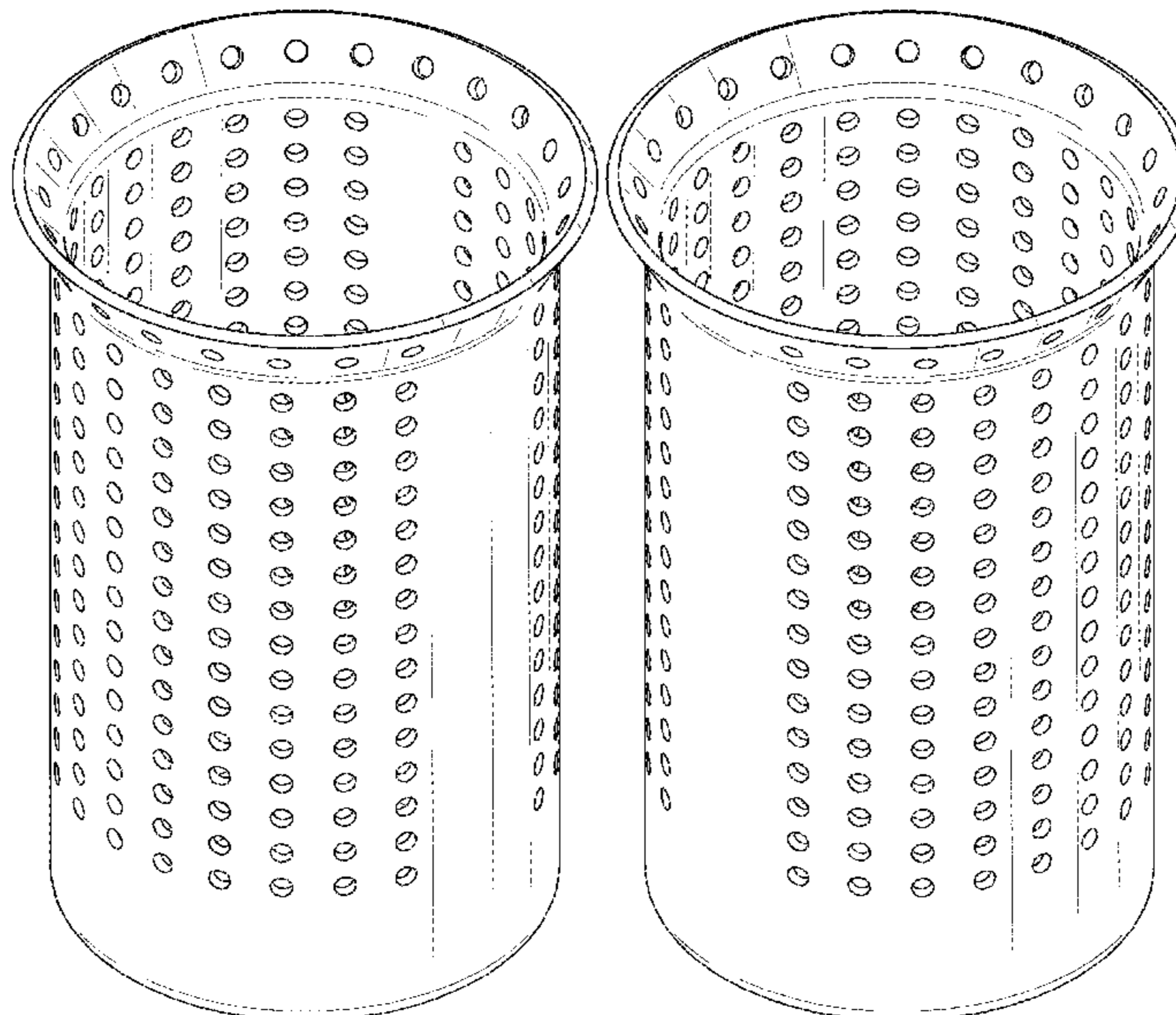
FIG. 1 is a top, right, and front isometric view of a chamber, showing our new design;
 FIG. 2 is a top, right, and rear isometric view of the chamber of FIG. 1;
 FIG. 3 is a top plan view of the chamber of FIG. 1;
 FIG. 4 is a bottom plan view of the chamber of FIG. 1;
 FIG. 5 is a left side elevational view of the chamber of FIG. 1;
 FIG. 6 is a right side elevational view of the chamber of FIG. 1;
 FIG. 7 is a front elevational view of the chamber of FIG. 1;
 and,
 FIG. 8 is a rear elevational view of the chamber of FIG. 1.

1 Claim, 7 Drawing Sheets

(56) **References Cited**

U.S. PATENT DOCUMENTS

- 3,099,134 A * 7/1963 Calder F23R 3/04
60/752
- 3,102,465 A * 9/1963 Montesano A47G 19/16
99/323



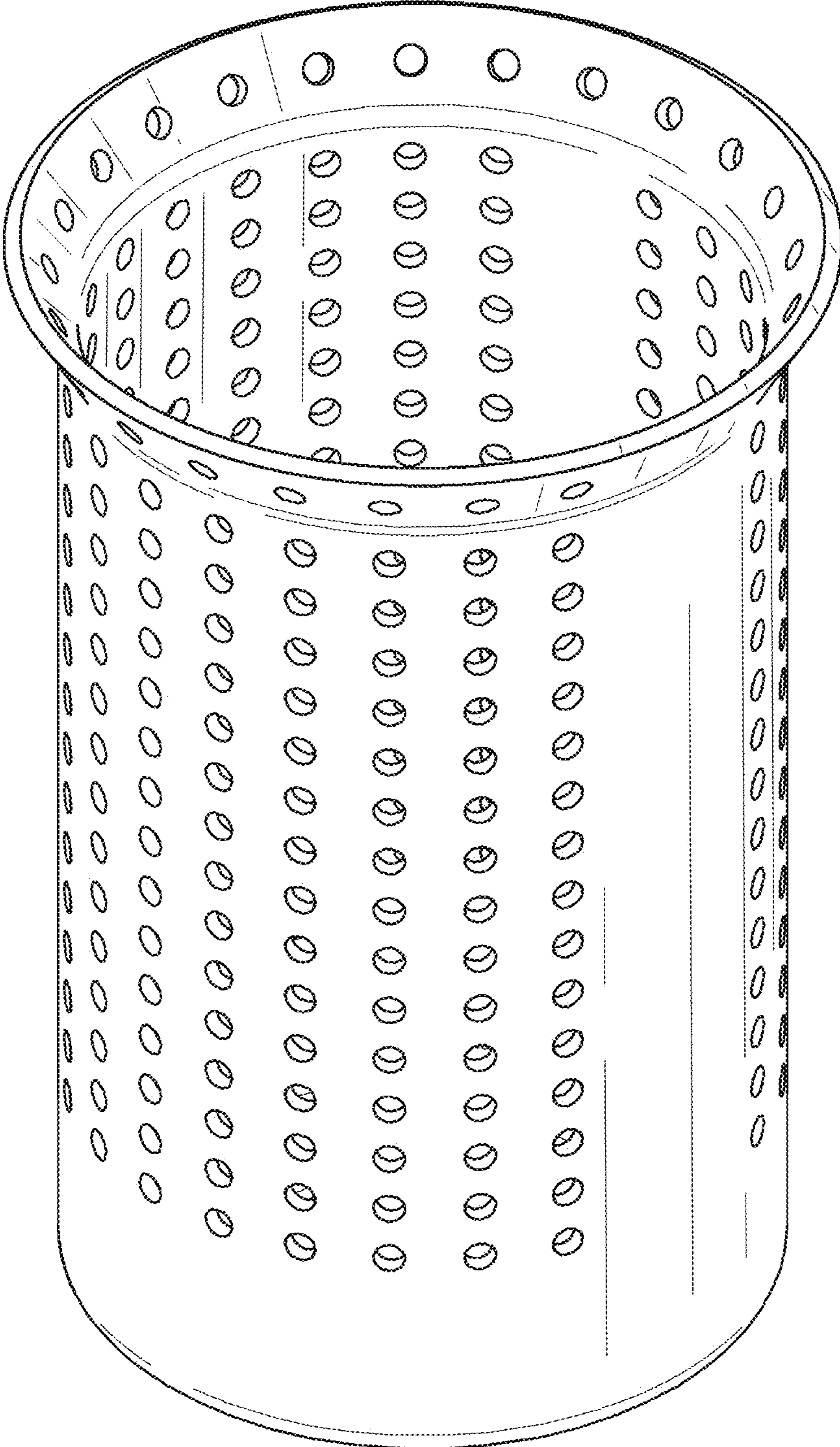


FIG. 1

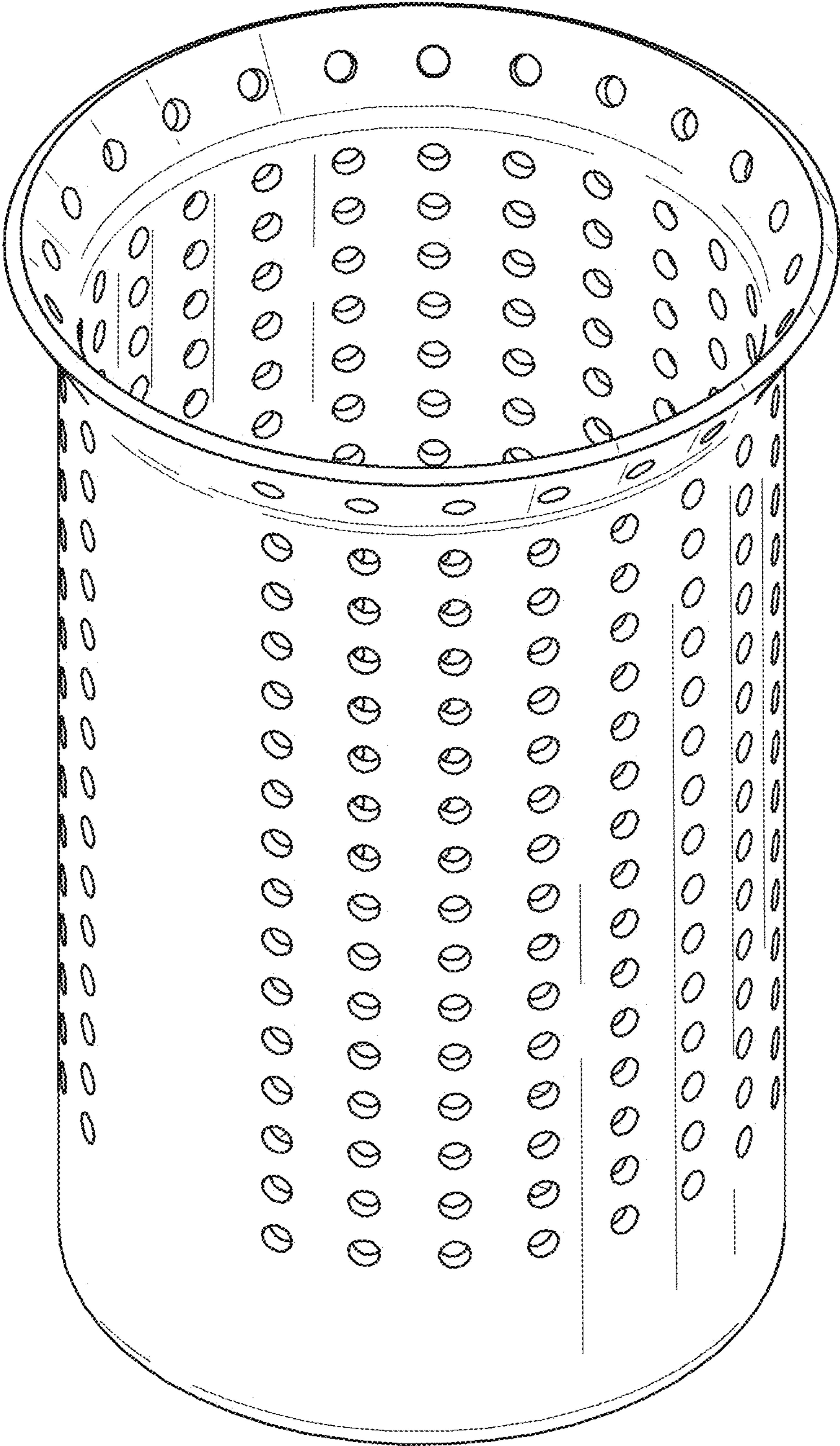


FIG. 2

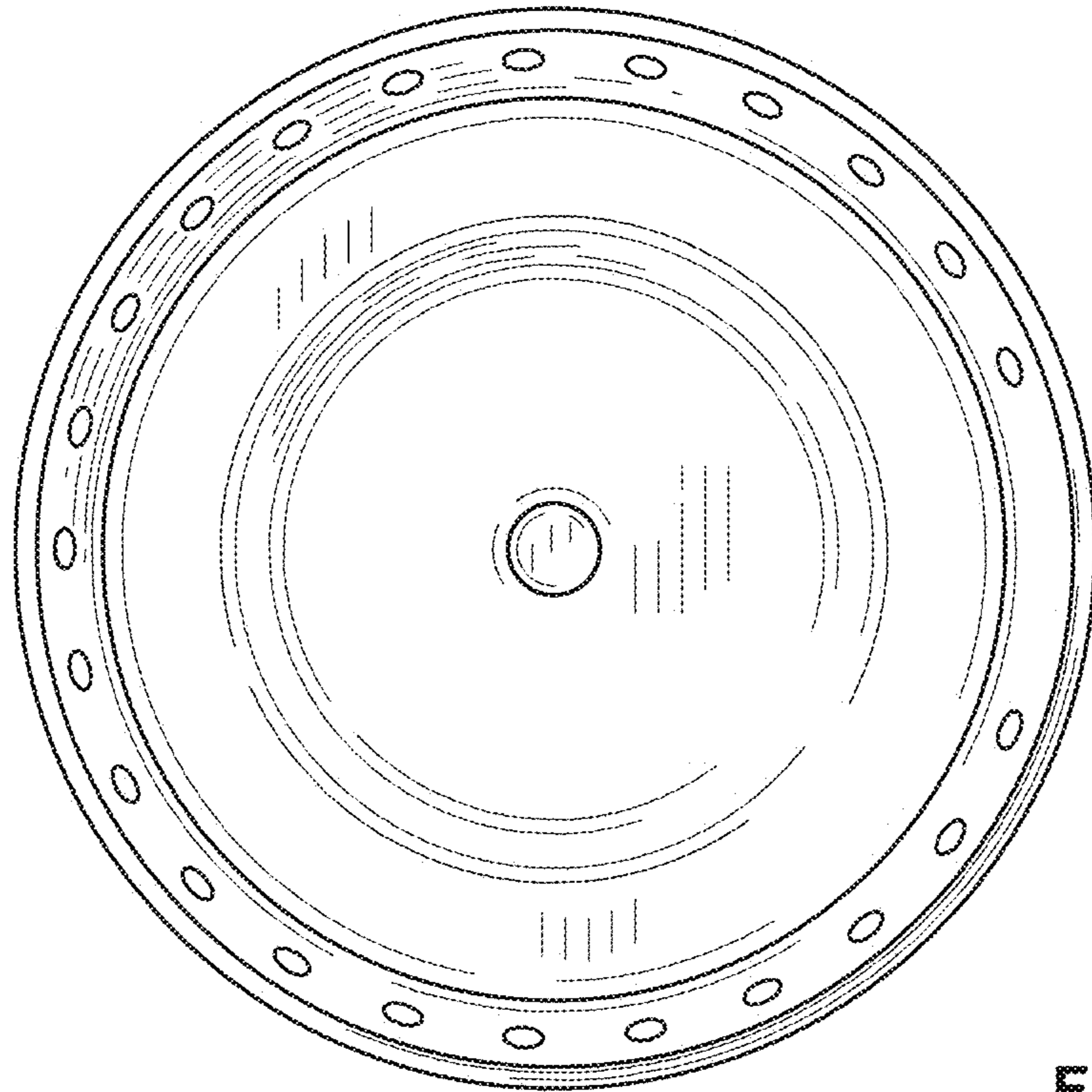


FIG. 3

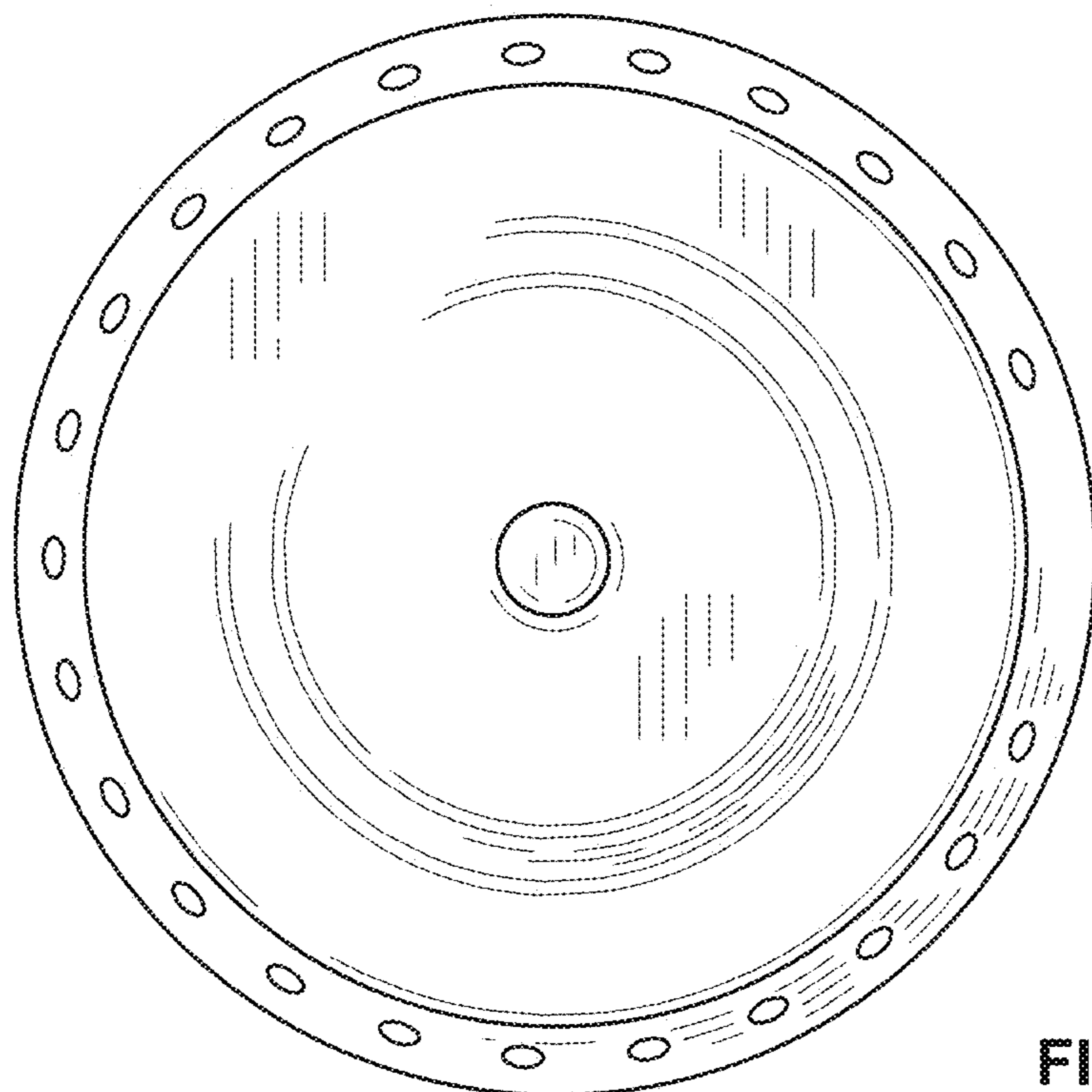


FIG. 4

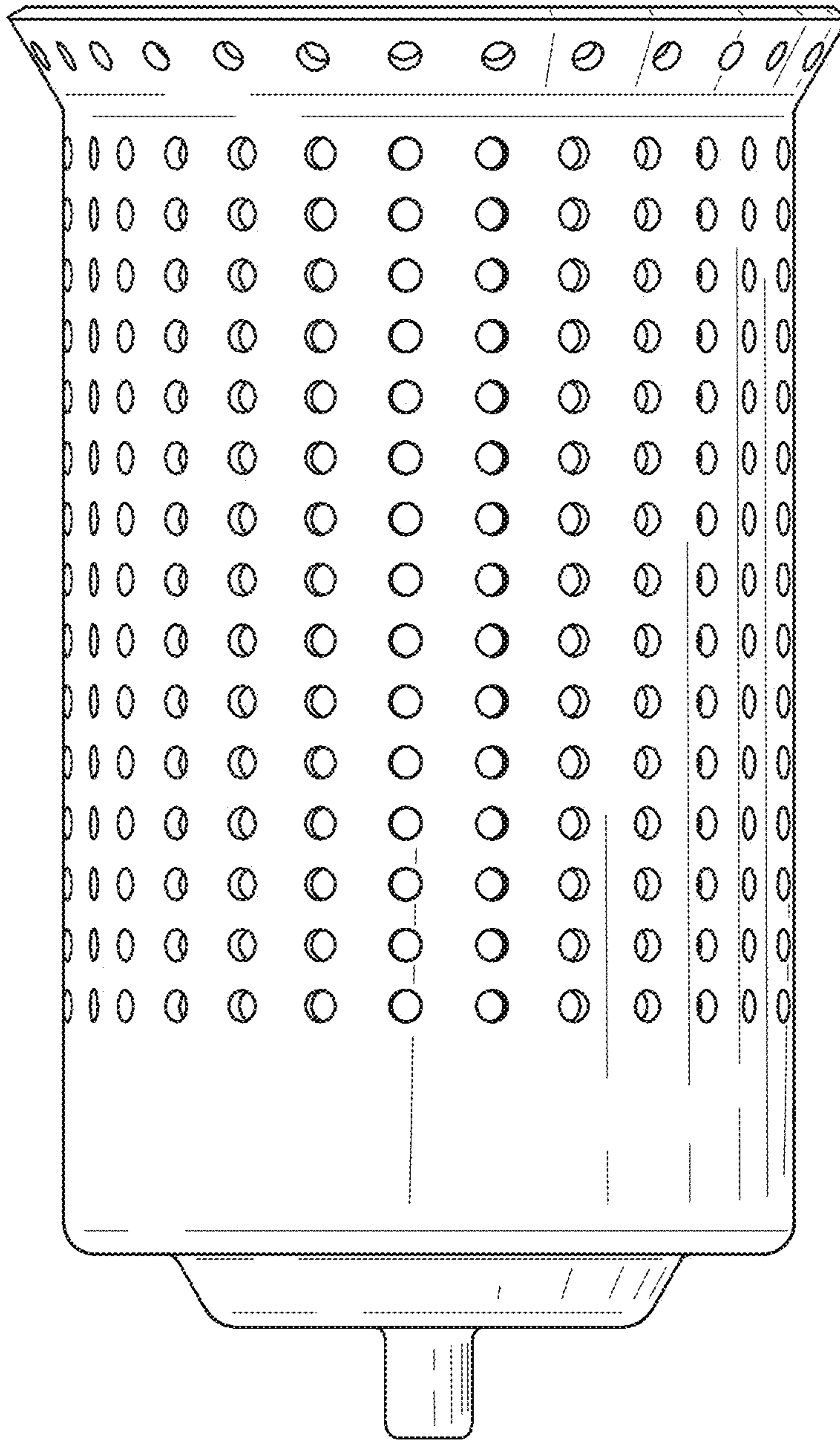


FIG. 5

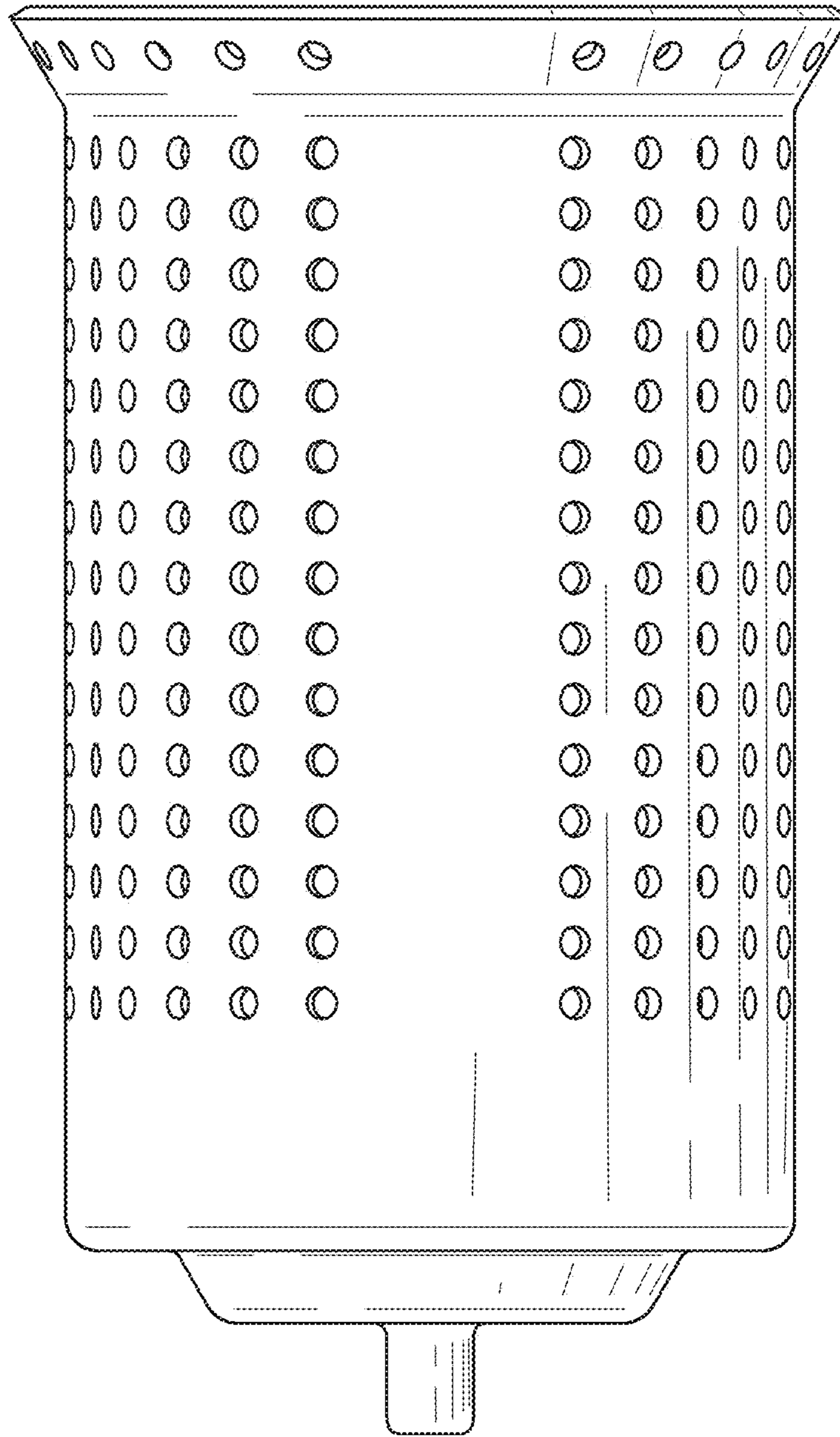


FIG. 6

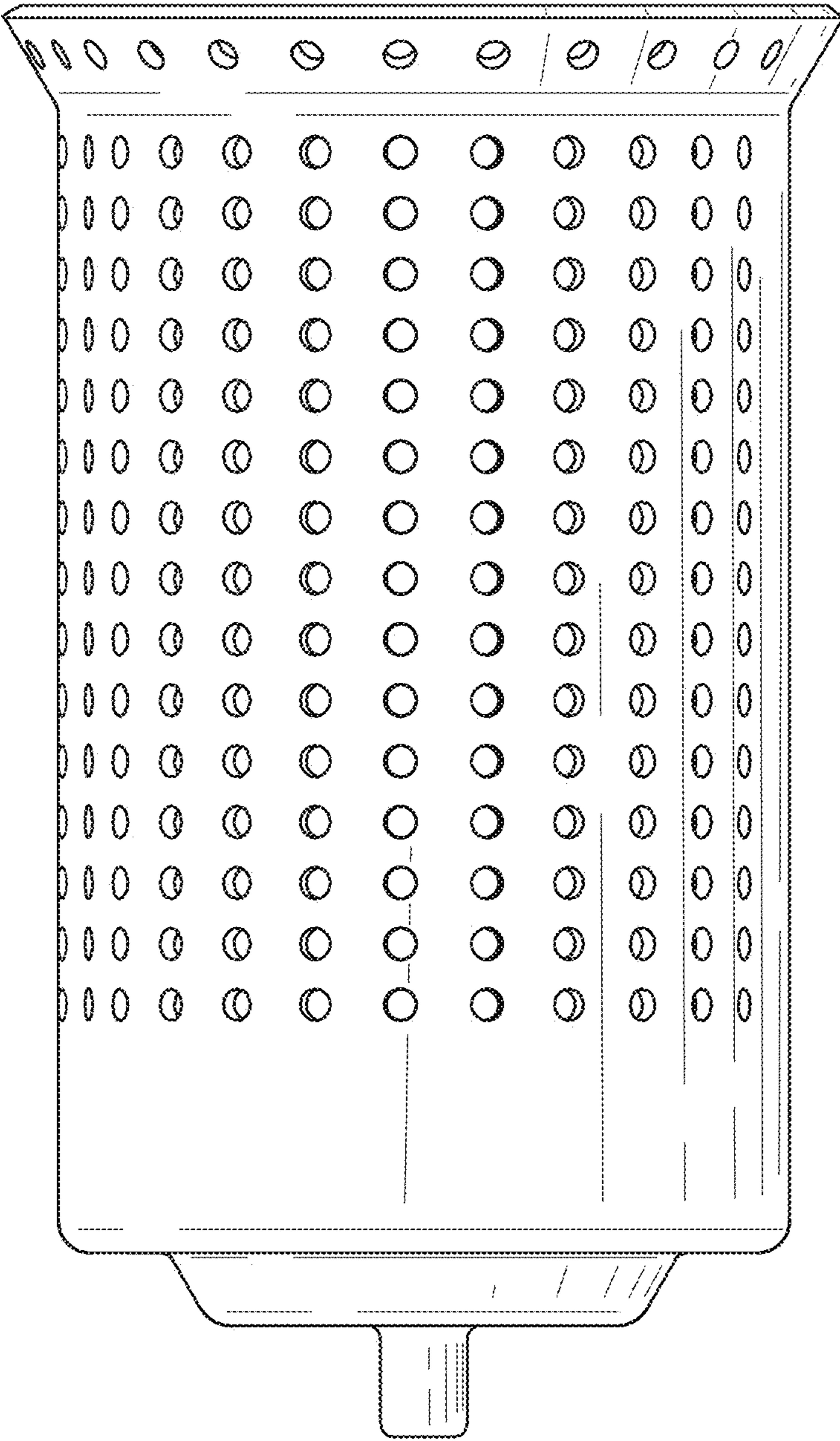


FIG. 7

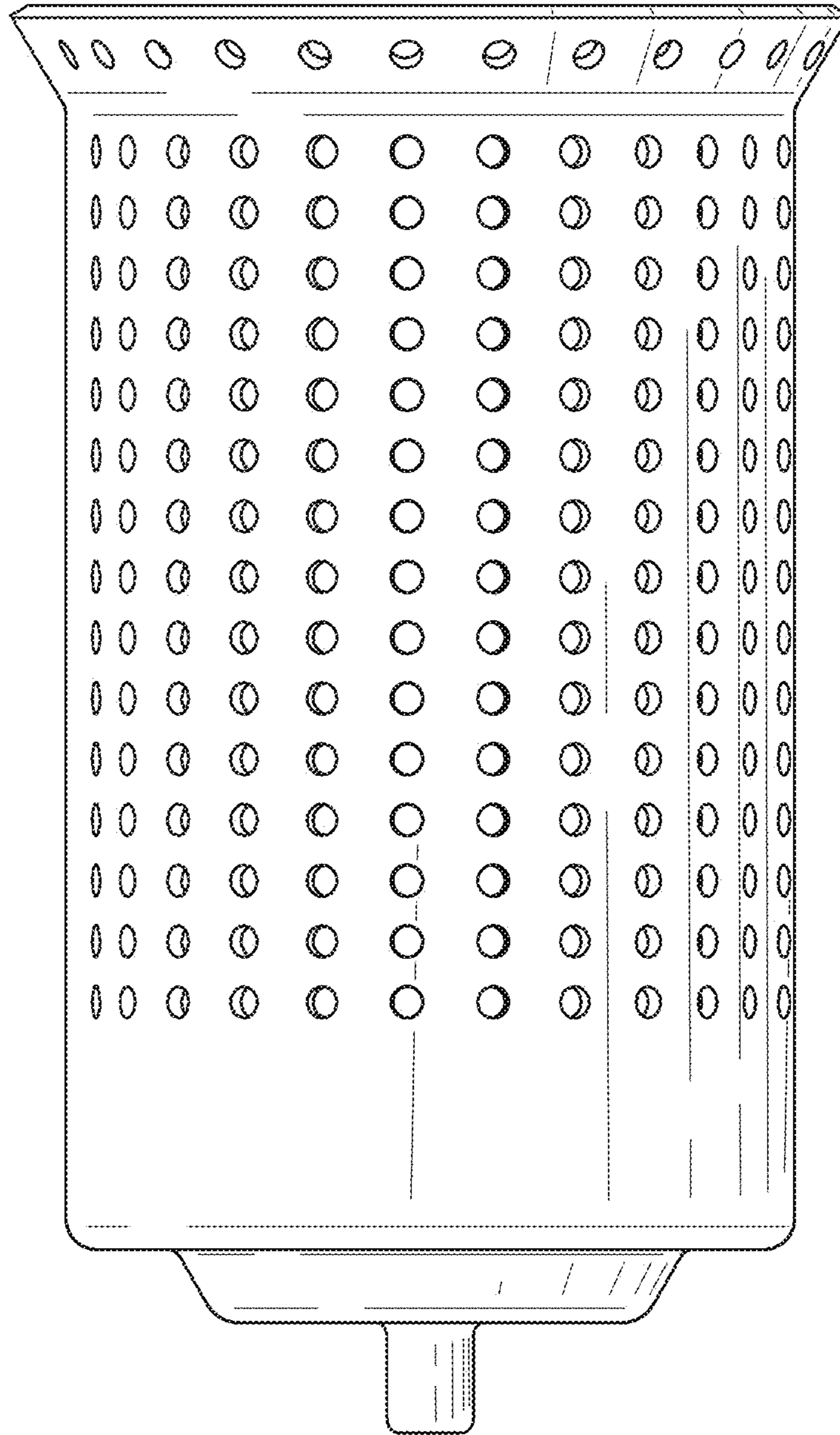


FIG. 8