



US00D911401S

(12) **United States Design Patent**
Gou

(10) **Patent No.:** **US D911,401 S**

(45) **Date of Patent:** **** Feb. 23, 2021**

(54) **SOLDERING IRON HEATER HOLDER**

(71) Applicant: **Guangzhou Yihua Electronic Equipment Co., Ltd., Guangdong (CN)**

(72) Inventor: **Mingkang Gou, Guangdong (CN)**

(73) Assignee: **Guangzhou Yihua Electronic Equipment Co., Ltd., Guangdong (CN)**

(**) Term: **15 Years**

(21) Appl. No.: **29/706,486**

(22) Filed: **Sep. 20, 2019**

(51) **LOC (13) Cl.** **15-09**

(52) **U.S. Cl.**
USPC **D15/144; D15/144.2**

(58) **Field of Classification Search**
USPC D8/30, 107, 14.1, 29.1, 61, 68; D15/21,
D15/123, 138, 144, 144.1, 144.2;
D19/101, 156, 163-165, 194
CPC B23K 3/027
See application file for complete search history.

(56) **References Cited**

U.S. PATENT DOCUMENTS

D457,954 S *	5/2002	Wallace	D24/130
D471,234 S *	3/2003	Okutani	D19/194
D536,009 S *	1/2007	MacKenzie	D15/144
D549,255 S *	8/2007	Axinte	D15/144
D581,046 S *	11/2008	Sudo	D24/130
D584,357 S *	1/2009	Oka	D19/194
D586,856 S *	2/2009	Yagyu	D19/194
D623,291 S *	9/2010	Strong	D24/130

D691,261 S *	10/2013	Kawamura	D24/130
D717,948 S *	11/2014	Strong	D24/130
D744,561 S *	12/2015	Hassan	D15/144
D775,953 S *	1/2017	Ruthe-Steinsiek	D9/453
D832,322 S *	10/2018	Gou	D15/144
D838,363 S *	1/2019	Katagiri	D24/127
D839,423 S *	1/2019	Großer et al.	D24/130
D846,009 S *	4/2019	Takemura	D15/144
D858,756 S *	9/2019	Katagiri	D24/130
D862,546 S *	10/2019	Becket	D15/144
D863,705 S *	10/2019	Gou	D32/35

* cited by examiner

Primary Examiner — Michael C Stout

Assistant Examiner — Fritzgerald L Butac

(74) *Attorney, Agent, or Firm* — Lucas & Mercanti, LLP

(57) **CLAIM**

The ornamental design for a soldering iron heater holder, as shown and described.

DESCRIPTION

FIG. 1 is a top, rear, and right perspective view of the soldering iron heater holder;

FIG. 2 is a front top, front, and right perspective view thereof;

FIG. 3 is a front view thereof;

FIG. 4 is a rear view thereof;

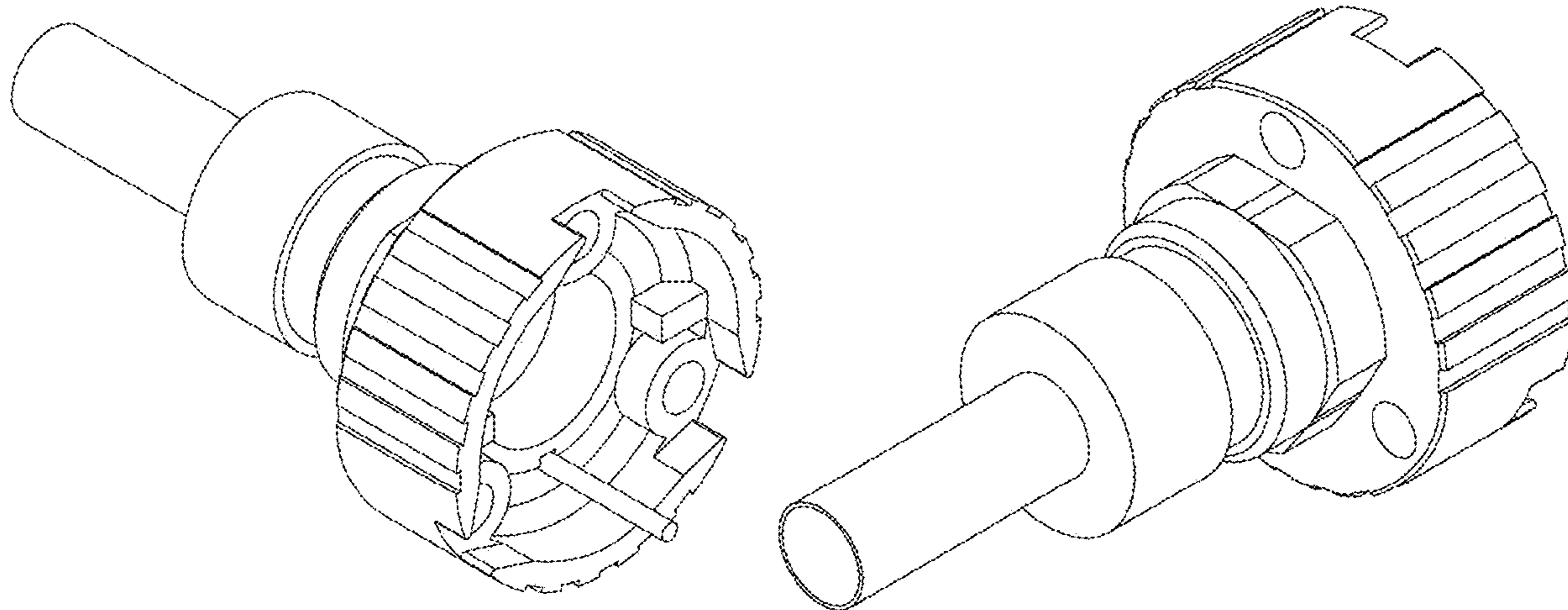
FIG. 5 is a right side view, with the left side being a mirror image thereof;

FIG. 6 is a top view thereof; and,

FIG. 7 is a bottom view thereof.

The broken lines show portions of a soldering iron heater holder which form no part of the claimed design.

1 Claim, 7 Drawing Sheets



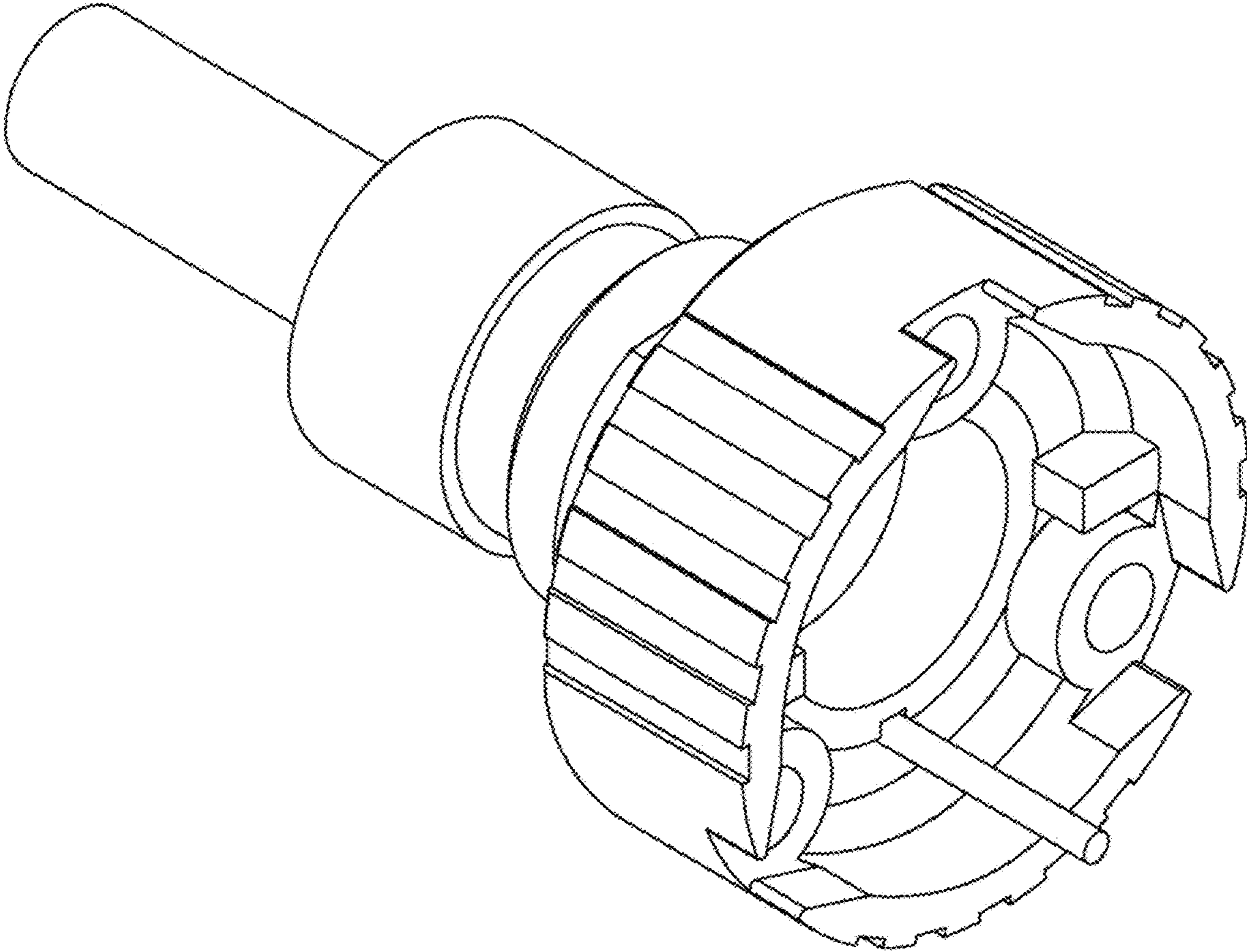
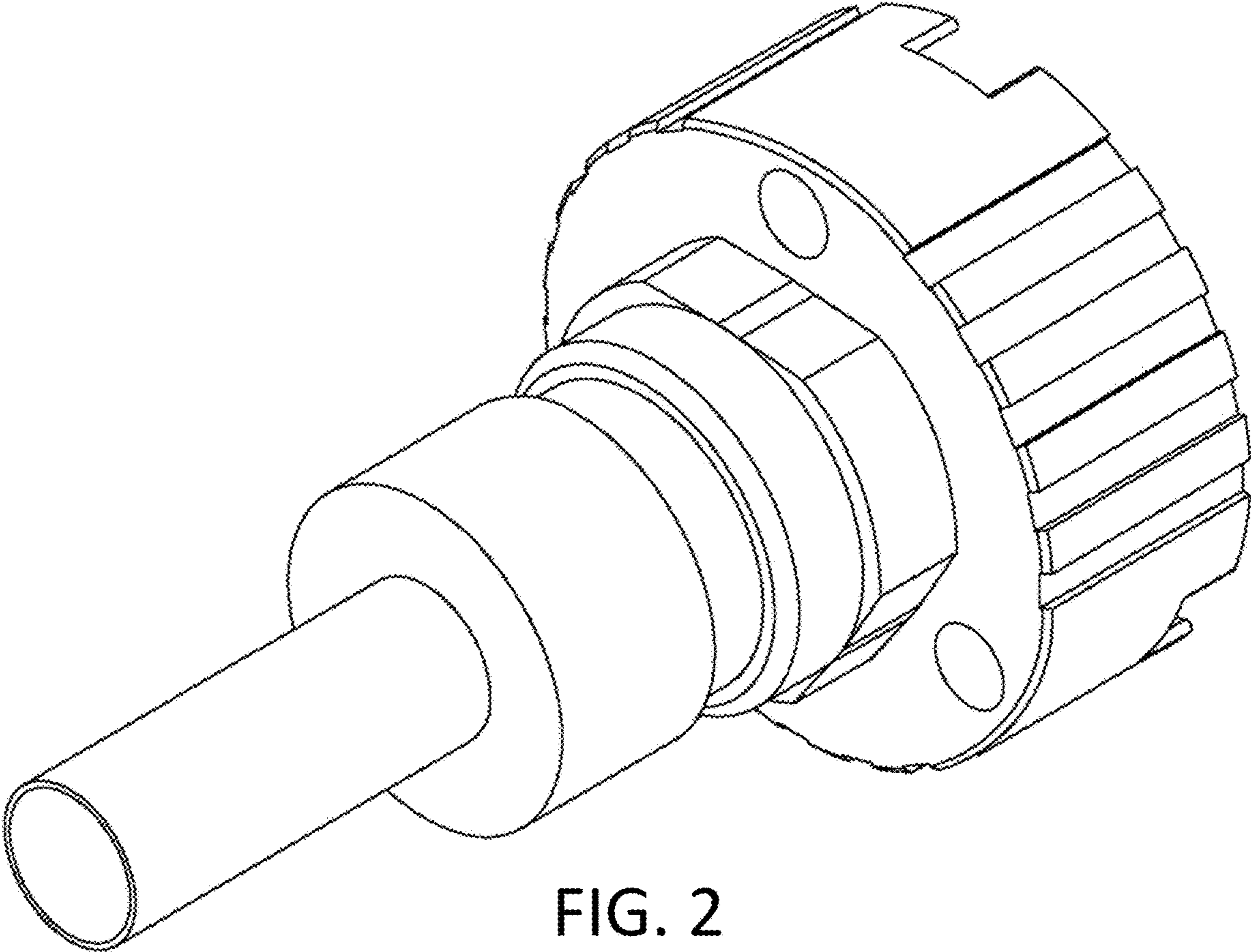


FIG. 1



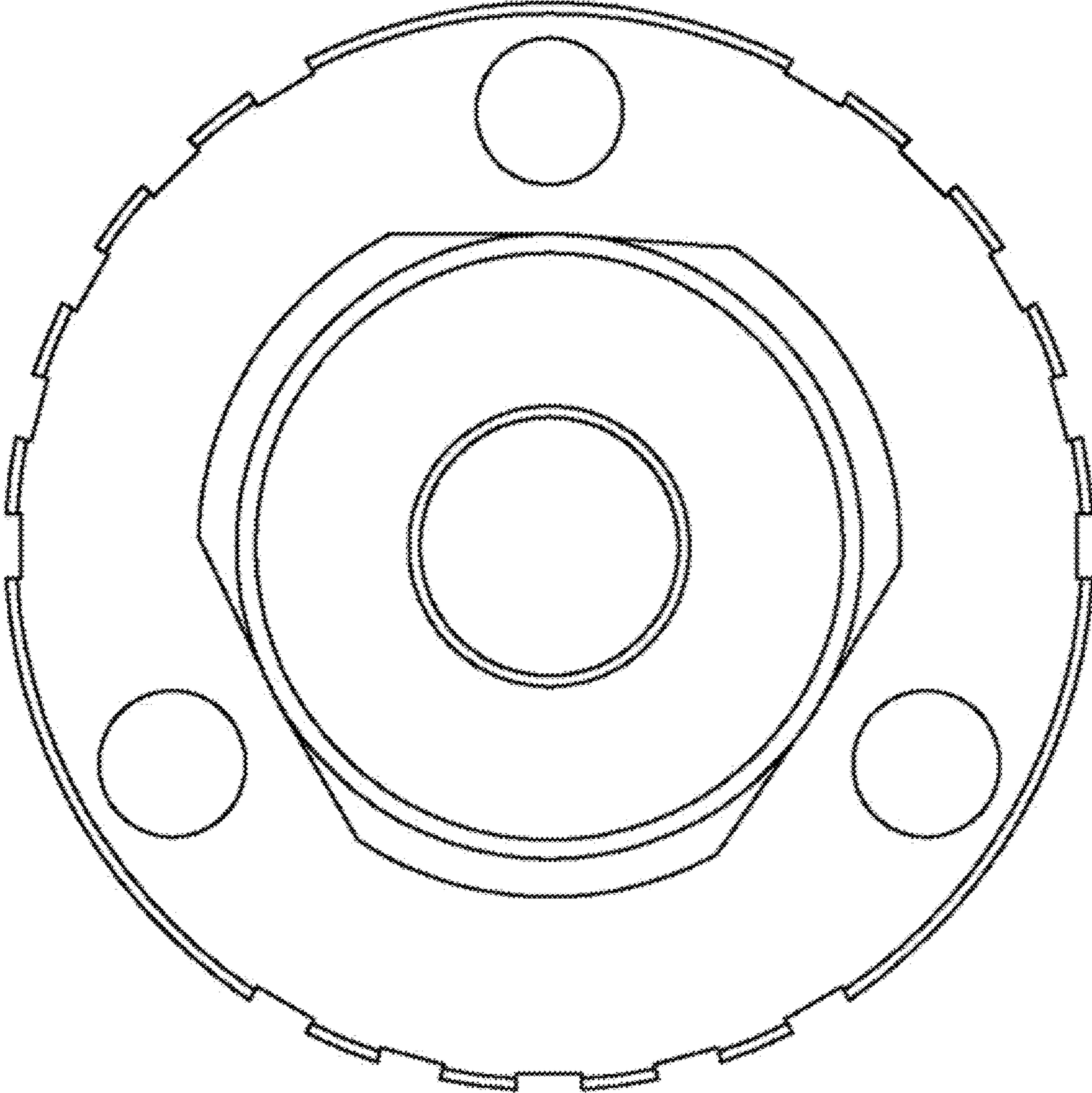


FIG. 3

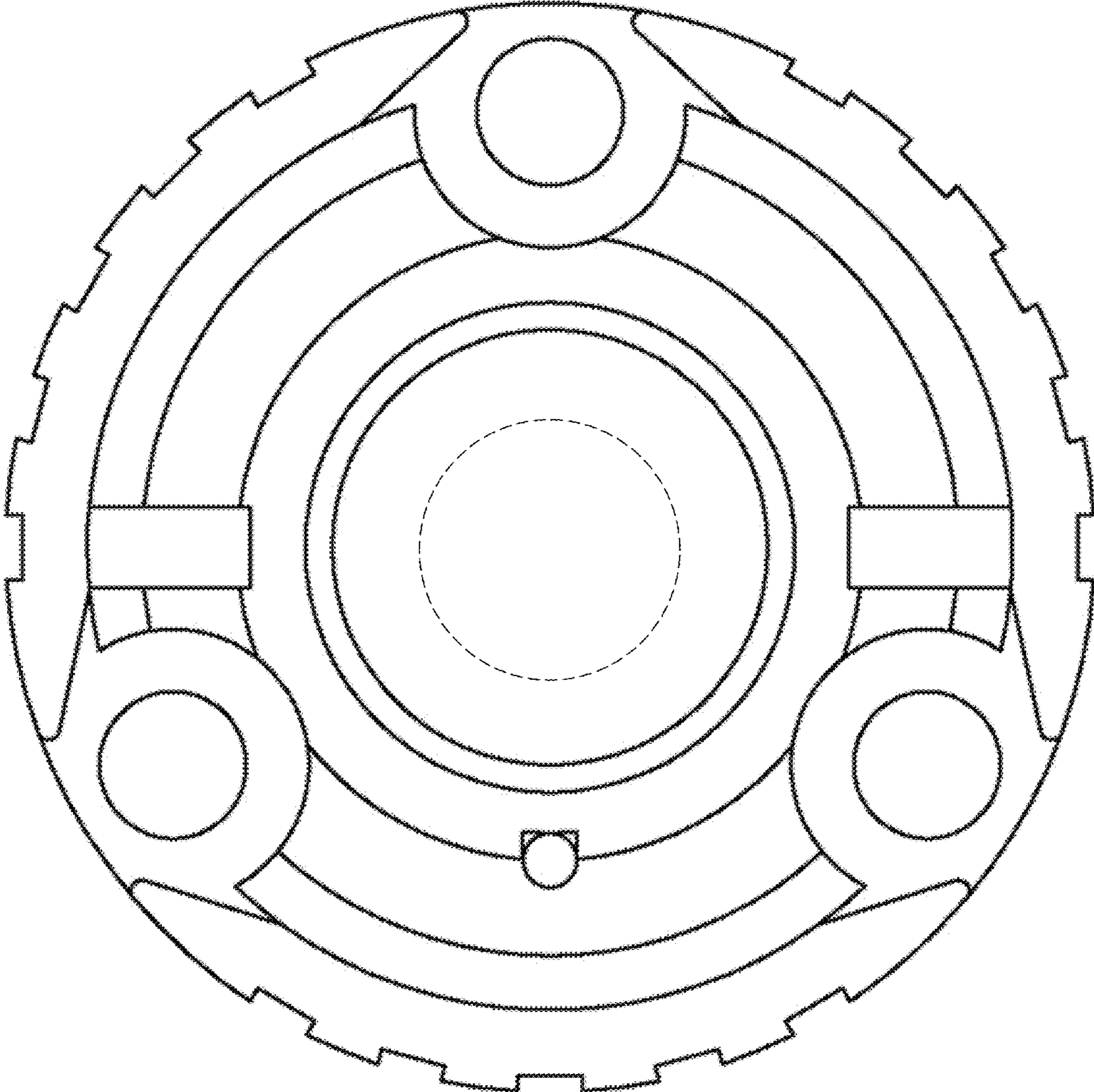


FIG. 4

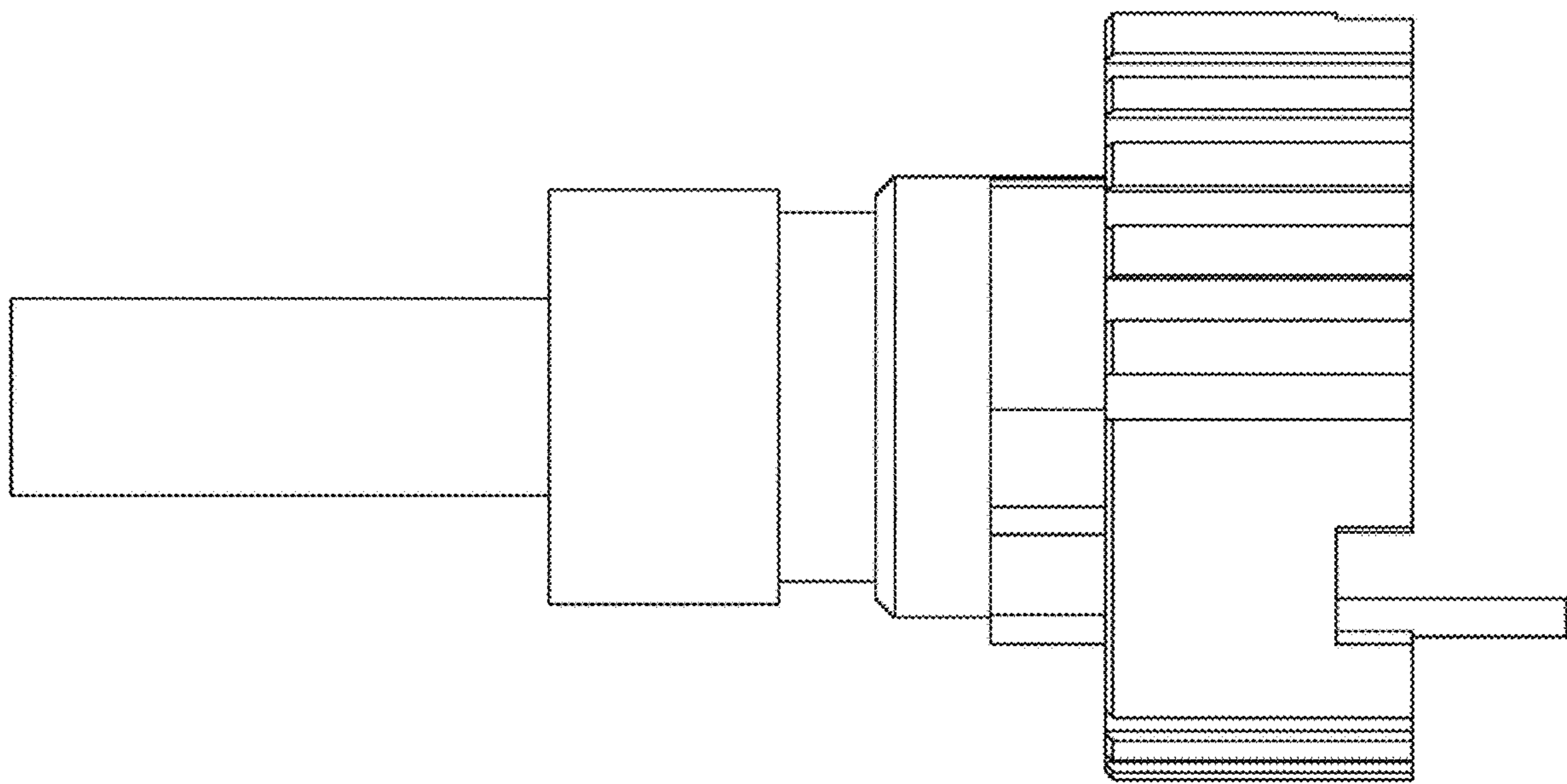


FIG. 5

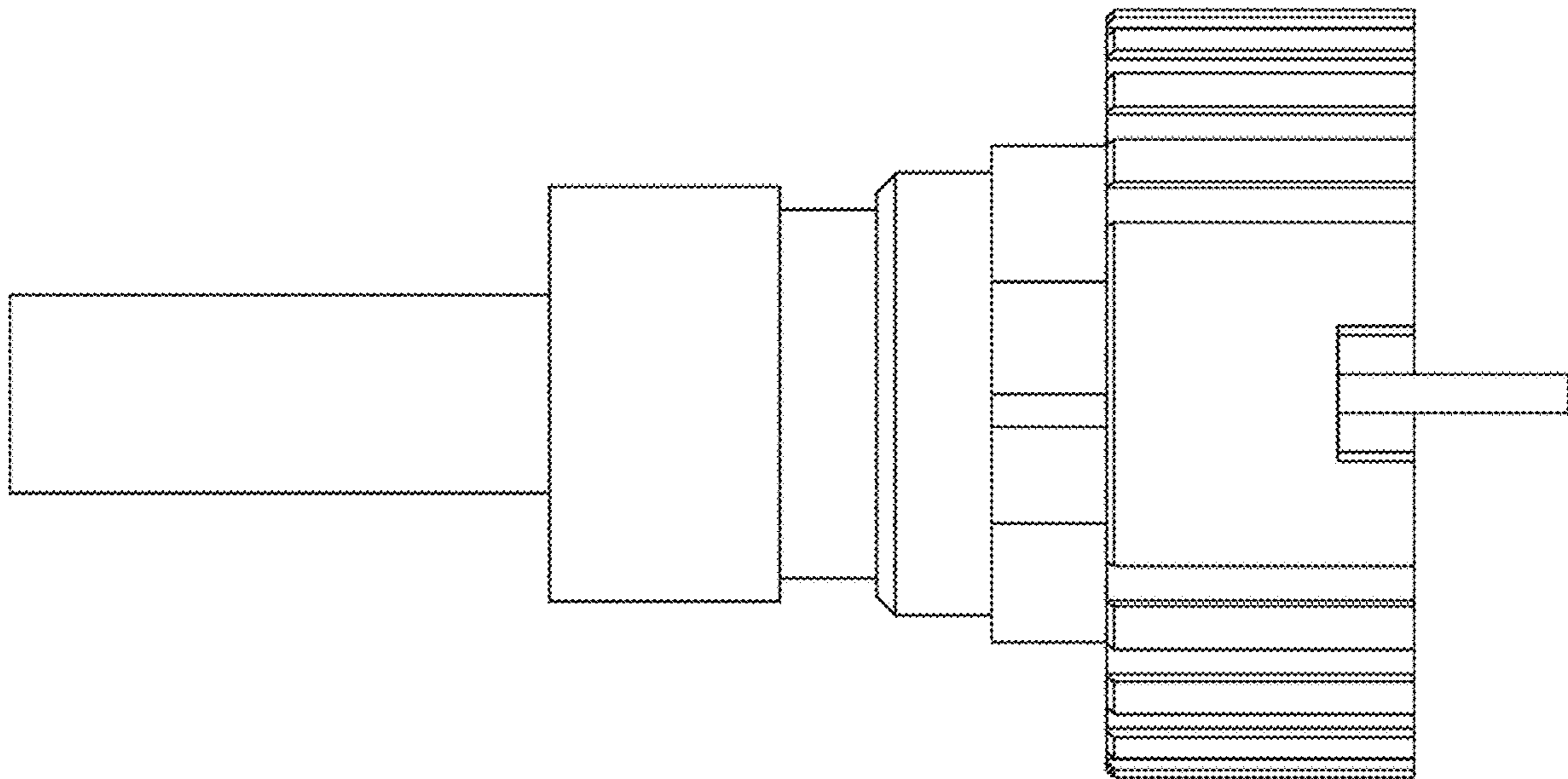


FIG. 6

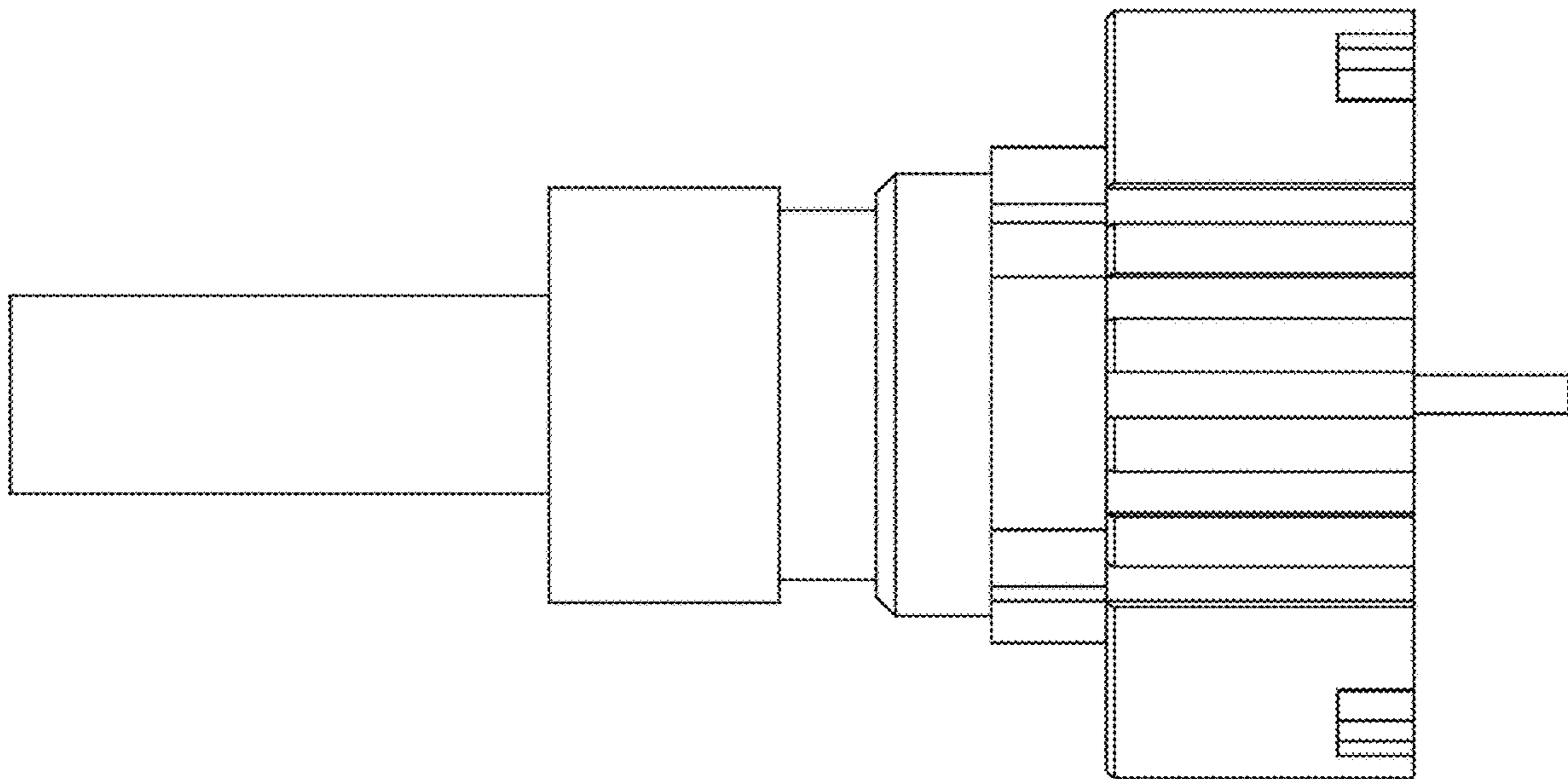


FIG. 7