



US00D911400S

(12) **United States Design Patent** (10) **Patent No.:** **US D911,400 S**  
**Tsai** (45) **Date of Patent:** **\*\* Feb. 23, 2021**

(54) **GAS COMBUSTOR**  
 (71) Applicant: **ROBURN COMPANY LTD.**, New Taipei (TW)  
 (72) Inventor: **Chin-Lin Tsai**, New Taipei (TW)  
 (73) Assignee: **ROBURN COMPANY LTD.**, New Taipei (TW)  
 (\*\*) Term: **15 Years**

D515,356 S \* 2/2006 Chen ..... D27/154  
 D519,800 S \* 5/2006 Glover ..... D8/29.1  
 D531,354 S \* 10/2006 Kassir ..... D27/154  
 D587,975 S \* 3/2009 Aronson, II ..... D15/144  
 D667,993 S \* 9/2012 Lin ..... D27/139  
 D667,994 S \* 9/2012 Lin ..... D27/139  
 D687,690 S \* 8/2013 Chen ..... D8/105  
 D826,025 S \* 8/2018 Harrington ..... D8/107  
 D844,405 S \* 4/2019 Shen ..... D8/29.1  
 D847,232 S \* 4/2019 Zahriya ..... D15/144  
 D861,429 S \* 10/2019 Lin ..... D7/416  
 D867,413 S \* 11/2019 Tsai ..... D15/144  
 D868,857 S \* 12/2019 Wu ..... D15/144  
 D882,654 S \* 4/2020 Tsai ..... D15/144

(21) Appl. No.: **29/693,887**

\* cited by examiner

(22) Filed: **Jun. 5, 2019**

*Primary Examiner* — Michael C Stout

*Assistant Examiner* — Fritzgerald L Butac

(30) **Foreign Application Priority Data**

(74) *Attorney, Agent, or Firm* — Guice Patents PLLC

Dec. 26, 2018 (TW) ..... 107307611

(51) **LOC (13) Cl.** ..... **15-09**

(52) **U.S. Cl.**  
USPC ..... **D15/144; D7/416**

(58) **Field of Classification Search**  
USPC ..... D7/416; D8/29, 29.1, 29.2, 30, 68, 107;  
D15/144, 144.1, 144.2; D27/139, 154,  
D27/157

CPC ..... B23K 9/0956; B23K 9/10; B23K 9/173;  
B23K 9/285; B23K 9/295; B23K 9/32  
See application file for complete search history.

(56) **References Cited**

**U.S. PATENT DOCUMENTS**

D376,302 S \* 12/1996 Tsai ..... D8/29.1  
 D456,428 S \* 4/2002 Aronson, II ..... D15/144  
 D477,747 S \* 7/2003 Hsu ..... D7/416

(57) **CLAIM**

The ornamental design for a gas combustor, as shown and described.

**DESCRIPTION**

FIG. 1 is a perspective view of a gas combustor showing the design;

FIG. 2 is a front side elevation view thereof;

FIG. 3 is a rear side elevation view thereof;

FIG. 4 is a left side elevation view thereof;

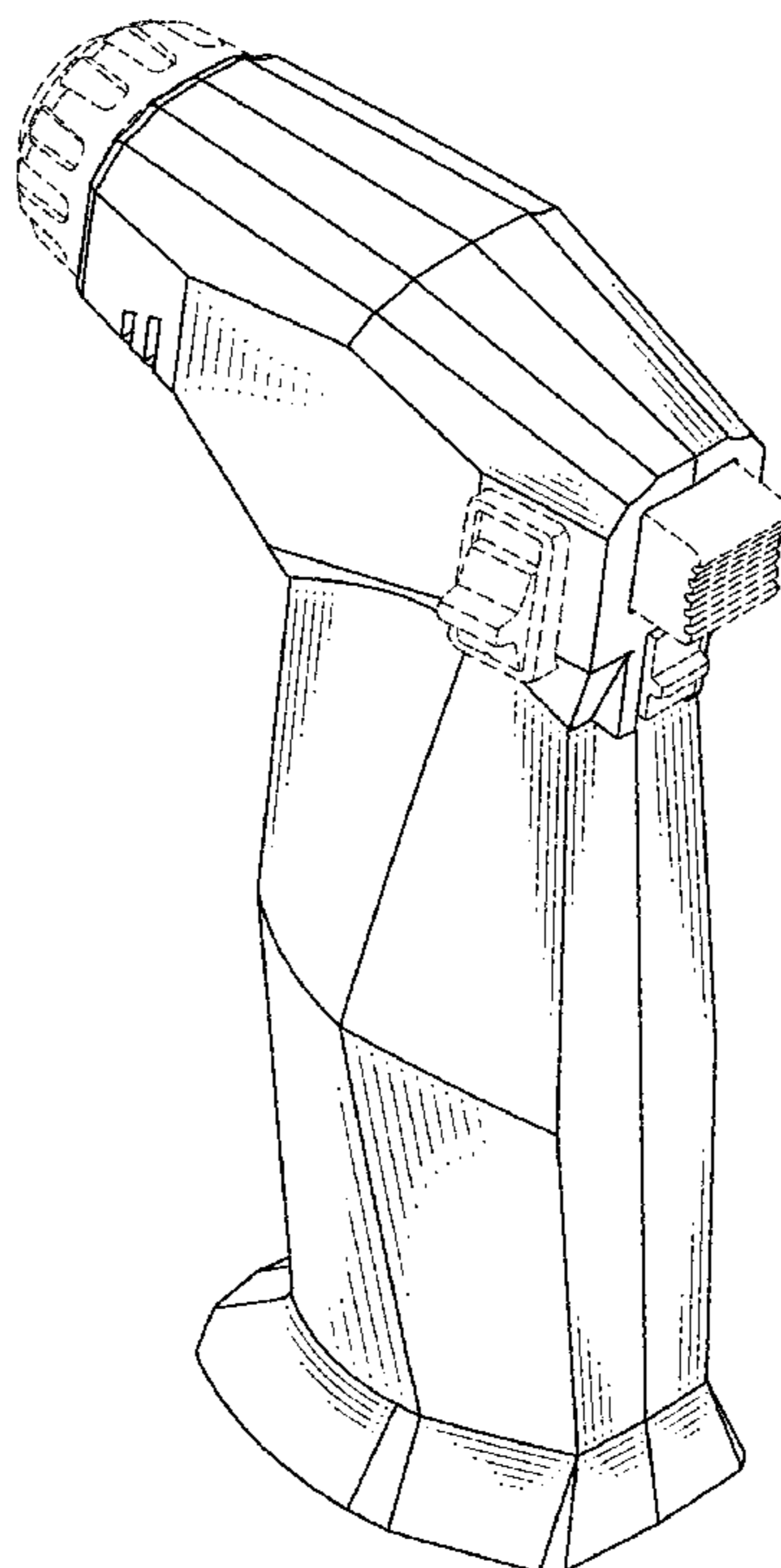
FIG. 5 is a right side elevation view thereof;

FIG. 6 is a top plan view thereof; and,

FIG. 7 is a bottom plan view thereof.

The broken lines show portions of a gas combustor that form no part of the claimed design.

**1 Claim, 5 Drawing Sheets**



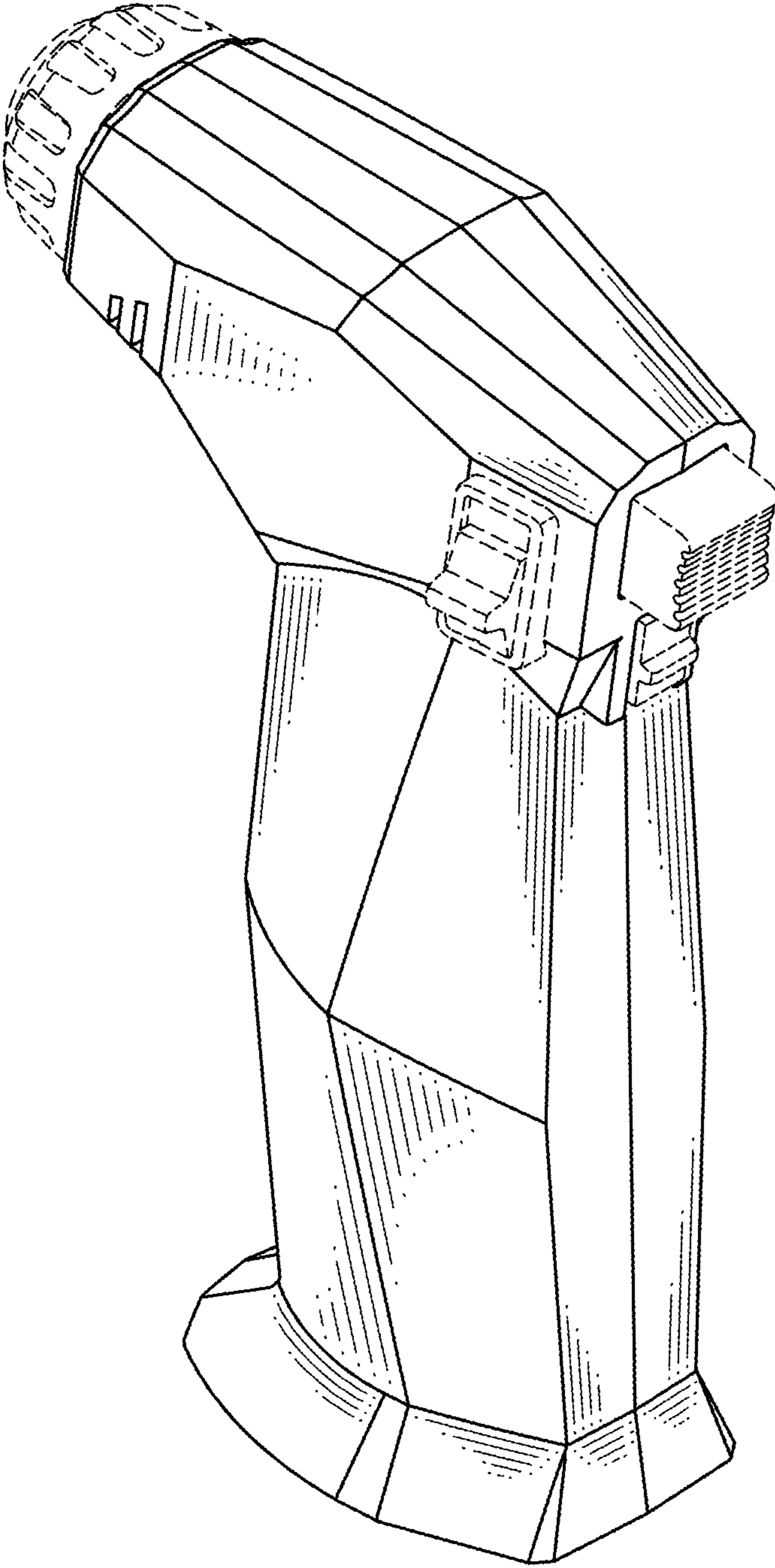


FIG. 1

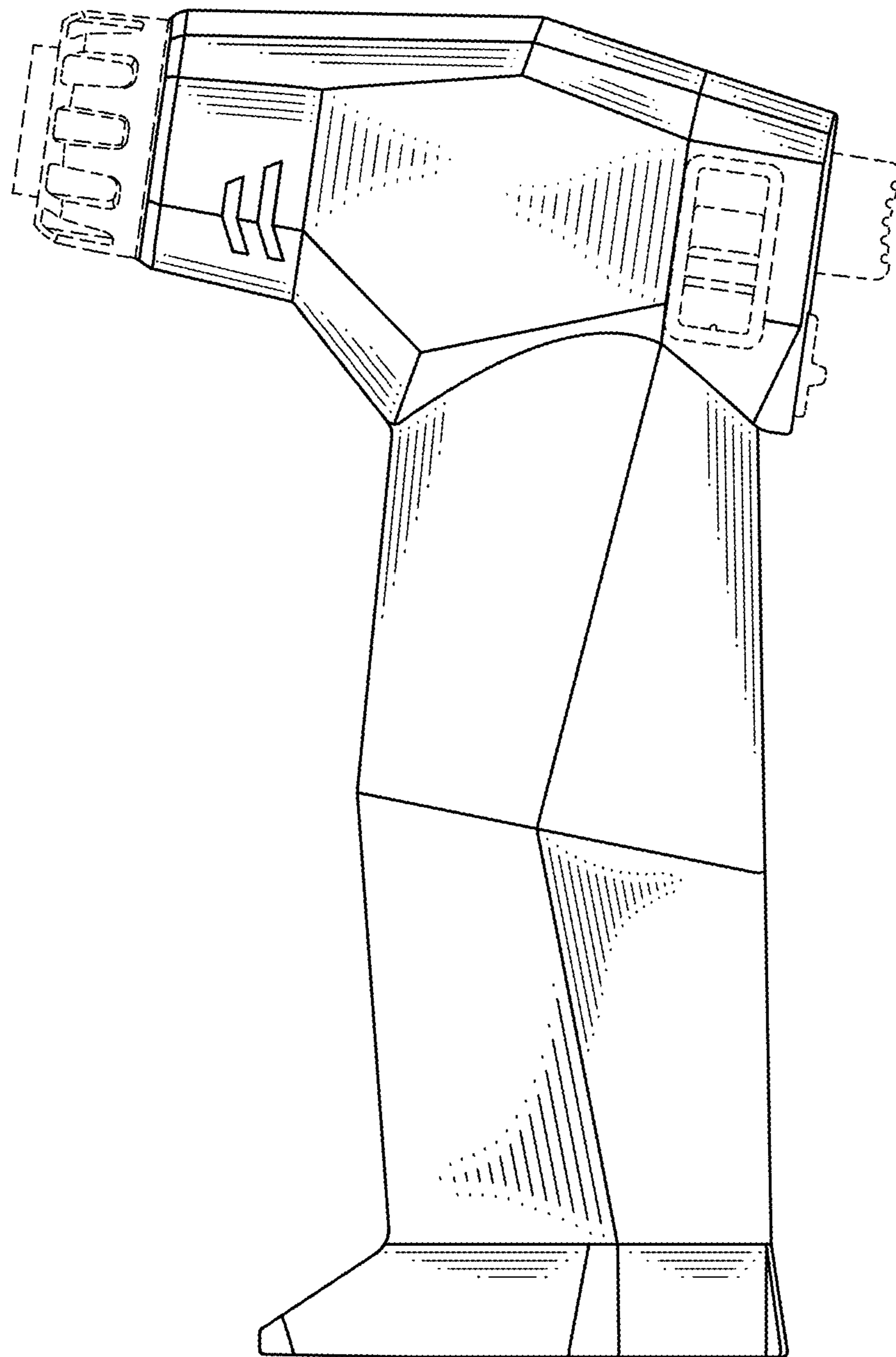


FIG. 2

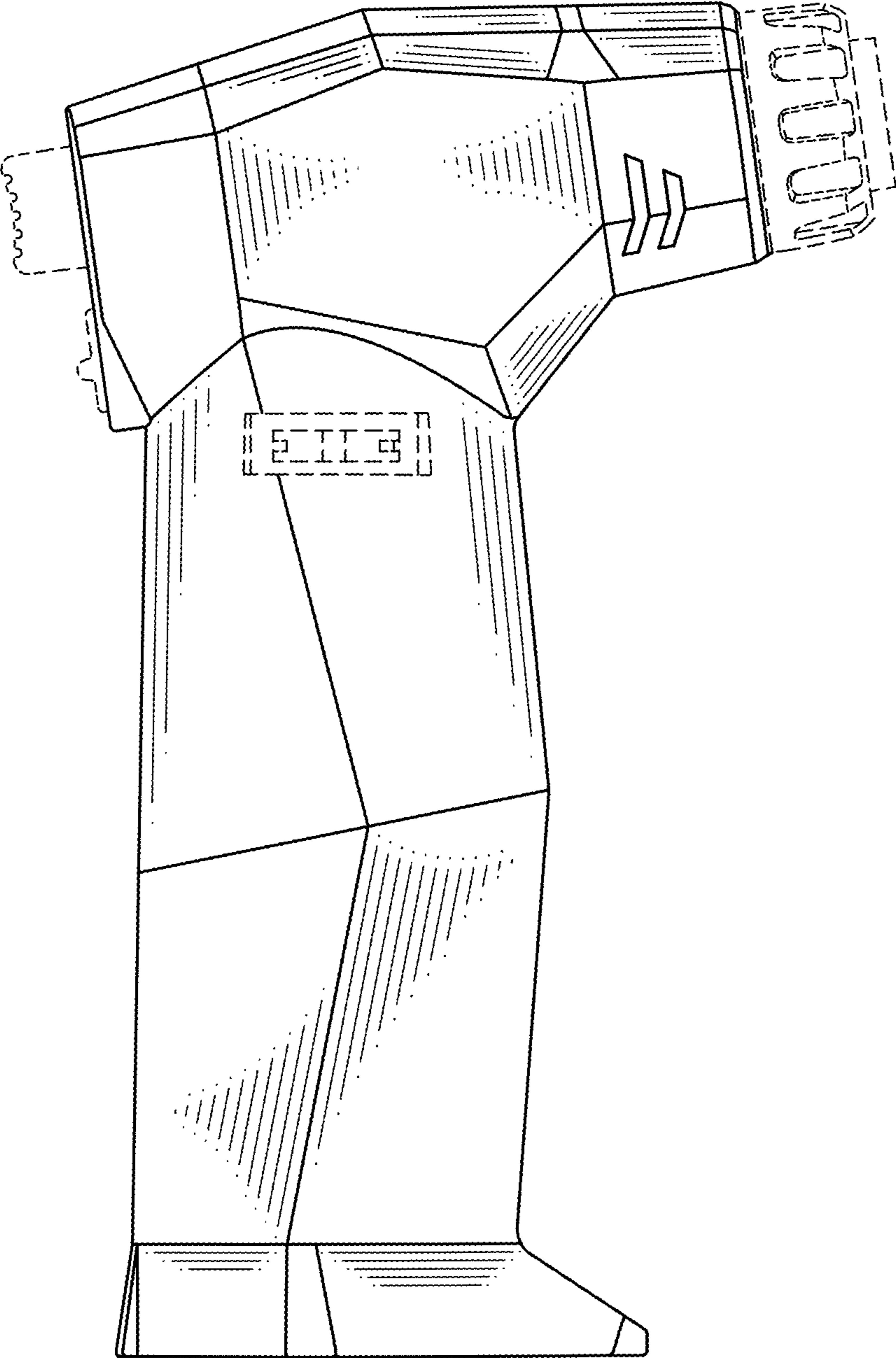


FIG. 3

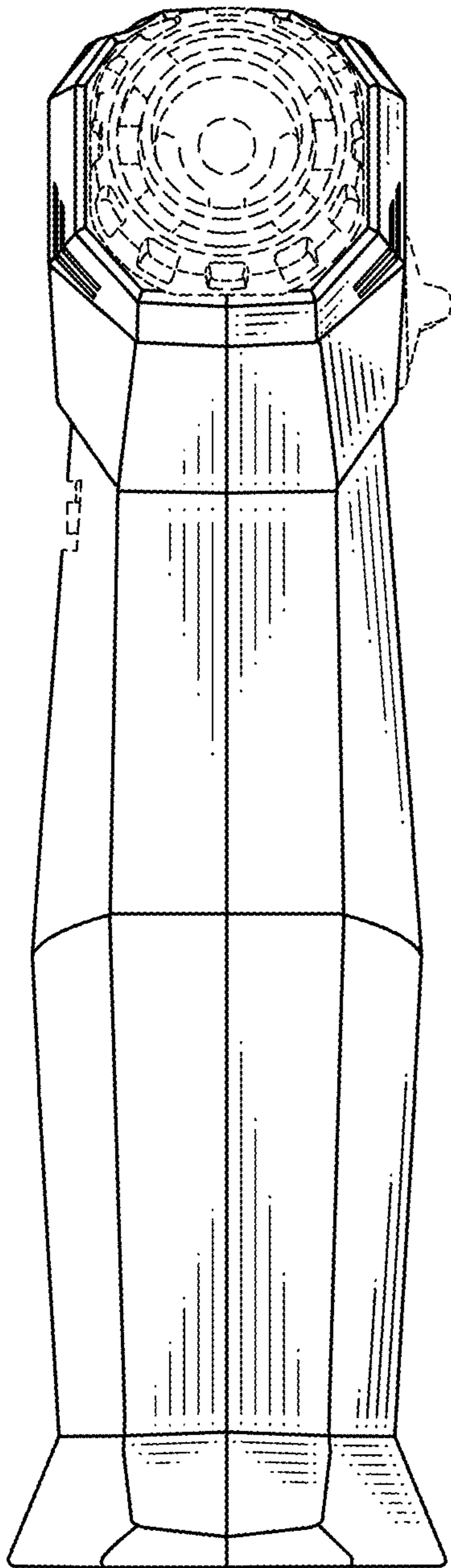


FIG. 4

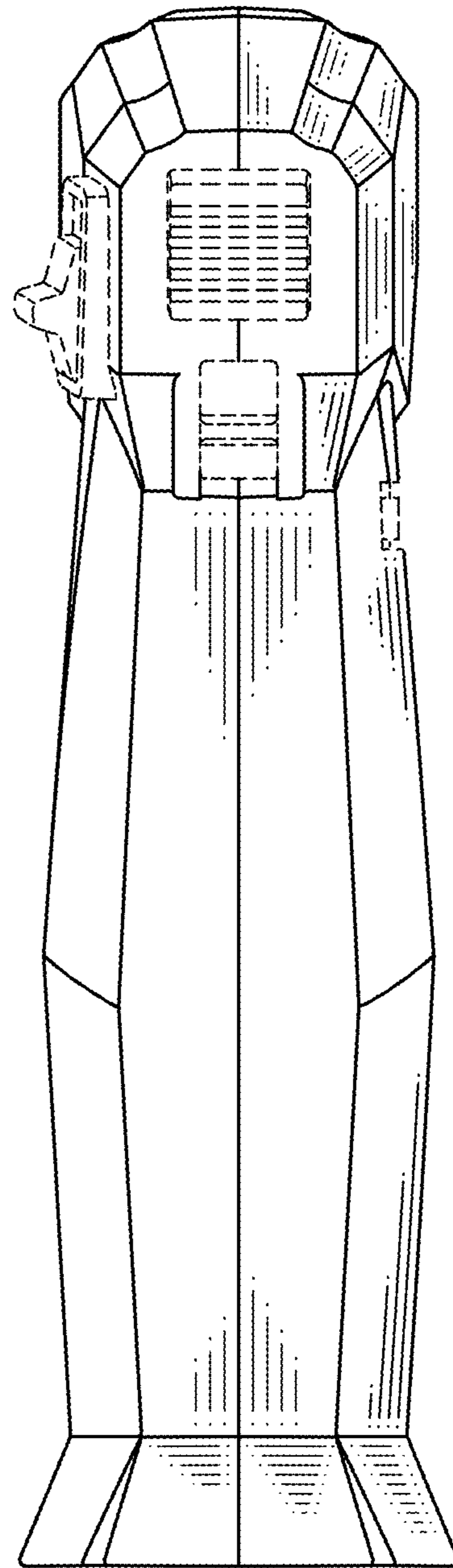


FIG. 5

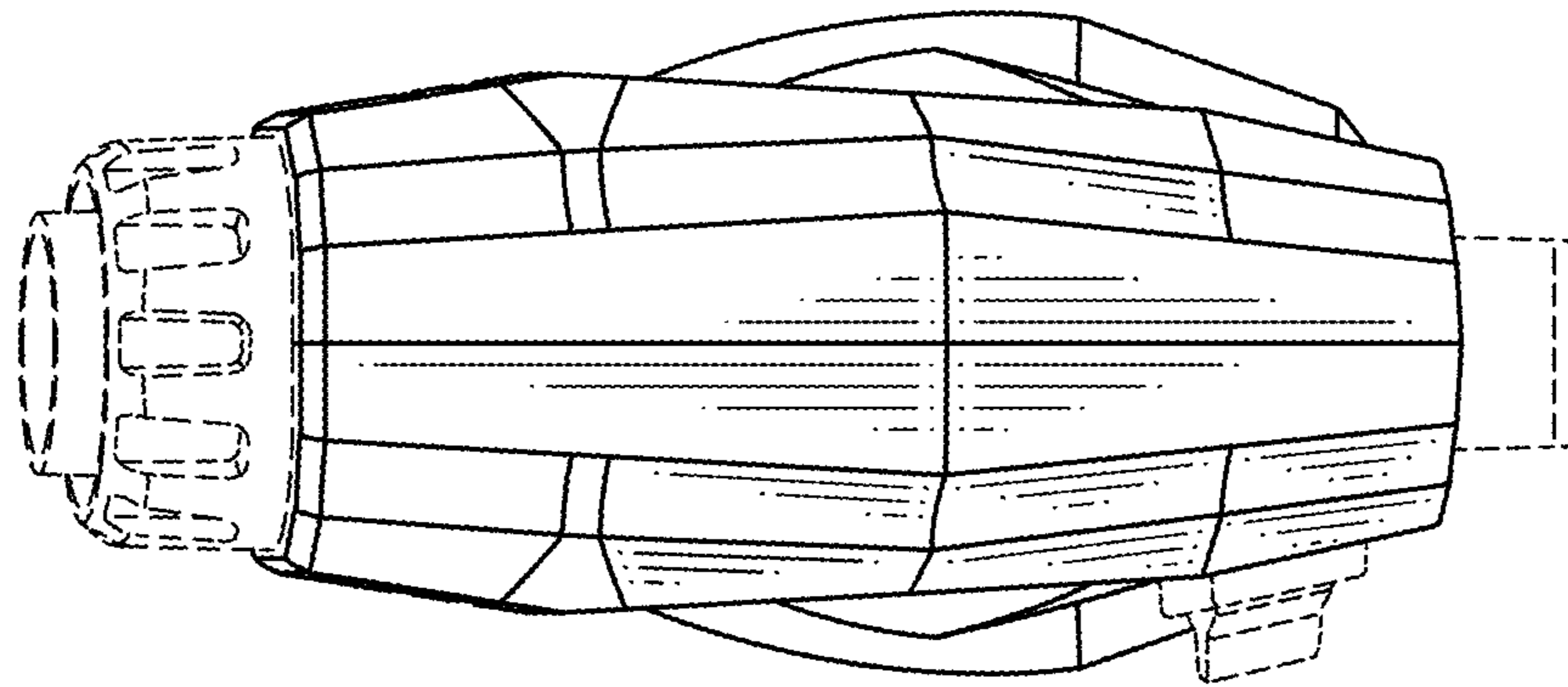


FIG. 6

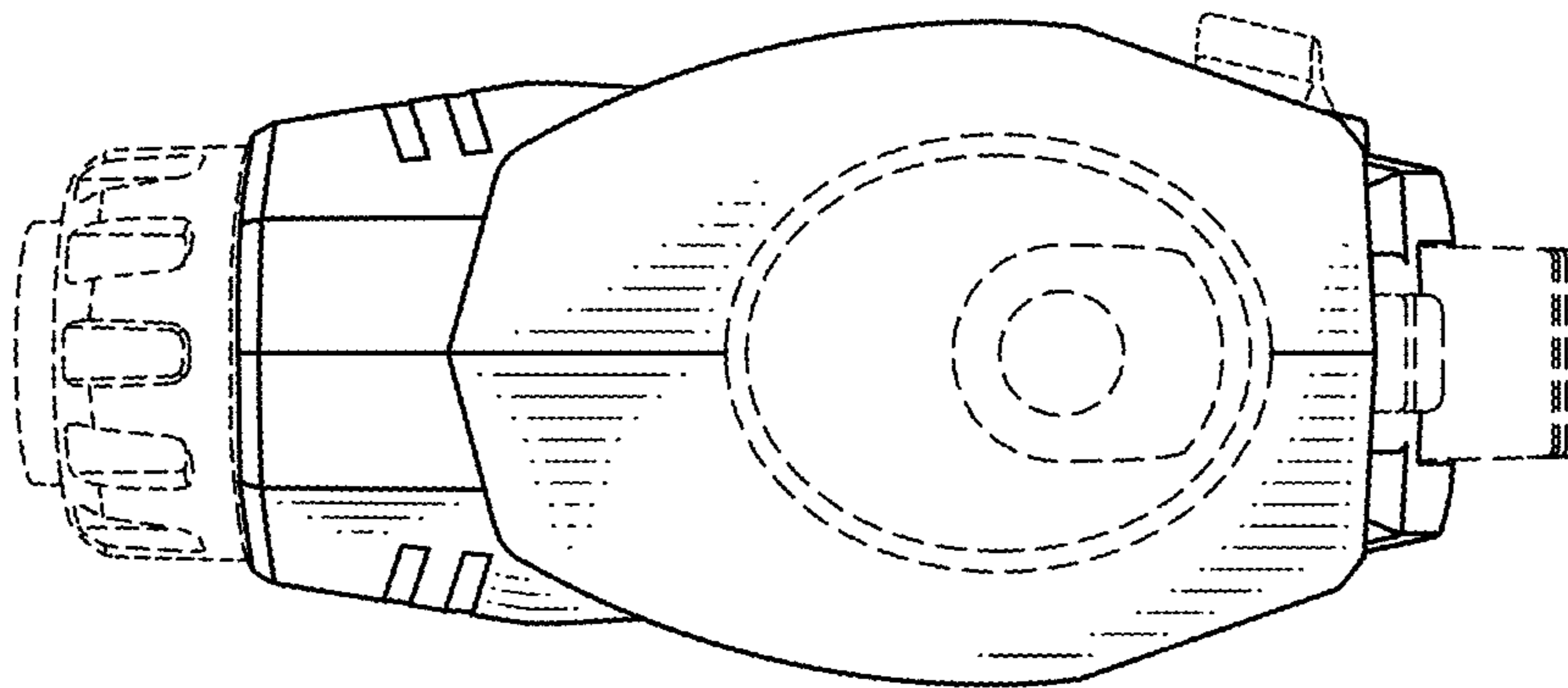


FIG. 7