



US00D911396S

(12) **United States Design Patent**
Ninomiya et al.

(10) **Patent No.:** **US D911,396 S**

(45) **Date of Patent:** **** Feb. 23, 2021**

(54) **WHEEL LOADER**

D410,930 S * 6/1999 Kim D15/25
D540,352 S * 4/2007 Sato D15/25
D549,738 S * 8/2007 Hiraoka D15/25

(Continued)

(71) Applicant: **Hitachi Construction Machinery Co., Ltd.**, Tokyo (JP)

(72) Inventors: **Atsushi Ninomiya**, Tokyo (JP); **Yusuke Daimon**, Tokyo (JP); **Katsumi Usami**, Tokyo (JP); **Hiroyuki Ishida**, Ibaraki (JP); **Takatomo Ohno**, Ibaraki (JP); **Amane Yamada**, Ibaraki (JP); **Hisashi Nakamura**, Ibaraki (JP); **Ami Handa**, Ibaraki (JP)

FOREIGN PATENT DOCUMENTS

JP D1420513 S 8/2011
JP D1442230 S 5/2012

(73) Assignee: **Hitachi Construction Machinery Co., Ltd.**, Tokyo (JP)

OTHER PUBLICATIONS

“New Features on Large Doosan Wheel Loaders”, Apr. 24, 2018, Hub 4, <https://hub-4.com/news/new-features-on-large-dosan-wheel-loaders-1> (three (3) pages).

(Continued)

(**) Term: **15 Years**

Primary Examiner — Mark A Goodwin

(21) Appl. No.: **29/698,499**

(74) *Attorney, Agent, or Firm* — Crowell & Moring LLP

(22) Filed: **Jul. 17, 2019**

(57) **CLAIM**

(30) **Foreign Application Priority Data**

The ornamental design for a wheel loader, as shown and described.

Jan. 18, 2019 (JP) 2019-000936

(51) **LOC (13) Cl.** **12-09**

(52) **U.S. Cl.**
USPC **D15/25**

(58) **Field of Classification Search**
USPC D15/10, 22–26, 33, 28, 31; D21/431;
37/403, 409, 442, 443; 180/89.1, 89.12,
180/89.13; 296/190.03; 414/685, 694,
414/722, 724
CPC E02F 9/0841; E02F 3/3411; E02F 3/76;
E02F 3/34; E02F 3/00; E02F 7/00; B62D
21/186; B62D 53/028
See application file for complete search history.

DESCRIPTION

The file of this patent contains at least one drawing executed in color. Copies of this patent with color drawings will be provided by the United States Patent and Trademark Office upon request and payment of the necessary fee.

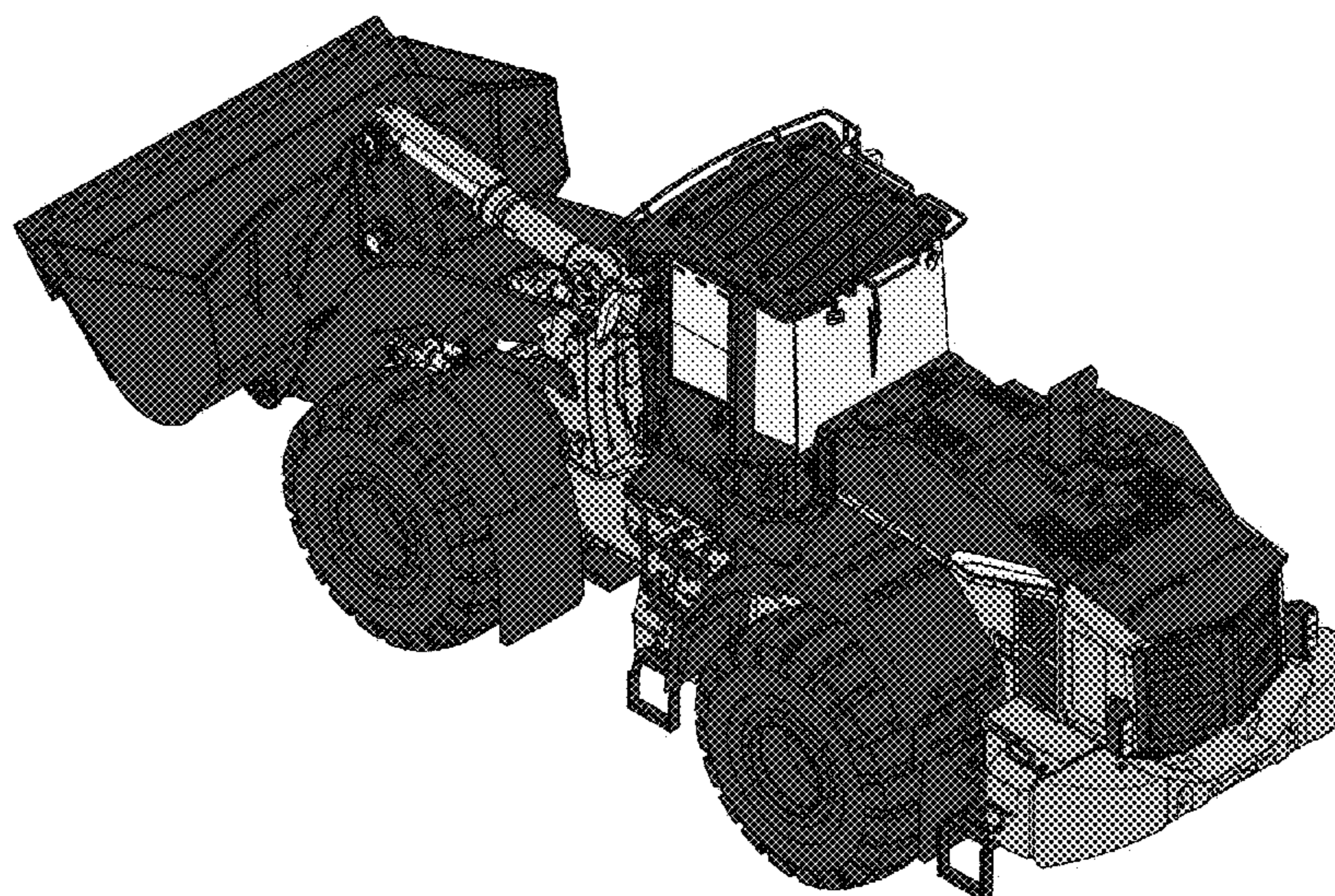
FIG. 1 is a front, top and right side perspective view of a wheel loader according to the design;
FIG. 2 is a rear, top and left side perspective view thereof;
FIG. 3 is a front elevational view thereof;
FIG. 4 is a rear elevational view thereof;
FIG. 5 is a right side elevational view thereof;
FIG. 6 is a left side elevational view thereof; and,
FIG. 7 is a top plan view thereof.

(56) **References Cited**

U.S. PATENT DOCUMENTS

D326,858 S * 6/1992 Skeel D15/25
D405,807 S * 2/1999 Amy D15/25

1 Claim, 6 Drawing Sheets
(6 of 6 Drawing Sheet(s) Filed in Color)



(56)

References Cited

U.S. PATENT DOCUMENTS

D590,846 S *	4/2009	Kinsinger	D15/22
D652,061 S	1/2012	Hiraoka et al.	
D652,062 S	1/2012	Hiraoka et al.	
D693,853 S	11/2013	Hiraoka et al.	
D708,232 S *	7/2014	Furuki	D15/23
D742,424 S *	11/2015	Turner	D15/25
D747,747 S *	1/2016	Turner	D15/25
D756,420 S *	5/2016	Okuyama	D15/23
D758,457 S *	6/2016	Okuyama	D15/23
D819,087 S *	5/2018	Ulmefors	D15/25
D819,705 S *	6/2018	Ulmefors	D15/25

OTHER PUBLICATIONS

U.S. Design Patent Application for "Wheel Loader", U.S. Appl. No. 29/698,505, filed Jul. 17, 2019.

Non-final Rejection issued in related U.S. Appl. No. 29/698,505 dated Aug. 21, 2020 (eight (8) pages).

* cited by examiner

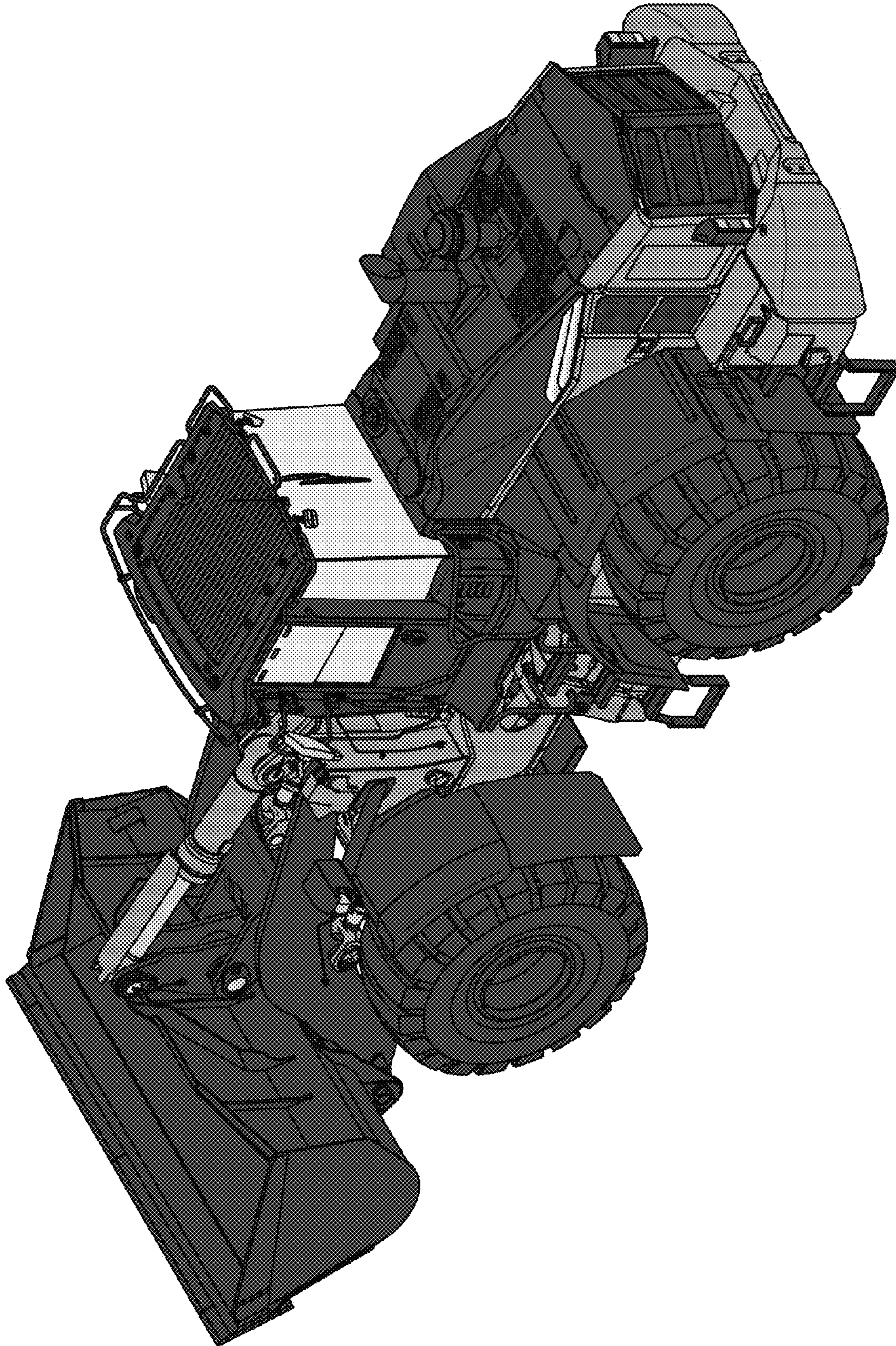


FIG. 1

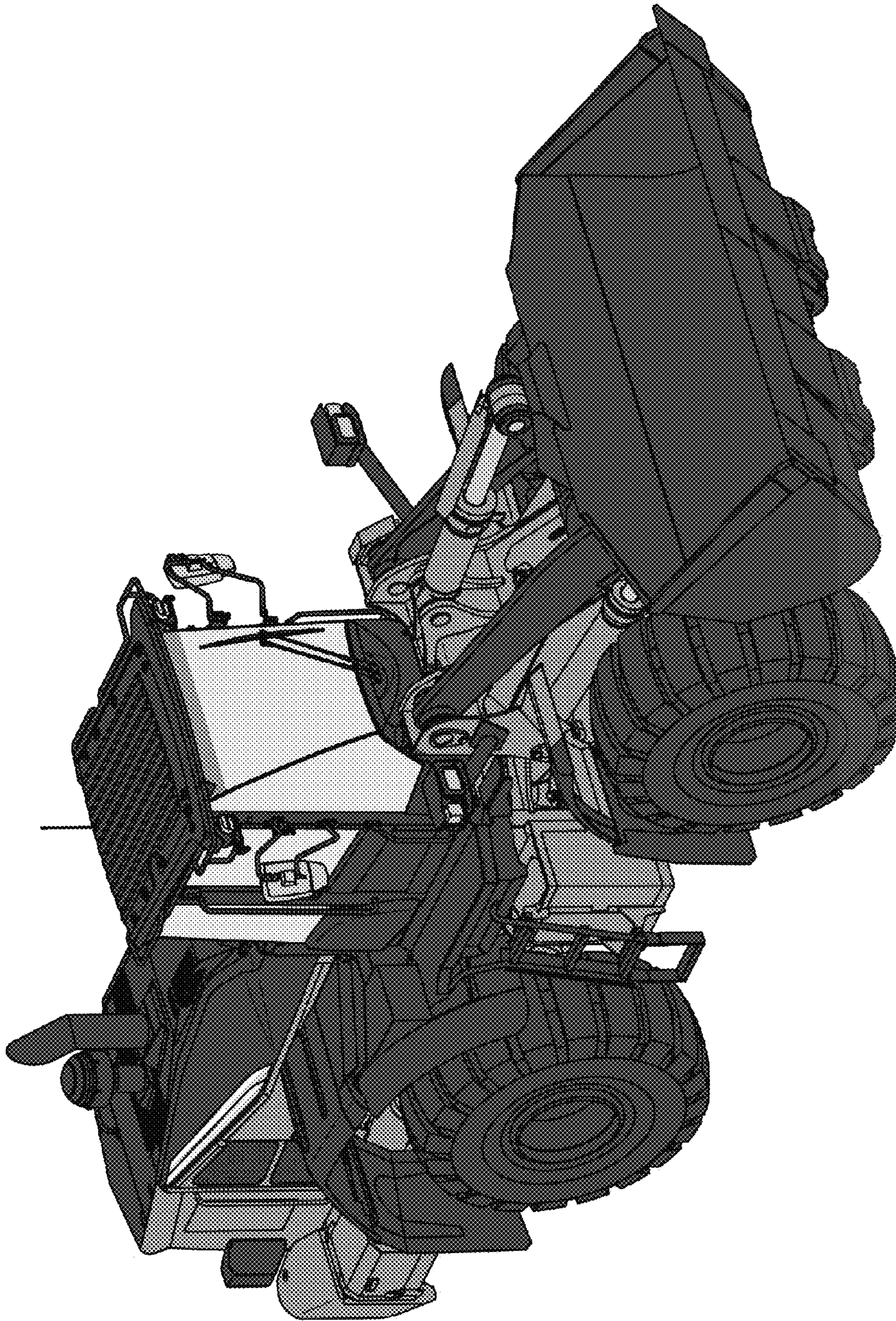


FIG. 2

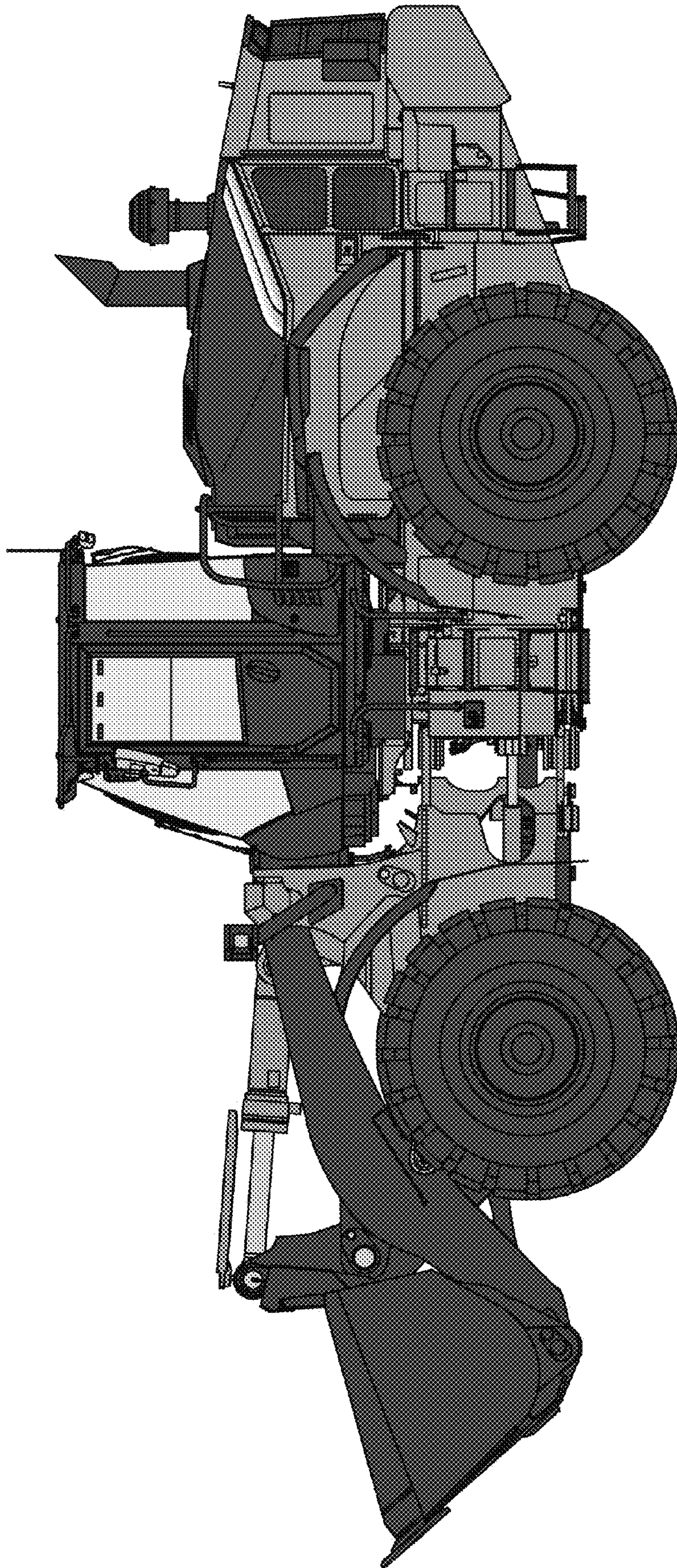


FIG. 3

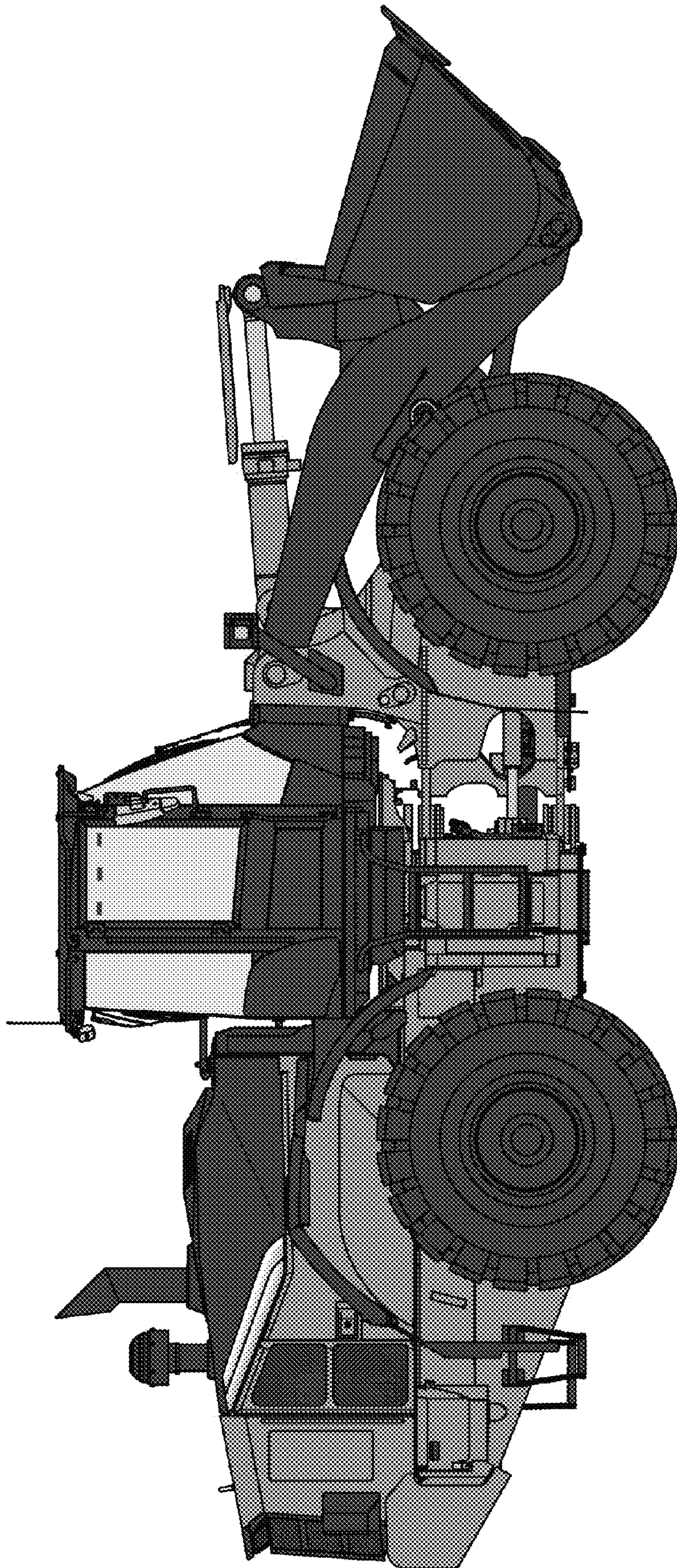


FIG. 4

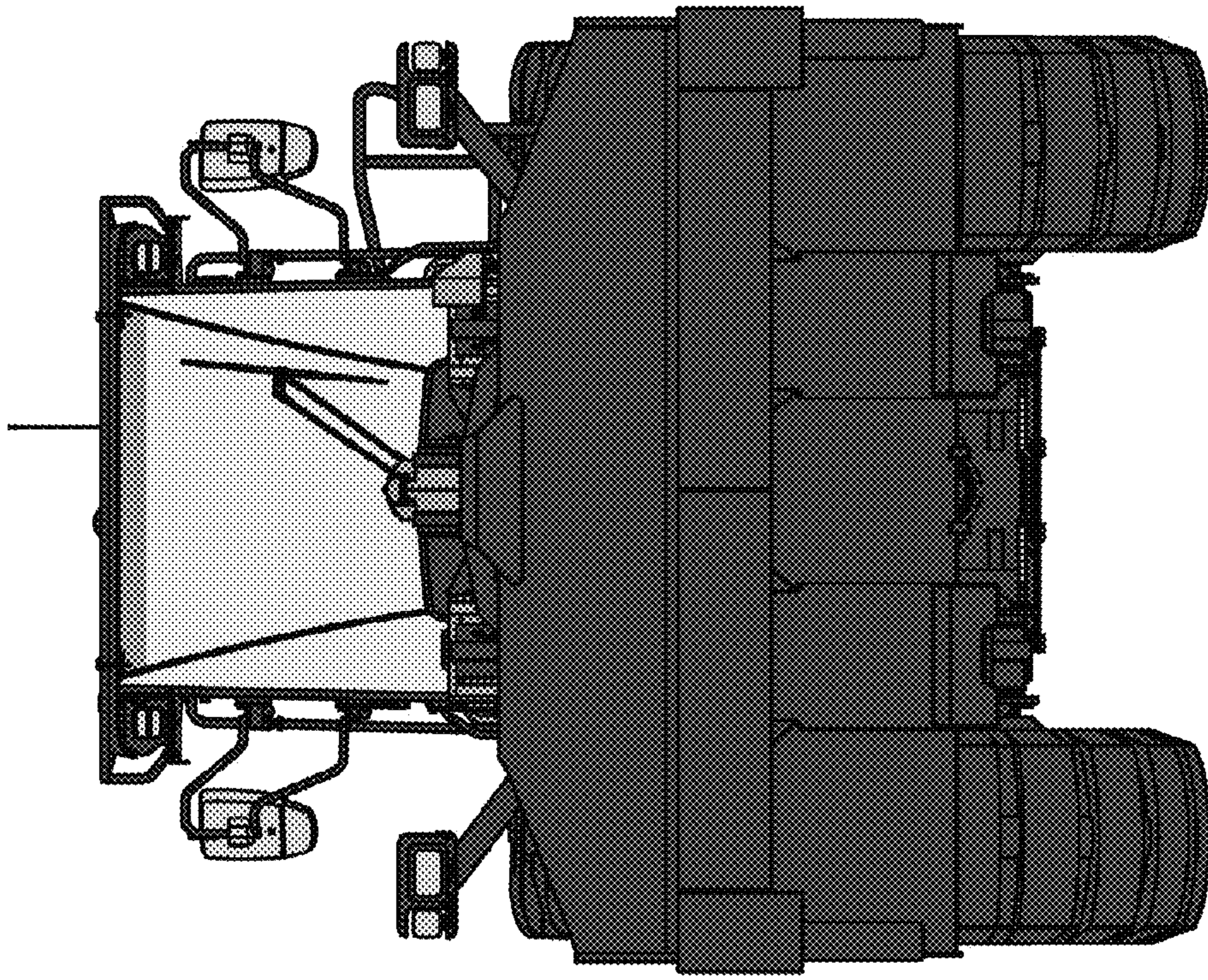


FIG. 5

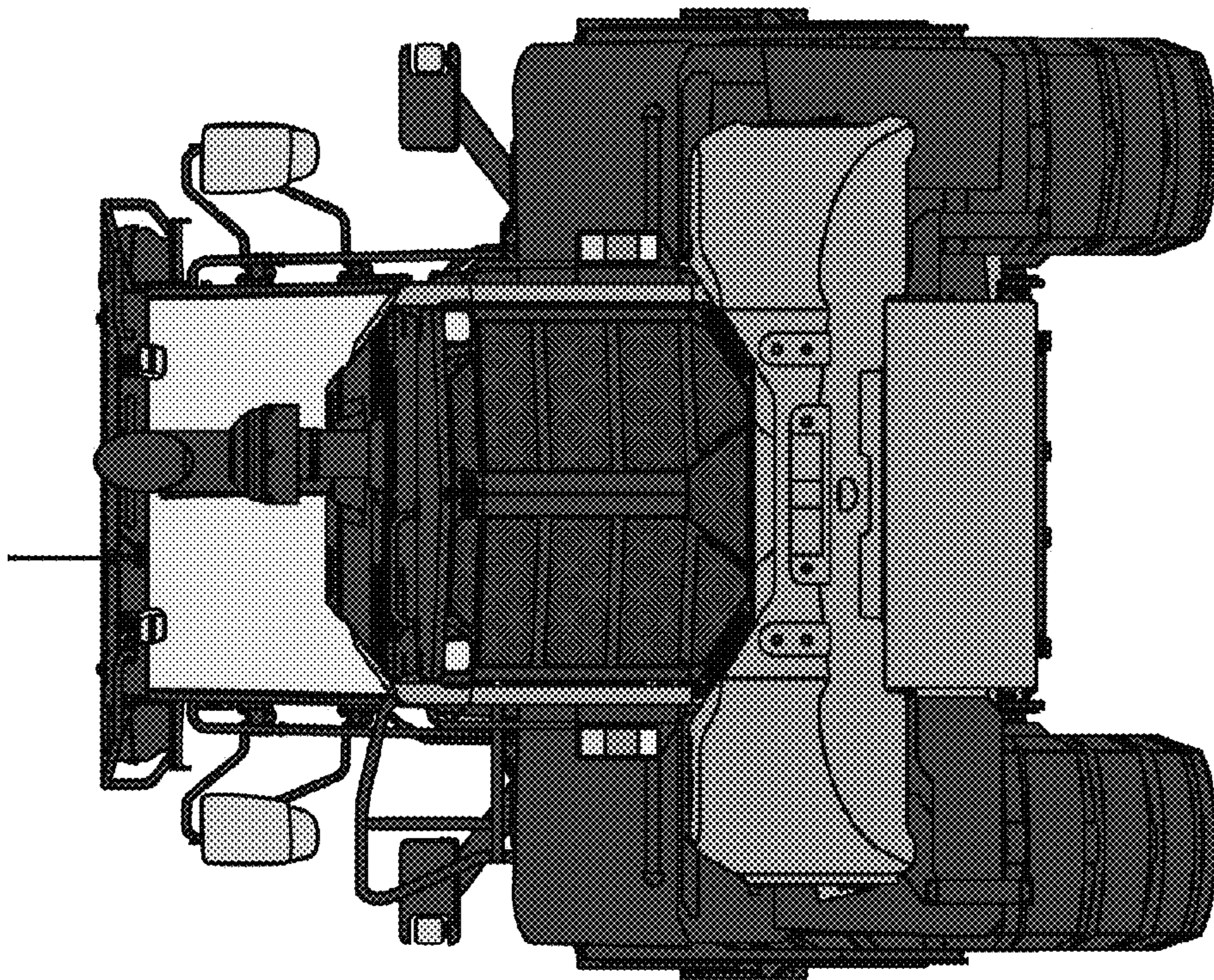


FIG. 6

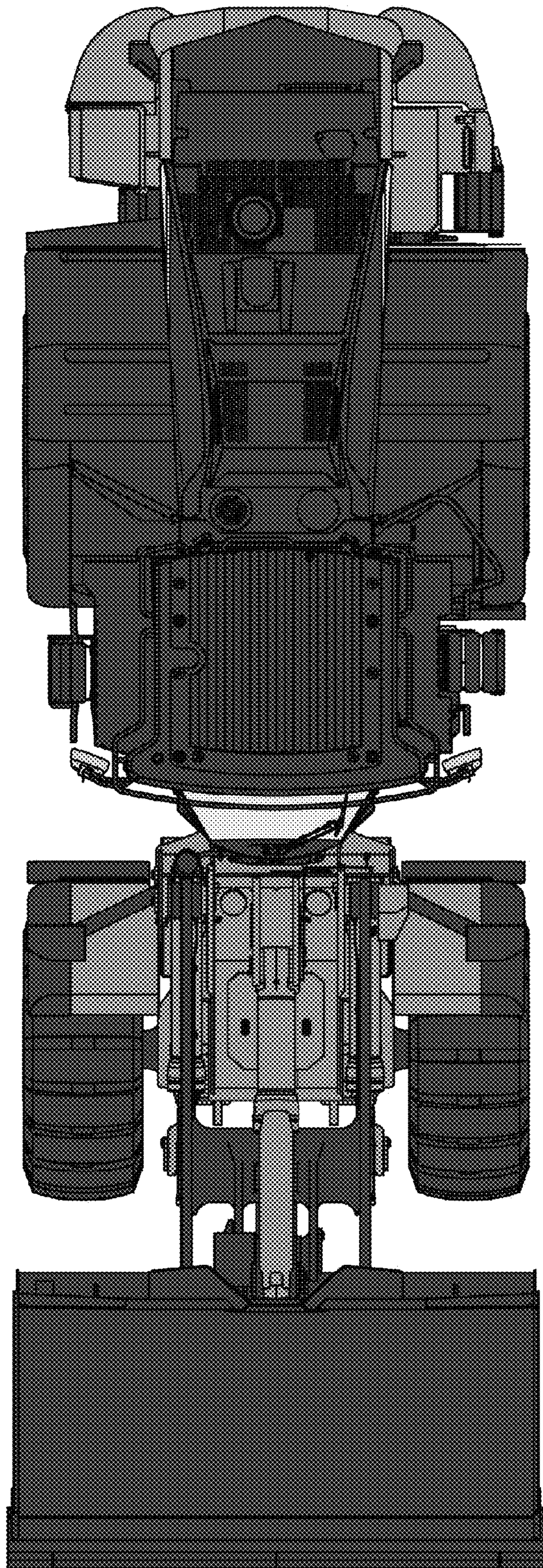


FIG. 7