



US00D911394S

(12) **United States Design Patent** (10) **Patent No.:** **US D911,394 S**
Vintzel (45) **Date of Patent:** **** Feb. 23, 2021**

(54) **AIR COMPRESSOR**
(71) Applicant: **Harbor Freight Tools USA, Inc.**,
Calabasas, CA (US)
(72) Inventor: **James Constantine Vintzel**, Jackson,
TN (US)
(73) Assignee: **Harbor Freight Tools USA, INC.**,
Calabasas, CA (US)

D499,432 S 12/2004 Chen
D512,479 S 12/2005 Hsiao
D534,287 S 12/2006 Krieger
D535,309 S 1/2007 Breecham
D553,158 S 10/2007 Caito
D557,710 S 12/2007 Sharp
D562,851 S 2/2008 Leasure
D574,859 S 8/2008 Hernandez
D576,512 S 9/2008 Leasure

(Continued)

(**) Term: **15 Years**
(21) Appl. No.: **29/743,384**
(22) Filed: **Jul. 21, 2020**

OTHER PUBLICATIONS

McGraw, 21 Gallon 175 PSI Oil-Free Vertical Air Compressor, (site visited Jul. 13, 2020), Harbor Freight website, URL: <<https://www.harborfreight.com/21-gallon-175-PSI-Oil-Free-Vertical-Air-Compressor-64858.html>> (Year: 2020).

(Continued)

Related U.S. Application Data

(62) Division of application No. 29/703,027, filed on Aug. 23, 2019.
(51) **LOC (13) Cl.** **15-02**
(52) **U.S. Cl.**
USPC **D15/7**
(58) **Field of Classification Search**
USPC D15/7-9; D13/103, 107; D23/210, 225,
D23/231, 232
CPC F04B 41/00; F04B 41/02; F04B 41/04;
F04B 41/06; F04B 35/00; F04B 35/06;
F04B 35/002; F04B 35/86; F04B 31/00;
F04B 49/00; F04B 25/00; F04B 25/005;
F04B 25/02; F04B 25/04
See application file for complete search history.

Primary Examiner — Sheryl Lane
Assistant Examiner — Mark T. Philipps
(74) *Attorney, Agent, or Firm* — McAndrews Held & Malloy, Ltd.

(57) **CLAIM**

The ornamental design for an air compressor, as shown and described.

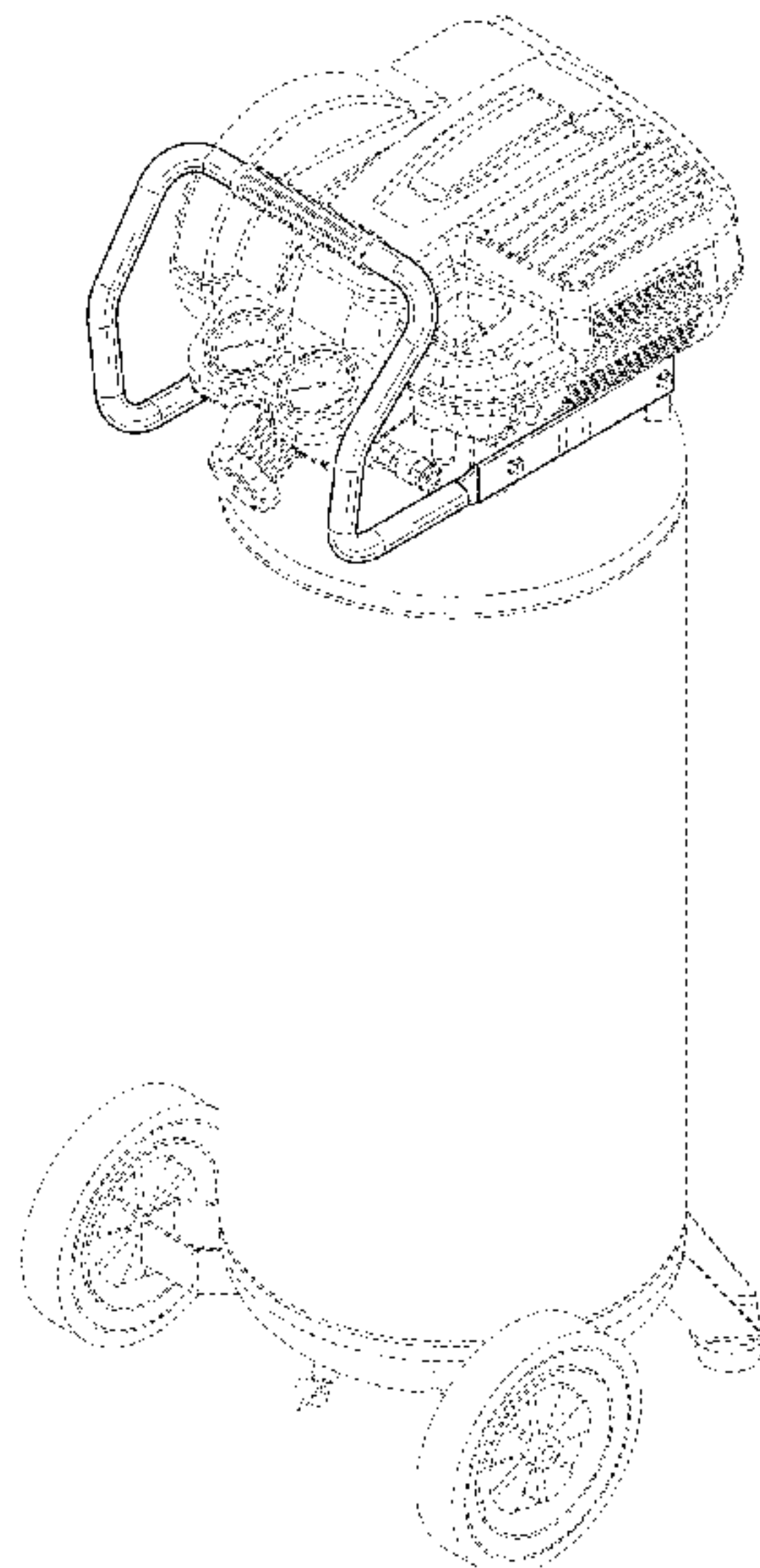
DESCRIPTION

FIG. 1 is a top-front perspective view of an air compressor showing my new design;
FIG. 2 is a front elevation view thereof;
FIG. 3 is a rear elevation thereof;
FIG. 4 is a right side elevation view thereof;
FIG. 5 is a left side elevation view thereof;
FIG. 6 is a top plan view thereof;
FIG. 7 is a bottom plan view thereof; and,
FIG. 8 is a bottom-rear perspective view thereof.
The dashed broken lines in the figures illustrate portions of the air compressor that form no part of the claimed design.

(56) **References Cited**
U.S. PATENT DOCUMENTS

D293,585 S 1/1988 Morgan
5,054,740 A 10/1991 Wheeler
D444,796 S 7/2001 Morgan
6,375,437 B1 4/2002 Nolan
D491,628 S 6/2004 Hsiao

1 Claim, 7 Drawing Sheets



(56)

References Cited

U.S. PATENT DOCUMENTS

D579,462 S 10/2008 Leasure
 D589,065 S 3/2009 Leasure
 D589,535 S 3/2009 Leasure
 D604,746 S 11/2009 Nishido
 D636,409 S 4/2011 Wilmes
 D637,211 S 5/2011 Parks
 D657,393 S 4/2012 Pauwels
 D662,517 S 6/2012 Hawkins
 D664,996 S 8/2012 Hsiao
 D666,224 S 8/2012 Pruszynski
 D668,267 S 10/2012 Hawkins
 D680,555 S * 4/2013 Craig D15/7
 D680,556 S 4/2013 Craig
 D710,902 S * 8/2014 Vintzel D15/9
 D710,903 S 8/2014 Vintzel
 9,291,363 B1 3/2016 Cassell
 D806,135 S 12/2017 Wood
 D806,753 S 1/2018 Wood
 D806,755 S 1/2018 Wood
 D806,757 S 1/2018 Wood
 D838,751 S 1/2019 Wood

D854,585 S 7/2019 Bindhammer
 D876,485 S 2/2020 Pauly
 D891,480 S * 7/2020 Vintzel D15/9
 D893,553 S * 8/2020 Vintzel D15/9
 D900,882 S * 11/2020 Vintzel D15/9
 D902,260 S * 11/2020 Vintzel D15/9
 2005/0196290 A1 9/2005 Hu
 2006/0104836 A1 5/2006 Phillips
 2006/0104837 A1 5/2006 Lee
 2007/0122292 A1 5/2007 Etter
 2009/0226333 A1 9/2009 Hsiao
 2010/0290929 A1 11/2010 Ohi
 2016/0298618 A1 10/2016 Wood
 2018/0320677 A1 11/2018 Thackery

OTHER PUBLICATIONS

DeWalt, Dewalt 15-Gallon Single Stage Portable Electric Vertical Air Compressor, (site visited Jul. 13, 2020), Lowes Website, URL: <<https://www.lowes.ca/product/air-compressors/dewalt-15-gallon-single-stage-portable-electric-vertical-air-compressor-203680>> (Year: 2020).

* cited by examiner

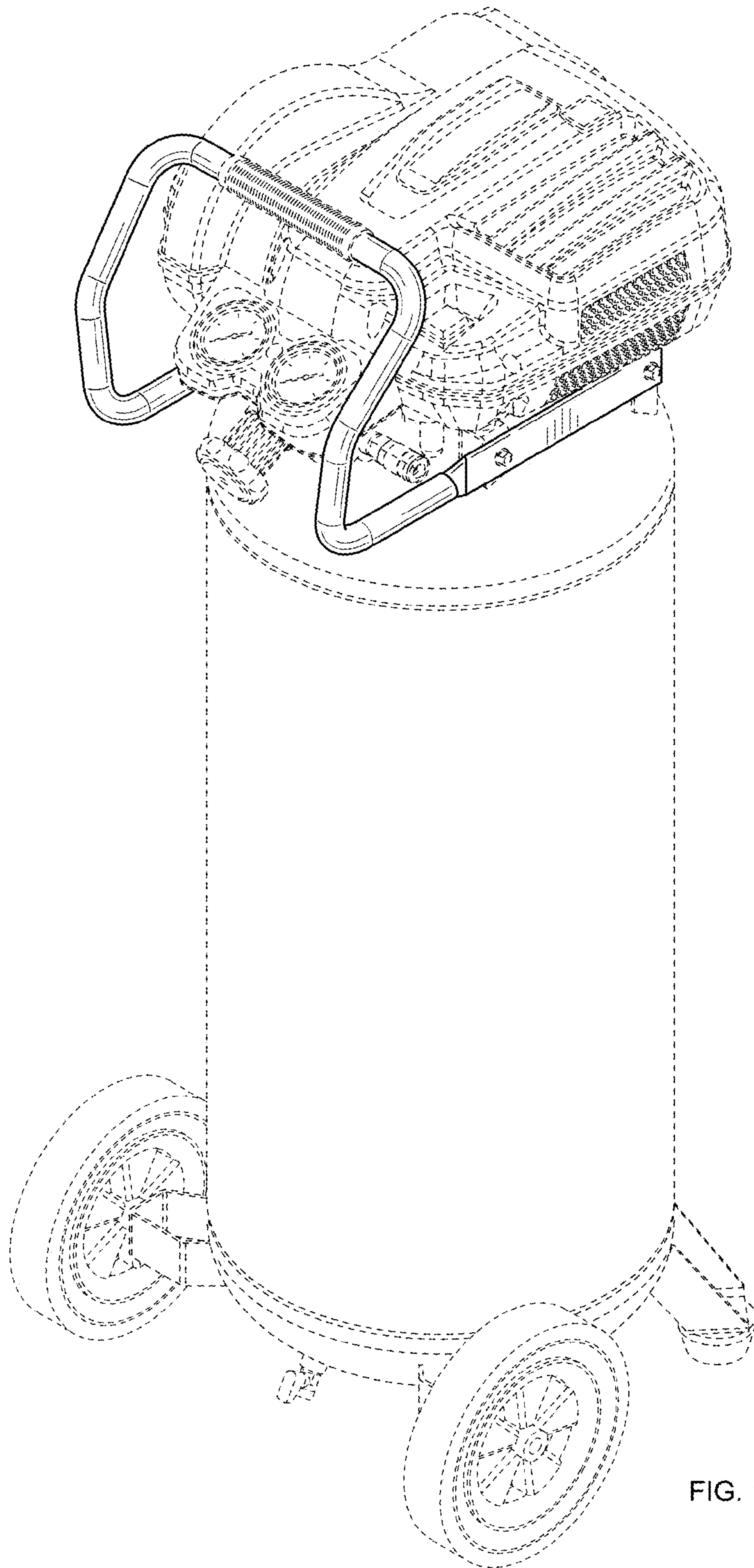


FIG. 1

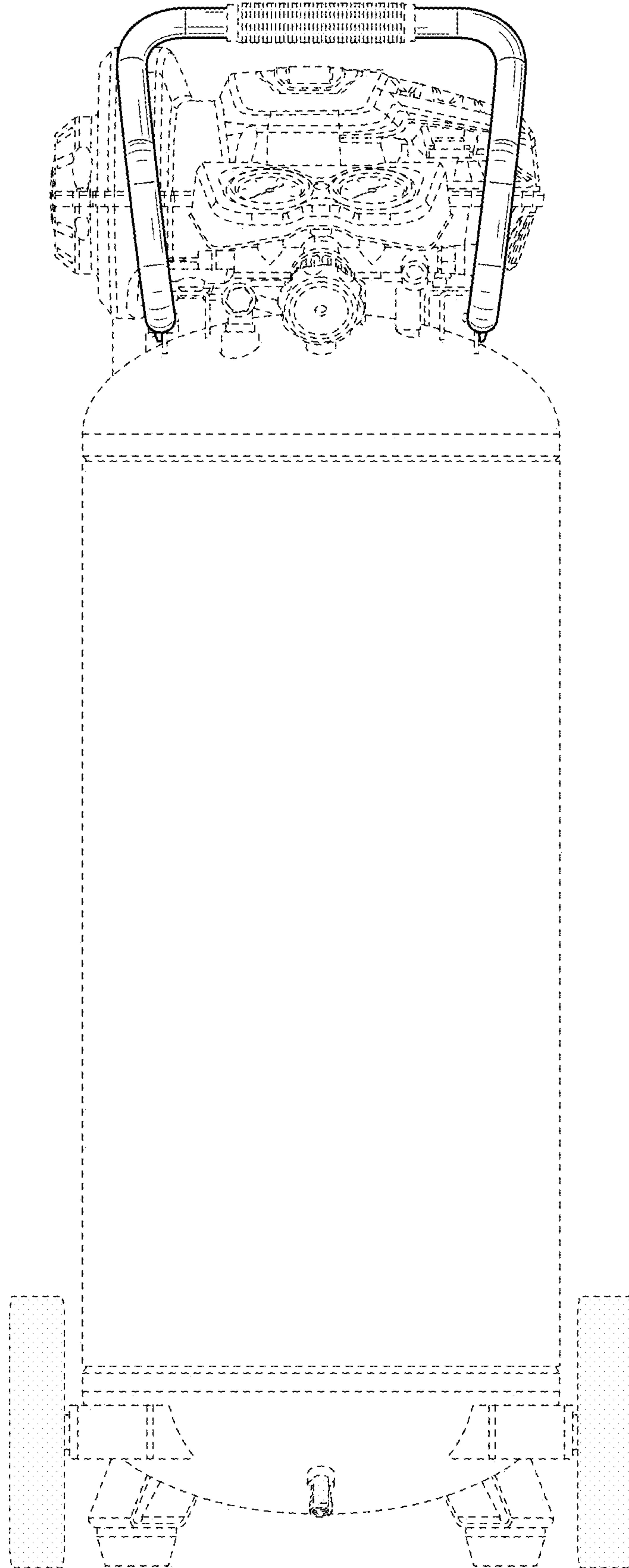


FIG. 2

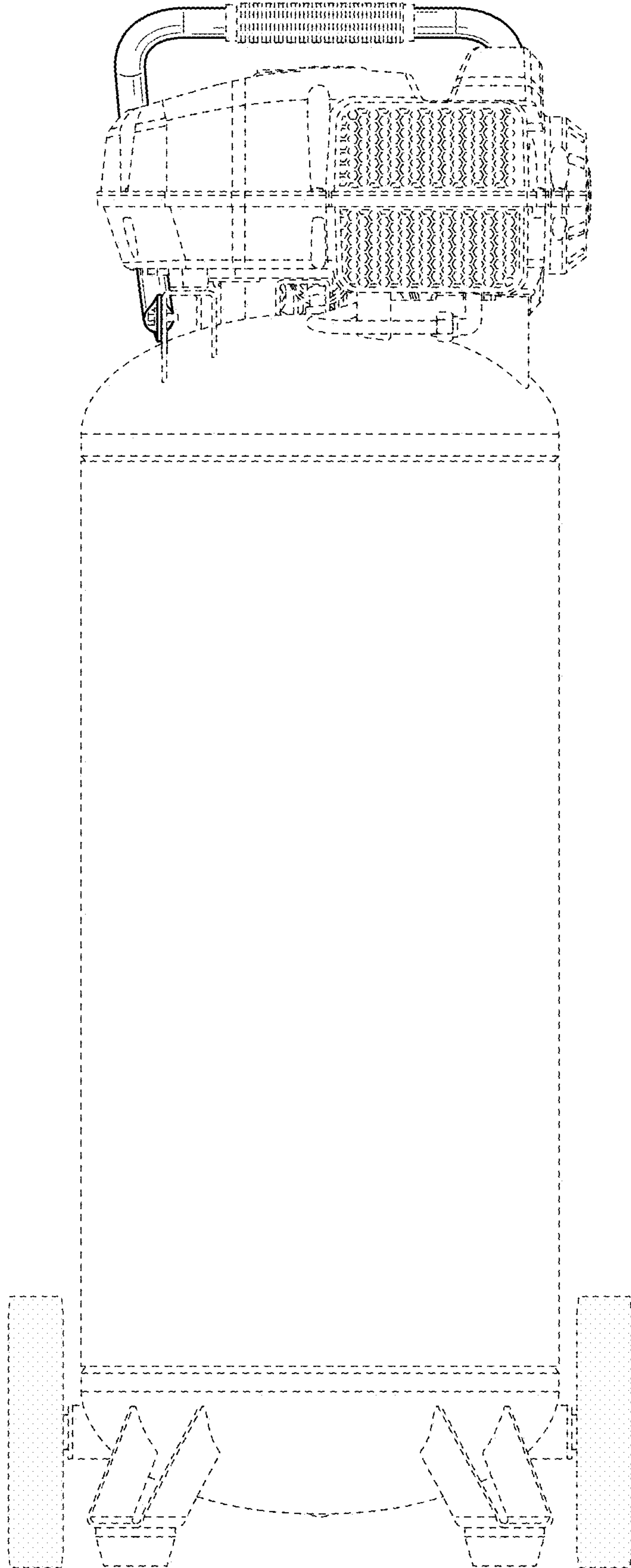


FIG. 3



FIG. 4



FIG. 5

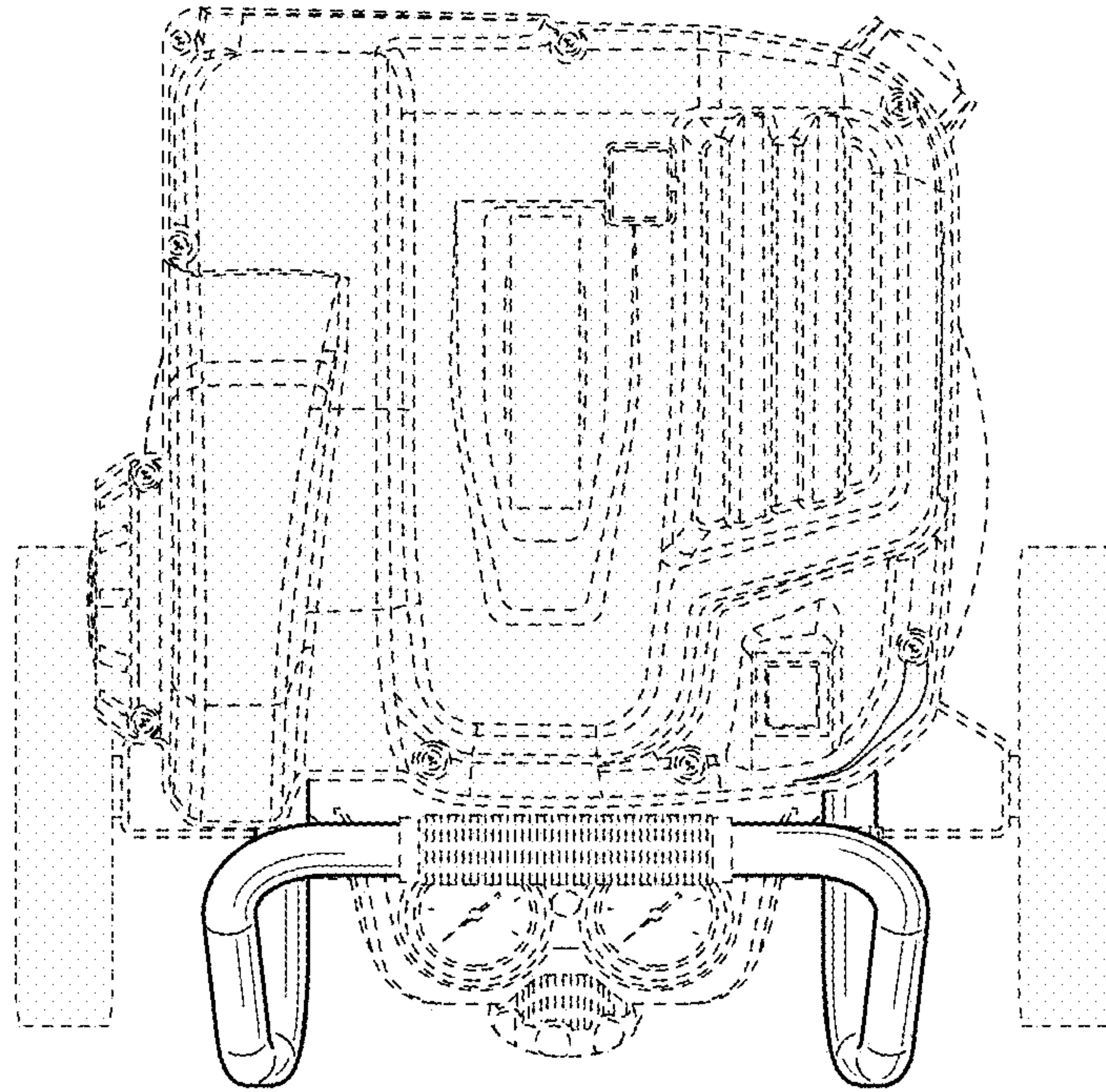


FIG. 6

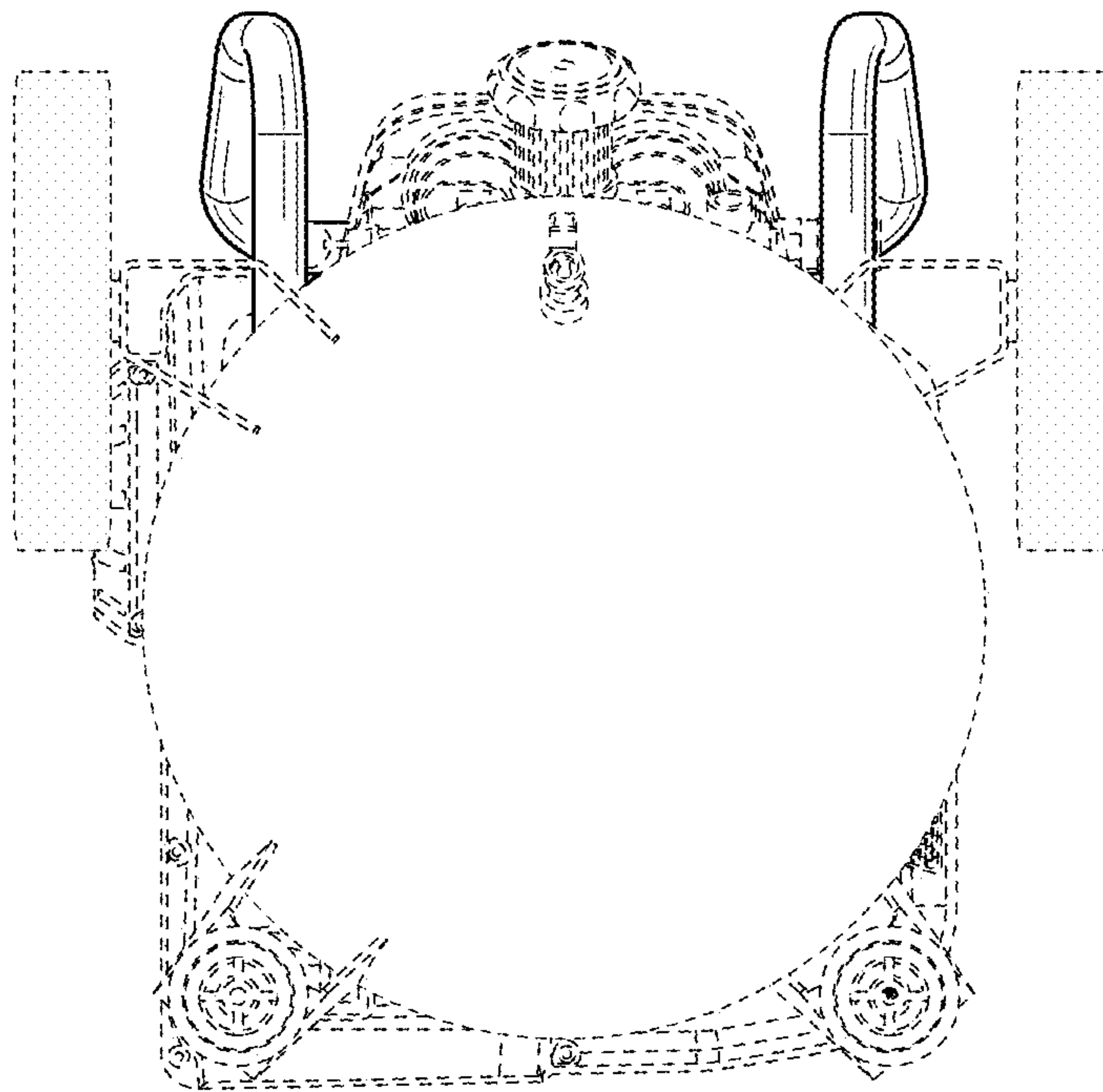


FIG. 7

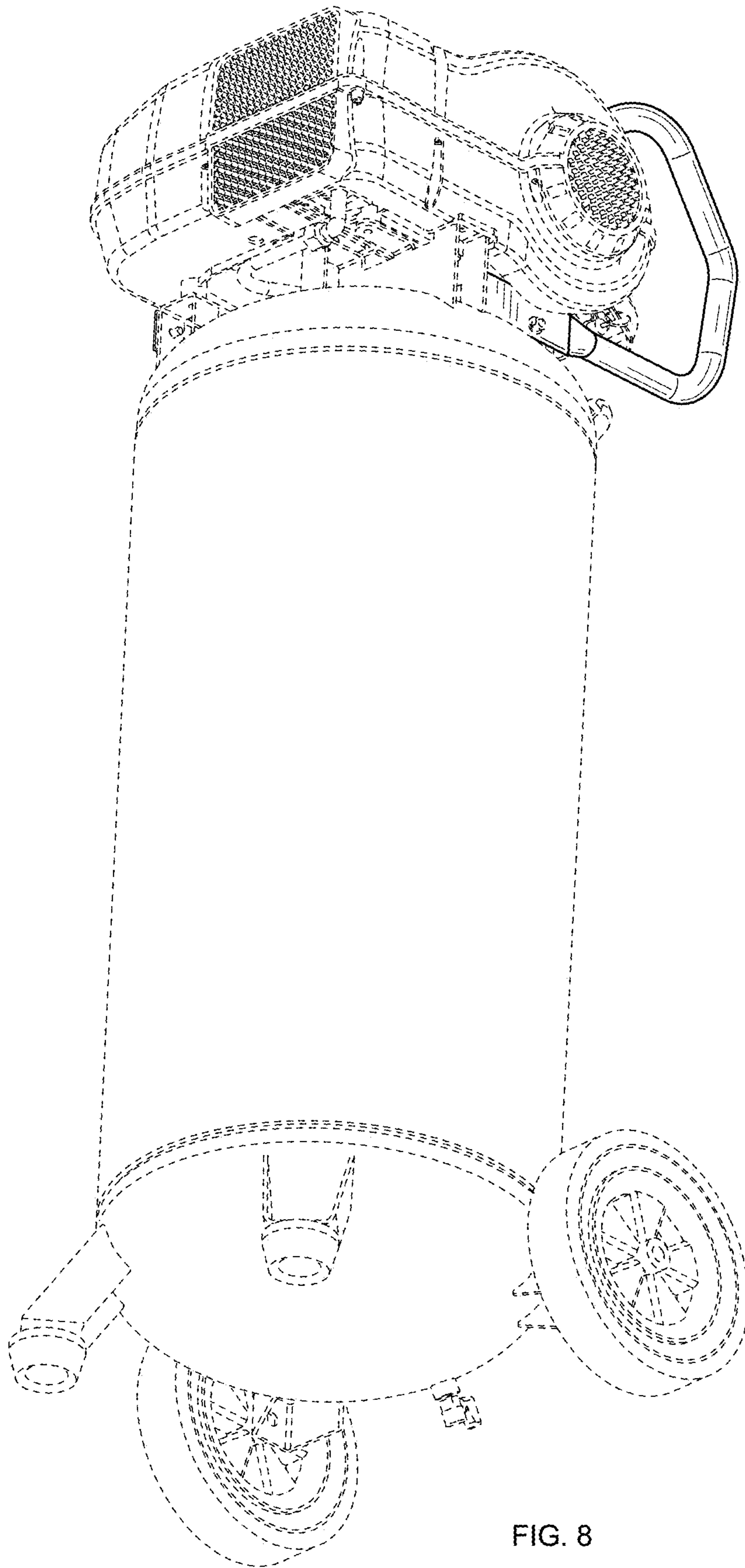


FIG. 8