



US00D911393S

(12) **United States Design Patent** (10) **Patent No.:** **US D911,393 S**
Niakan et al. (45) **Date of Patent:** **** Feb. 23, 2021**

(54) **AIR INTAKE SYSTEM WITH A RIBBED AIRBOX**

(71) Applicant: **Advanced Flow Engineering, Inc.**,
Corona, CA (US)

(72) Inventors: **Shahriar Nick Niakan**, Corona, CA
(US); **George R. Chiang**, Corona, CA
(US)

(73) Assignee: **Advanced Flow Engineering, Inc.**,
Corona, CA (US)

(**) Term: **15 Years**

(21) Appl. No.: **29/736,665**

(22) Filed: **Jun. 2, 2020**

Related U.S. Application Data

(63) Continuation of application No. 29/656,482, filed on
Jul. 12, 2018, now Pat. No. Des. 886,869.

(51) **LOC (13) Cl.** **15-01**

(52) **U.S. Cl.**
USPC **D15/5**

(58) **Field of Classification Search**
USPC D15/1-6
See application file for complete search history.

(56) **References Cited**

U.S. PATENT DOCUMENTS

D749,134	S	*	2/2016	Niakan	D15/5
D754,208	S	*	4/2016	Niakan	D15/5
D762,247	S	*	7/2016	Niakan	D15/5
D762,735	S	*	8/2016	Niakan	D15/5
D762,736	S	*	8/2016	Niakan	D15/5
D886,867	S	*	6/2020	Niakan	D15/5
D886,868	S	*	6/2020	Niakan	D15/5
2005/0150483	A1	*	7/2005	Sorensen	F02B 37/00 123/559.1
2006/0196462	A1	*	9/2006	Quezada	F02M 35/10144 123/184.21

2011/0067574	A1	*	3/2011	Walz	F02M 35/10137 96/422
2012/0152632	A1	*	6/2012	Azuma	F02M 35/04 180/68.3
2013/0104832	A1	*	5/2013	Chang	F02M 35/10013 123/184.21

(Continued)

OTHER PUBLICATIONS

AFEPower 53-10007R QUANTUM Cold Air Intake System w/Pro
5R https://www.amazon.com/aFe-53-10007R/dp/B07H1KVBQM/ref=sr_1_84?dchild=1&keywords=aFe+Power+intake&qid=1601223668&sr=8-84 (Year: 2018).*

Primary Examiner — Ania Aman

(74) *Attorney, Agent, or Firm* — Crockett & Crockett,
PC; K. David Crockett, Esq.; Niky Economy Syrengelas,
Esq.

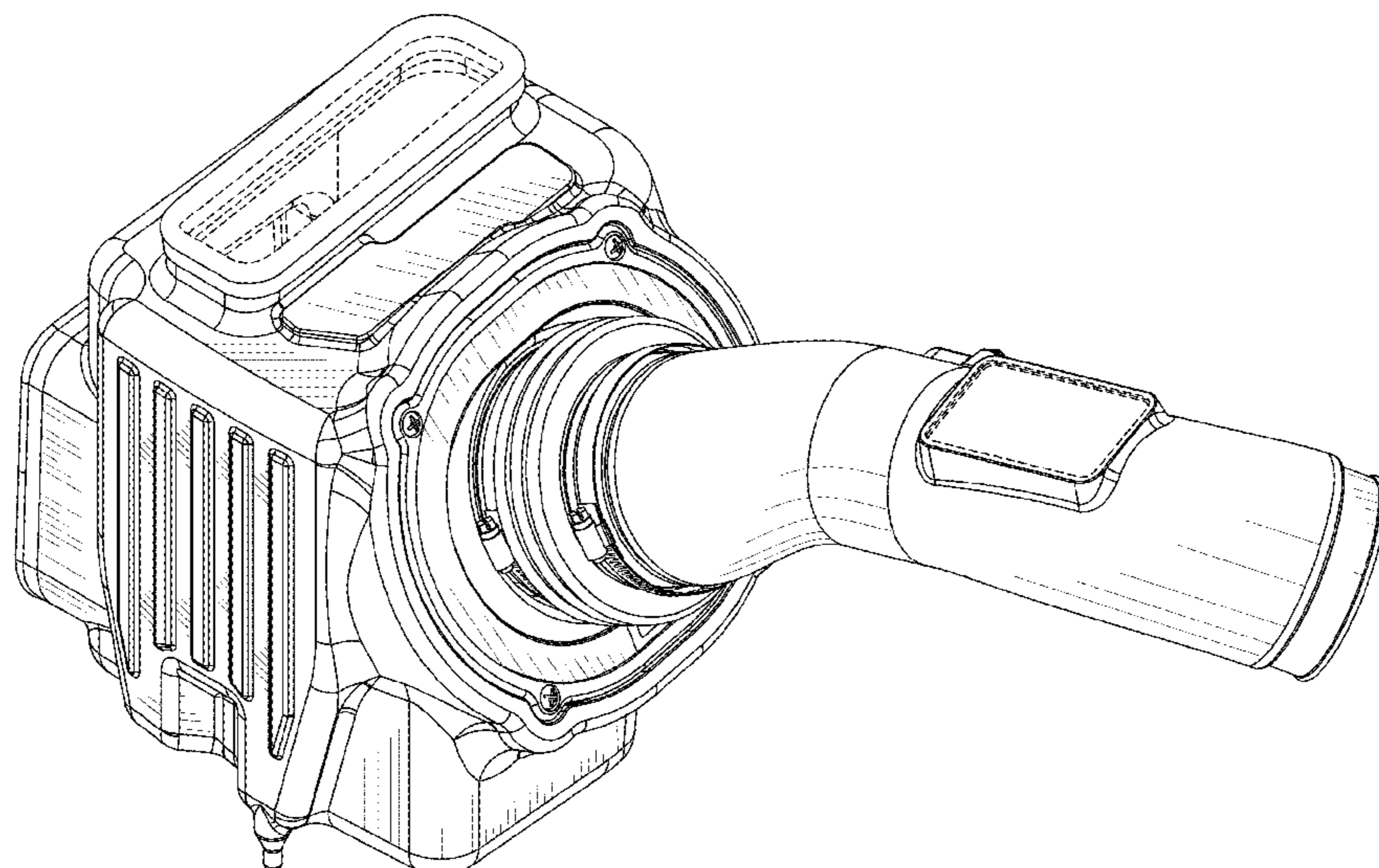
(57) **CLAIM**

The ornamental design for an air intake system with a ribbed
airbox, as shown and described.

DESCRIPTION

FIG. 1 is a left-front perspective view of an air intake system
with a ribbed airbox showing our new design.
FIG. 2 is a front elevation view thereof.
FIG. 3 cross-section view of the air intake system of FIG. 2
taken along 3-3.
FIG. 4 is a left side elevation view thereof.
FIG. 5 is a right side elevation view thereof.
FIG. 6 is a rear elevation view thereof.
FIG. 7 is a top plan view thereof; and,
FIG. 8 is a bottom plan view thereof.
Broken lines in the attached drawings are included for the
purpose of illustrating portions of the air intake system with
a ribbed airbox and form no part of the claimed design.

1 Claim, 8 Drawing Sheets



(56)

References Cited

U.S. PATENT DOCUMENTS

2014/0116015 A1* 5/2014 Niakan B01D 46/0002
55/495
2018/0216584 A1* 8/2018 Overgaard F02M 35/10242

* cited by examiner

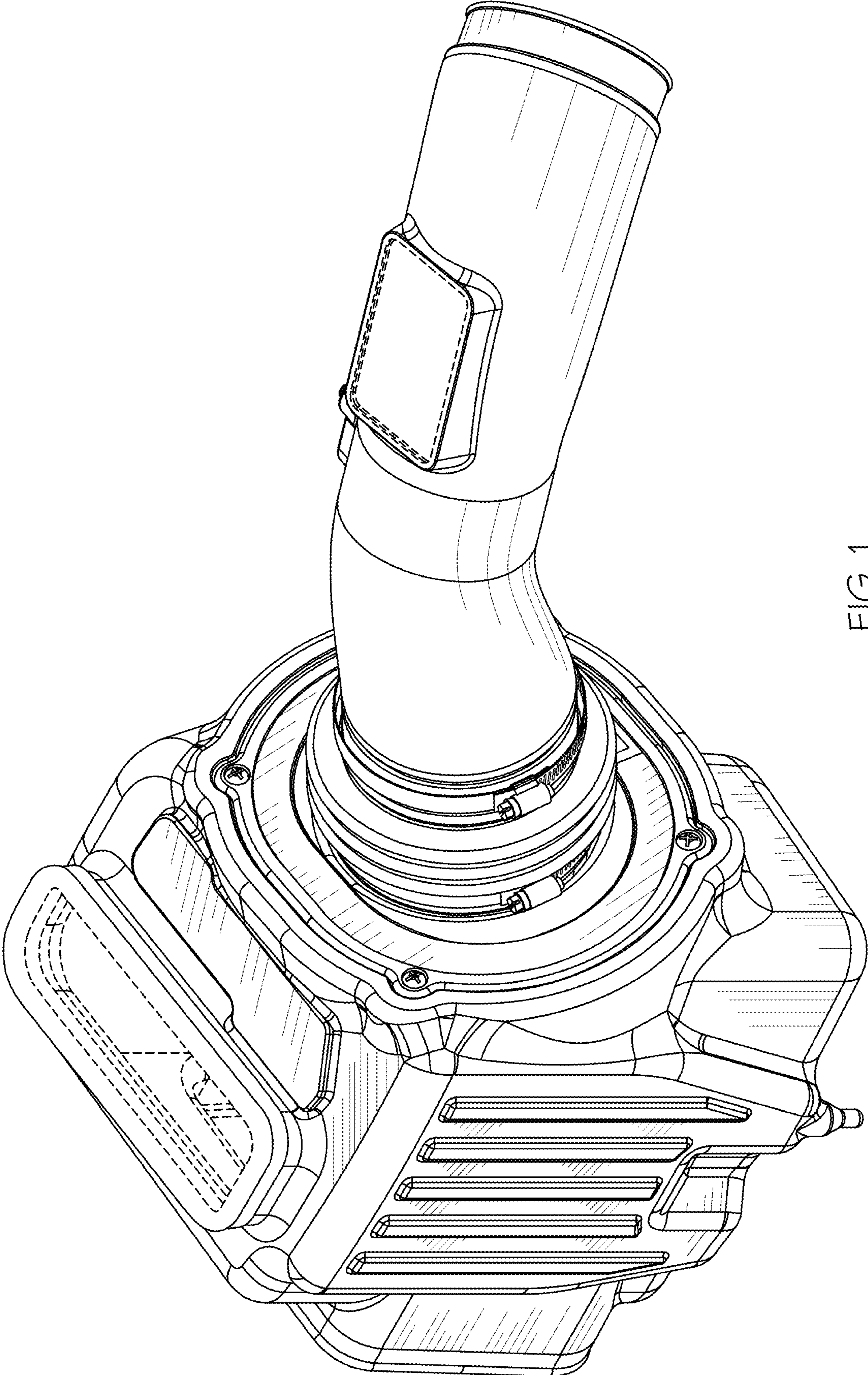
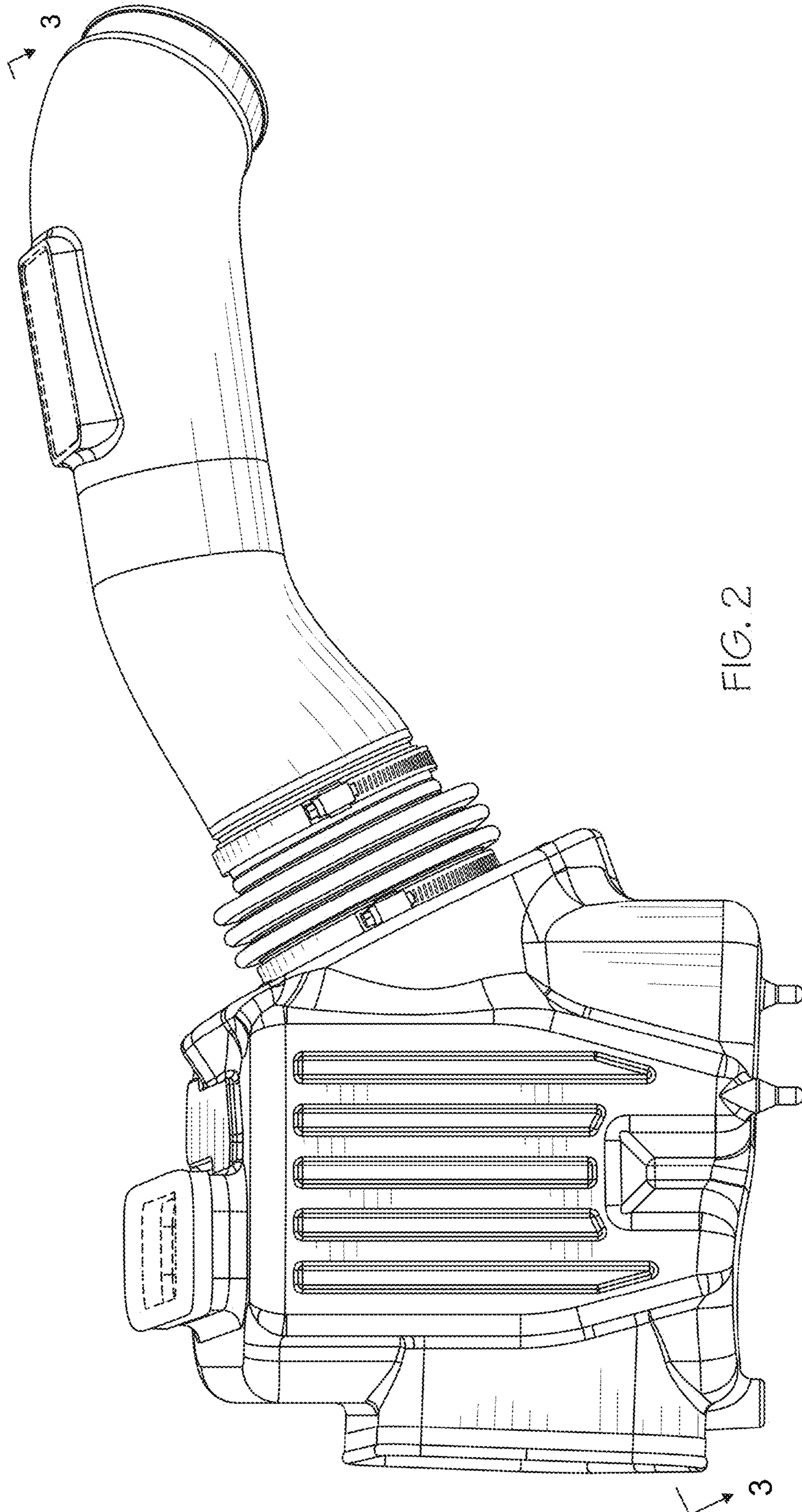


FIG. 1



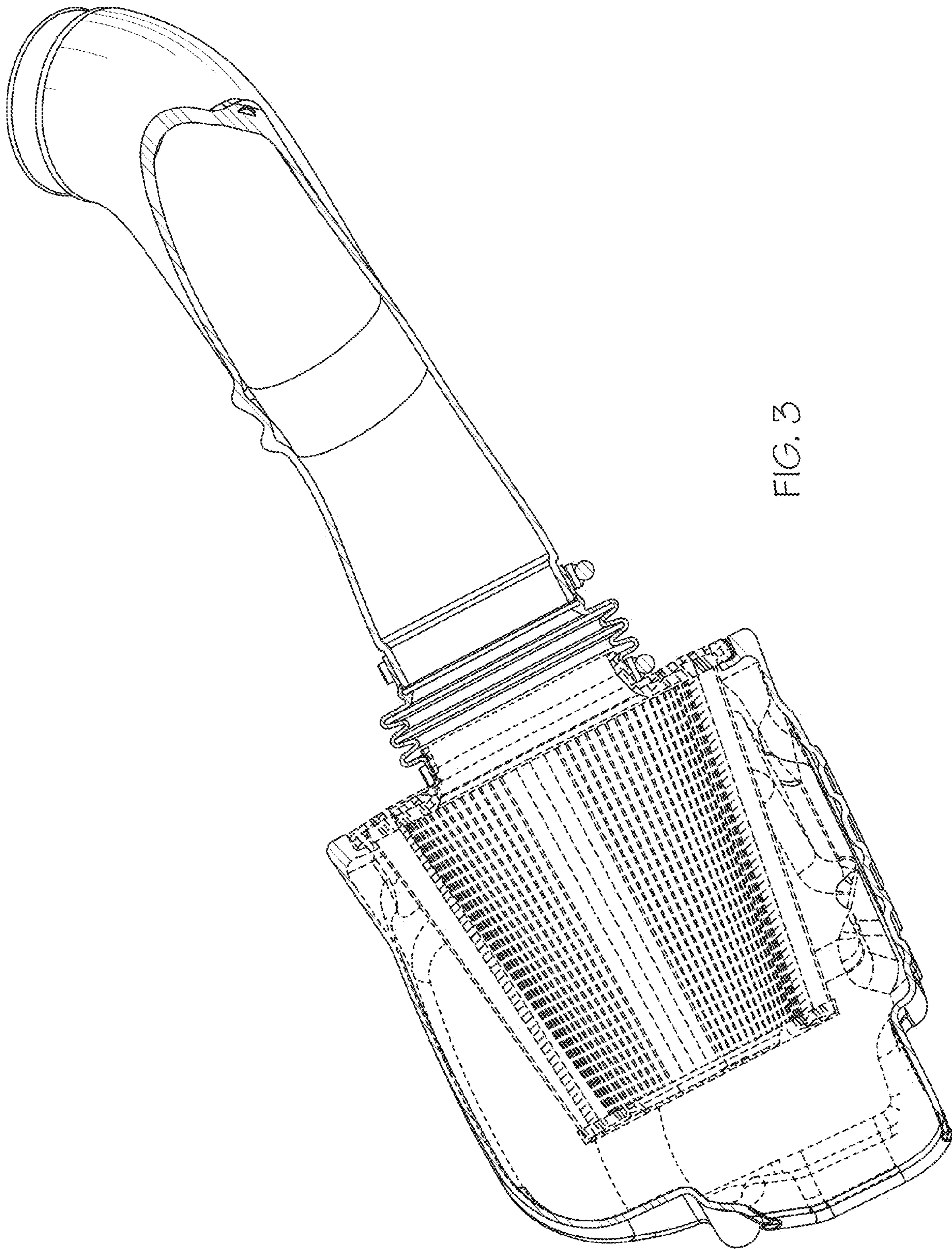


FIG. 3

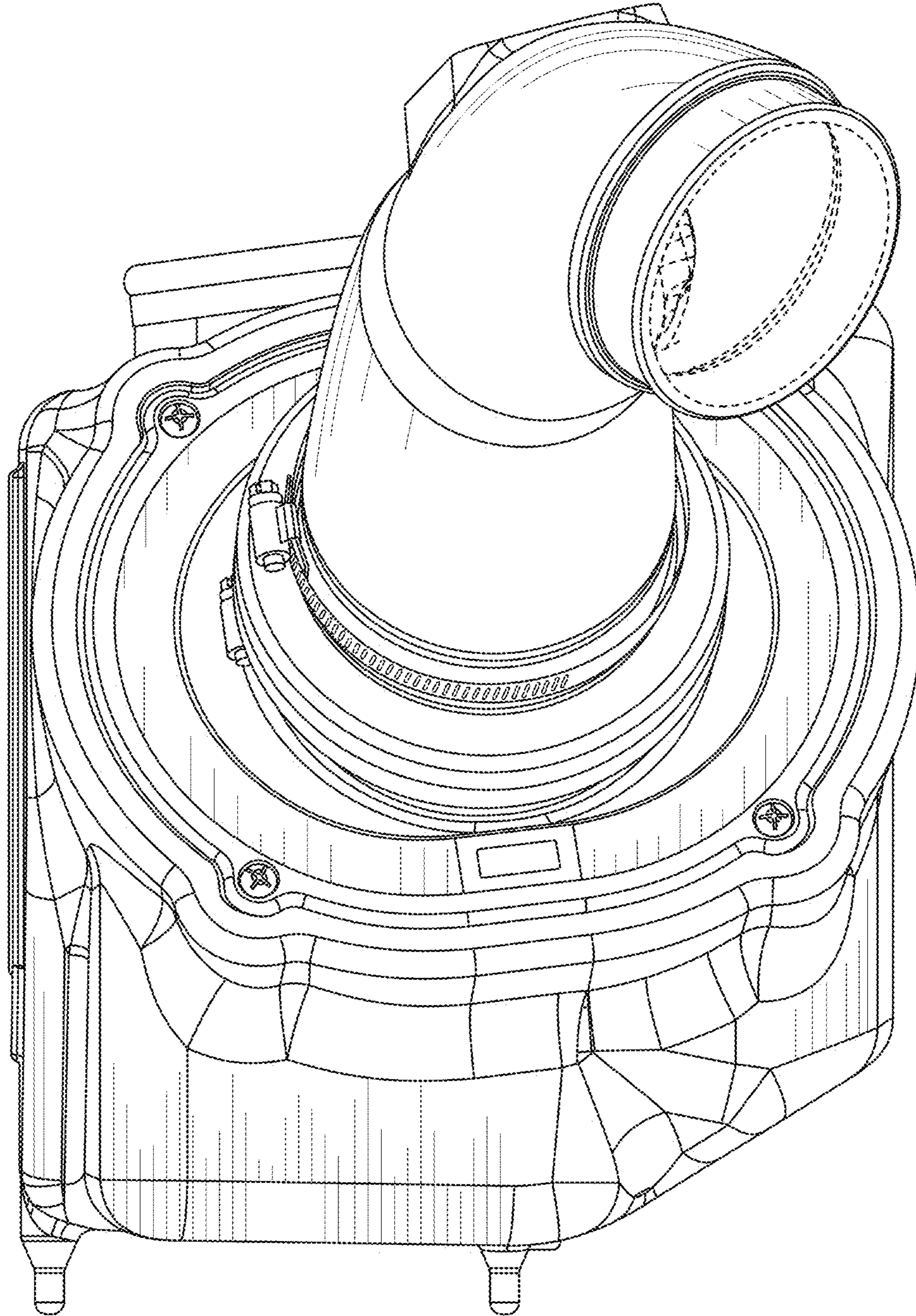


FIG. 4

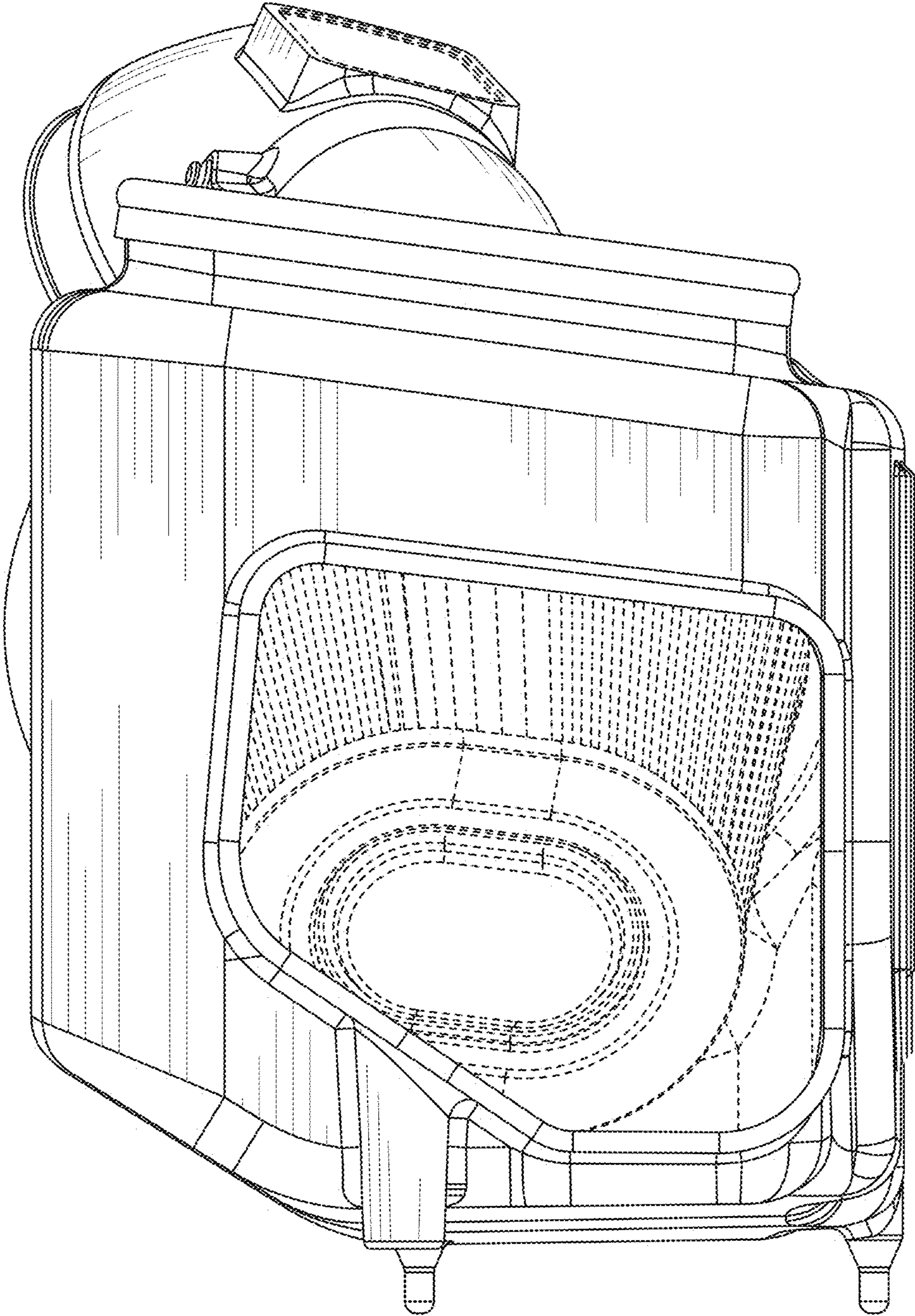


FIG. 5

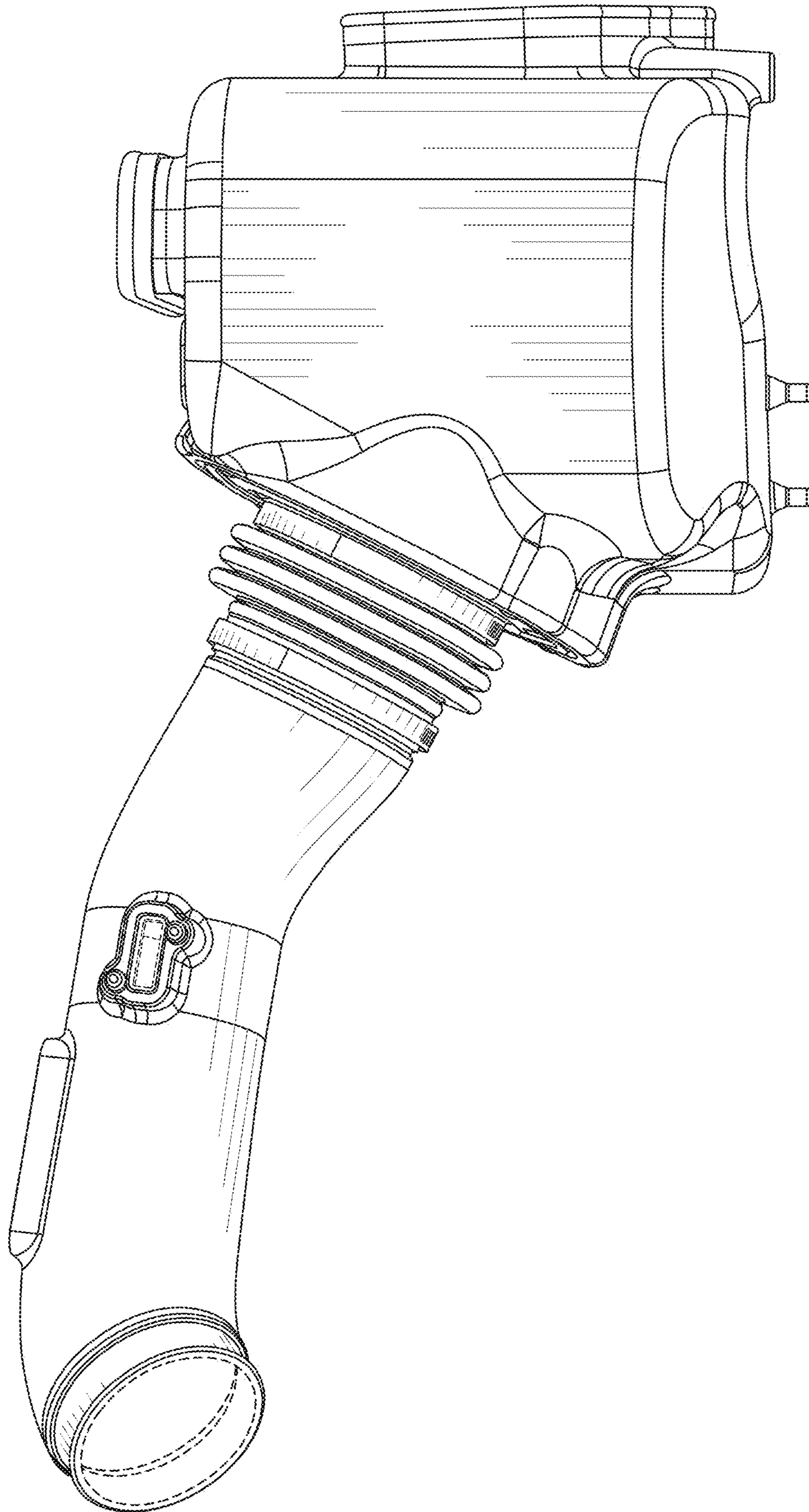


FIG. 6

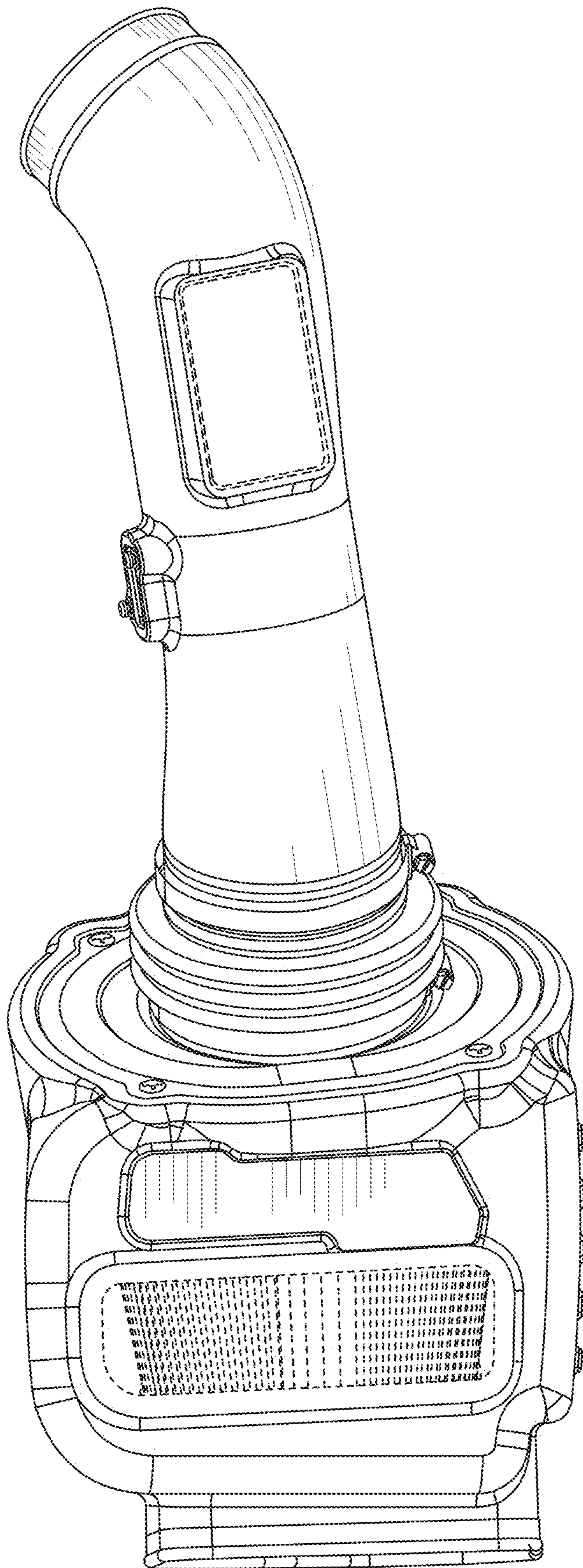


FIG. 7

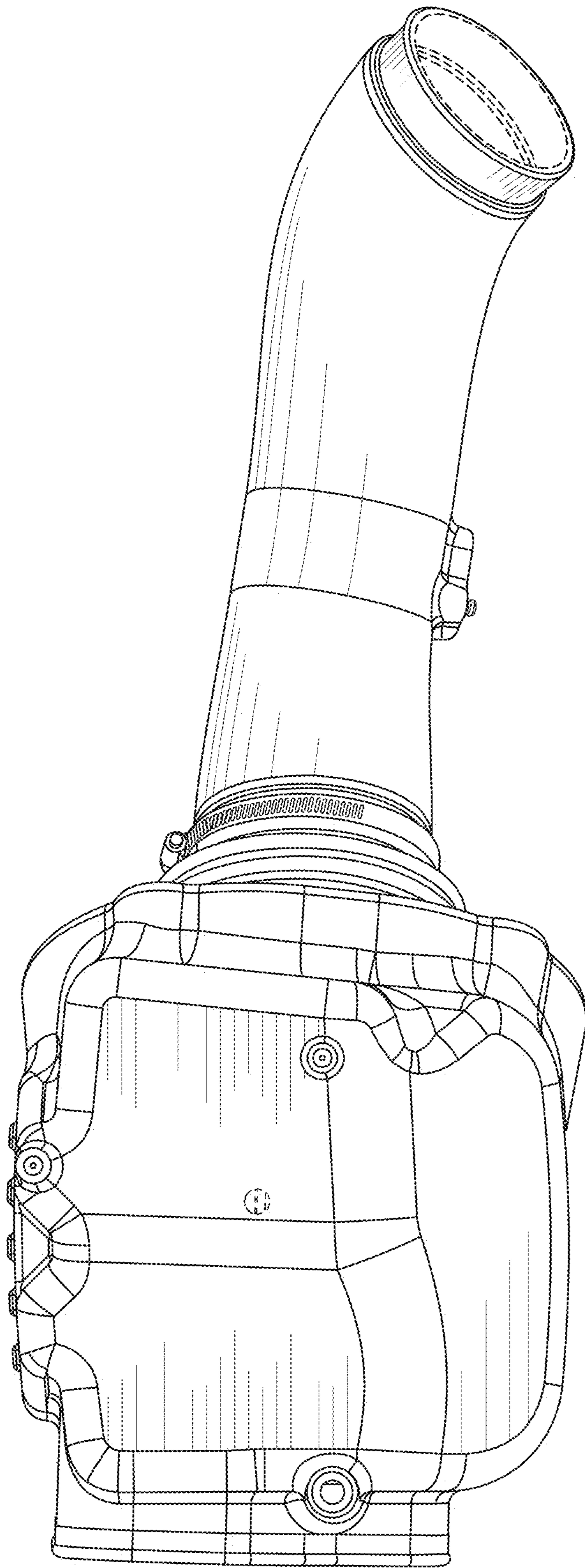


FIG. 8