



US00D911389S

(12) **United States Design Patent**
Fang

(10) **Patent No.:** **US D911,389 S**

(45) **Date of Patent:** **** Feb. 23, 2021**

(54) **CD PLAYER**

(71) Applicant: **Yang Fang**, Changshou Town (CN)

(72) Inventor: **Yang Fang**, Changshou Town (CN)

(**) Term: **15 Years**

(21) Appl. No.: **29/717,698**

(22) Filed: **Dec. 18, 2019**

(51) **LOC (13) Cl.** **01-01**

(52) **U.S. Cl.**
USPC **D14/509**

(58) **Field of Classification Search**
USPC D14/356, 363, 365, 498-511, 168-172,
D14/188-198, 203.1-204
CPC B60K 35/00; B60K 37/00; B60K 37/02;
B60K 37/06; B60R 111/02; G11B 17/02;
G11B 17/04
See application file for complete search history.

(56) **References Cited**

U.S. PATENT DOCUMENTS

D472,541 S *	4/2003	Yoshiyama	D14/510
D479,518 S *	9/2003	Esslinger	D14/509
D488,796 S *	4/2004	Hirano	D14/509
D491,910 S *	6/2004	Zeitman	D14/509
D504,122 S *	4/2005	Zeitman	D14/509
D512,400 S *	12/2005	Zeitman	D14/509
D518,016 S *	3/2006	Hirano	D14/509
D522,995 S *	6/2006	Iijima	D14/509
D532,403 S *	11/2006	Lee	D14/509

D535,639 S *	1/2007	Zeitman	D14/509
D535,640 S *	1/2007	Zeitman	D14/509
D540,295 S *	4/2007	Zeitman	D14/509
D551,651 S *	9/2007	Sakai	D14/509
D561,715 S *	2/2008	Sugiyama	D14/506
D561,732 S *	2/2008	Motoishi	D14/509

* cited by examiner

Primary Examiner — Sandra L Morris

(74) *Attorney, Agent, or Firm* — Law Offices of Steven W. Weinrieb

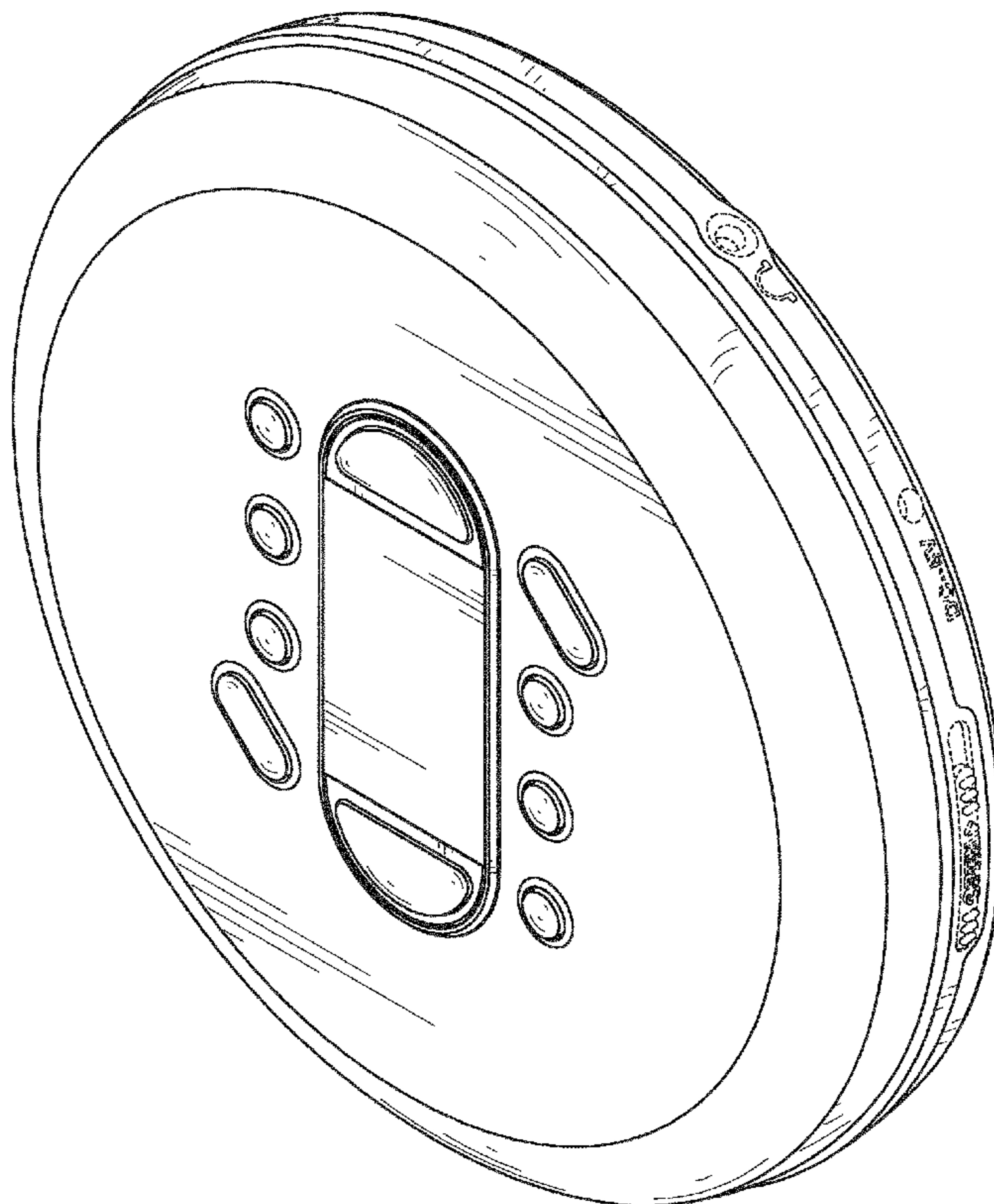
(57) **CLAIM**

The ornamental design for a CD player, as shown and described.

DESCRIPTION

FIG. 1 is a front, right side, top perspective view of a CD player showing my new design;
FIG. 2 is a rear, left side, bottom side bottom perspective view thereof;
FIG. 3 is a front elevational view thereof;
FIG. 4 is a rear elevational view thereof;
FIG. 5 is a left side elevational view thereof;
FIG. 6 is a right side elevational view thereof;
FIG. 7 is a top plan view thereof; and,
FIG. 8 is a bottom plan view thereof.
The broken lines depict portions of the CD player that form no part of the claimed design.

1 Claim, 8 Drawing Sheets



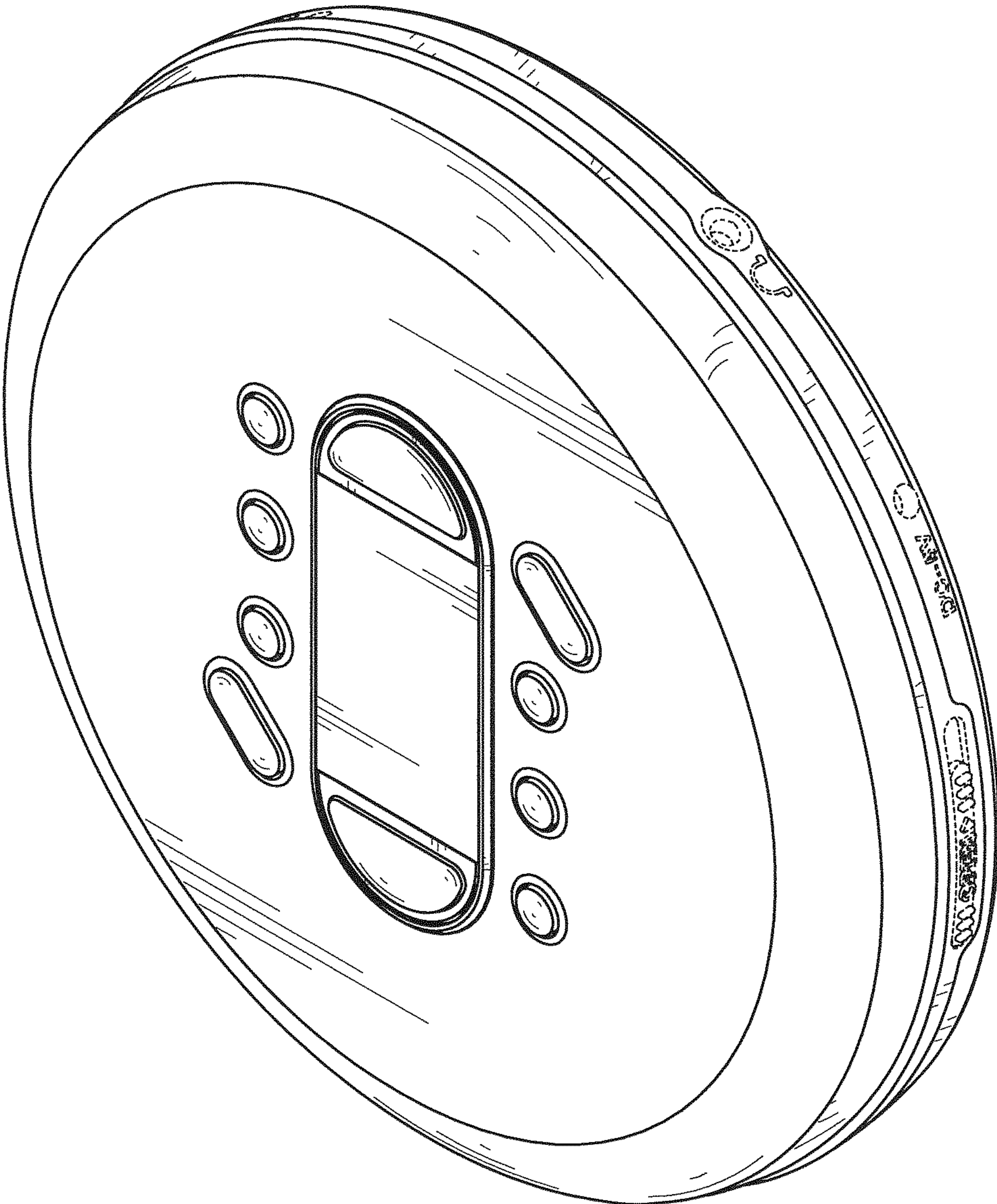


FIG. 1

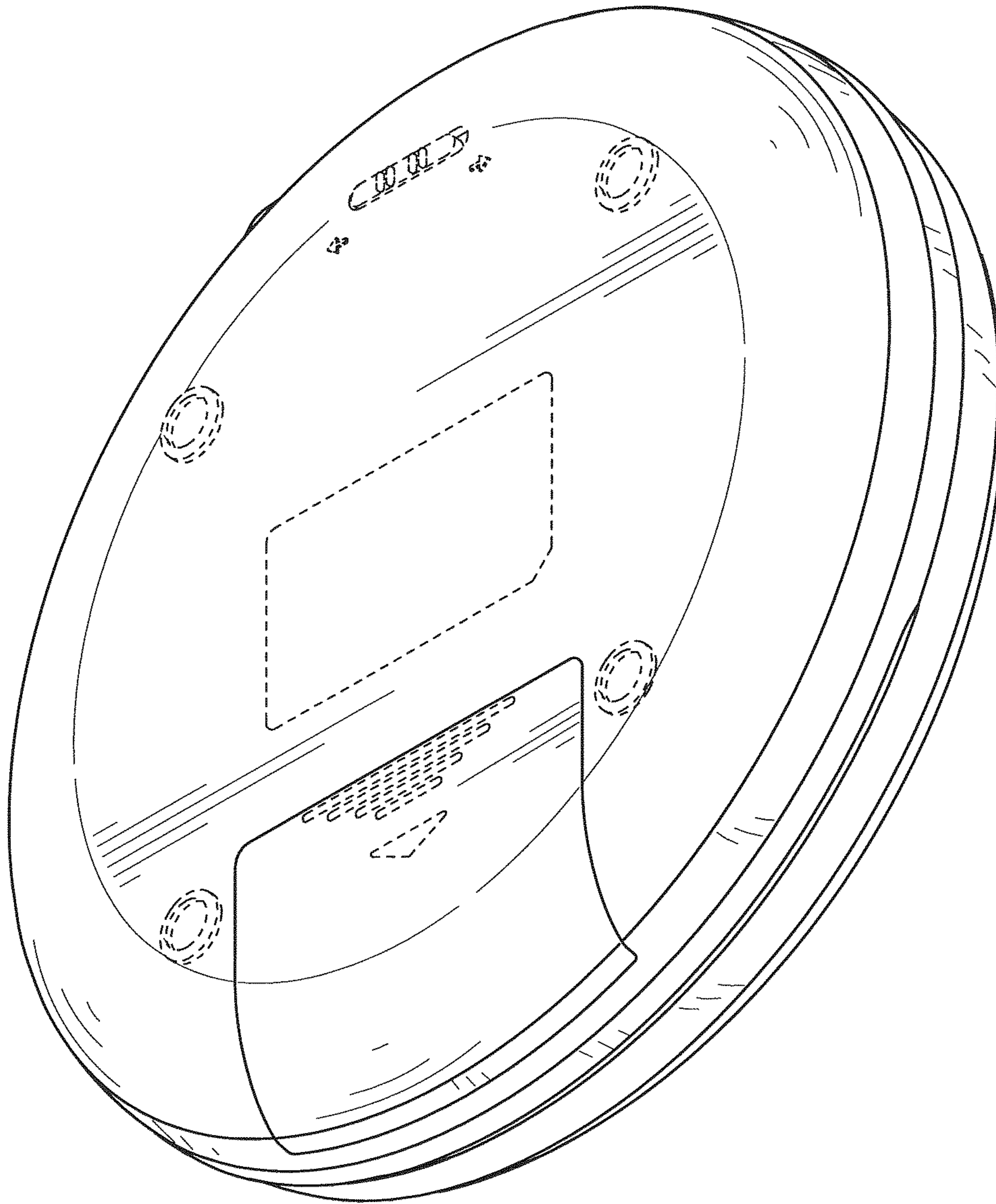


FIG. 2

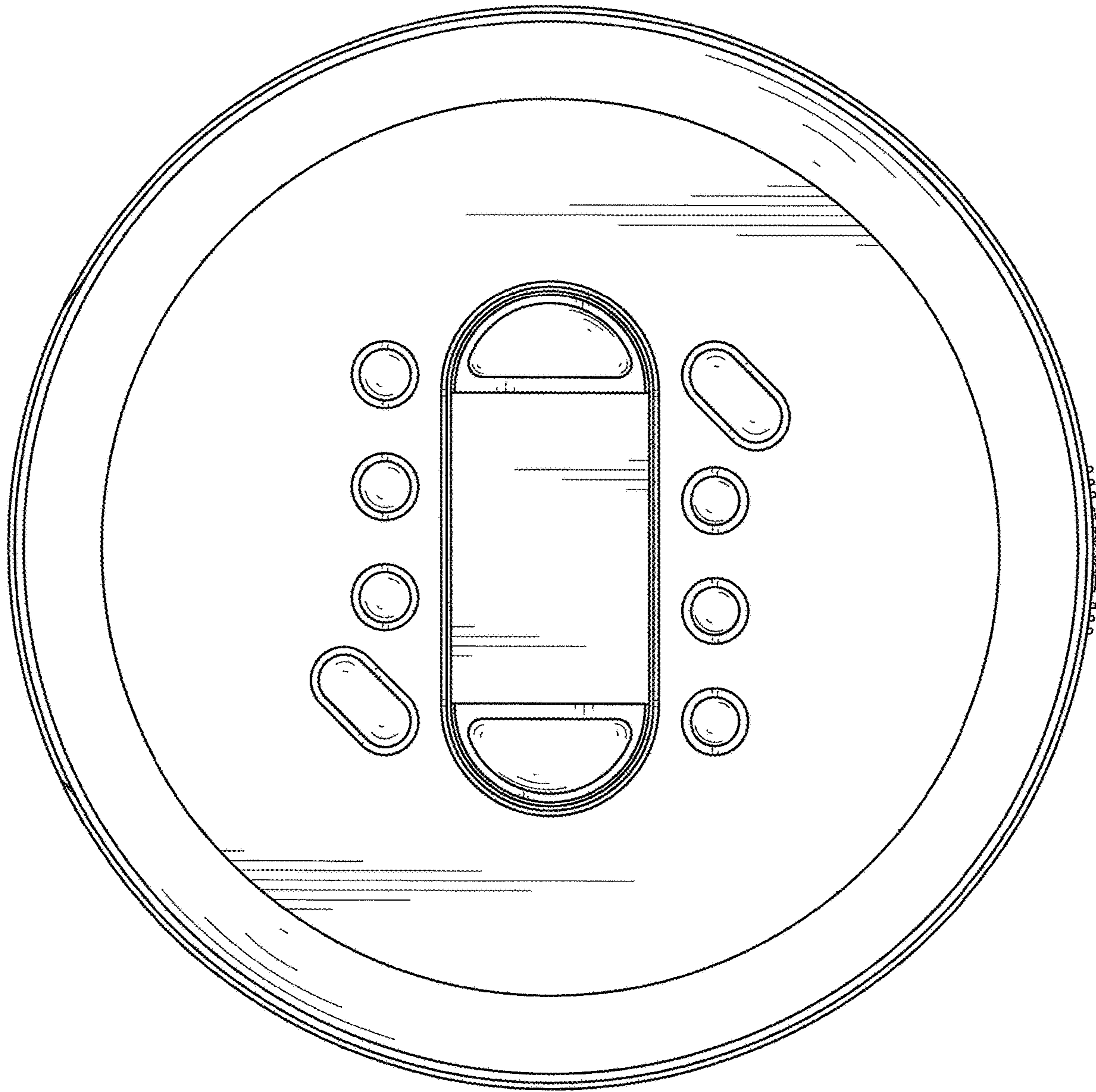


FIG. 3

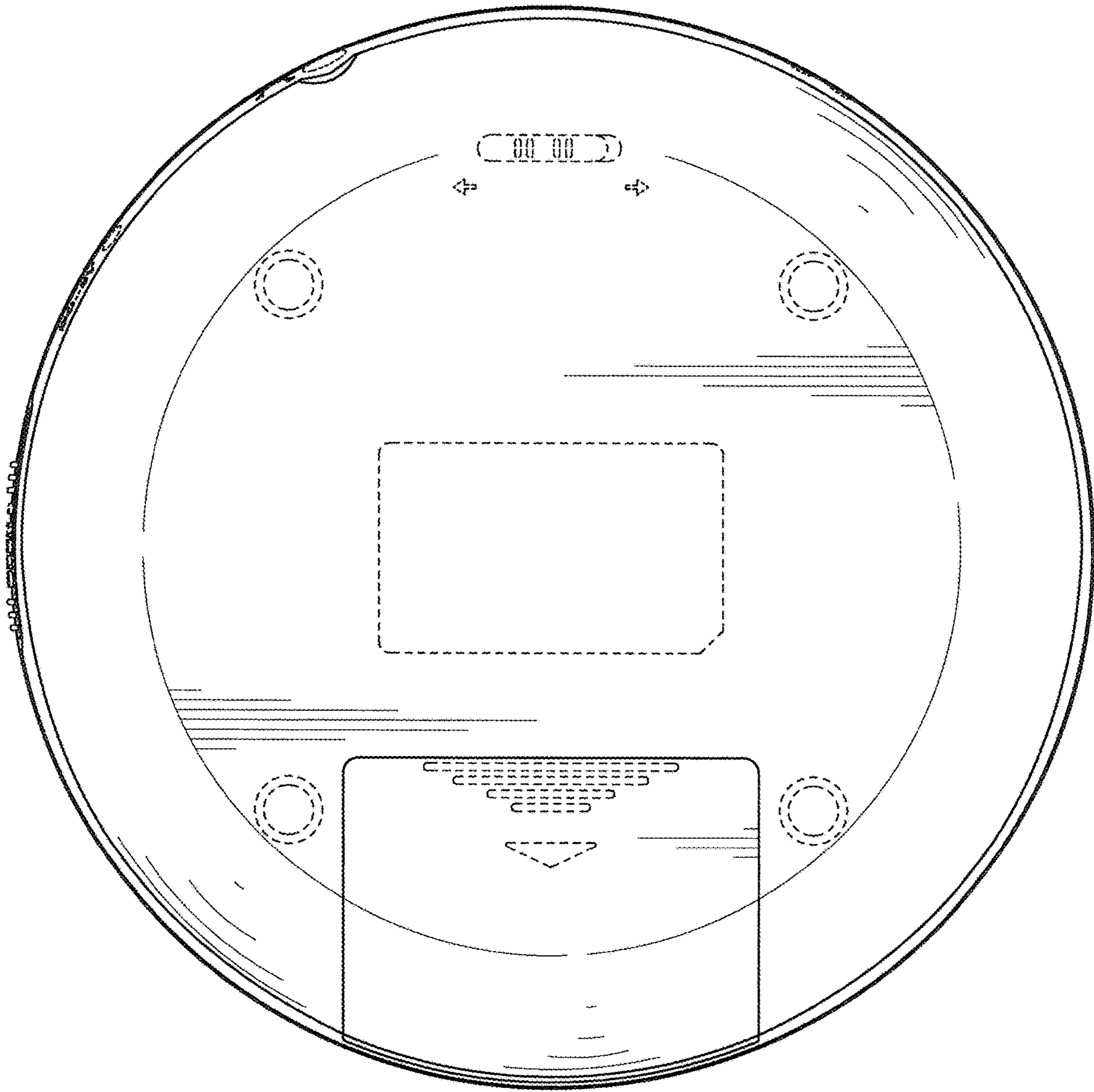


FIG. 4

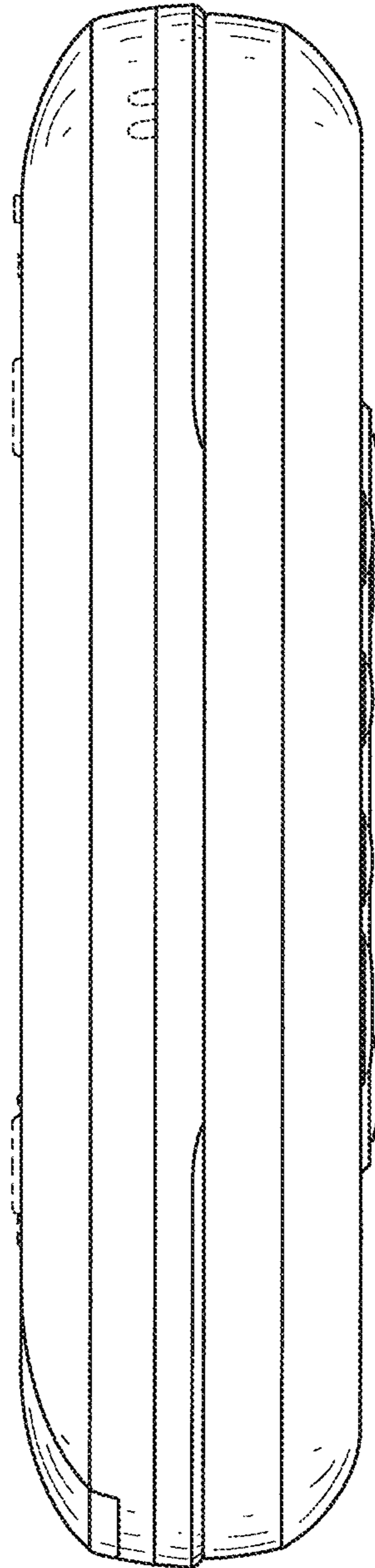


FIG. 5

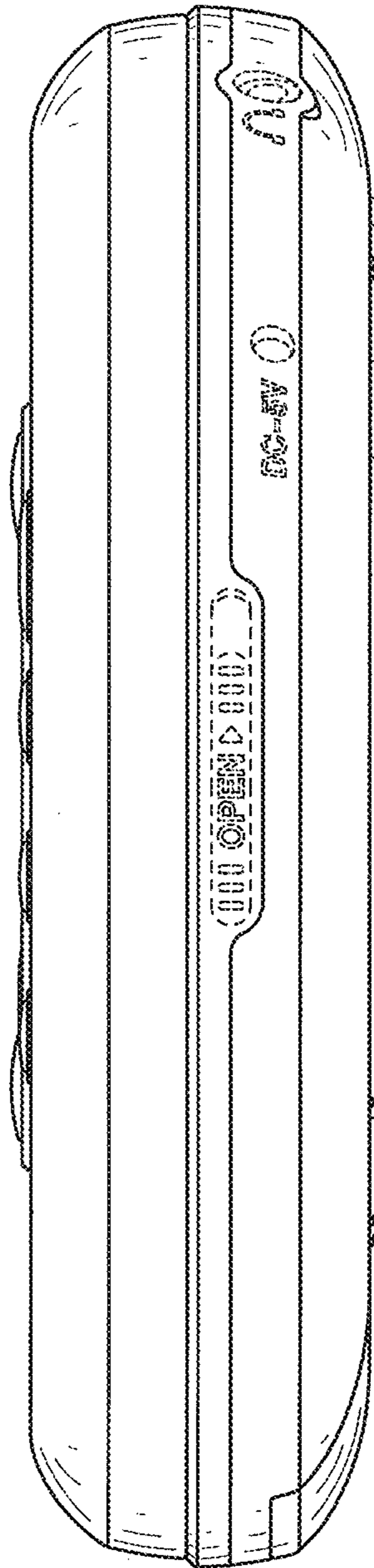


FIG. 6

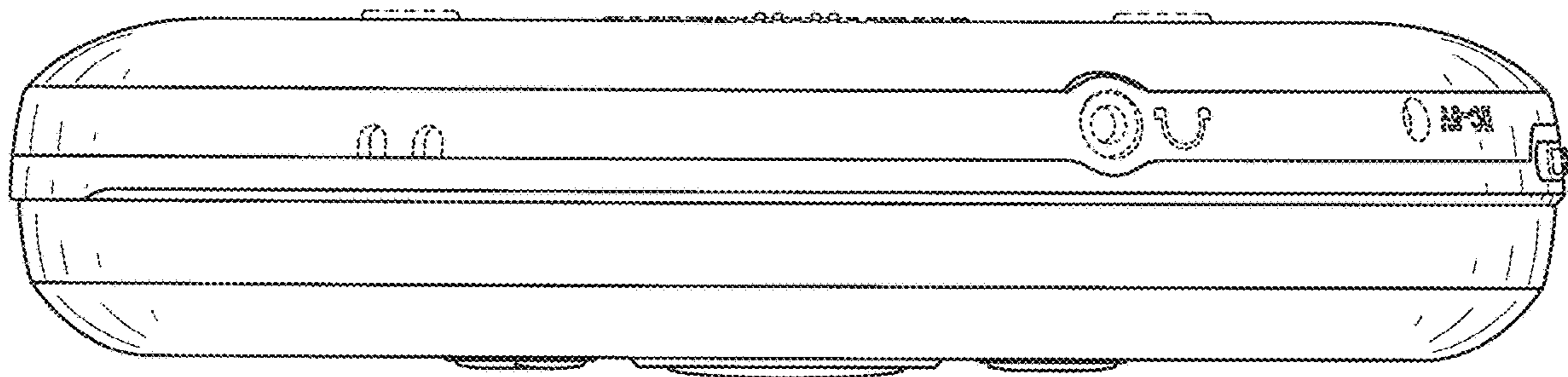


FIG. 7

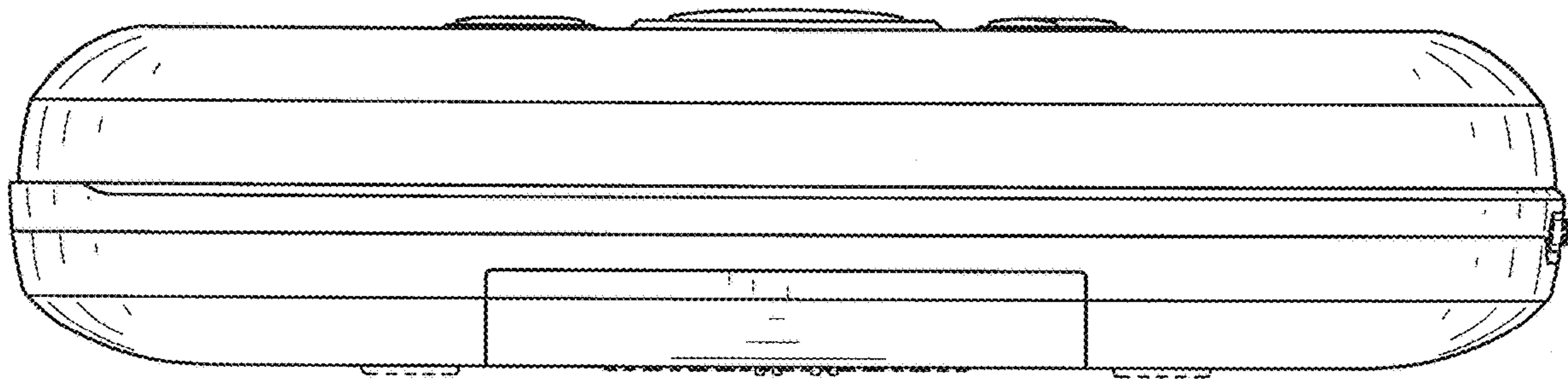


FIG. 8