



US00D911387S

(12) **United States Design Patent** (10) **Patent No.:** **US D911,387 S**
Carrigan et al. (45) **Date of Patent:** **** Feb. 23, 2021**

(54) **ELECTRONIC DEVICE WITH ICON**

H04N 21/00; H04N 21/234; H04N 21/431; H04N 21/4312; H04N 21/4314; H04N 21/4316

(71) Applicant: **Apple Inc.**, Cupertino, CA (US)

See application file for complete search history.

(72) Inventors: **Taylor Gerard Carrigan**, San Francisco, CA (US); **Alan C. Dye**, San Francisco, CA (US); **Jonathan P. Ive**, San Francisco, CA (US); **Wan Si Wan**, Sunnyvale, CA (US)

(56) **References Cited**

U.S. PATENT DOCUMENTS

D583,825 S	*	12/2008	Hasegawa	D14/492
D587,279 S	*	2/2009	Hasegawa	D14/492
D635,582 S	*	4/2011	Okumura	D14/492
D659,159 S		5/2012	Matas		

(Continued)

(73) Assignee: **Apple Inc.**, Cupertino, CA (US)

(**) Term: **15 Years**

FOREIGN PATENT DOCUMENTS

(21) Appl. No.: **29/706,716**

WO WO DM/087 028 6/2015

(22) Filed: **Sep. 23, 2019**

OTHER PUBLICATIONS

Related U.S. Application Data

“Phone.” iconfinder.com. Apr. 11, 2019. Accessed Jun. 18, 2020. Available online at URL: <https://www.iconfinder.com/iconsets/phone-47> (Year: 2019).*

(63) Continuation of application No. 29/649,907, filed on Jun. 3, 2018, now Pat. No. Des. 861,037.

(Continued)

(51) **LOC (13) Cl.** **14-04**

(52) **U.S. Cl.**
USPC **D14/492**

Primary Examiner — Christian P. McLean
(74) *Attorney, Agent, or Firm* — Sterne, Kessler, Goldstein & Fox P.L.L.C.

(58) **Field of Classification Search**
USPC D14/485–495

CPC G06F 3/048; G06F 3/0481; G06F 3/04812; G06F 3/04817; G06F 3/0482; G06F 3/0483; G06F 3/0484; G06F 3/04847; G06F 3/0485; G06F 3/04855; G06F 3/04886; G06Q 30/00; H03J 1/00; H03J 1/0008; H03J 1/0016; H03J 1/0025; H04N 5/00; H04N 5/08; H04N 5/14; H04N 5/222; H04N 5/225; H04N 5/232; H04N 5/445; H04N 5/44543; H04N 5/45; H04N 2005/44517; H04N 2005/44521; H04N 2005/44526; H04N 2005/4453; H04N 2005/44534; H04N 2005/44539; H04N 2005/44547; H04N 2005/44556; H04N 2005/4456; H04N 2005/44565; H04N 2005/44569; H04N 2005/44573;

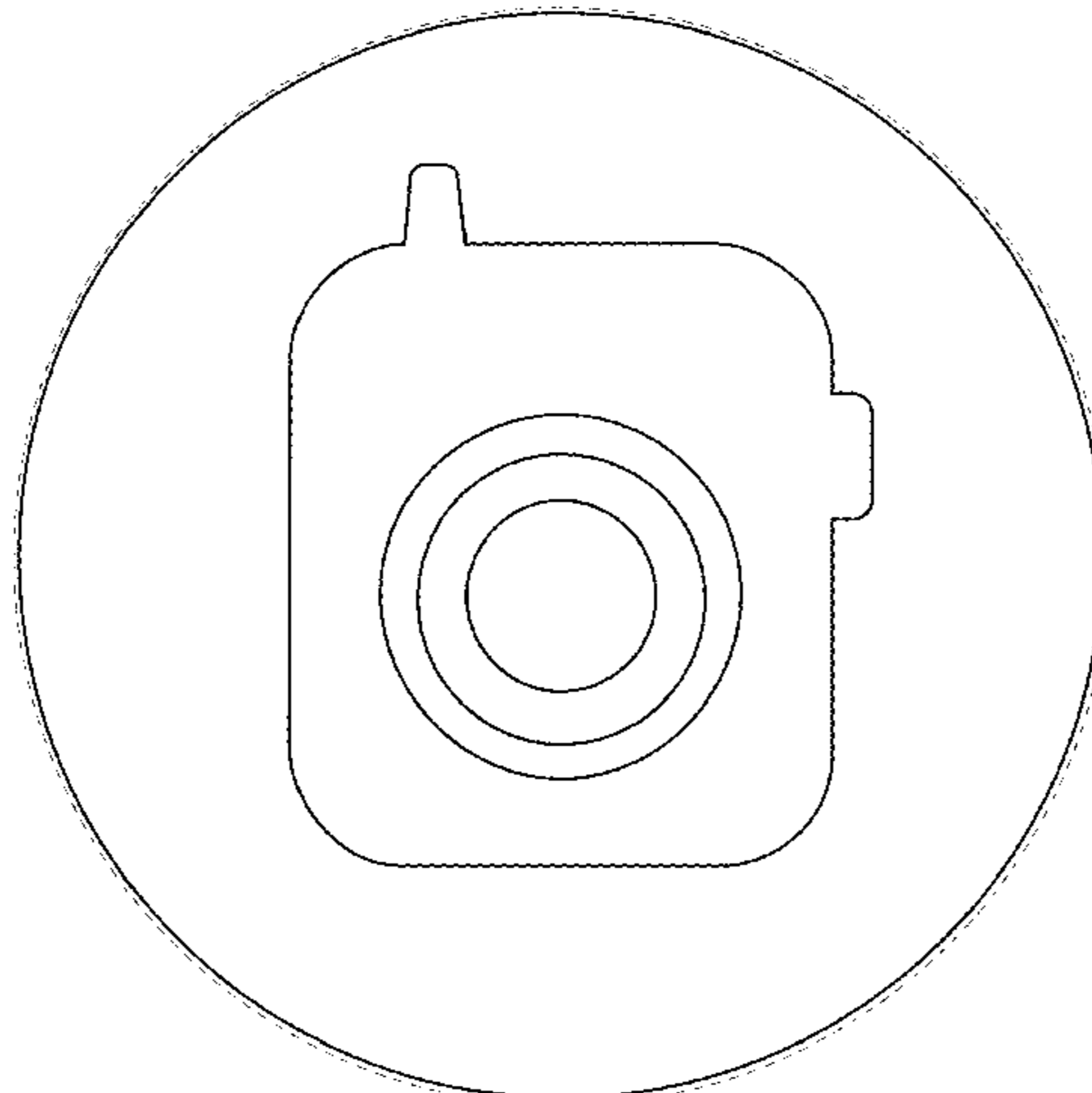
(57) **CLAIM**

The ornamental design for an electronic device with icon, as shown and described.

DESCRIPTION

FIG. 1 is a front view of an electronic device with icon, showing just the icon of FIG. 2 applied to a display screen or portion thereof; and, FIG. 2 is a front view of an electronic device with icon. The broken lines in FIG. 1 show a display screen or portion thereof, and form no part of the claimed design. The broken

(Continued)



lines in FIG. 2 show an electronic device having a display screen, and form no part of the claimed design.

1 Claim, 2 Drawing Sheets

(56)

References Cited

U.S. PATENT DOCUMENTS

D667,453 S * 9/2012 Wujcik D14/492
 D667,457 S * 9/2012 Wujcik D14/492
 D676,868 S 2/2013 Wagner
 D676,870 S * 2/2013 Steele D14/492
 D677,275 S * 3/2013 Wujcik D14/487
 D677,278 S * 3/2013 Wujcik D14/491
 D686,241 S * 7/2013 Steele D14/489
 D687,859 S 8/2013 Oda et al.
 D688,703 S * 8/2013 Phelan D14/492
 D703,227 S 4/2014 Abratowski
 D726,763 S 4/2015 Moon et al.
 D726,764 S * 4/2015 Oh D14/490
 D726,765 S 4/2015 Dye et al.
 D727,356 S * 4/2015 Oh D14/492
 D727,965 S * 4/2015 Kwon D14/492
 D727,966 S 4/2015 Kim et al.
 D730,938 S 6/2015 Ma et al.
 D740,322 S 10/2015 Dye et al.
 D748,135 S * 1/2016 Kim D14/485
 D749,632 S 2/2016 Park et al.
 D753,716 S 4/2016 Torres et al.
 D754,735 S * 4/2016 Yun D14/491
 D756,414 S 5/2016 Jin
 D757,774 S * 5/2016 Iwamoto D14/486
 D761,316 S 7/2016 Park et al.
 D766,954 S 9/2016 Smith
 D771,134 S 11/2016 Lee et al.
 D771,136 S 11/2016 Lee et al.
 D774,093 S 12/2016 Dye et al.
 D775,207 S 12/2016 Vulk et al.
 D779,556 S 2/2017 Yuk
 D788,161 S 5/2017 Bauer et al.
 D792,444 S 7/2017 Cho et al.
 D801,388 S * 10/2017 Sun D14/492
 D803,848 S * 11/2017 Hwang D14/485
 D807,917 S 1/2018 Kang
 D812,624 S 3/2018 Kim et al.

D818,490 S 5/2018 Jang et al.
 D824,957 S * 8/2018 Seo D14/491
 D829,222 S * 9/2018 Choi D14/485
 D829,241 S 9/2018 Clapper et al.
 D829,764 S 10/2018 Clapper et al.
 D831,674 S 10/2018 Bauer et al.
 D838,742 S 1/2019 Clapper et al.
 D841,689 S 2/2019 Wang et al.
 D842,896 S * 3/2019 Williams D14/489
 D853,442 S * 7/2019 Lee D14/492
 D858,570 S * 9/2019 Palacio D14/489
 D861,037 S 9/2019 Carrigan et al.
 D867,396 S * 11/2019 Ingel D14/492
 D881,940 S * 4/2020 Lee D14/492
 2020/0201534 A1 * 6/2020 Chen G06F 3/0481

OTHER PUBLICATIONS

Im, David. "Nikon 1 J1 iOS Camera icon." dribbble.com. Aug. 13, 2012. Accessed Jun. 18, 2020. Available online at URL: <https://dribbble.com/shots/685742-Nikon-1-J1-iOS-Camera-icon> (Year: 2012).*

Im, David. "Camera icon v2." dribbble.com. Mar. 21, 2011. Accessed Jun. 18, 2020. Available online at URL: <https://dribbble.com/shots/134270-Camera-icon-v2> (Year: 2011).*

"Images Icons—Rounded." iconfinder.com. Added Dec. 5, 2014. Accessed Jun. 5, 2019. Available online at URL: <https://www.iconfinder.com/iconsets/images-icons-rounded> (Year: 2014).

Alexis, Josy Dom. "We by Flat vol. 1." iconfinder.com. Added Jun. 4, 2016. Accessed Jun. 5, 2019. Available online at URL: <https://www.iconfinder.com/iconsets/weby-flat-vol-1> (Year: 2016).

"Multimedia Line Circle." iconfinder.com. Added Jul. 19, 2016. Accessed Jun. 5, 2019. Available online at URL: <https://www.iconfinder.com/iconsets/multimedia-line-circle> (Year: 2016).

Litvin, Max. "Camera Icon." dribbble.com. Published Apr. 9, 2012. Accessed Jun. 6, 2019. Available online at URL: <https://dribbble.com/shots/507757-Camera-icon> (Year: 2012).

Registered Trademark Serial No. 85881902, Apple Inc., filed Mar. 20, 2013, first used Oct. 12, 2012.

Trademark Serial No. 85040770, Apple Inc., filed May 17, 2010.

Trademark Serial No. 85019343, Apple Inc., filed Apr. 21, 2010, first used Jun. 29, 2007.

Registered Trademark Serial No. 78661217, Apple Inc., filed Jun. 29, 2005, first used Mar. 2005.

Registered Trademark Serial No. 77218458, Apple Inc., filed Jun. 28, 2007, first used Jun. 29, 2007.

* cited by examiner

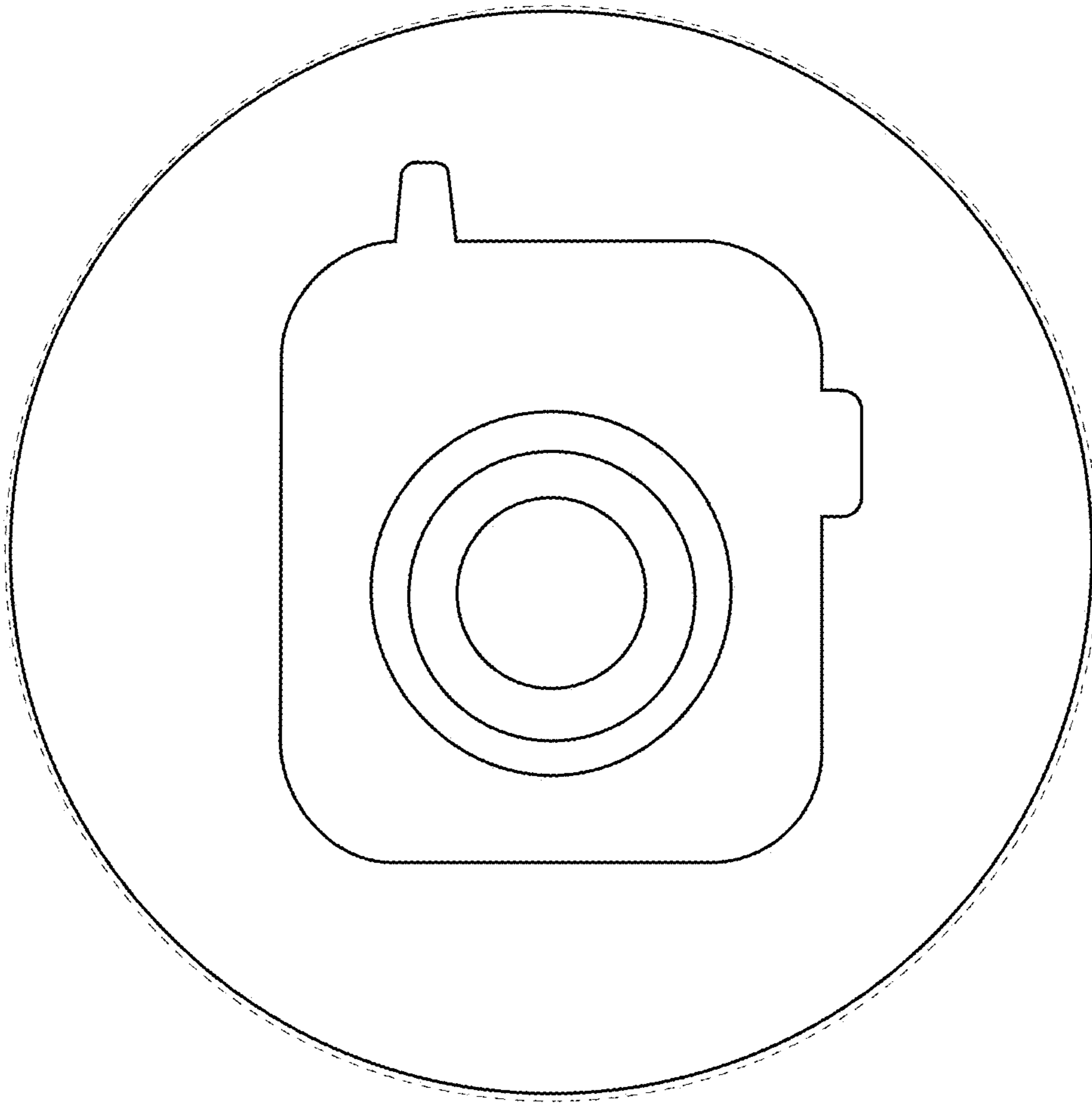


FIG. 1

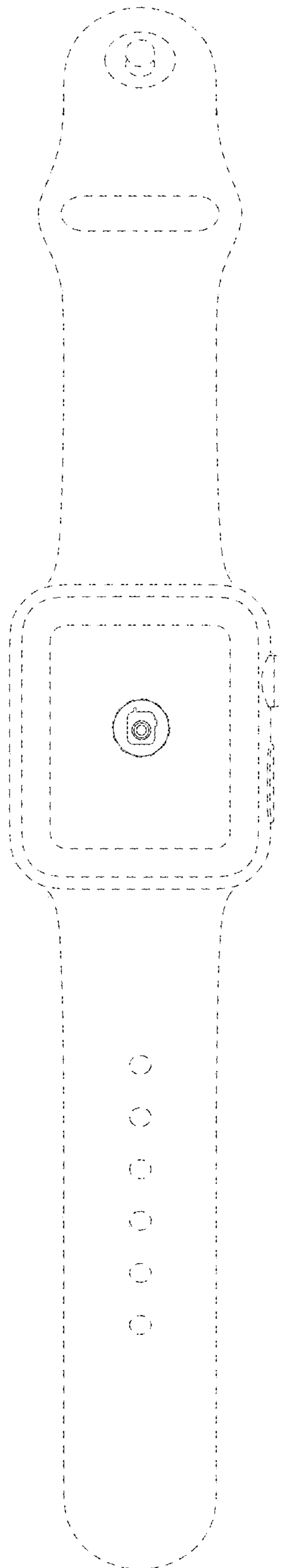


FIG. 2