



US00D911350S

(12) **United States Design Patent**  
**Li**

(10) **Patent No.:** **US D911,350 S**

(45) **Date of Patent:** **\*\* Feb. 23, 2021**

(54) **PROTECTIVE COVER FOR TABLETS**

(71) Applicant: **Shenzhen Honggaoda Industry Co., Ltd.**, Guangdong (CN)

(72) Inventor: **Jianhui Li**, Shenzhen (CN)

(\*\*) Term: **15 Years**

(21) Appl. No.: **29/710,229**

(22) Filed: **Oct. 22, 2019**

(30) **Foreign Application Priority Data**

Sep. 10, 2019 (EM) ..... 006850335

(51) **LOC (13) Cl.** ..... **14-02**

(52) **U.S. Cl.**  
USPC ..... **D14/440**

(58) **Field of Classification Search**  
USPC ..... D14/440, 447, 250; 206/45.23, 320,  
206/45.2; 361/679.55; 294/25; 224/218  
CPC ... G06F 1/1628; G06F 1/1626; A47B 23/044;  
H04B 1/3888  
See application file for complete search history.

(56) **References Cited**

**U.S. PATENT DOCUMENTS**

D689,056 S *	9/2013	Li	.....	D14/440
D690,704 S *	10/2013	Padilla	.....	D14/440
D691,144 S *	10/2013	Peters	.....	D14/440
D691,146 S *	10/2013	Perez	.....	D14/440
D727,917 S *	4/2015	Yeo	.....	D14/440
D733,154 S *	6/2015	Armstrong	.....	D14/440
D752,052 S *	3/2016	Park	.....	D14/440
D763,853 S *	8/2016	Pearce	.....	D14/440
D766,249 S *	9/2016	Veltz	.....	D14/440
D784,350 S *	4/2017	Li	.....	D14/440
D784,542 S *	4/2017	Zwierstra	.....	D24/186
D790,550 S *	6/2017	Chen	.....	D14/440
D803,221 S *	11/2017	Guo	.....	D14/440

D806,080 S *	12/2017	Chen	.....	D14/440
D807,366 S *	1/2018	Chen	.....	D14/440
D807,369 S *	1/2018	Chen	.....	D14/440
D807,513 S *	1/2018	Eslava	.....	D24/186
D808,973 S *	1/2018	Chen	.....	D14/440
D811,412 S *	2/2018	McCurdy	.....	D14/440
D812,620 S *	3/2018	Cheng	.....	D14/440
D821,405 S *	6/2018	Chen	.....	D14/440
D852,200 S *	6/2019	Chan	.....	D14/440
D854,022 S *	7/2019	Chen	.....	D14/440
D860,212 S *	9/2019	Ahn	.....	D14/440
D862,442 S *	10/2019	Wei	.....	D14/250
D862,478 S *	10/2019	Ahn	.....	D14/440
D862,479 S *	10/2019	Ahn	.....	D14/440
D862,480 S *	10/2019	Chan	.....	D14/440
D879,104 S *	3/2020	Li	.....	D14/440
D879,789 S *	3/2020	Li	.....	D14/440

(Continued)

*Primary Examiner* — Cynthia R Underwood

(74) *Attorney, Agent, or Firm* — ZANIP

(57) **CLAIM**

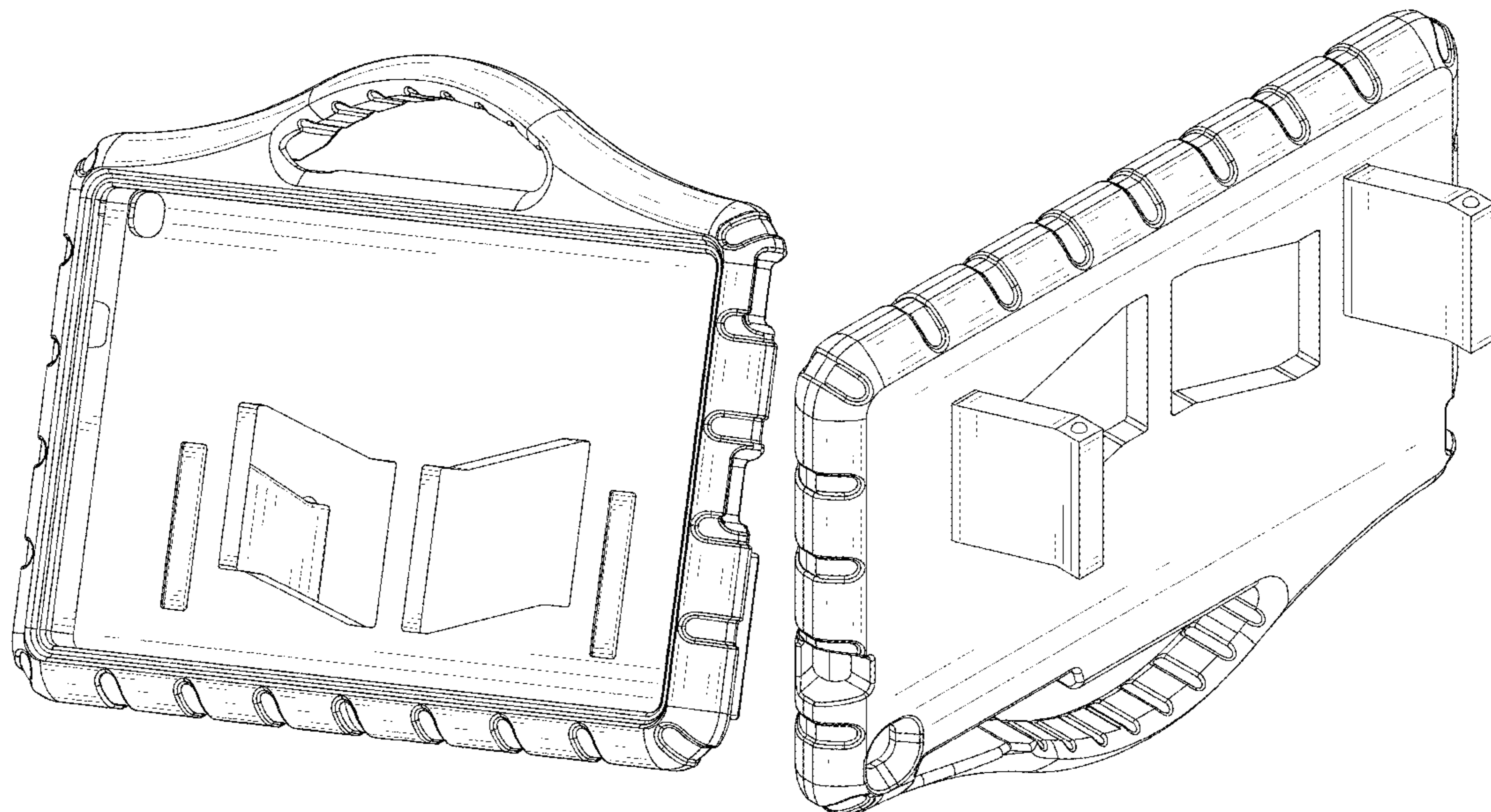
The ornamental design for a protective cover for tablets, as shown and described.

**DESCRIPTION**

FIG. 1 is a front perspective view of a protective cover for tablets, showing my new design;  
FIG. 2 is a rear perspective view thereof;  
FIG. 3 is a front elevational view thereof;  
FIG. 4 is a rear elevational view thereof;  
FIG. 5 is a left side elevational view thereof;  
FIG. 6 is a right side elevational view thereof;  
FIG. 7 is a top plan view thereof;  
FIG. 8 is a bottom plan view thereof; and,  
FIG. 9 is a perspective view showing the protective cover for tablets in a use status.

The broken lines shown in the drawings depict environmental structure that form no part of the claimed design.

**1 Claim, 9 Drawing Sheets**



(56)

**References Cited**

U.S. PATENT DOCUMENTS

D881,197 S *	4/2020	Chen .....	D14/440
D881,893 S *	4/2020	Zanxiang .....	D14/440
D881,894 S *	4/2020	Zhang .....	D14/440
D884,709 S *	5/2020	Cheng .....	D14/440
D886,109 S *	6/2020	Li .....	D14/440
D893,497 S *	8/2020	Li .....	D14/440
D897,349 S *	9/2020	Li .....	D14/440
2007/0113458 A1 *	5/2007	Wang .....	F16M 11/10
			40/753
2012/0075799 A1 *	3/2012	Pollex .....	F16M 11/041
			361/679.56
2012/0145843 A1 *	6/2012	Ho .....	F16M 13/00
			248/176.3
2017/0045920 A1 *	2/2017	Armstrong .....	G06F 1/1669

\* cited by examiner

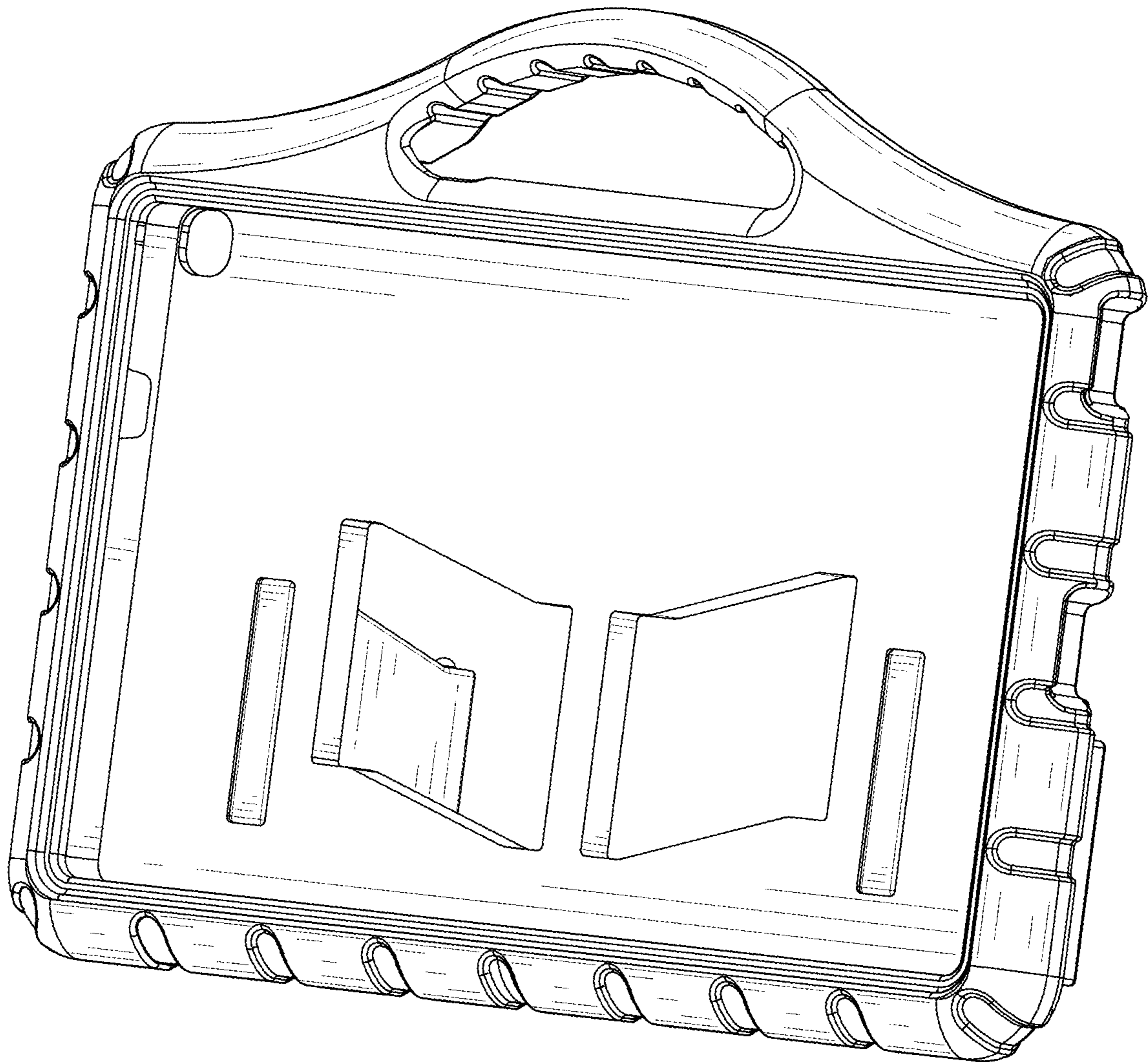


FIG. 1

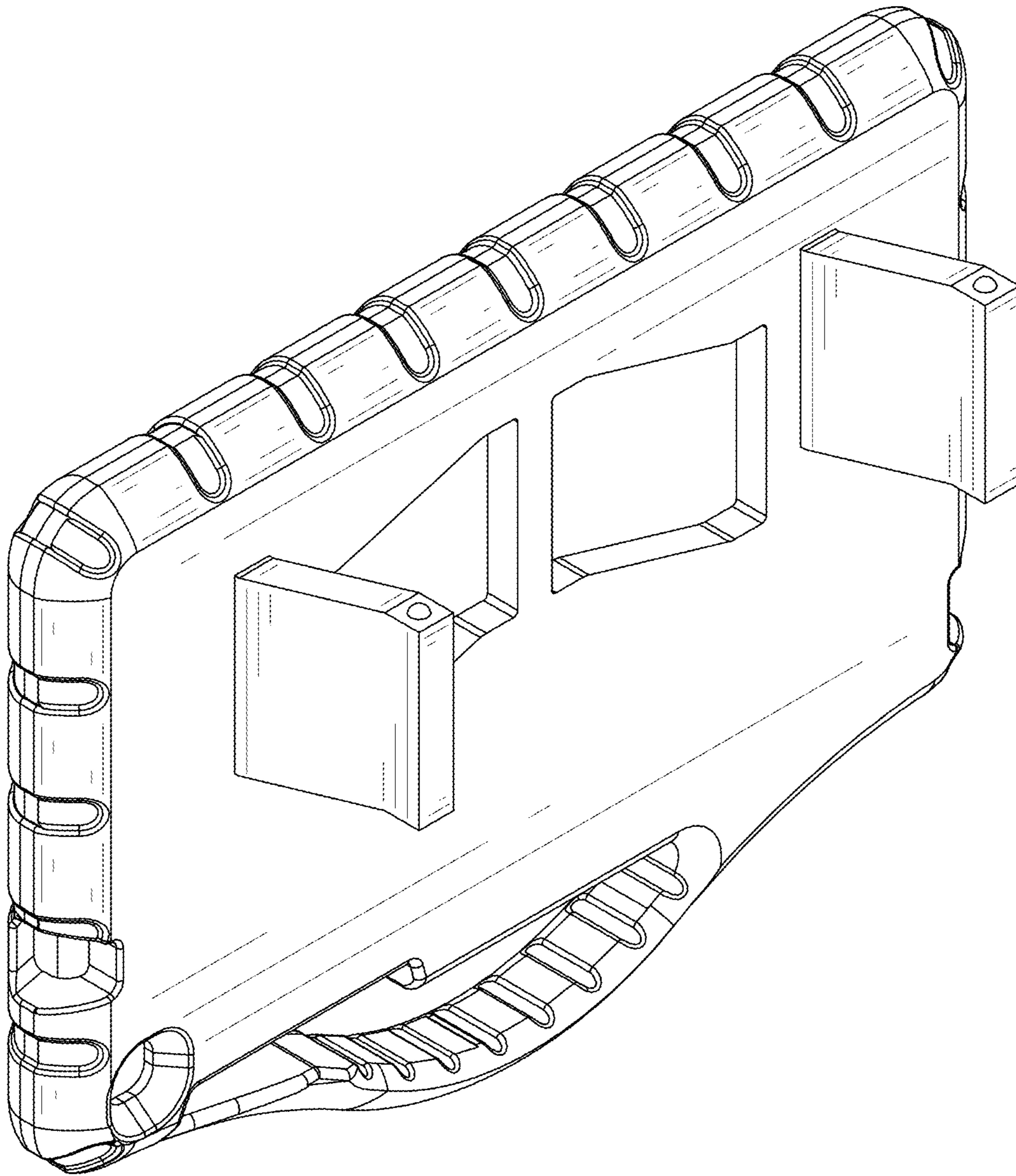


FIG. 2

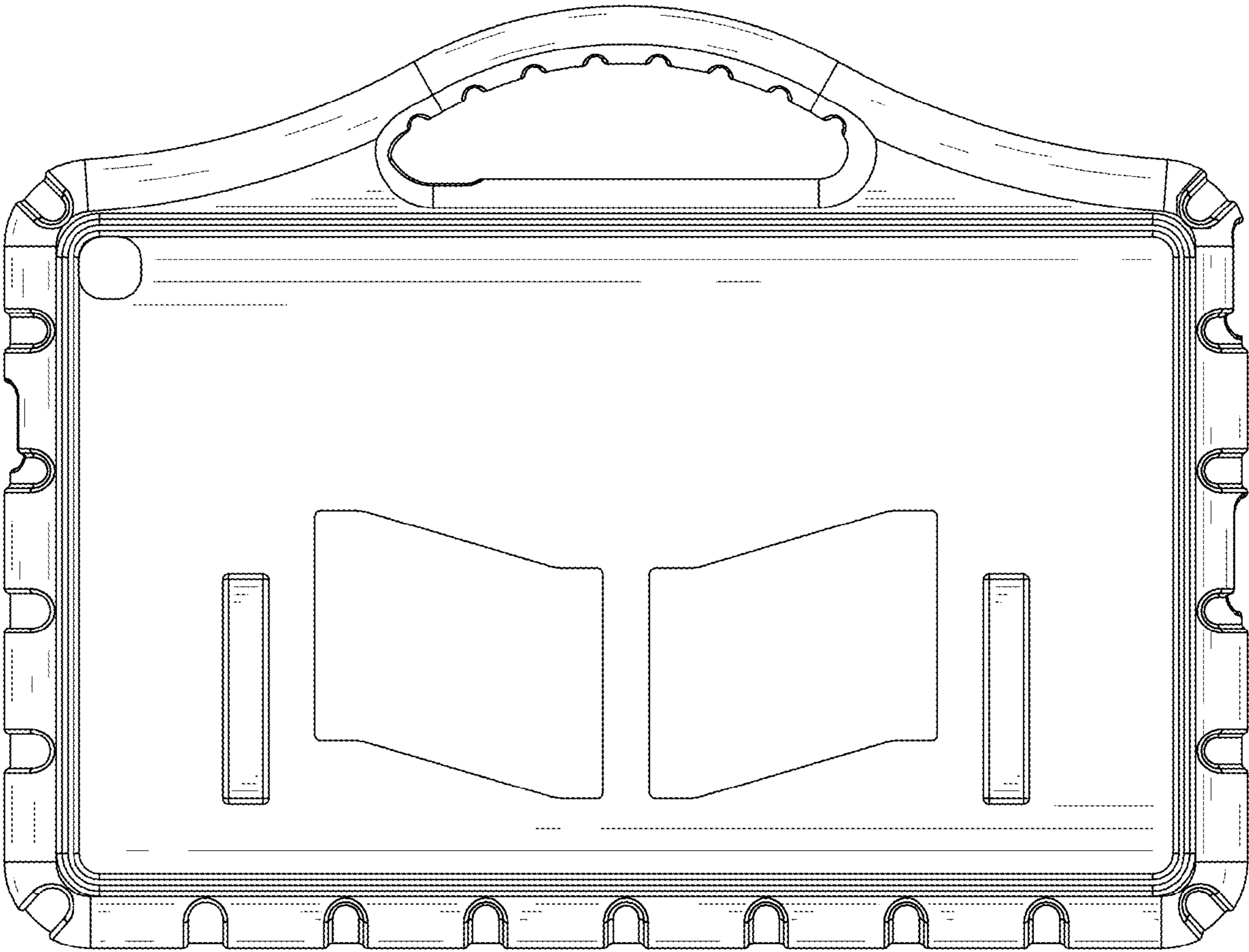


FIG. 3

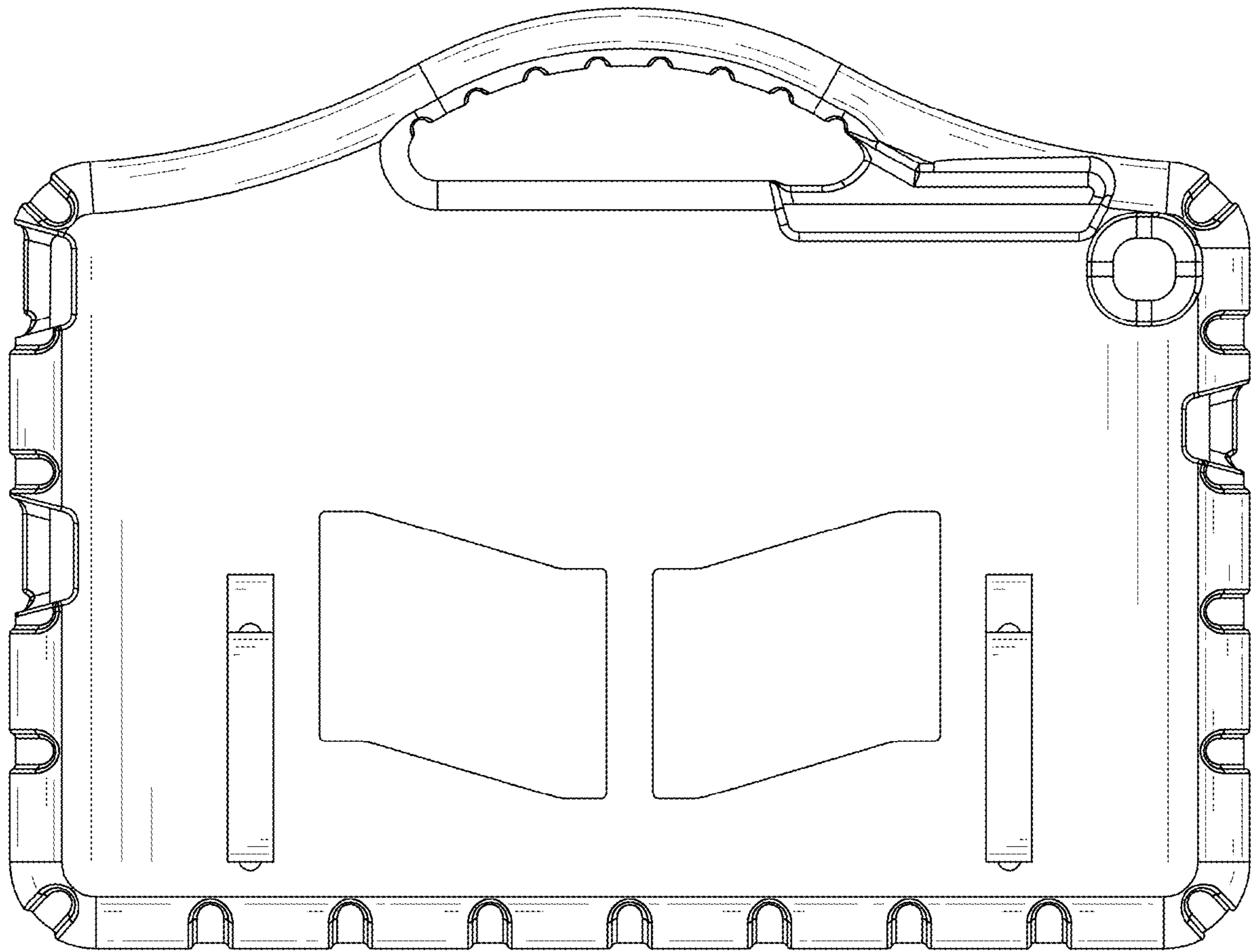


FIG. 4

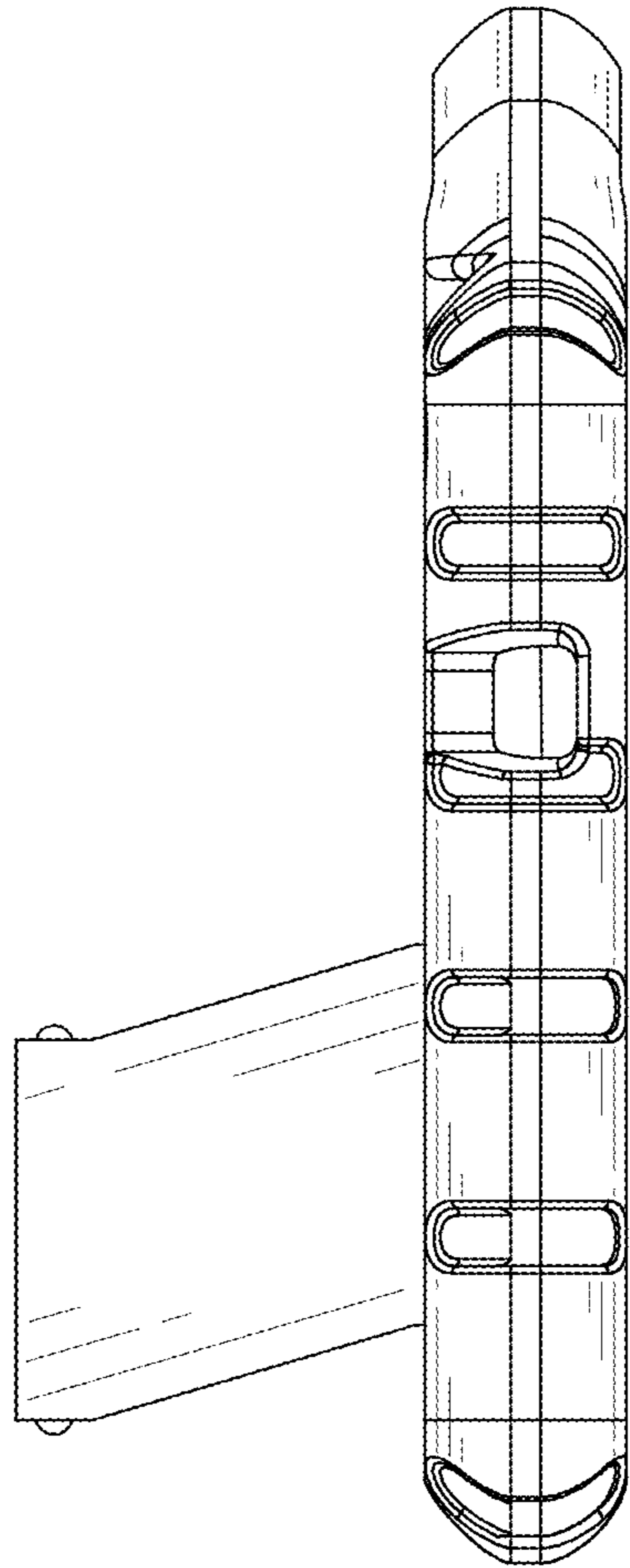


FIG. 5

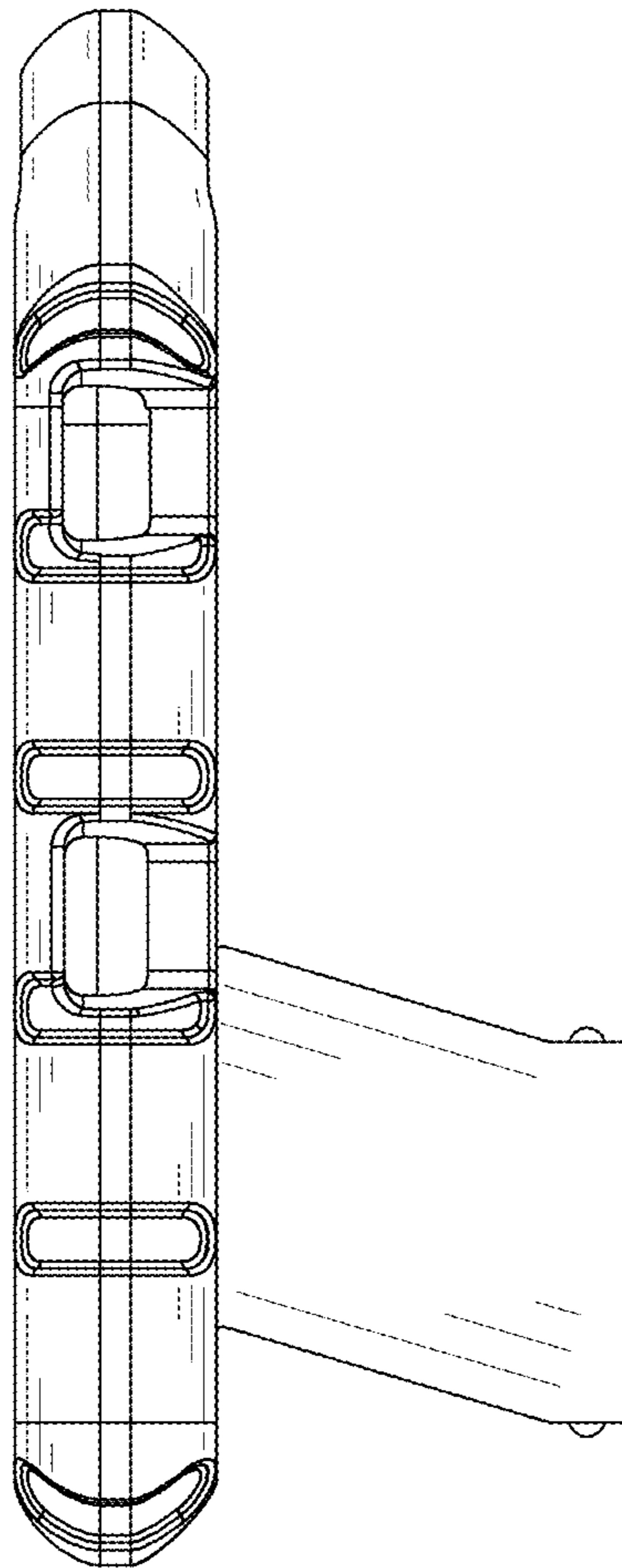


FIG. 6



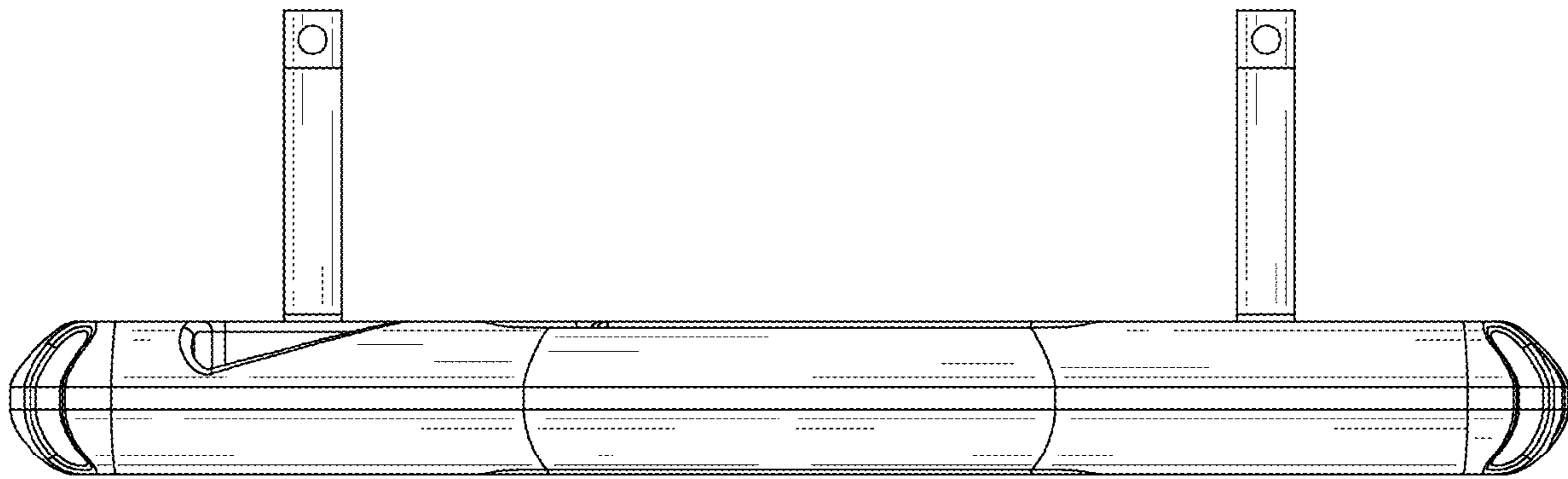


FIG. 7

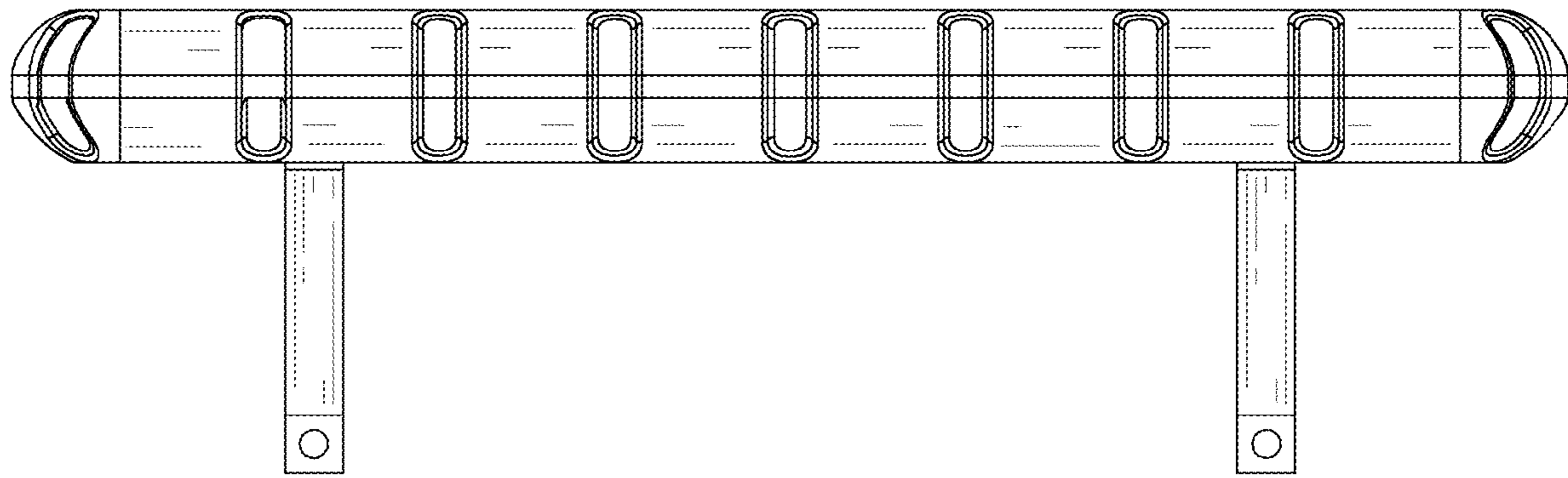


FIG. 8

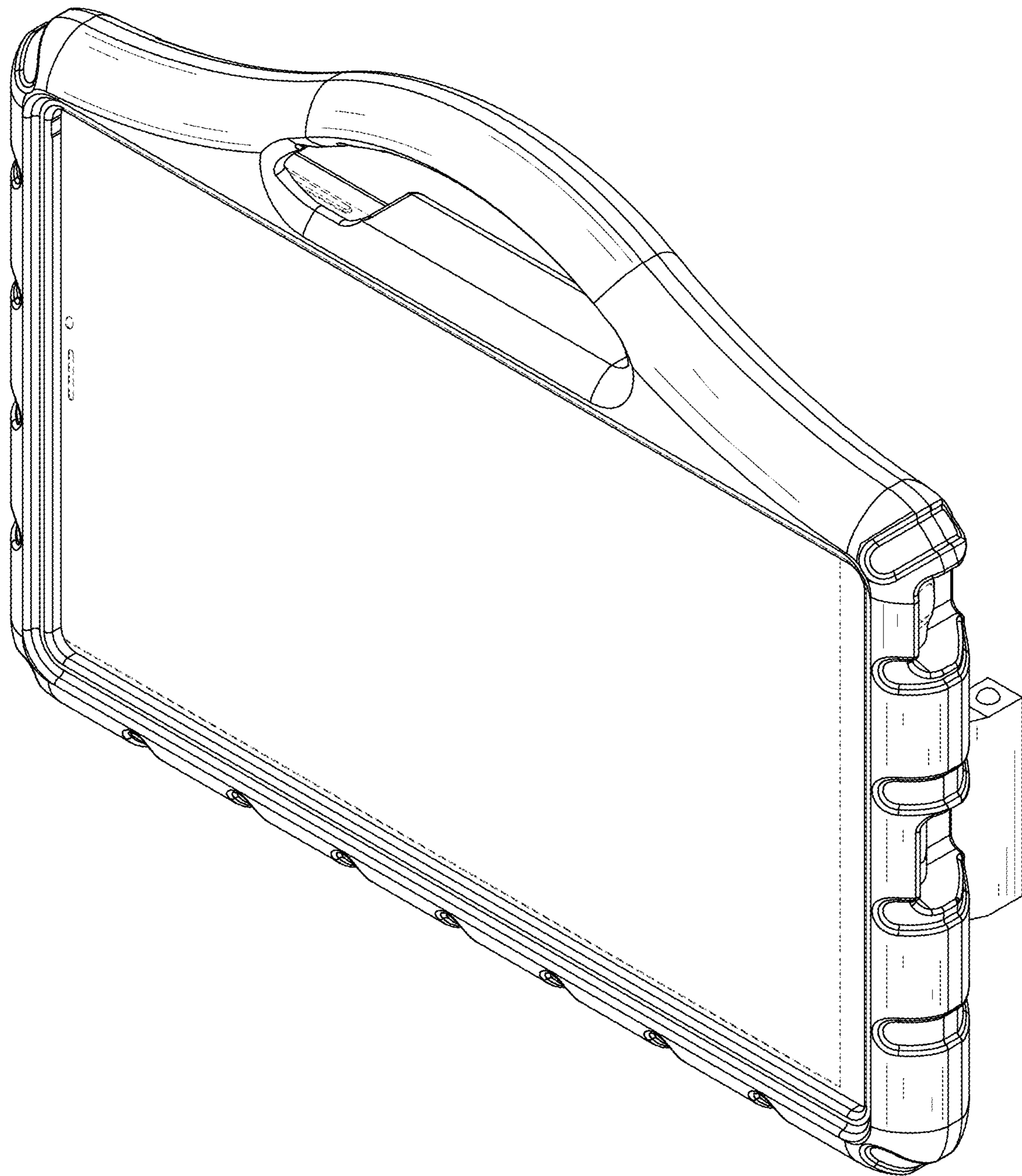


FIG. 9