



US00D911349S

(12) **United States Design Patent**  
**Giazzon**

(10) **Patent No.:** **US D911,349 S**

(45) **Date of Patent:** **\*\* Feb. 23, 2021**

(54) **PROTECTIVE COVER FOR A LAPTOP  
COMPUTER**

(71) Applicant: **MAX Interactive, Inc.**, Costa Mesa,  
CA (US)

(72) Inventor: **Albert George Giazzon**, San Clemente,  
CA (US)

(73) Assignee: **MAX Interactive, Inc.**, Costa Mesa,  
CA (US)

(\*\*) Term: **15 Years**

(21) Appl. No.: **29/708,611**

(22) Filed: **Oct. 8, 2019**

(51) **LOC (13) Cl.** ..... **14-02**

(52) **U.S. Cl.**  
USPC ..... **D14/440**

(58) **Field of Classification Search**  
USPC ..... D14/440, 447, 250; 206/45.23, 320,  
206/45.2; 361/679.55; 294/25; 224/218  
CPC ... G06F 1/1628; G06F 1/1626; A47B 23/044;  
H04B 1/3888  
See application file for complete search history.

(56) **References Cited**

U.S. PATENT DOCUMENTS

D635,555	S	*	4/2011	Giles	.....	D14/217
D668,660	S	*	10/2012	Norfolk	.....	D14/440
D674,803	S	*	1/2013	Westrup	.....	A45C 3/02 D14/440
D678,293	S	*	3/2013	Meehan	.....	D14/440
D687,440	S	*	8/2013	Shieh	.....	D14/447
D704,194	S	*	5/2014	Young	.....	D14/440
D717,804	S	*	11/2014	Budge	.....	D14/447
D718,316	S	*	11/2014	Veltz	.....	D14/440
D719,144	S	*	12/2014	Eulette	.....	D14/250
9,229,494	B2	*	1/2016	Rayner	.....	F16M 13/022

D795,263	S	*	8/2017	Fujioka	.....	D14/440
9,847,806	B1	*	12/2017	Dickie	.....	G06F 1/166
D834,026	S	*	11/2018	Moore	.....	D14/440
D848,435	S	*	5/2019	Moore	.....	D14/440
D888,719	S	*	6/2020	Moore	.....	D14/440
2003/0222149	A1	*	12/2003	Solomon	.....	G06F 1/1669 235/472.01
2006/0042996	A1	*	3/2006	Picot	.....	A45C 13/02 206/586
2012/0043247	A1	*	2/2012	Westrup	.....	G06F 1/1633 206/472
2012/0193496	A1	*	8/2012	Li	.....	F16M 13/00 248/316.1
2015/0156900	A1	*	6/2015	Yeh	.....	A45C 13/002 312/223.1
2016/0135560	A1	*	5/2016	Yeh	.....	H04B 1/3888 224/581
2016/0338459	A1	*	11/2016	Yow	.....	A45C 13/02

\* cited by examiner

*Primary Examiner* — Cynthia R Underwood

(74) *Attorney, Agent, or Firm* — Eric Karich; Karich & Associates

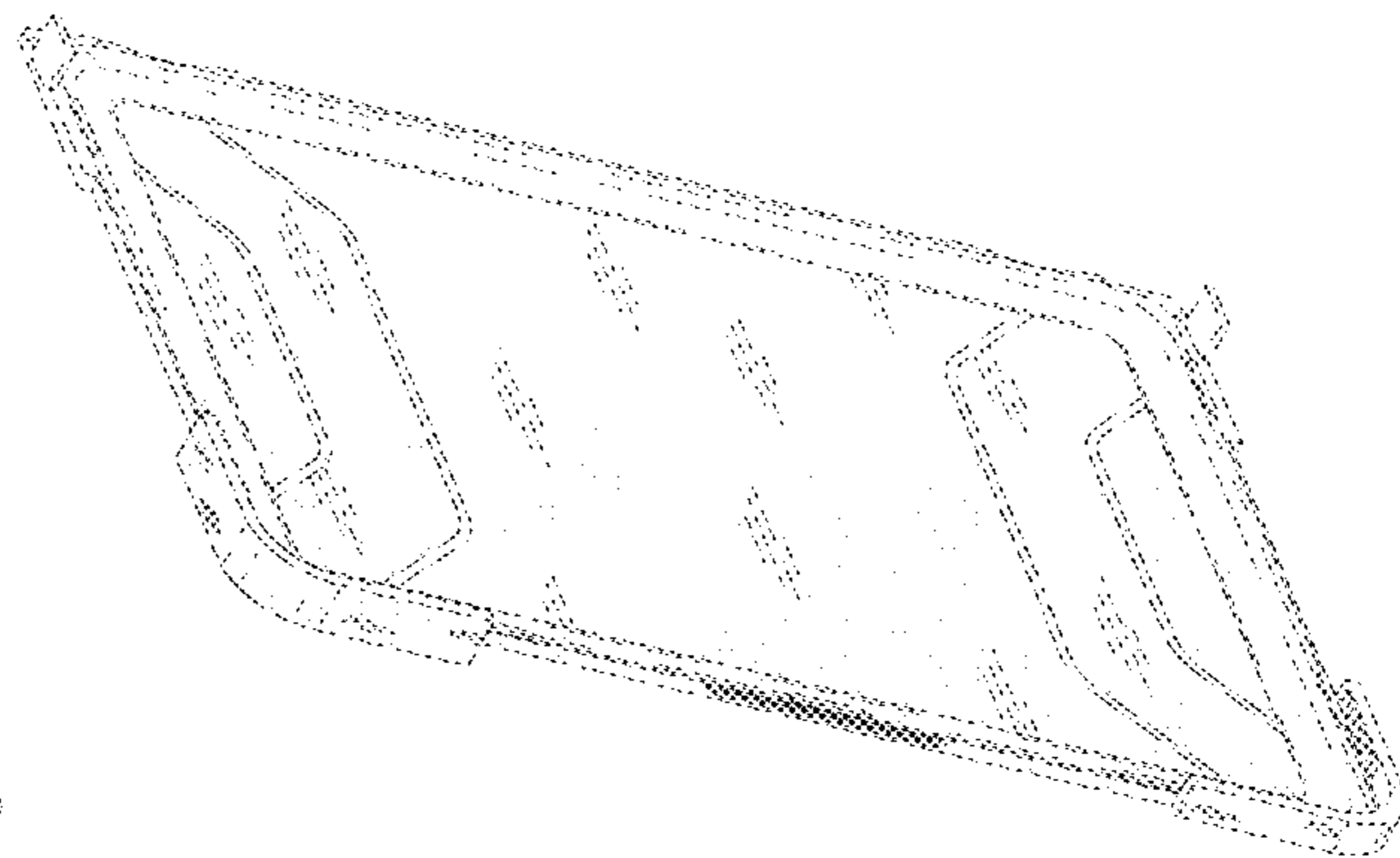
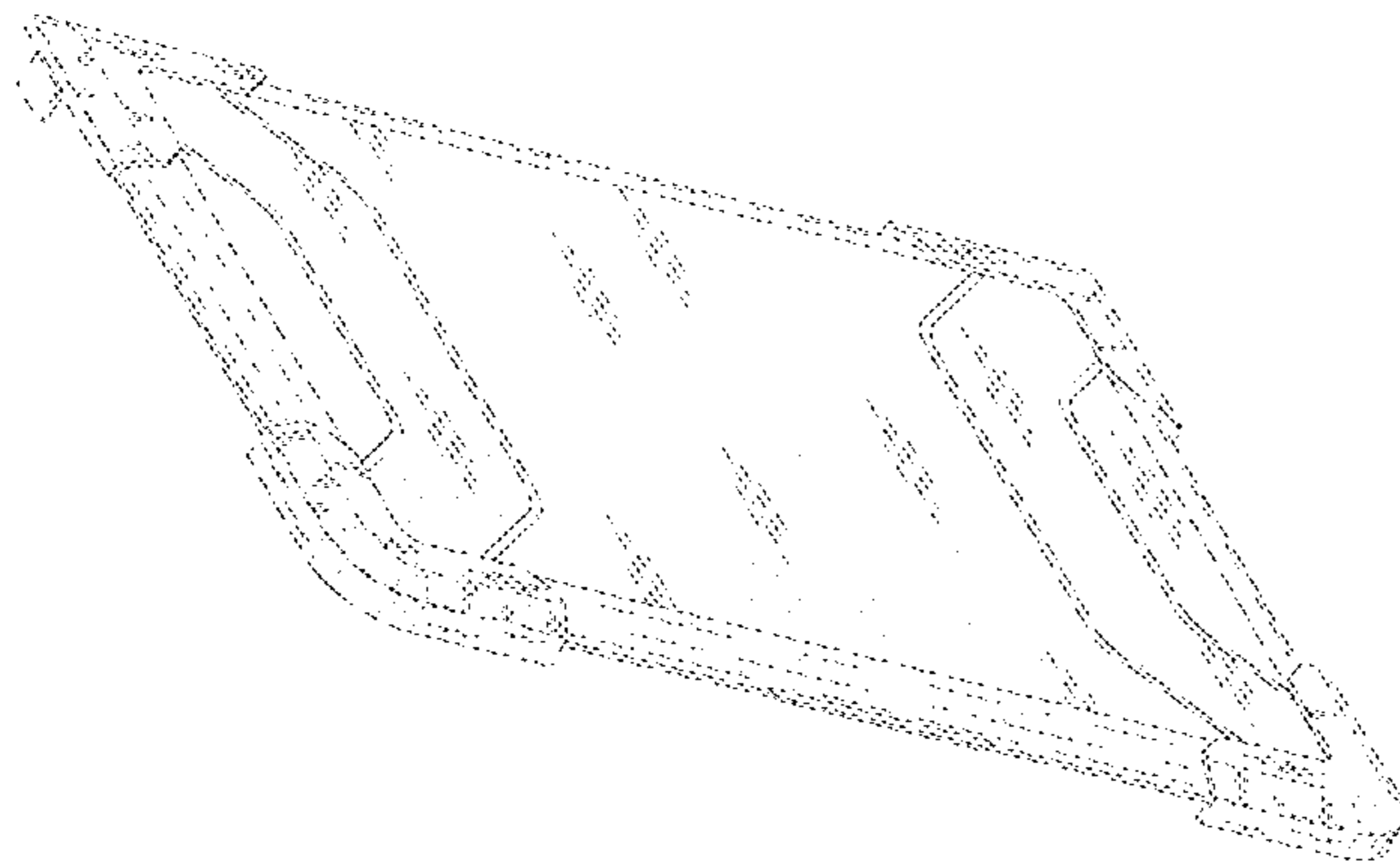
(57) **CLAIM**

The ornamental design for a protective cover for a laptop computer, as shown and described.

**DESCRIPTION**

FIG. 1 is a perspective view of a protective cover for a laptop computer, showing my new design;  
FIG. 2 is a second perspective view thereof;  
FIG. 3 is a front elevational view thereof;  
FIG. 4 is a rear elevational view thereof;  
FIG. 5 is a left side elevational view thereof  
FIG. 6 is a right side elevational view thereof;  
FIG. 7 is a top plan view thereof; and,  
FIG. 8 is a bottom plan view thereof.

**1 Claim, 5 Drawing Sheets**



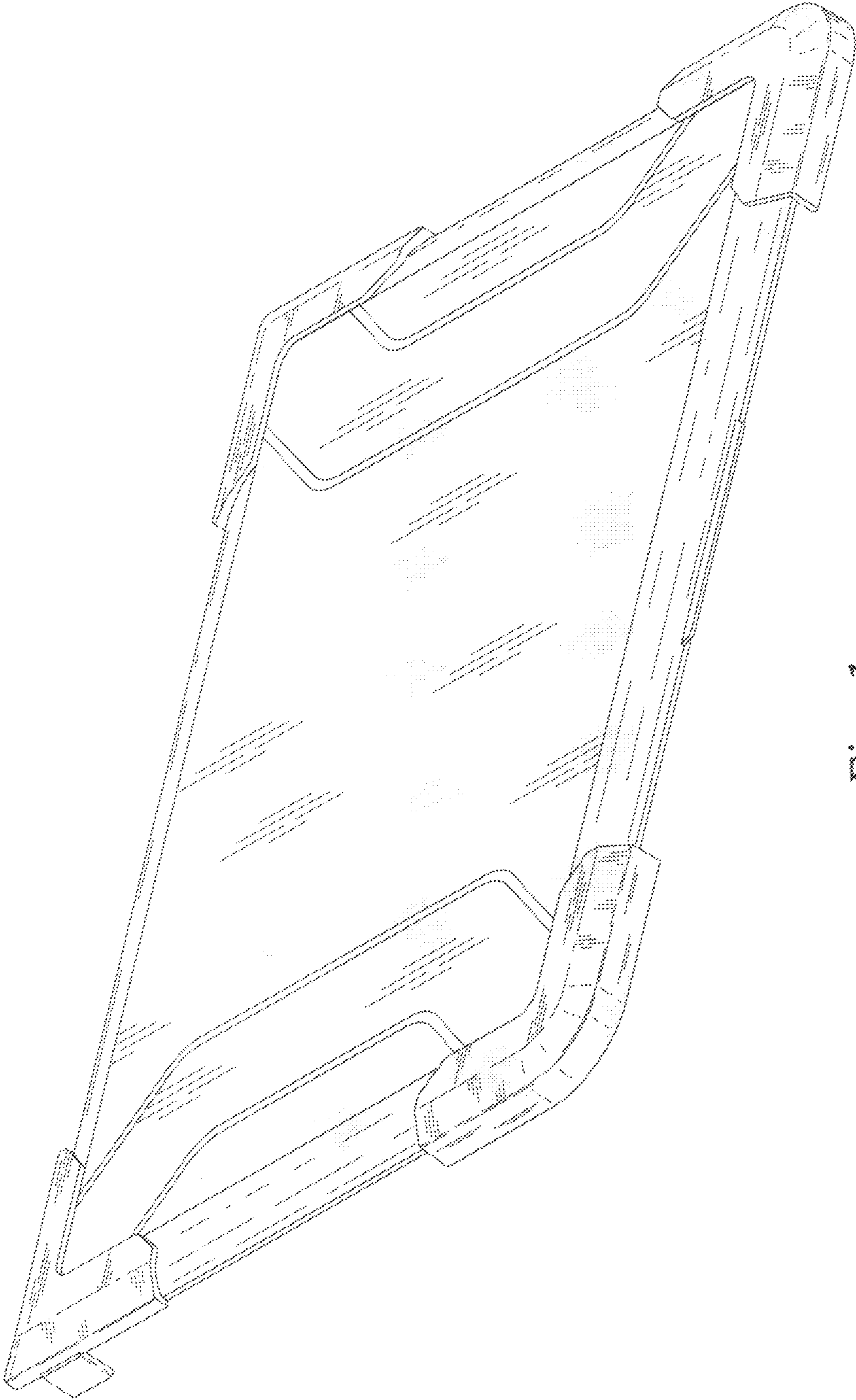


Fig. 1

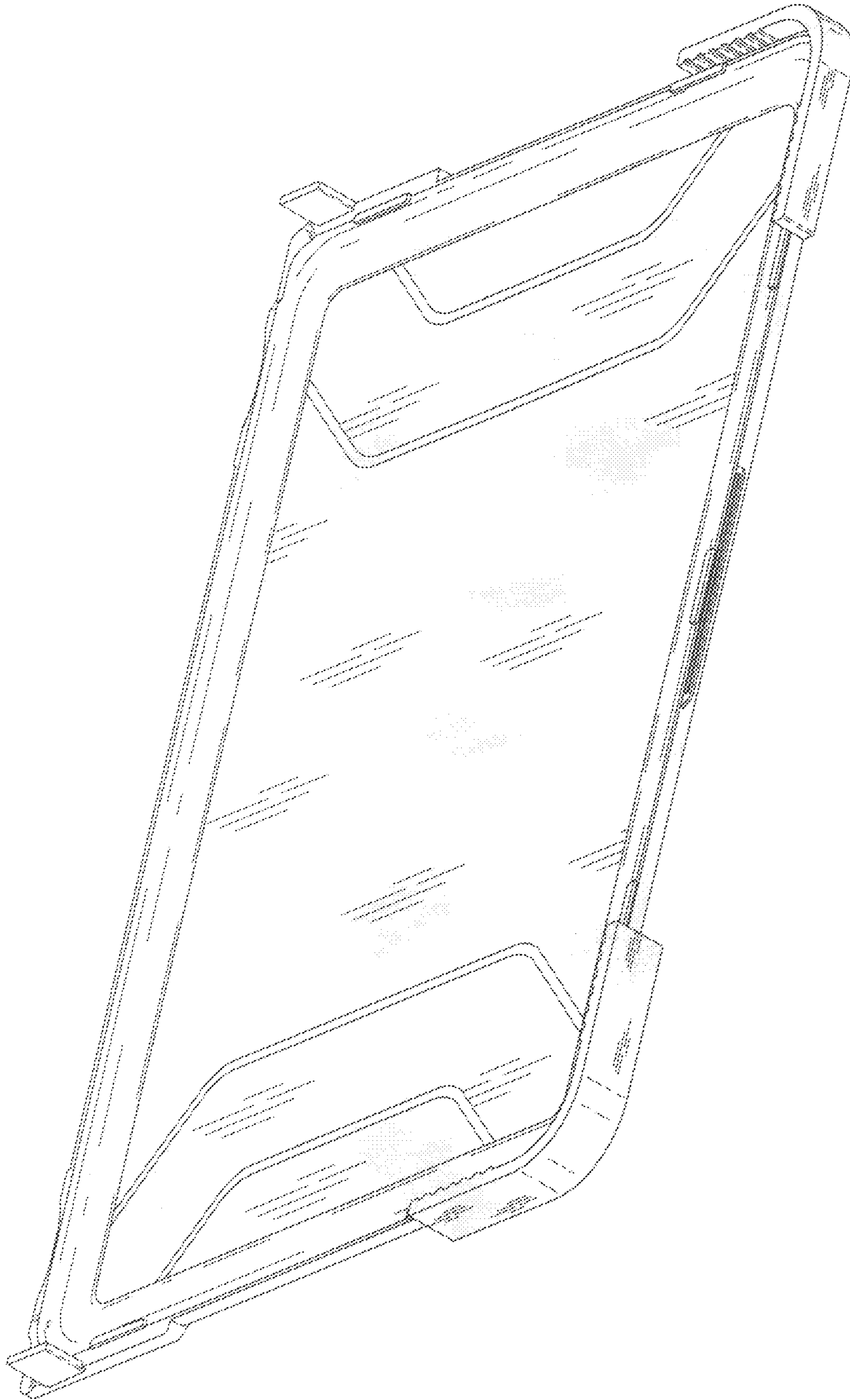
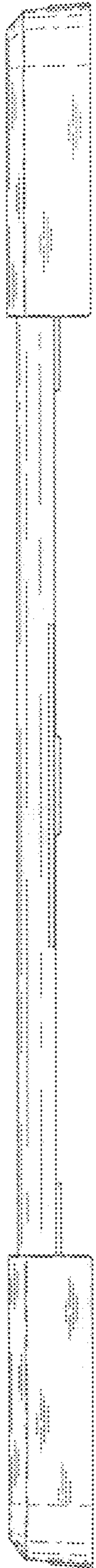
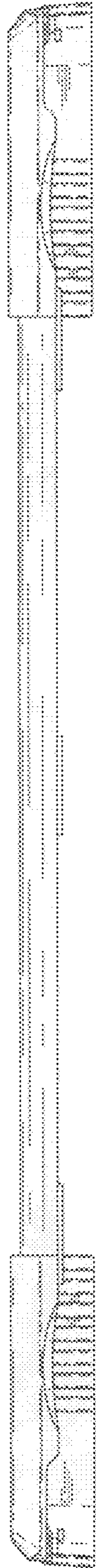


Fig. 2

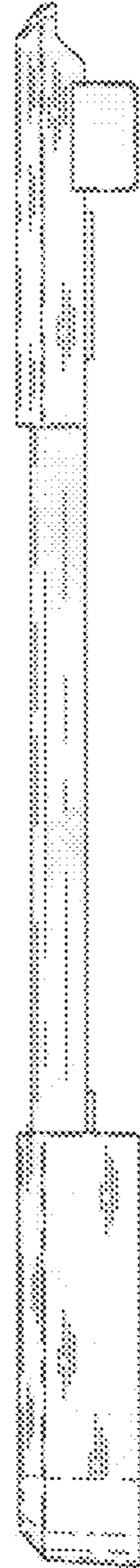




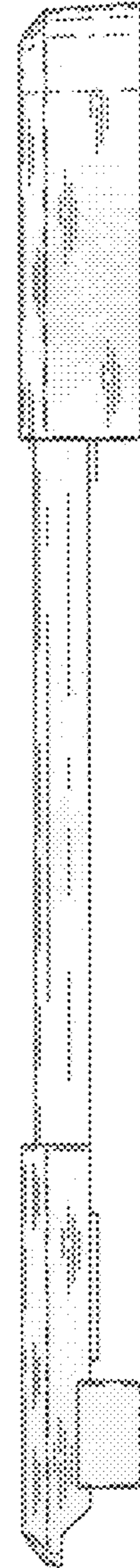
*Fig. 3*



*Fig. 4*



*Fig. 5*



*Fig. 6*

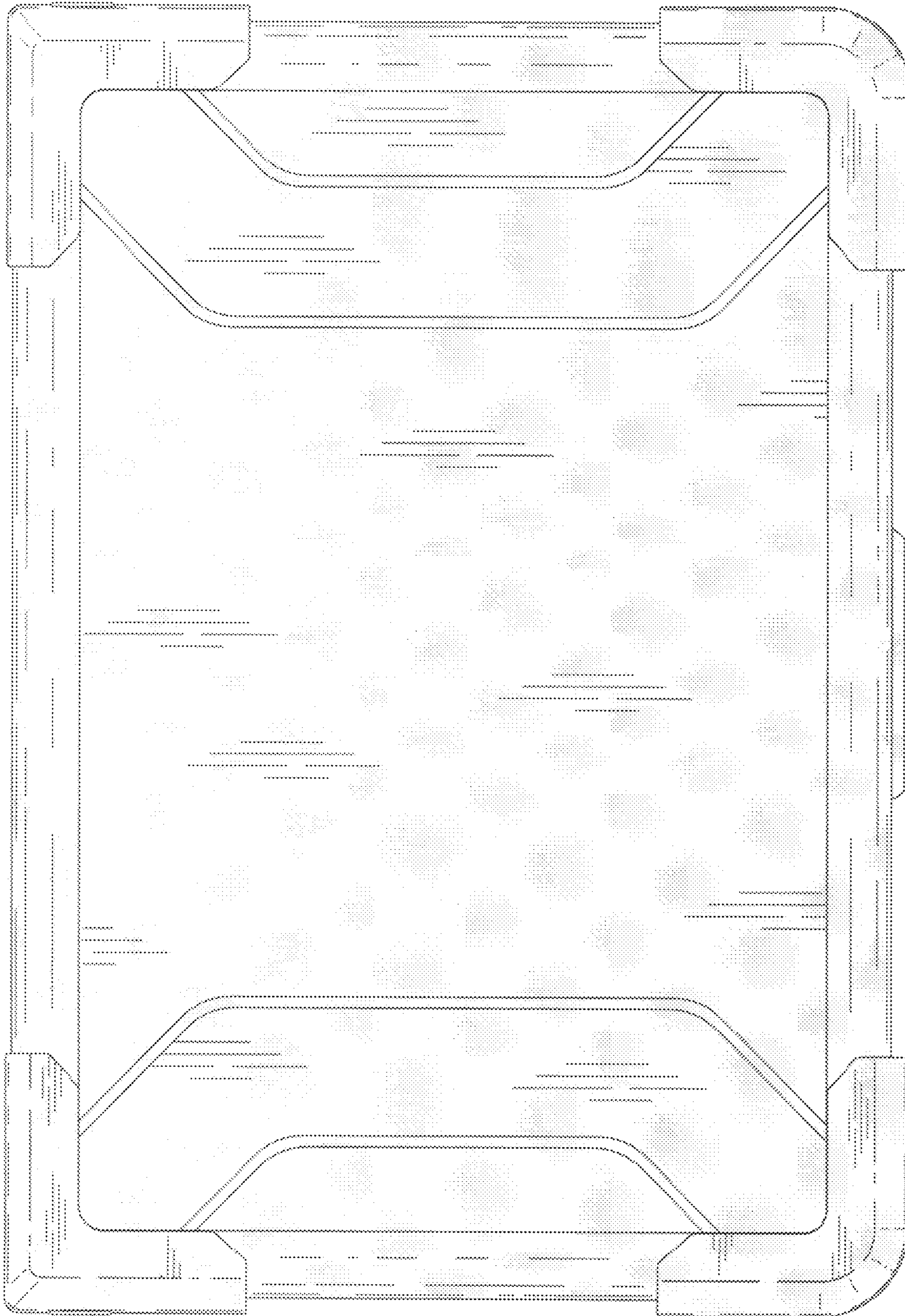


Fig. 7



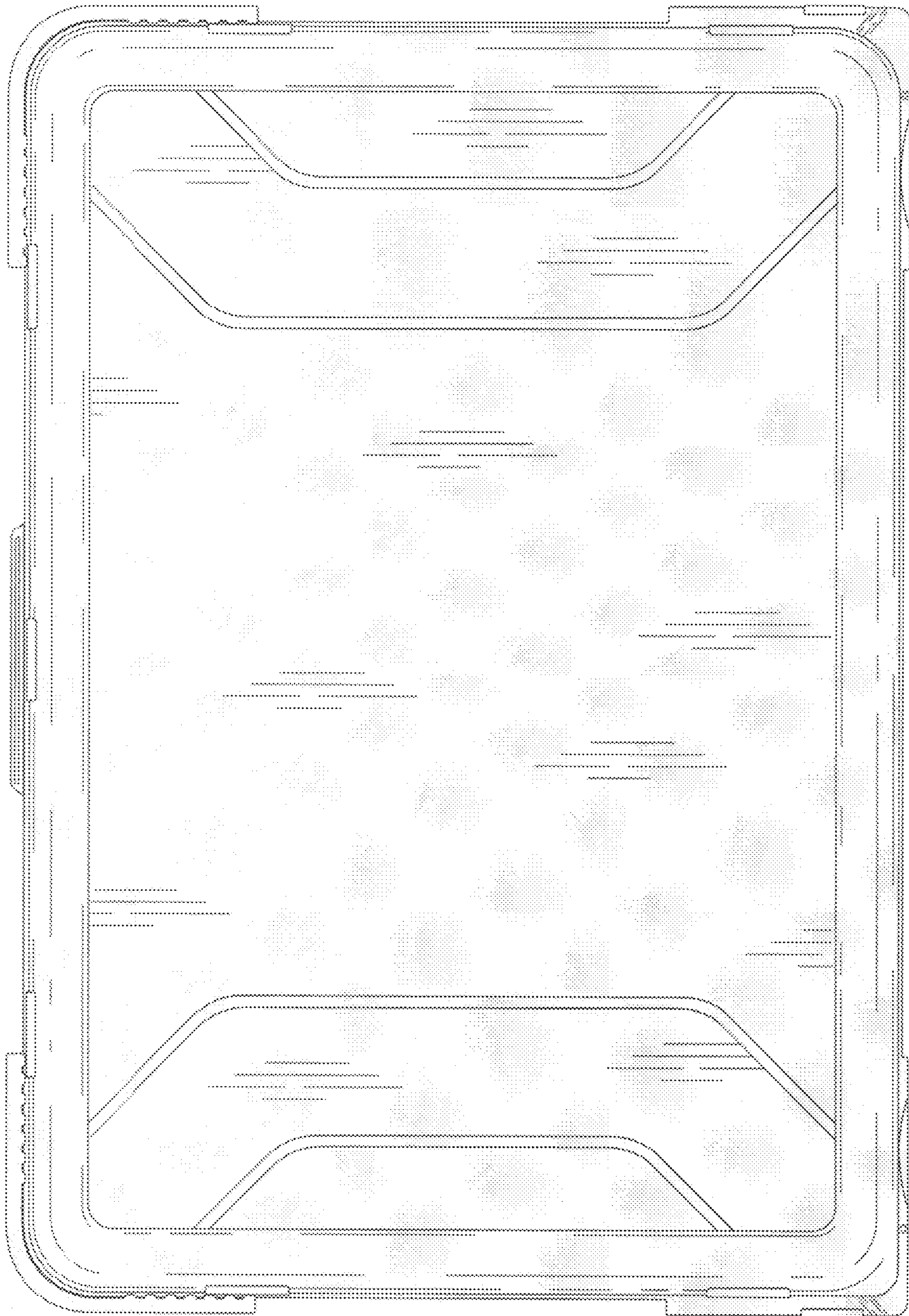


Fig. 8