



US00D911347S

(12) **United States Design Patent** (10) **Patent No.:** **US D911,347 S**  
**Zhang** (45) **Date of Patent:** **\*\* Feb. 23, 2021**

(54) **MULTI-FUNCTION HUB**

H01R 13/6675; Y02T 10/7005; Y02T 10/705; Y02T 10/7088;

(71) Applicant: **C-SMARTLINK INFORMATION TECHNOLOGY CO., LIMITED**, Shenzhen (CN)

(Continued)

(72) Inventor: **Wenfeng Zhang**, Shenzhen (CN)

(56) **References Cited**

(73) Assignee: **C-SMARTLINK INFORMATION TECHNOLOGY CO., LIMITED**, Shenzhen (CN)

U.S. PATENT DOCUMENTS

D742,311 S \* 11/2015 Miller ..... D13/108  
D788,112 S \* 5/2017 Liao ..... D14/433  
D801,269 S \* 10/2017 Cho ..... D13/119

(Continued)

(\*\*) Term: **15 Years**

OTHER PUBLICATIONS

(21) Appl. No.: **29/702,626**

C-smartlink.com: UC1801 10 Ports USB-C Hub . . . Date published of Sep. 11, 2020. Retrieved from the internet at <<https://www.c-smartlink.com/product-uc1801.html>>, Sep. 11, 2020. 1 page. (Year: 2020).\*

(22) Filed: **Aug. 21, 2019**

(Continued)

(51) **LOC (13) Cl.** ..... **14-02**

(52) **U.S. Cl.**  
USPC ..... **D14/433**

*Primary Examiner* — Christy Nemeth

(58) **Field of Classification Search**

(57) **CLAIM**

USPC ..... D13/102–110, 118, 119, 184, 199, 154, D13/156; D14/203.3–203.8, 217, 248, D14/250–253, 432, 433, 434, 440, 450, D14/496; D3/201, 218, 269, 301, 273, D3/303, 383, 384, 385, 386, 378

The ornamental design for a multi-function hub, as shown and described.

**DESCRIPTION**

CPC ..... Y02E 60/12; Y02E 60/122; Y02E 60/124; Y02E 60/50; H01M 2/02; H01M 2/022; H01M 2/0202; H01M 2/0207; H01M 2/0212; H01M 2/1061; H01M 2/1022; H01M 2/1055; H01M 2/1066; H01M 2/105; H01M 2/204; H01M 2/10; H01M 10/4257; H01M 10/0436; H01M 10/48; H01M 10/44; H01M 10/46; H01M 10/425; H01M 2200/30; H01M 2250/30; H01M 2250/40; H02J 7/00; H02J 7/0003; H02J 7/0011; H02J 7/0013; H02J 7/0054; H02J 7/0055; H02J 7/0057; H02J 7/0034; H02J 7/1423; H02J 7/025; H02J 7/0042; H02J 7/0044; H02J 7/0045; H02G 15/18; H02G 15/1826; H01R 13/516; H01R 13/518; H01R 13/52; H01R 13/46; H01R 13/50; H01R 13/506; H01R 13/5213;

FIG. 1 is a perspective view of a multi-function hub showing my new design;

FIG. 2 is another perspective view thereof;

FIG. 3 is a front elevational view thereof;

FIG. 4 is a rear elevational view thereof;

FIG. 5 is a left side elevational view thereof;

FIG. 6 is a right side elevational view thereof;

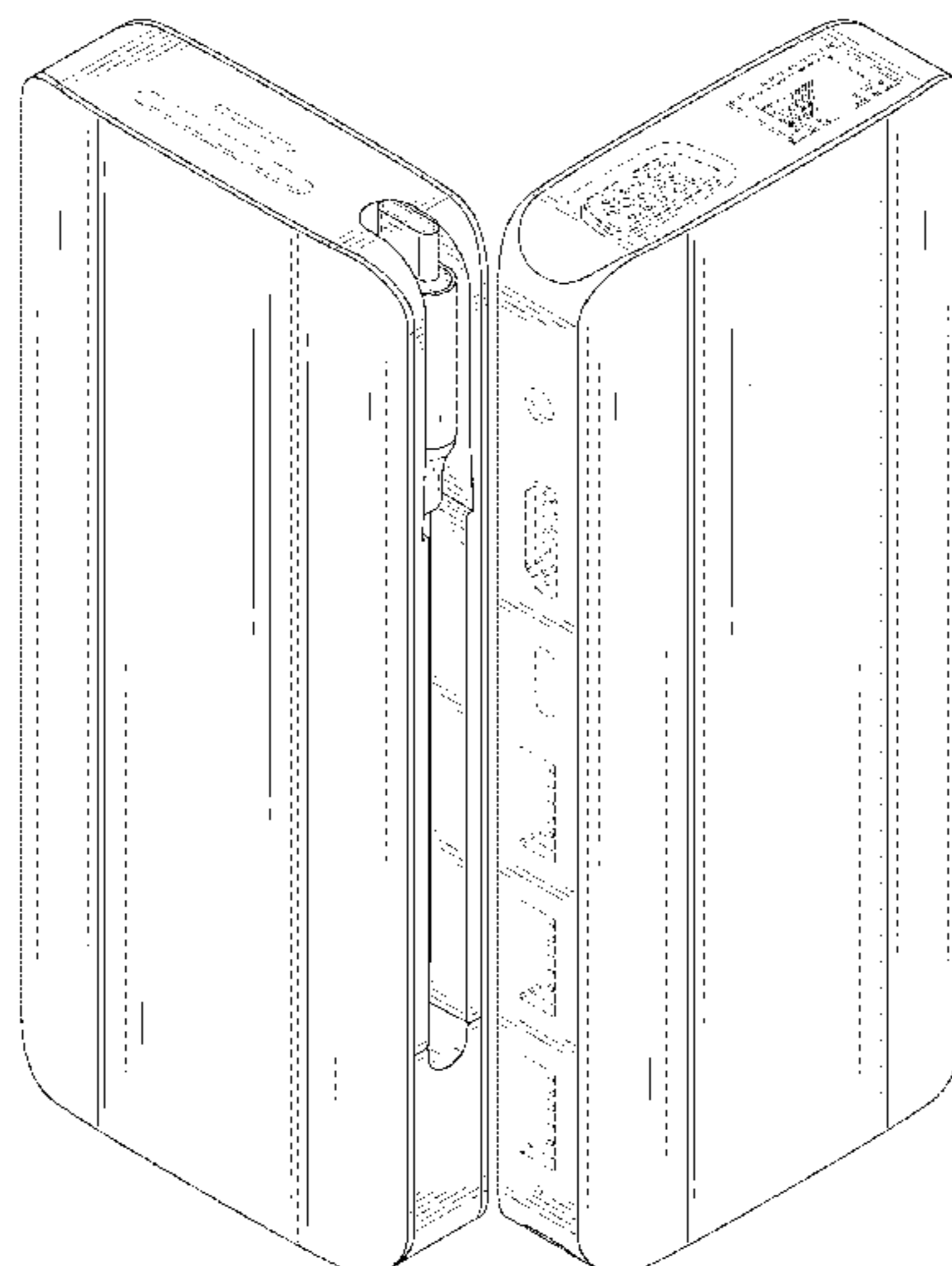
FIG. 7 is a top plan view thereof;

FIG. 8 is a bottom plan view thereof; and,

FIG. 9 is a perspective view of the multi-function hub in a second state.

The broken lines in the drawings are for the purpose of illustrating portions of the multi-function hub that form no part of the claimed design.

**1 Claim, 9 Drawing Sheets**



- (58) **Field of Classification Search**  
 CPC .... G06F 13/122; G06F 13/382; G06F 13/385;  
 G06F 13/4022; G06F 13/4282  
 See application file for complete search history.

(56) **References Cited**

U.S. PATENT DOCUMENTS

D820,353	S	*	6/2018	Choi	.....	D18/50
D821,308	S	*	6/2018	Chia	.....	D13/108
D824,329	S	*	7/2018	Conocenti	.....	D13/108
D828,839	S	*	9/2018	Zhang	.....	D14/433
D828,840	S	*	9/2018	Zhang	.....	D14/433
D828,841	S	*	9/2018	Zhang	.....	D14/433
D847,139	S	*	4/2019	Wang	.....	D14/433
D853,396	S	*	7/2019	Kong	.....	D14/434
D853,959	S	*	7/2019	Miller	.....	D13/108
D856,278	S	*	8/2019	Turksu	.....	D13/108
D862,385	S	*	10/2019	Turksu	.....	D13/108
D864,112	S	*	10/2019	Chen	.....	D13/110
D864,861	S	*	10/2019	Roberts	.....	D13/108
D869,392	S	*	12/2019	Roberts	.....	D13/108
D876,439	S	*	2/2020	Turksu	.....	D14/433
D879,779	S	*	3/2020	Liao	.....	D14/433

D879,781	S	*	3/2020	Zhang	.....	D14/433
D880,479	S	*	4/2020	Liao	.....	D14/433
D880,481	S	*	4/2020	Liao	.....	D14/433
D880,483	S	*	4/2020	Fan	.....	D14/433
D883,288	S	*	5/2020	Zhan	.....	D14/433
D886,055	S	*	6/2020	Liao	.....	D13/108
D886,825	S	*	6/2020	Zhang	.....	D14/433
D888,658	S	*	6/2020	Urasini	.....	D13/107
D889,469	S	*	7/2020	Zhang	.....	D14/433
D889,470	S	*	7/2020	Zhang	.....	D14/433
D890,095	S	*	7/2020	Liao	.....	D13/110
D892,801	S	*	8/2020	Liu	.....	D14/434
D893,488	S	*	8/2020	Liu	.....	D14/433
D894,190	S	*	8/2020	Zhang	.....	D14/433

OTHER PUBLICATIONS

Amazon.com: HOGORE USB C Hub Adapter . . . Date First Available of Aug. 19, 2019. Retrieved from the internet at <<https://www.amazon.com/Adapter-HOGORE-Charging-Compatible-MacBook/dp/B07WR7LHKX/>>, Sep. 11, 2020. 1 page. (Year: 2019).\*

\* cited by examiner

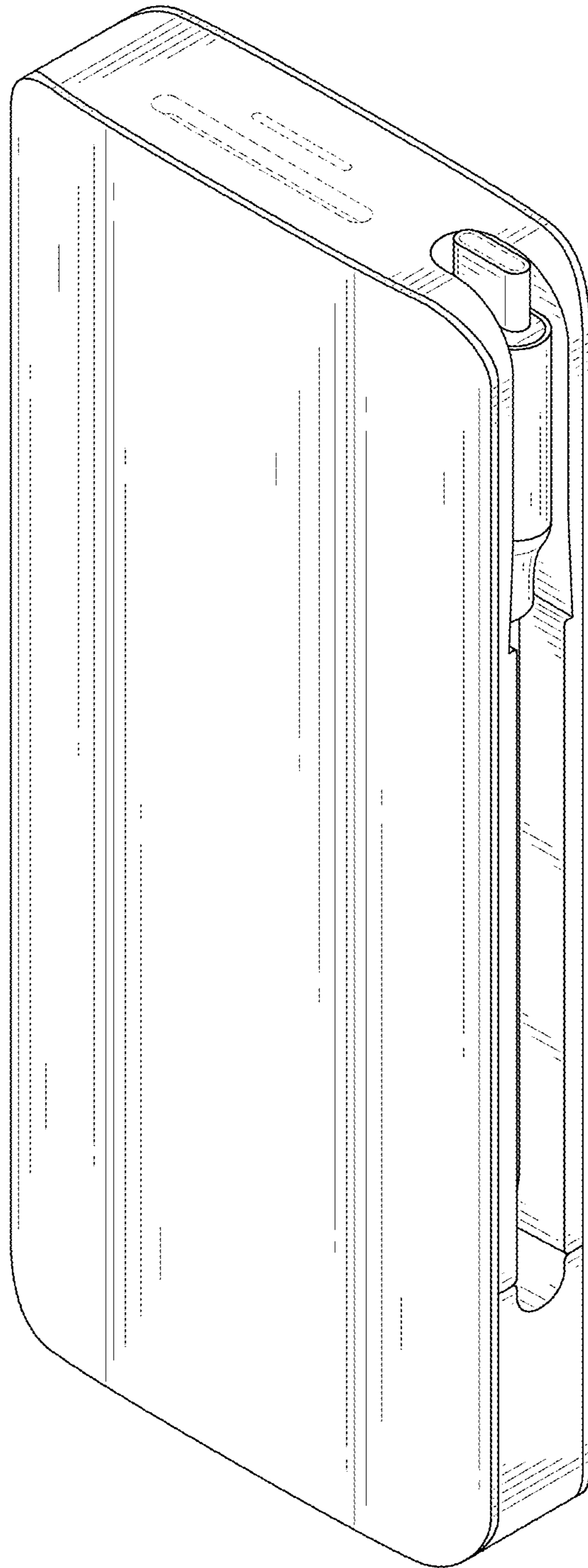


FIG. 1

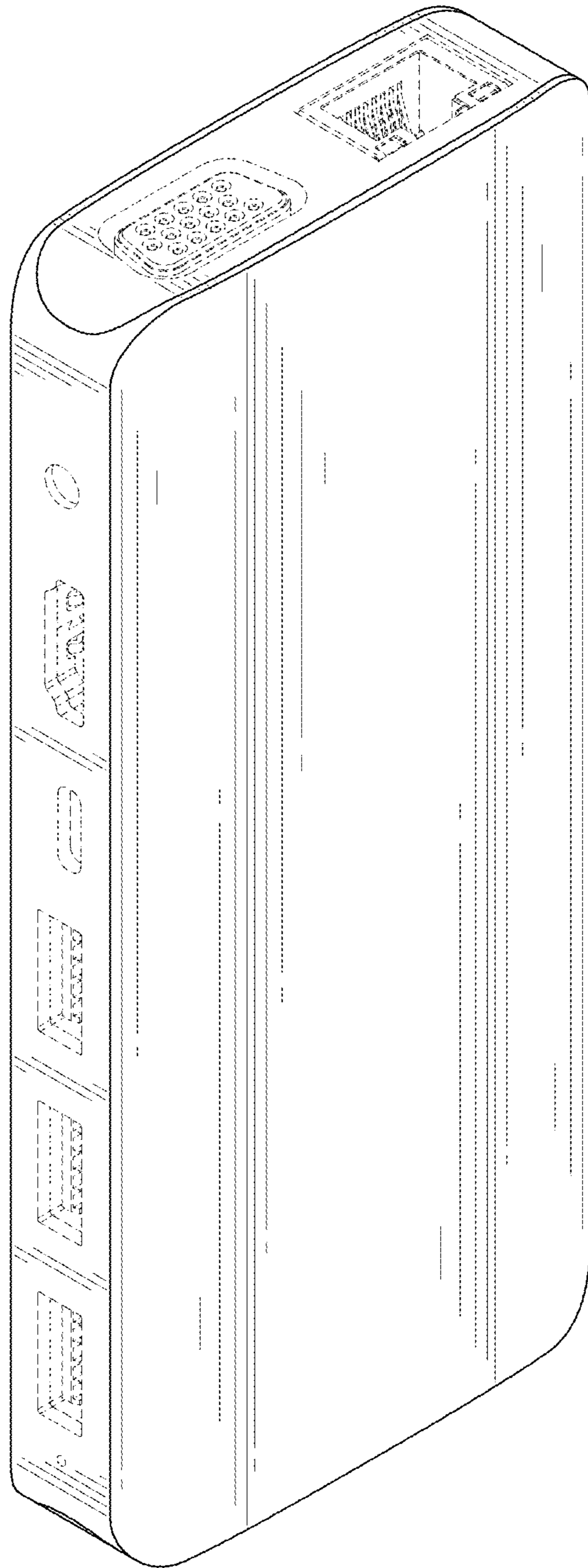


FIG. 2

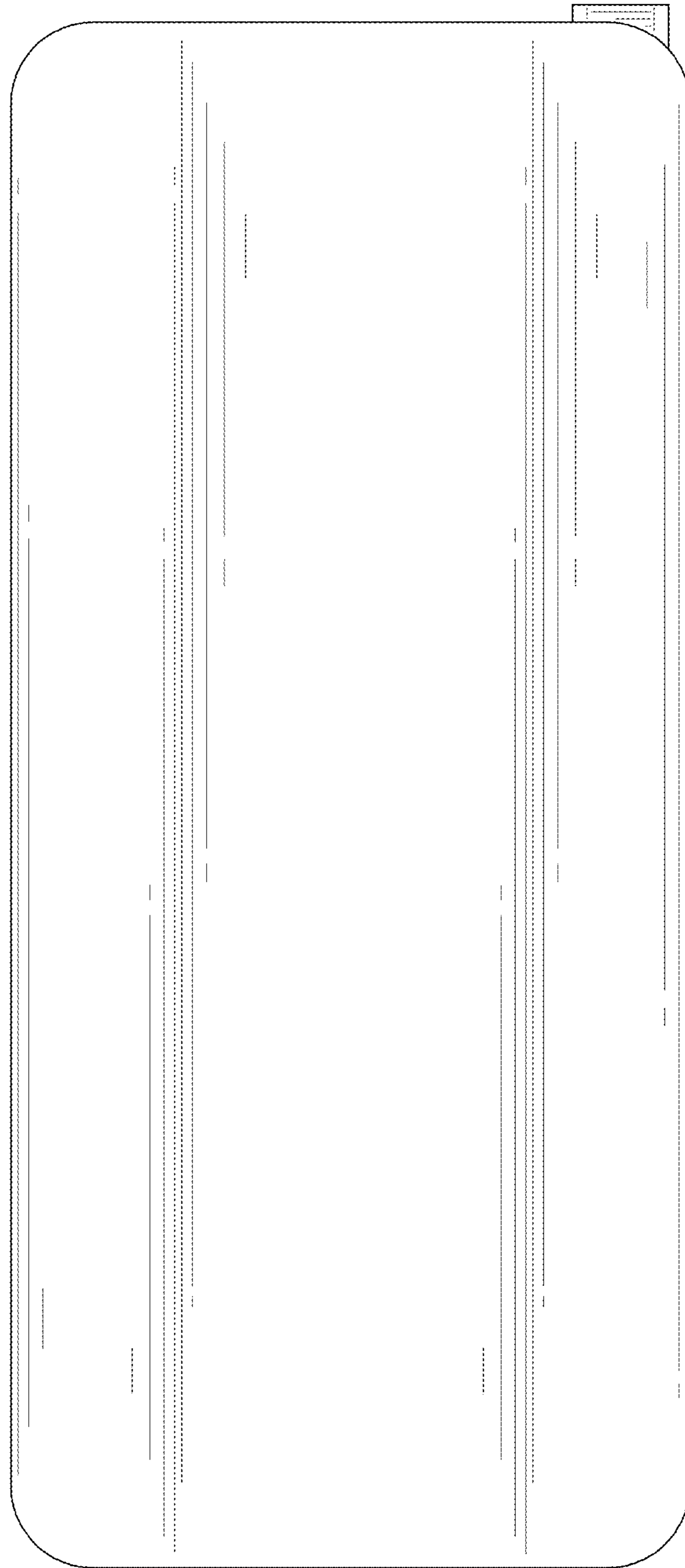


FIG. 3

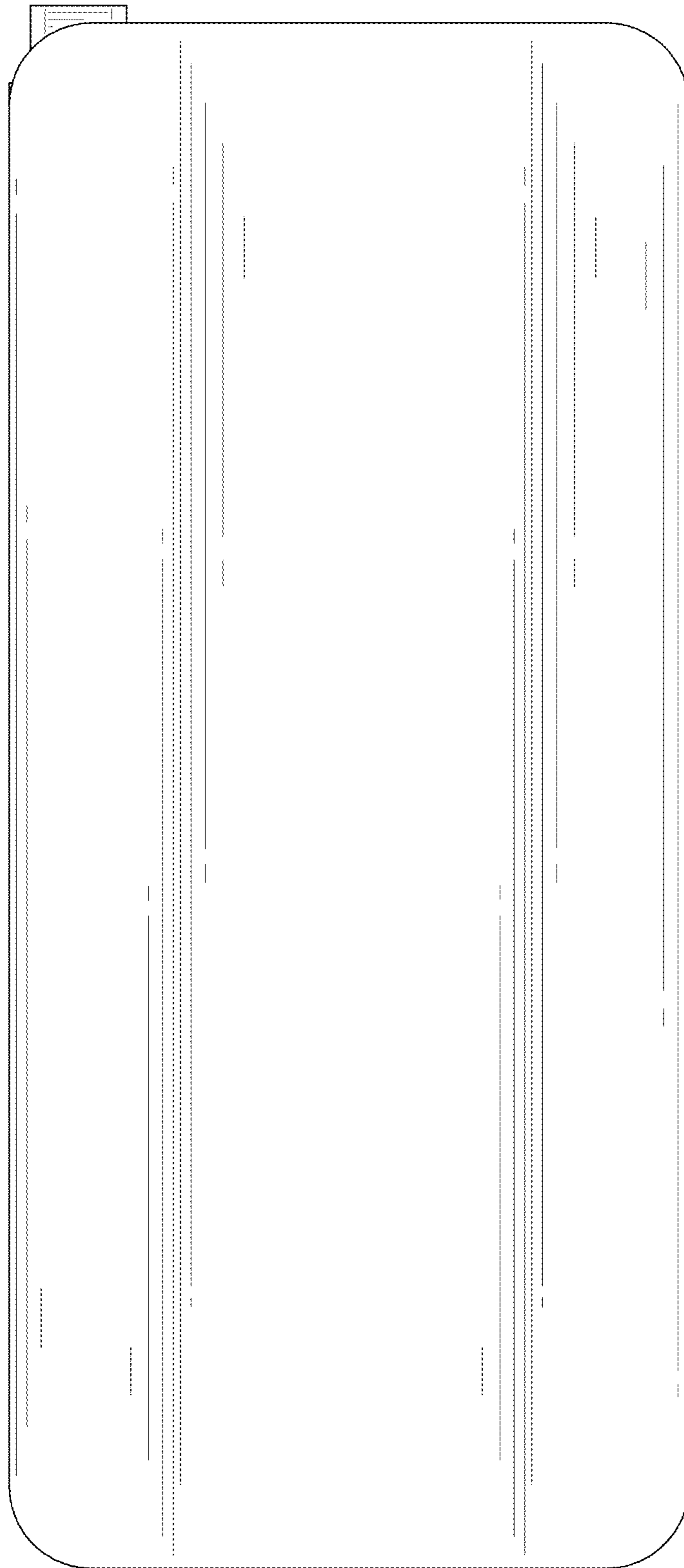


FIG. 4

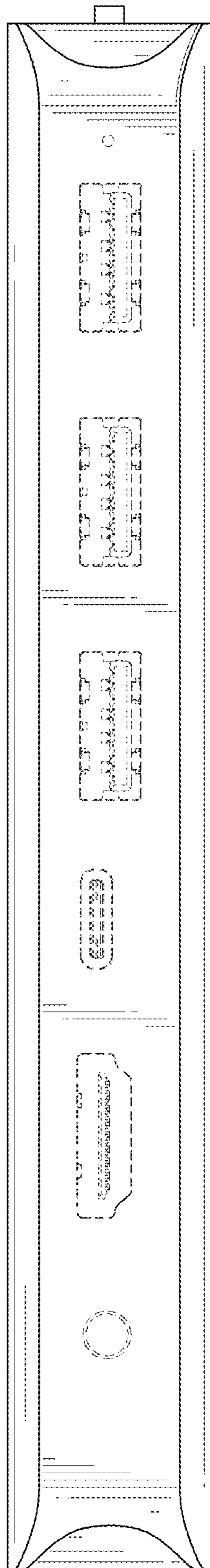


FIG. 5

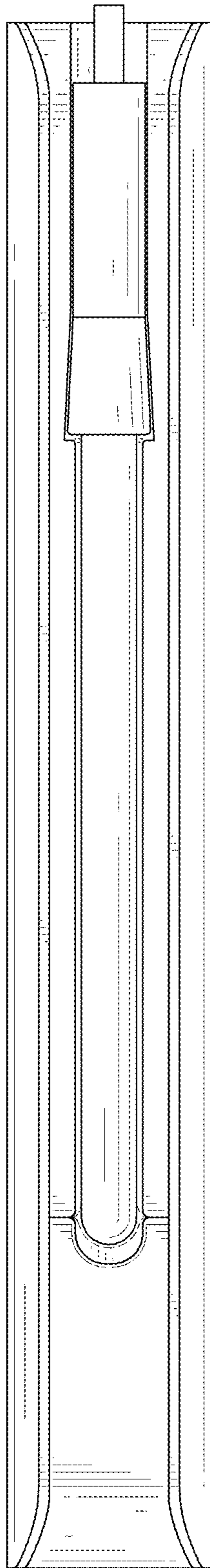


FIG. 6



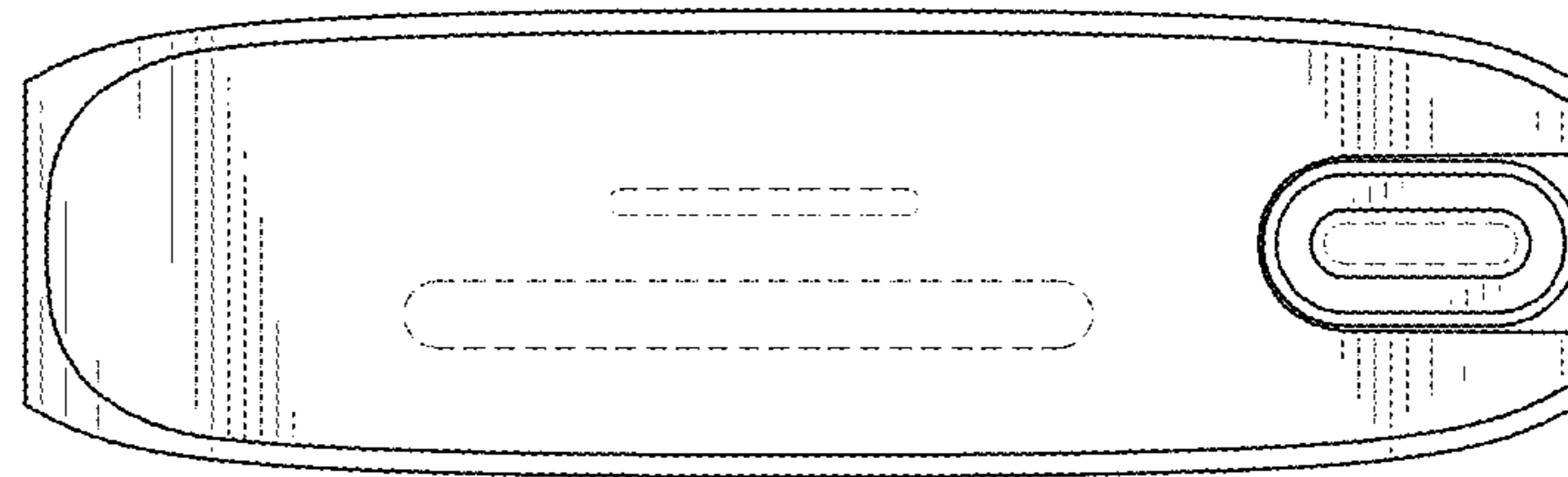


FIG. 7

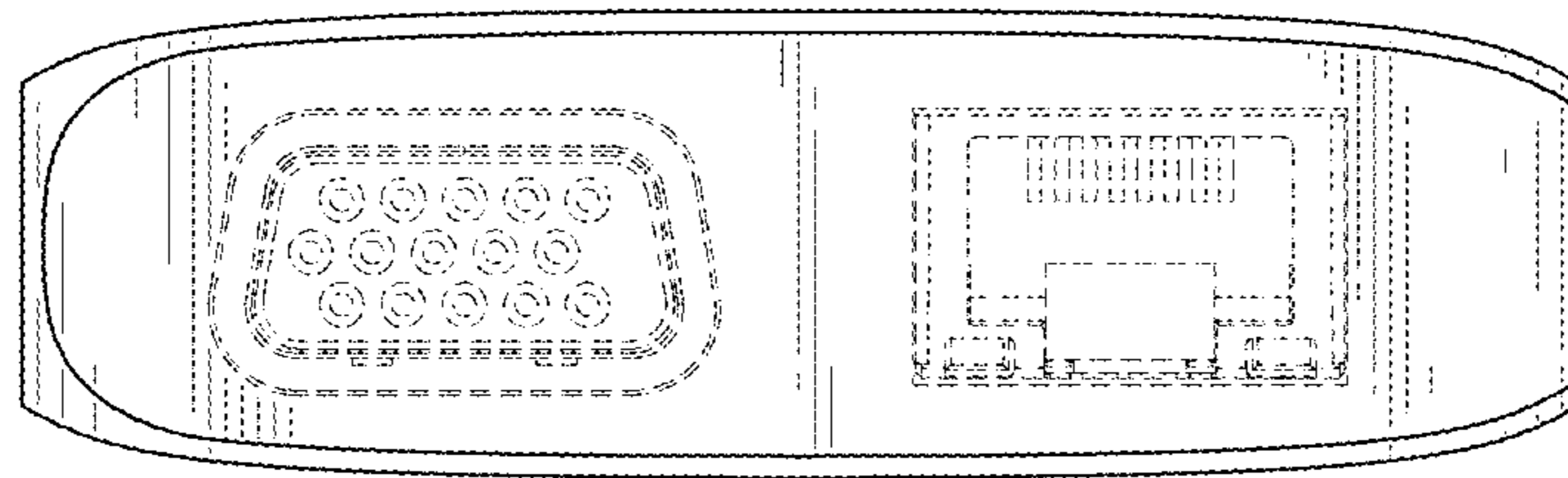


FIG. 8

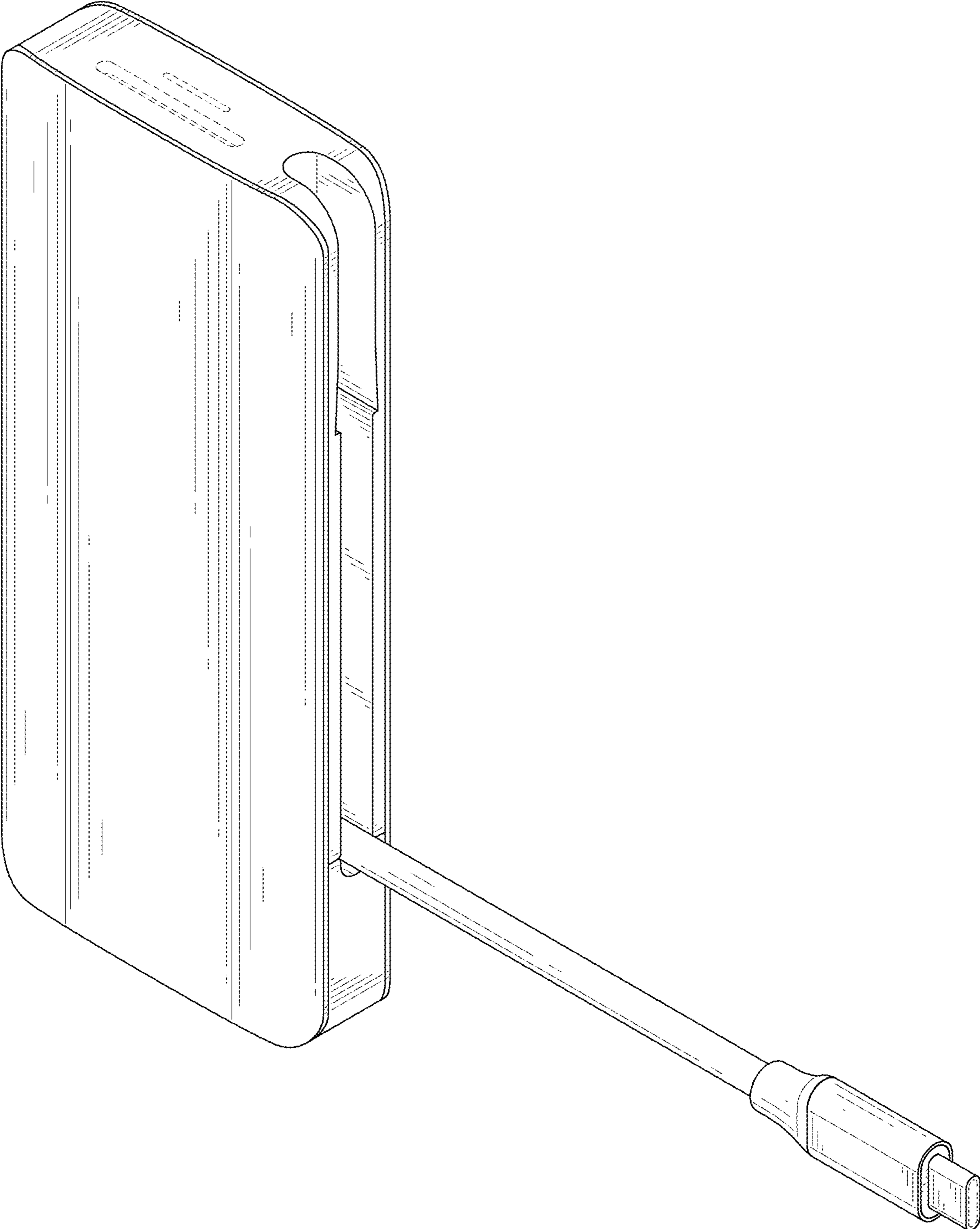


FIG. 9