



US00D911344S

(12) **United States Design Patent**  
**Zhang et al.**

(10) **Patent No.:** **US D911,344 S**  
(45) **Date of Patent:** **\*\* Feb. 23, 2021**

(54) **THREE-DIMENSIONAL SCANNER**

(71) Applicant: **Shining 3D Tech Co., Ltd.**, Zhejiang (CN)

(72) Inventors: **Yan Zhang**, Zhejiang (CN); **Jianfu Jiang**, Zhejiang (CN); **Xiaojun Chen**, Zhejiang (CN)

(73) Assignee: **Shining 3D Tech Co., Ltd.**, Zhejiang (CN)

(\*\*) Term: **15 Years**

(21) Appl. No.: **29/666,460**

(22) Filed: **Oct. 12, 2018**

(51) **LOC (13) Cl.** ..... **14-02**

(52) **U.S. Cl.**  
USPC ..... **D14/420**

(58) **Field of Classification Search**

USPC ..... D14/420-425, 453; 433/222.1, 223, 433/213-215, 73, 24, 29, 37, 202.1; 700/98, 97, 118, 161, 163, 182; 264/16, 264/17, 19, 219, 225; 374/1; 707/104.1; 249/54; 600/590; D20/1-9; 194/205, 194/206, 244, 321, 345, 346, 350; D18/3.3, 4.4, 12, 49; D99/28, 43; 235/381, 472.01; D10/104.1, 18, 21-28, D10/46, 93, 104, 106, 113, 114, 116.1, D10/121; D13/180, 168, 108, 107, 199, D13/118, 109, 110.119, 184; D21/479, D21/488, 471, 478, 484, 333, 392; D24/121; D19/86, 65; D9/772-776; 361/600, 679, 683, 686; 320/113-115, 320/107; 455/557, 556.1, 556.2, 573; 345/156, 901, 905; 439/374, 131, 529, 439/534, 929, 346, 31, 640; 248/309.1, 248/221.11; 348/46, 280, 340  
CPC ..... H01L 27/14627; H01L 27/14621; H01L 21/67288; H01L 21/00; G06T 11/003; G06T 11/00; G06T 11/001; G06T 11/005; G06T 1/00; G06T 1/0007; G06T 3/80037;

G06T 3/0043; G06T 3/0056; G06T 3/0062; G06T 3/0087; G06T 3/20; G06T 3/40; G06T 3/60; G06T 3/602; G06T 3/604; G06T 3/606; G06T 3/608; G06T 5/009; G06T 5/10; G06T 5/20; G06T 5/40; G06T 5/50; G06T 7/0057; G06T 7/0061; G06T

(Continued)

(56) **References Cited**

U.S. PATENT DOCUMENTS

4,910,601 A \* 3/1990 Gerlach ..... H04N 1/0411  
358/474  
5,140,141 A \* 8/1992 Inagaki ..... G06K 7/10  
235/462.43

(Continued)

*Primary Examiner* — Susan Moon Lee

(74) *Attorney, Agent, or Firm* — Moore & Van Allen PLLC; Henry B. Ward, III

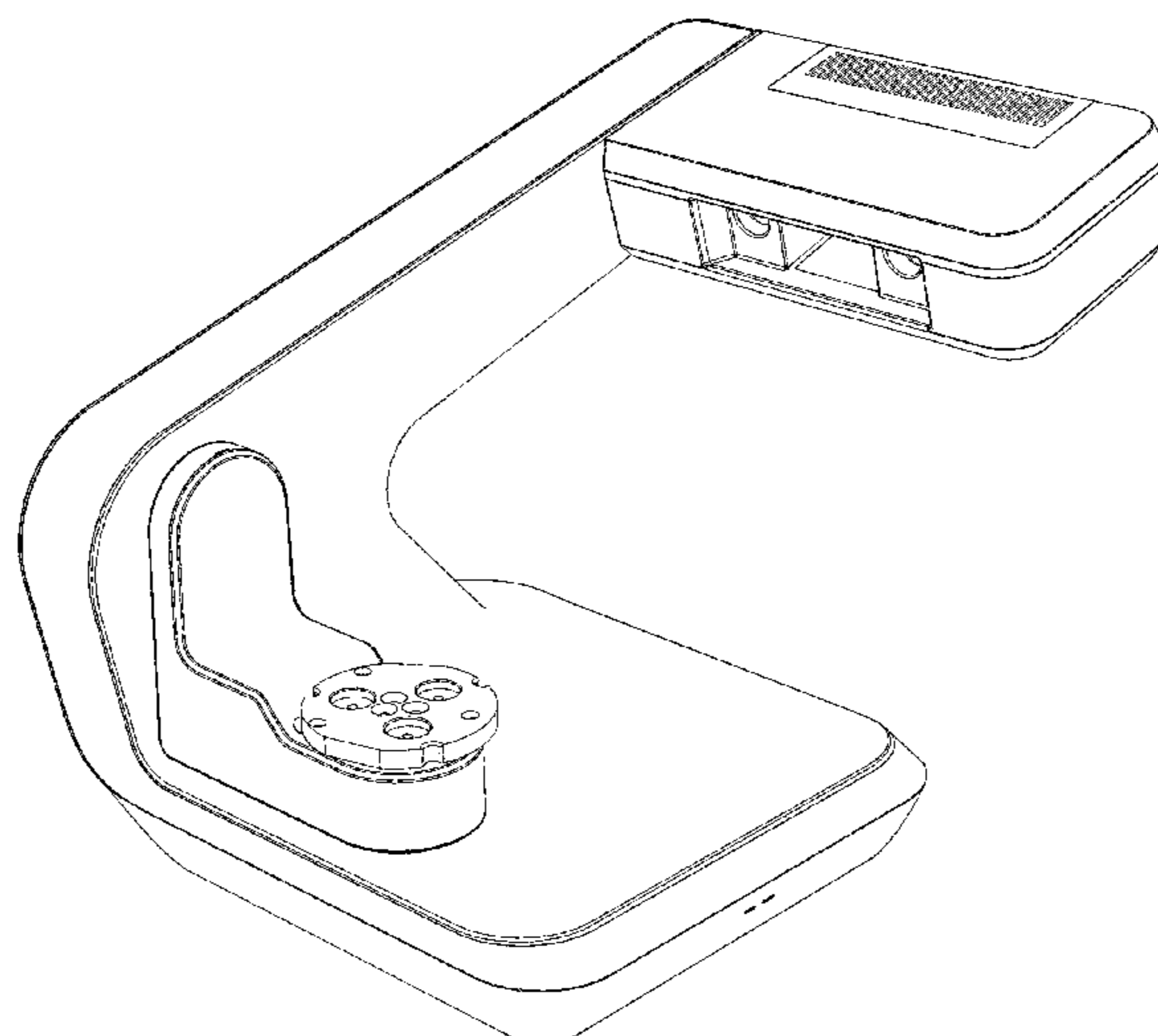
(57) **CLAIM**

The ornamental design for a three-dimensional scanner, as shown and described.

**DESCRIPTION**

FIG. 1 is a front, top, and right-side perspective view of a three-dimensional scanner;  
FIG. 2 is a front elevational view of the three-dimensional scanner shown in FIG. 1;  
FIG. 3 is a rear elevational view of the three-dimensional scanner shown in FIG. 1;  
FIG. 4 is a right elevational view of the three-dimensional scanner shown in FIG. 1;  
FIG. 5 is a left elevational view of the three-dimensional scanner shown in FIG. 1;  
FIG. 6 is a top plan view of the three-dimensional scanner shown in FIG. 1; and,  
FIG. 7 is a bottom plan view of the three-dimensional scanner shown in FIG. 1.

**1 Claim, 7 Drawing Sheets**



(58) **Field of Classification Search**

CPC .... 9/001; G02B 26/123; G02B 26/127; G02B  
26/101; G02B 27/0075; G02B 13/001;  
G02B 5/201; G02B 3/0056; H04N  
5/2254; H04N 5/23212; H04N 9/3185;  
H04N 9/3129; H04N 13/0253; H04N  
13/0221; G01B 11/2513; G01B 11/2518;  
G01B 11/2522; G01B 5/0002; G03F  
7/70483; G06K 9/3275; G06K 2209/19

See application file for complete search history.

(56) **References Cited**

U.S. PATENT DOCUMENTS

5,659,404 A \* 8/1997 Matsuda ..... H04N 1/387  
358/474  
D388,404 S \* 12/1997 Kinnunen ..... D14/423  
5,894,529 A \* 4/1999 Ting ..... G01B 11/024  
358/474  
6,325,288 B1 \* 12/2001 Spitz ..... G06K 7/10673  
235/462.01  
8,284,234 B2 \* 10/2012 Bjelkhagen ..... G02B 27/0093  
348/40  
8,508,751 B1 \* 8/2013 Shen ..... G06T 3/40  
358/1.1  
D699,242 S \* 2/2014 Hu ..... D14/423  
D719,954 S \* 12/2014 Sun ..... D14/423  
D810,085 S \* 2/2018 Liu ..... D14/423  
2014/0071250 A1 \* 3/2014 Pan ..... H04N 13/211  
348/50  
2015/0109424 A1 \* 4/2015 Lee ..... A61C 9/006  
348/50

\* cited by examiner

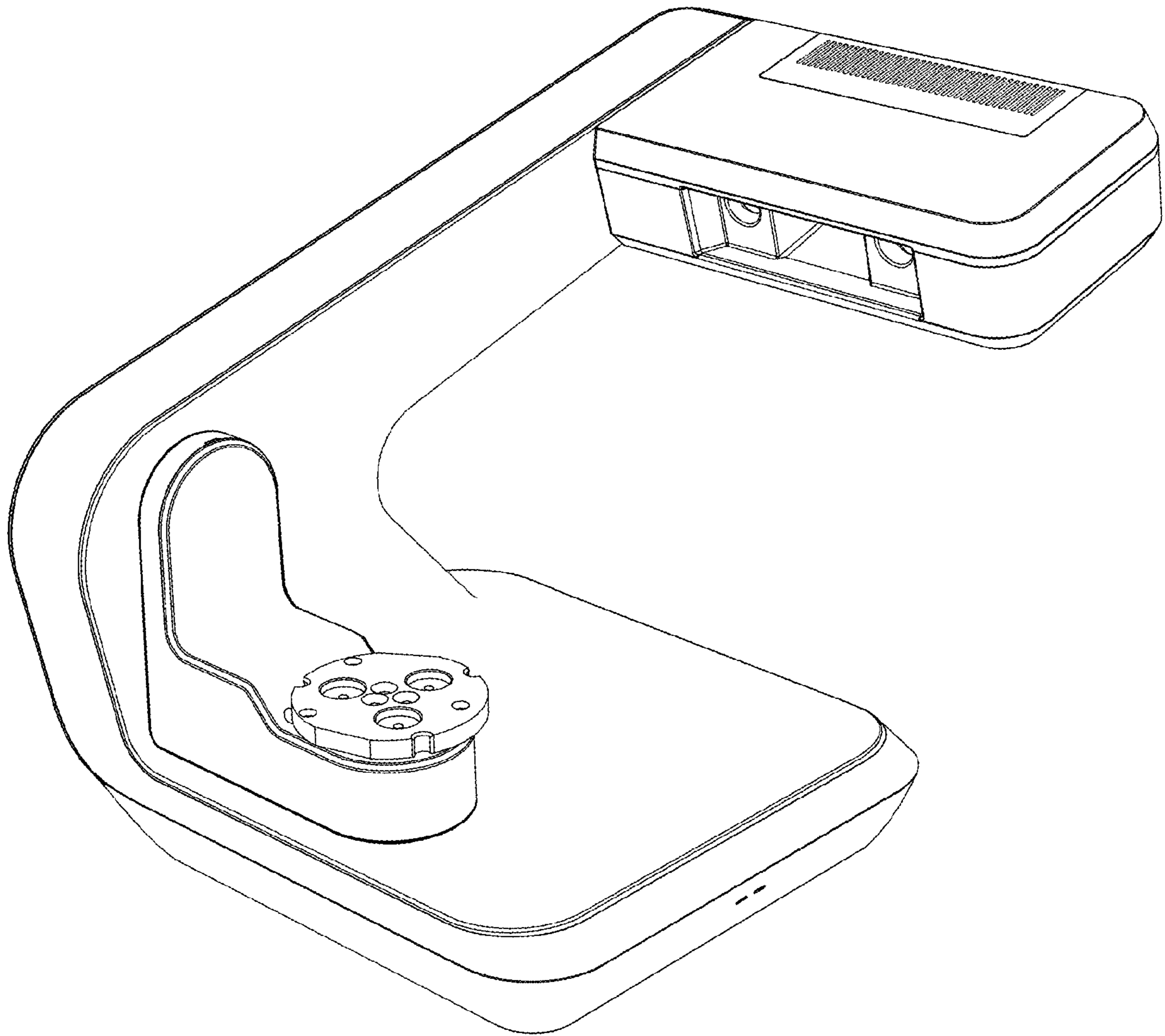


Figure 1

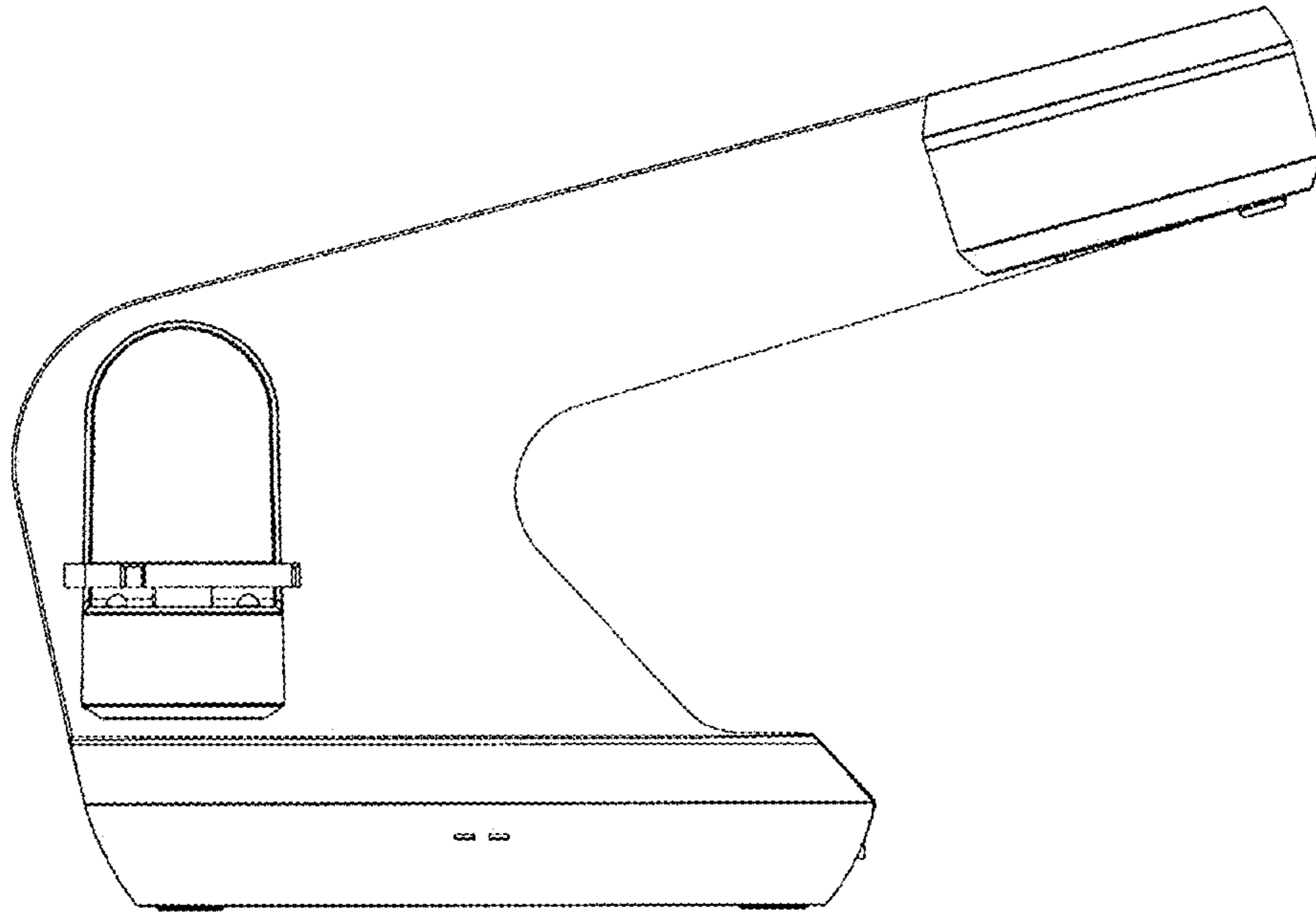


Figure 2

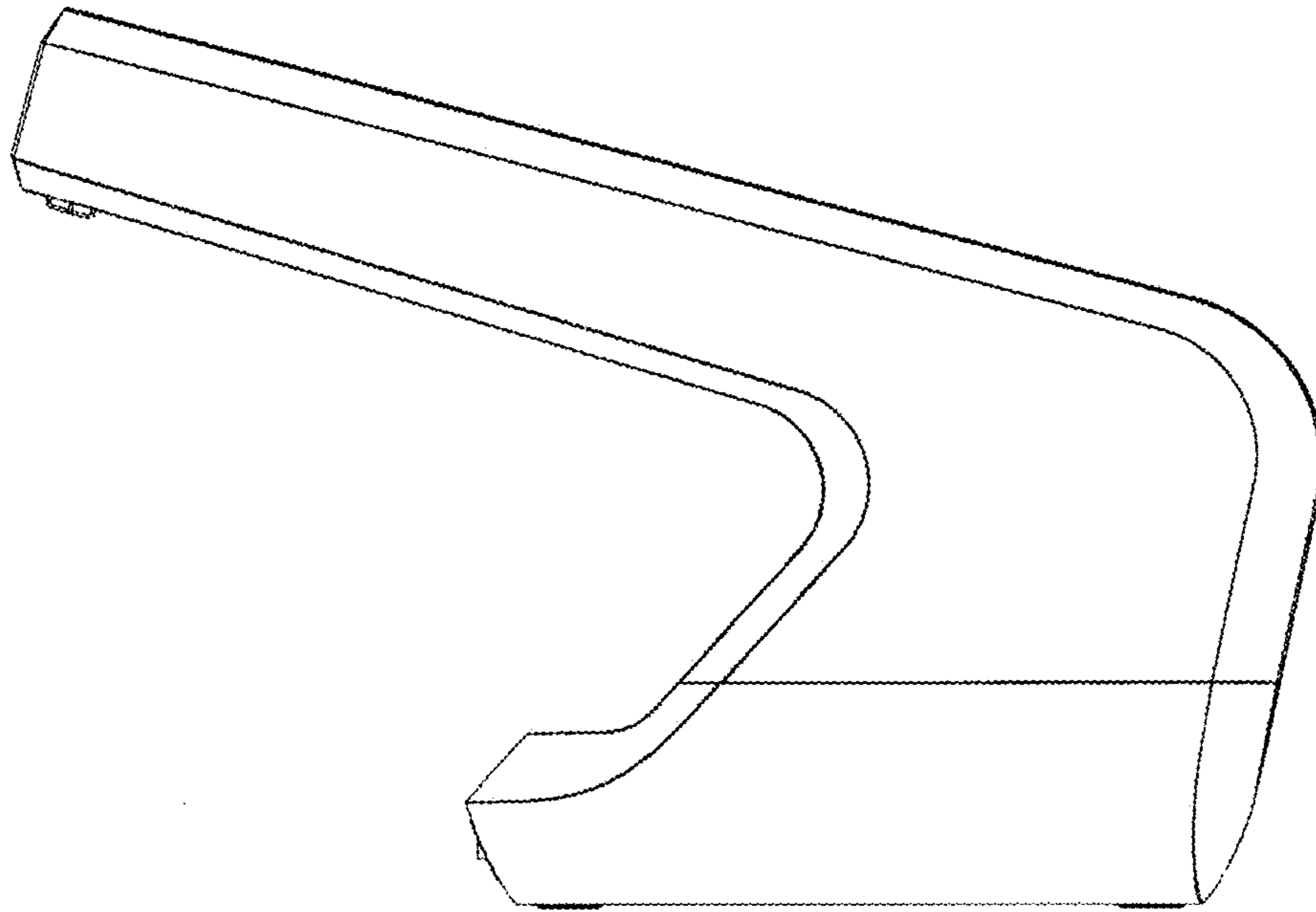


Figure 3

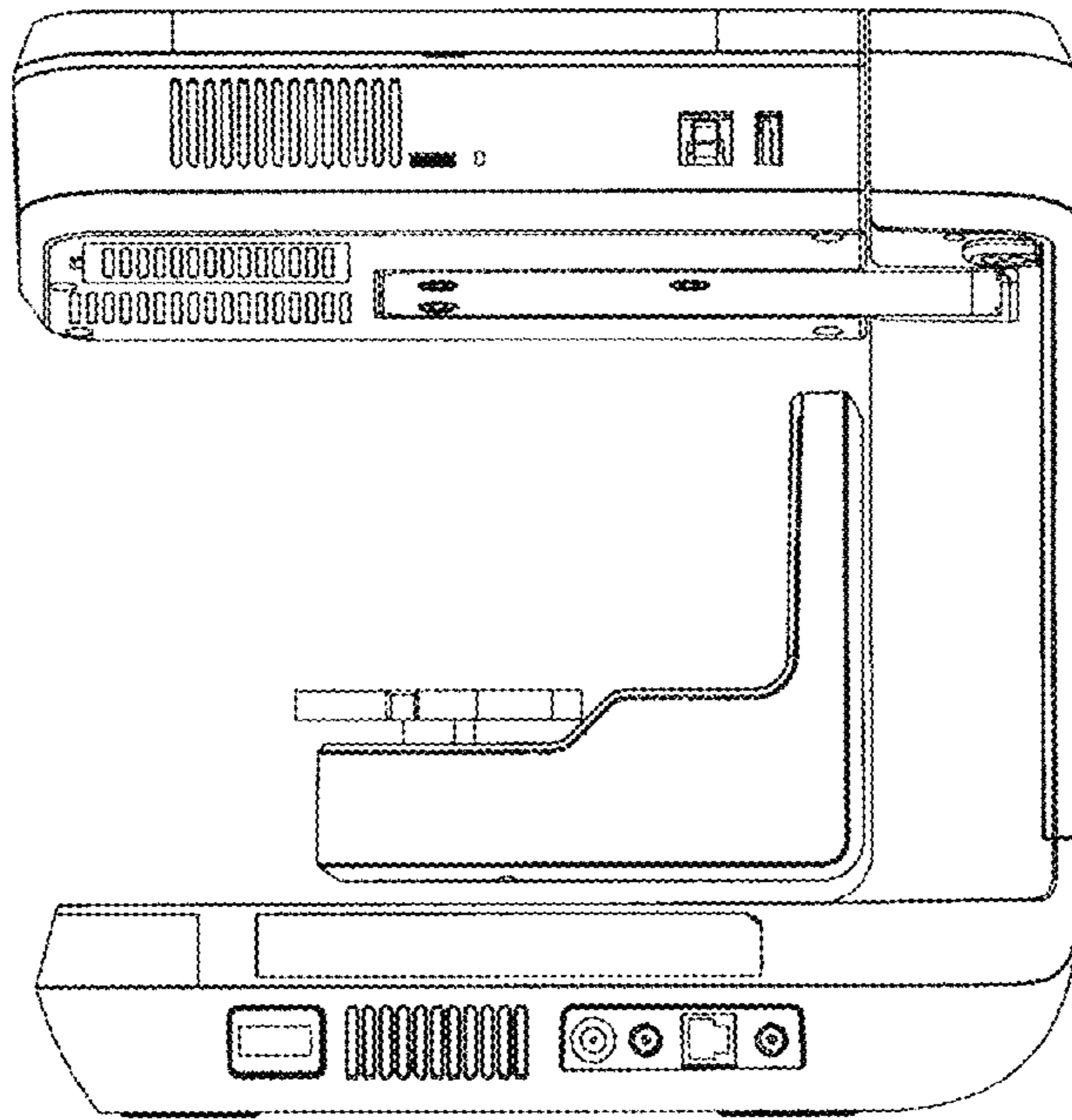


Figure 4

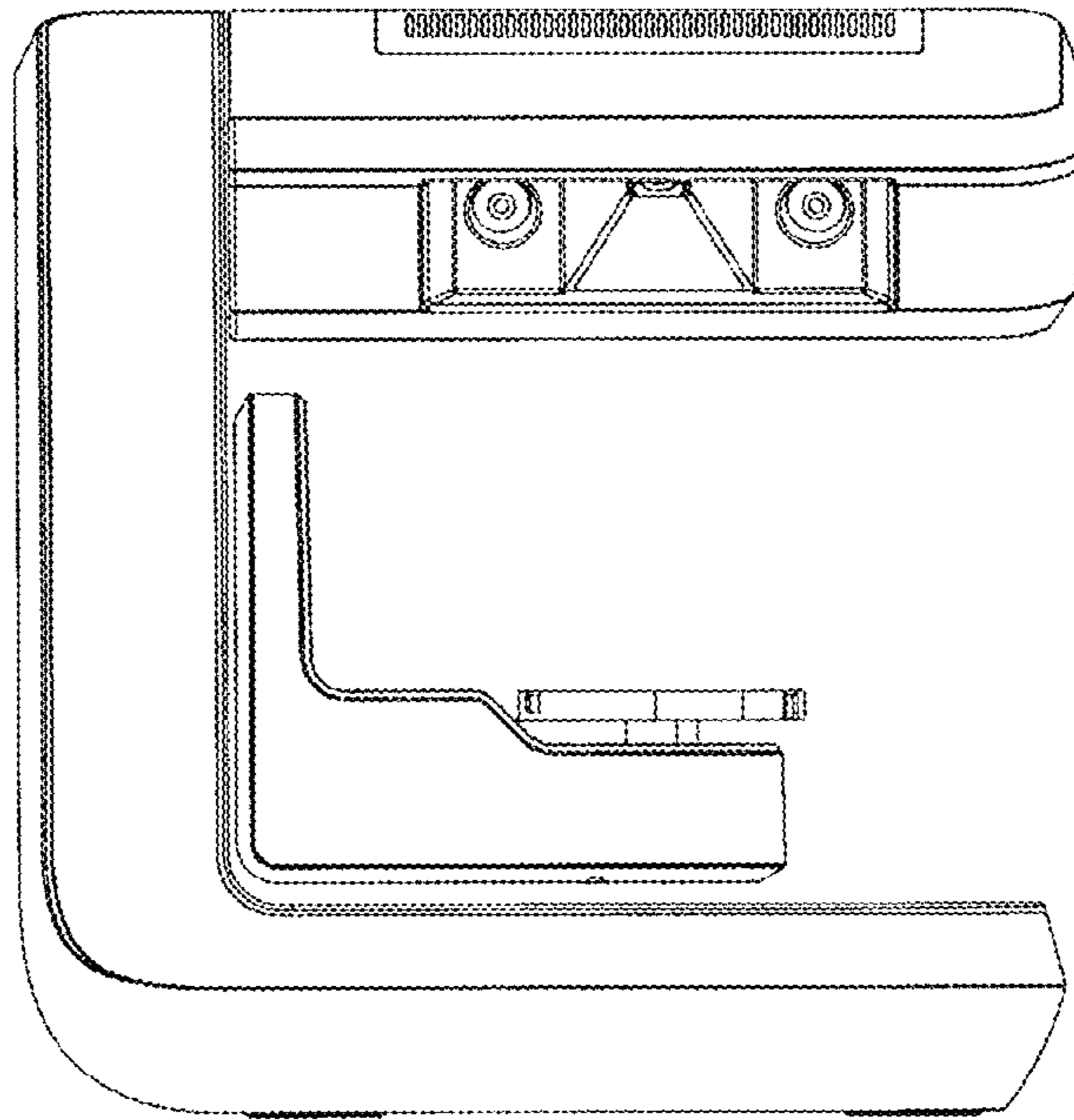


Figure 5

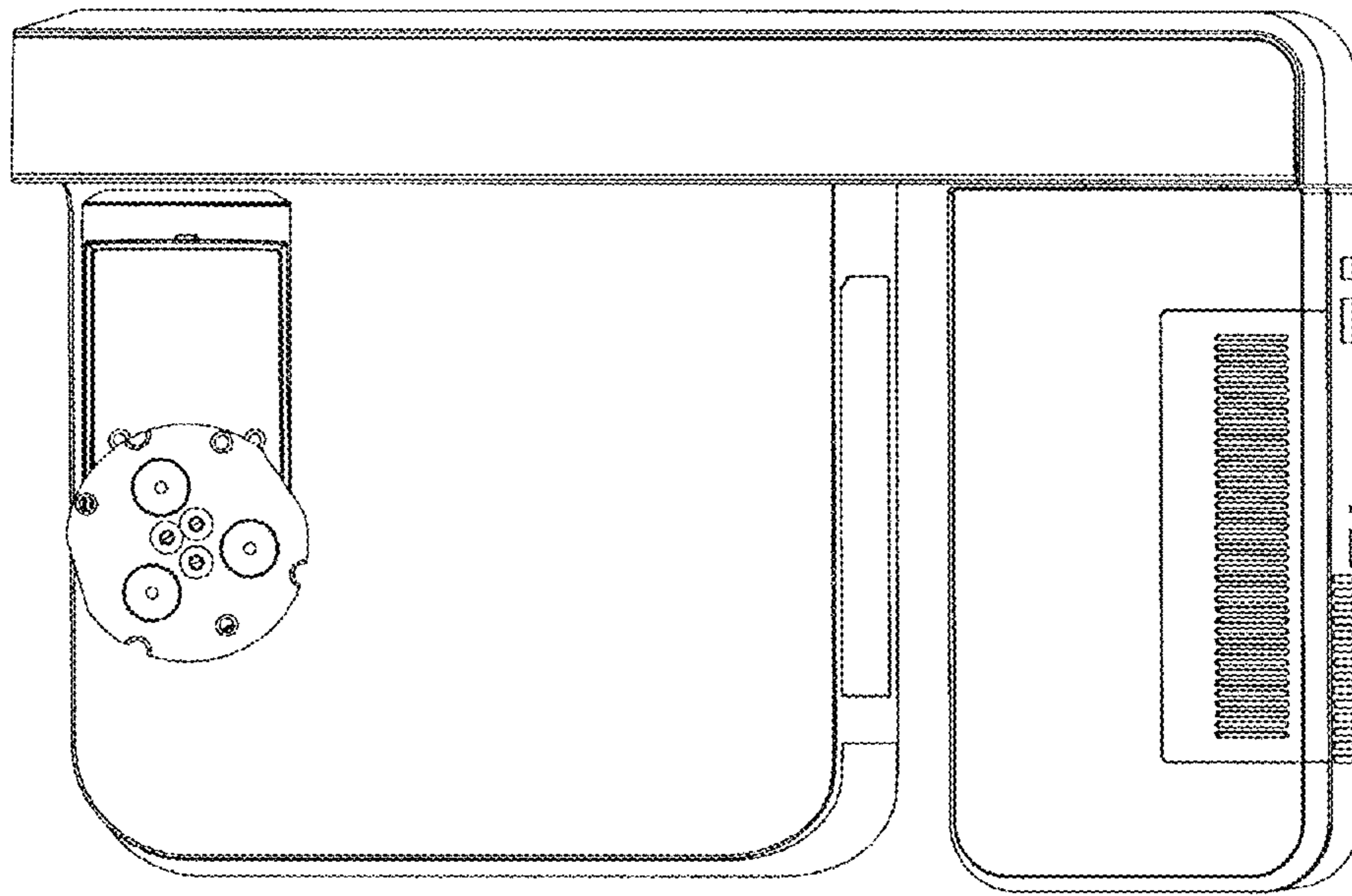


Figure 6



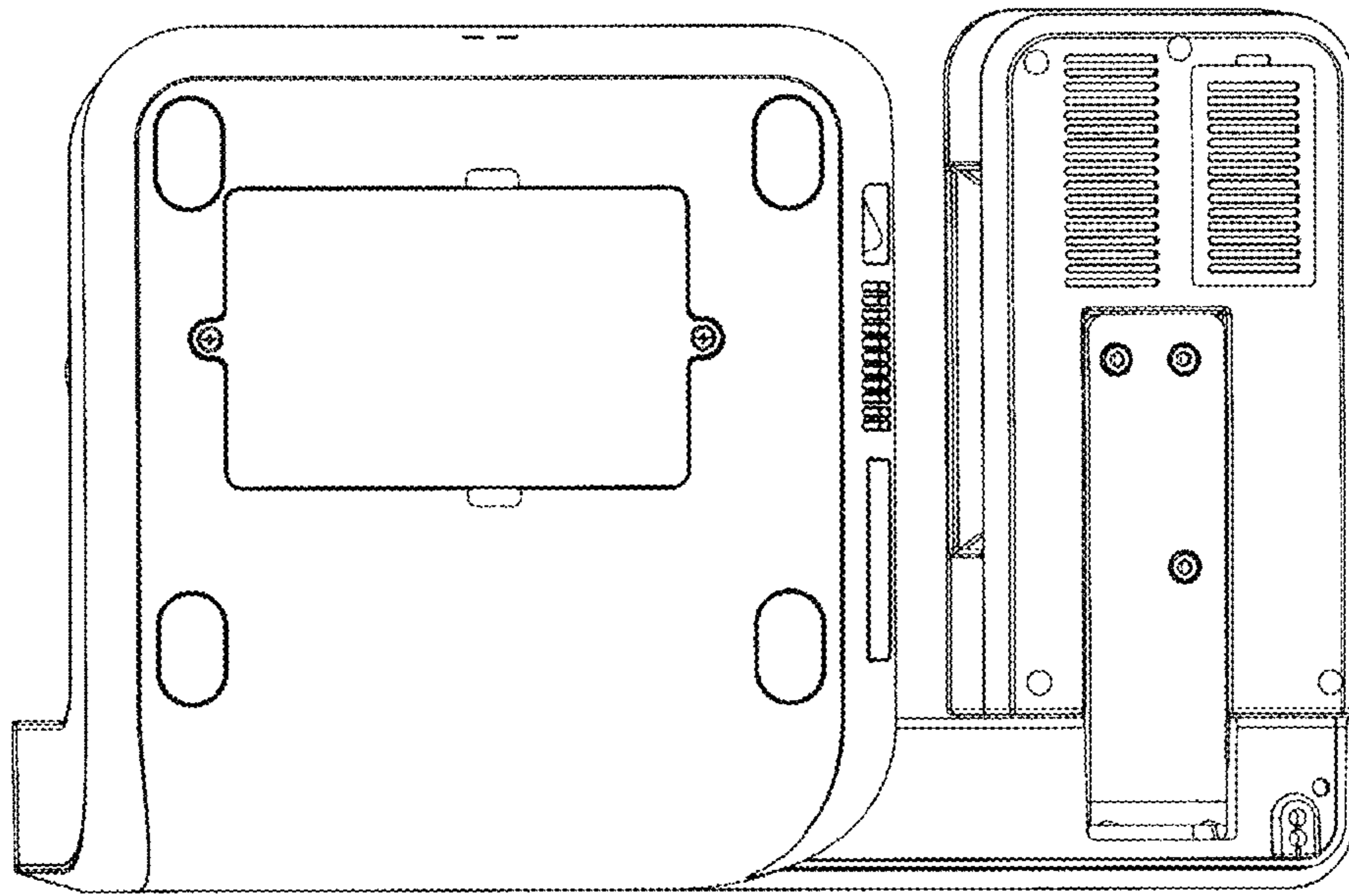


Figure 7