



US00D911343S

(12) **United States Design Patent**
Greene

(10) **Patent No.:** **US D911,343 S**

(45) **Date of Patent:** **** Feb. 23, 2021**

(54) **STYLUS TOPPER**

(71) Applicant: **GRIPLY, LLC**, Thousand Oaks, CA (US)

(72) Inventor: **Michael Greene**, Woodland Hills, CA (US)

(73) Assignee: **Griply, LLC**, Thousand Oaks, CA (US)

(**) Term: **15 Years**

(21) Appl. No.: **29/707,460**

(22) Filed: **Sep. 27, 2019**

(51) **LOC (13) Cl.** **14-02**

(52) **U.S. Cl.**
USPC **D14/411**

(58) **Field of Classification Search**
USPC D14/372, 496, 432, 371, 125, 126, 129, D14/299, 411; D16/300-342; 351/158, 351/153, 144; 345/7-9, 905; 455/344; 348/115, 53, 121, 739
CPC G02B 27/017; G06F 3/016; G06F 3/033; G06F 3/0317; G06F 3/03545; G06F 3/041; G06K 9/222
See application file for complete search history.

(56) **References Cited**

U.S. PATENT DOCUMENTS

D352,703 S * 11/1994 Mitcham D14/411
D597,547 S * 8/2009 Smith D14/411

D675,621 S * 2/2013 Fletcher D14/411
D684,579 S * 6/2013 Chen D14/411
D704,710 S * 5/2014 Chen D14/411
D706,267 S * 6/2014 Nakata D14/411
D709,886 S * 7/2014 Lin D14/411
D720,349 S * 12/2014 Comerford D14/411
D762,645 S * 8/2016 Cavallaro D14/402
D783,617 S * 4/2017 Chrenka D14/411
D799,489 S * 10/2017 Chen D14/411
D873,827 S * 1/2020 Lu D14/411

* cited by examiner

Primary Examiner — Austin Murphy

(74) *Attorney, Agent, or Firm* — Kevin Schraven; Anooj Patel; Hankin Patent Law, APC

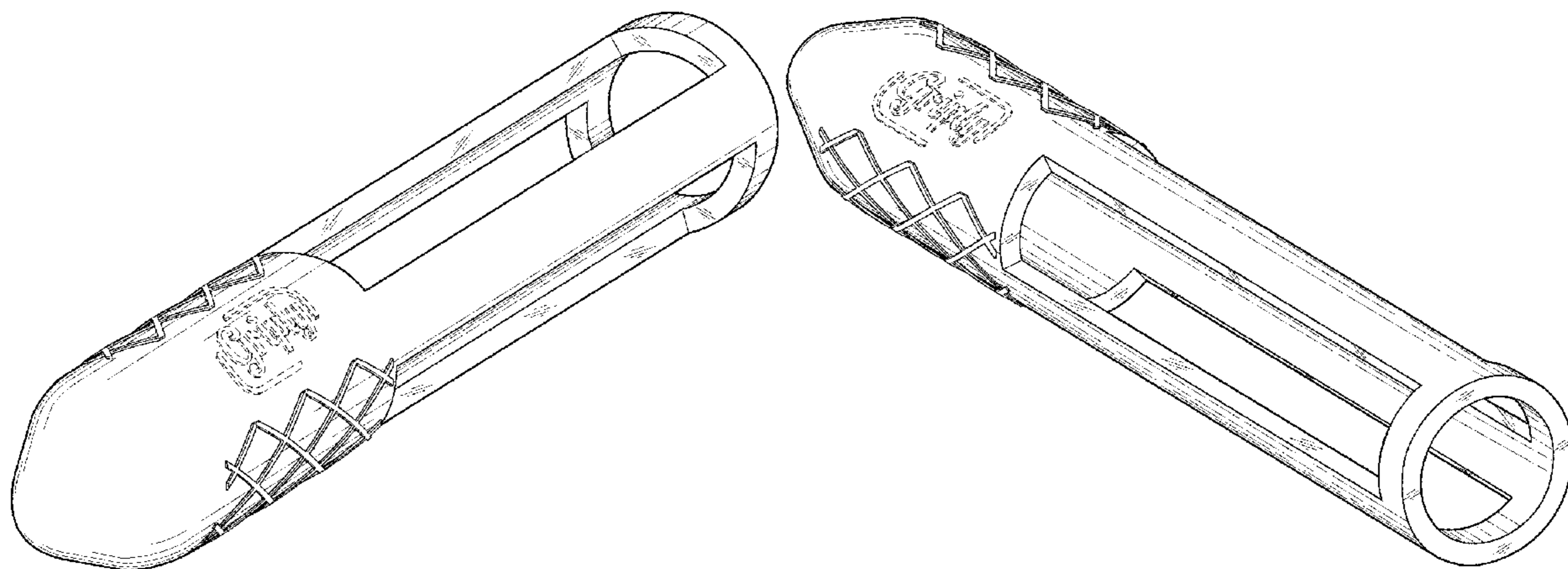
(57) **CLAIM**

The ornamental design for a stylus topper, as shown and described.

DESCRIPTION

FIG. 1 is a top perspective view of an embodiment of a stylus topper, showing my new design.
FIG. 2 is a bottom perspective view thereof.
FIG. 3 is a front elevational view thereof.
FIG. 4 is a rear elevational view thereof.
FIG. 5 is a left side view thereof.
FIG. 6 is a right side view thereof.
FIG. 7 is a top plan view thereof; and,
FIG. 8 is a bottom plan view thereof.
The broken lines showing certain wording is for the purpose of illustrating unclaimed subject matter and form no part of the claimed design.

1 Claim, 8 Drawing Sheets



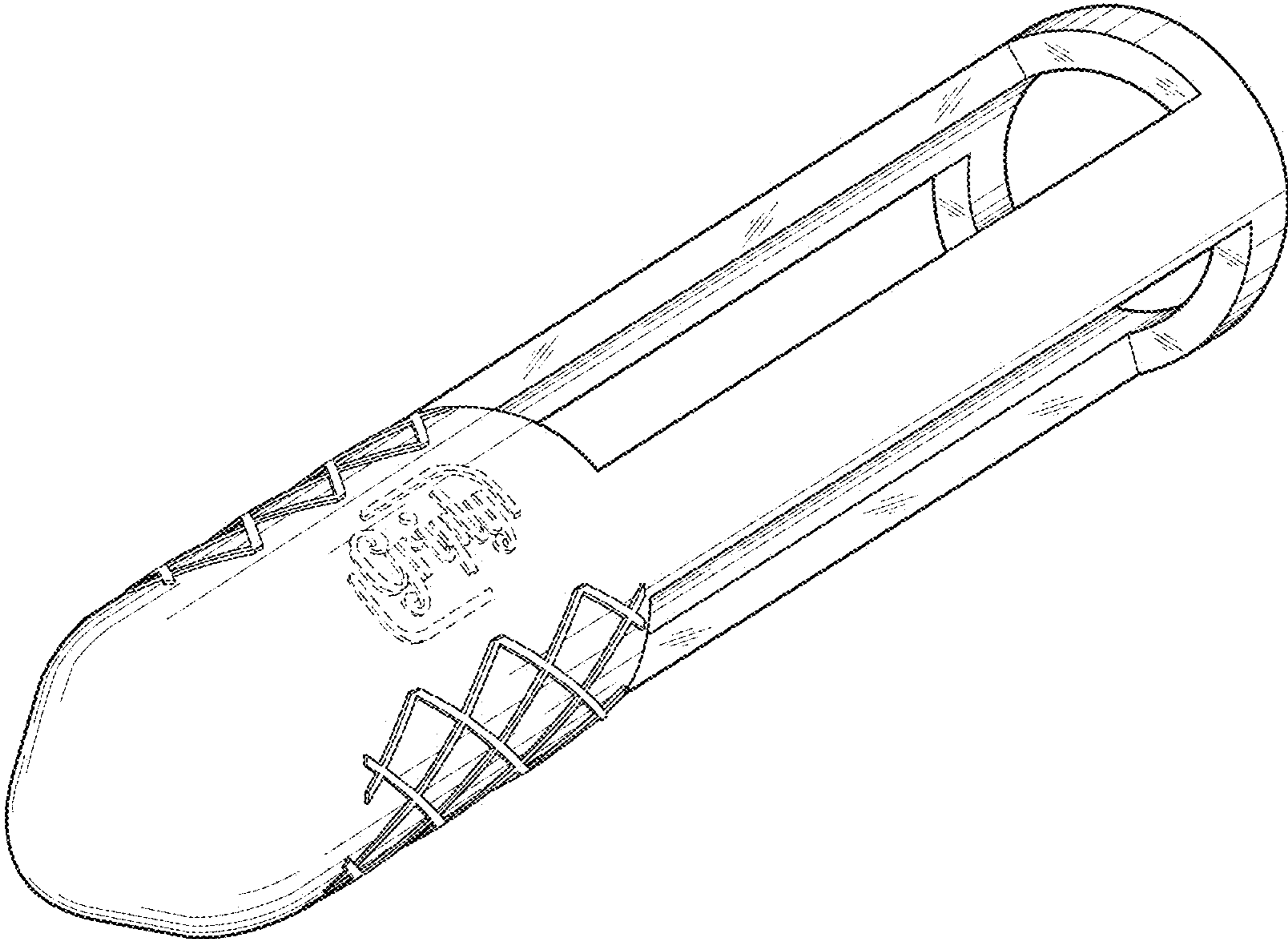


Fig. 1

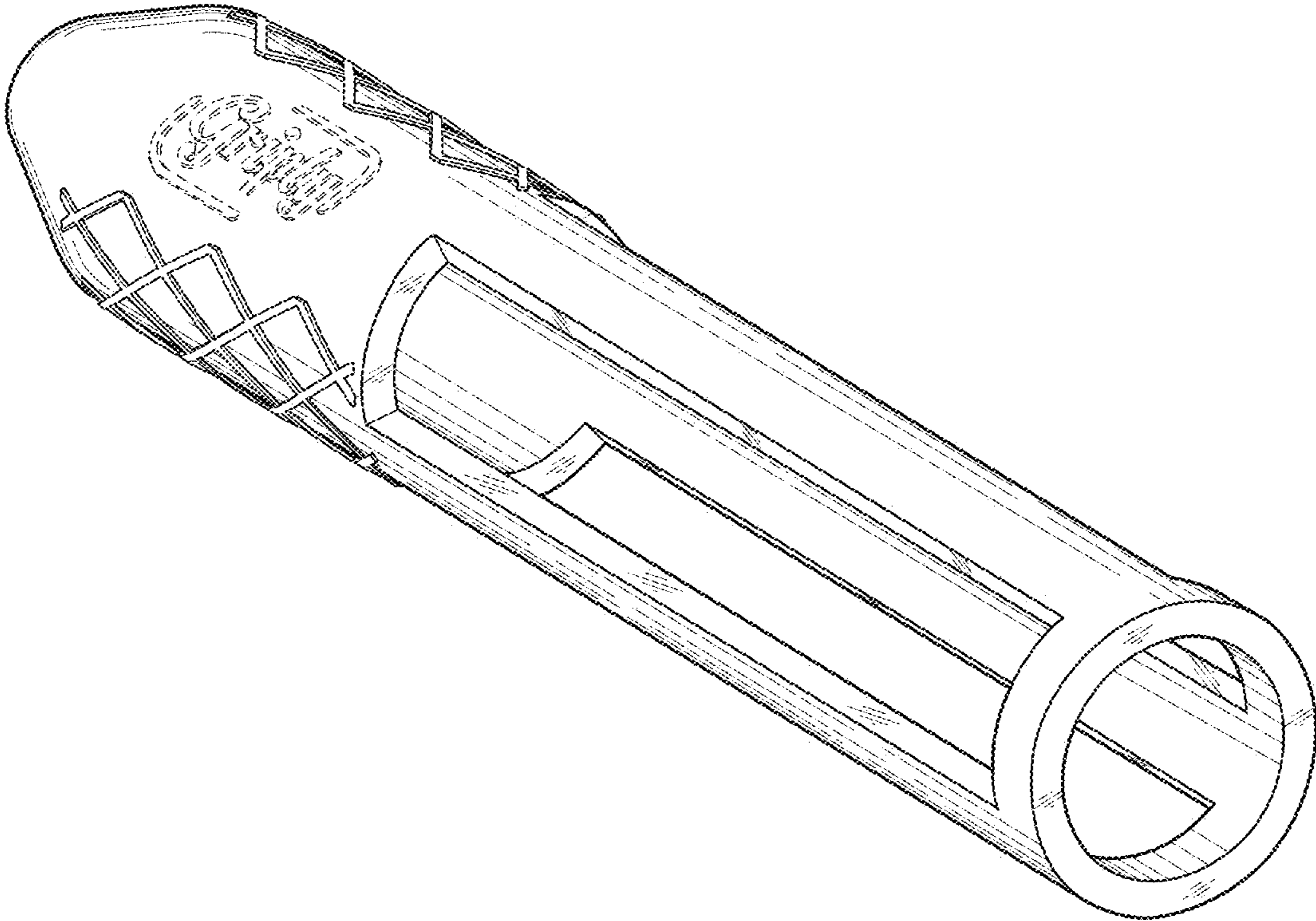


Fig.2

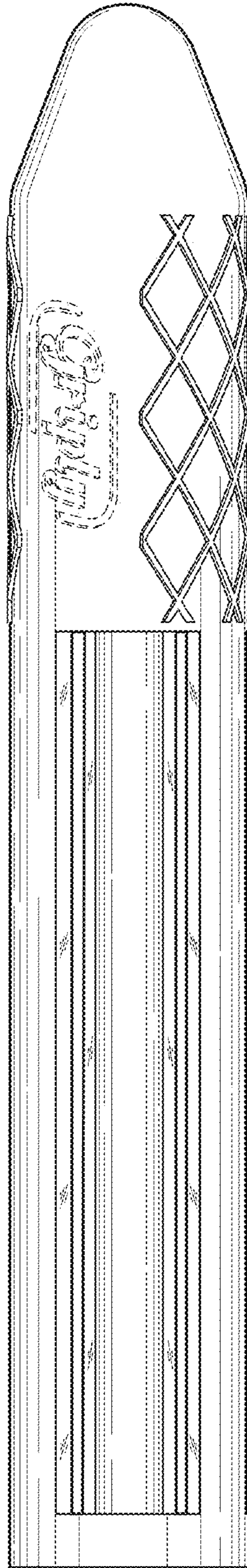


Fig.3

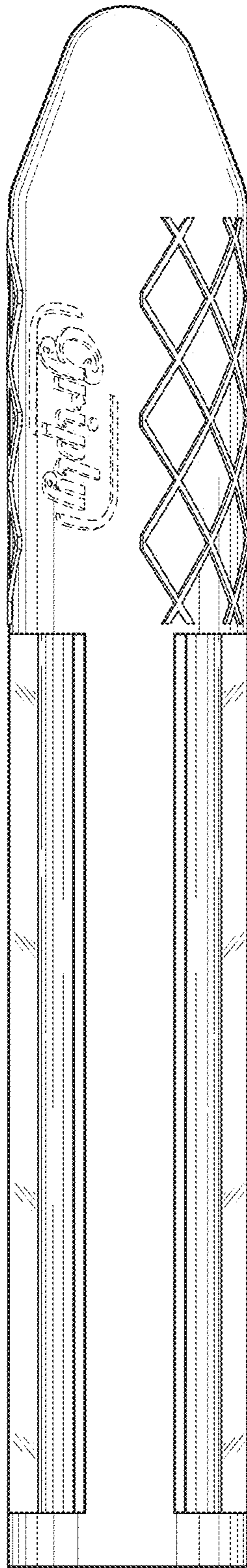


Fig.4

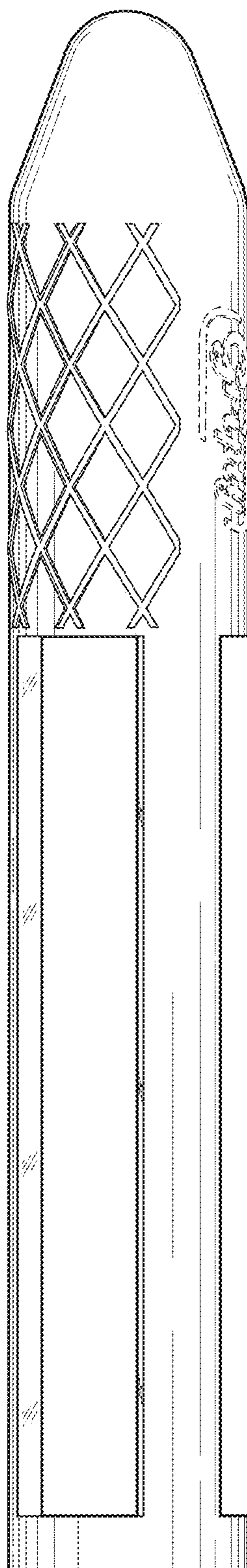


Fig. 5

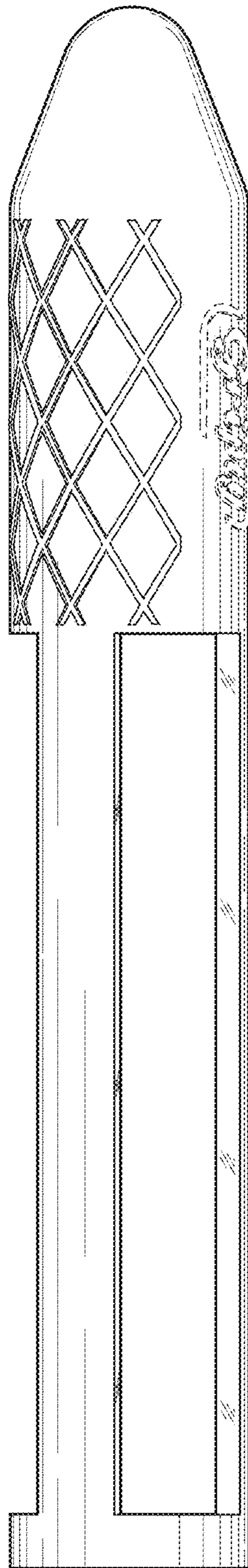


Fig.6

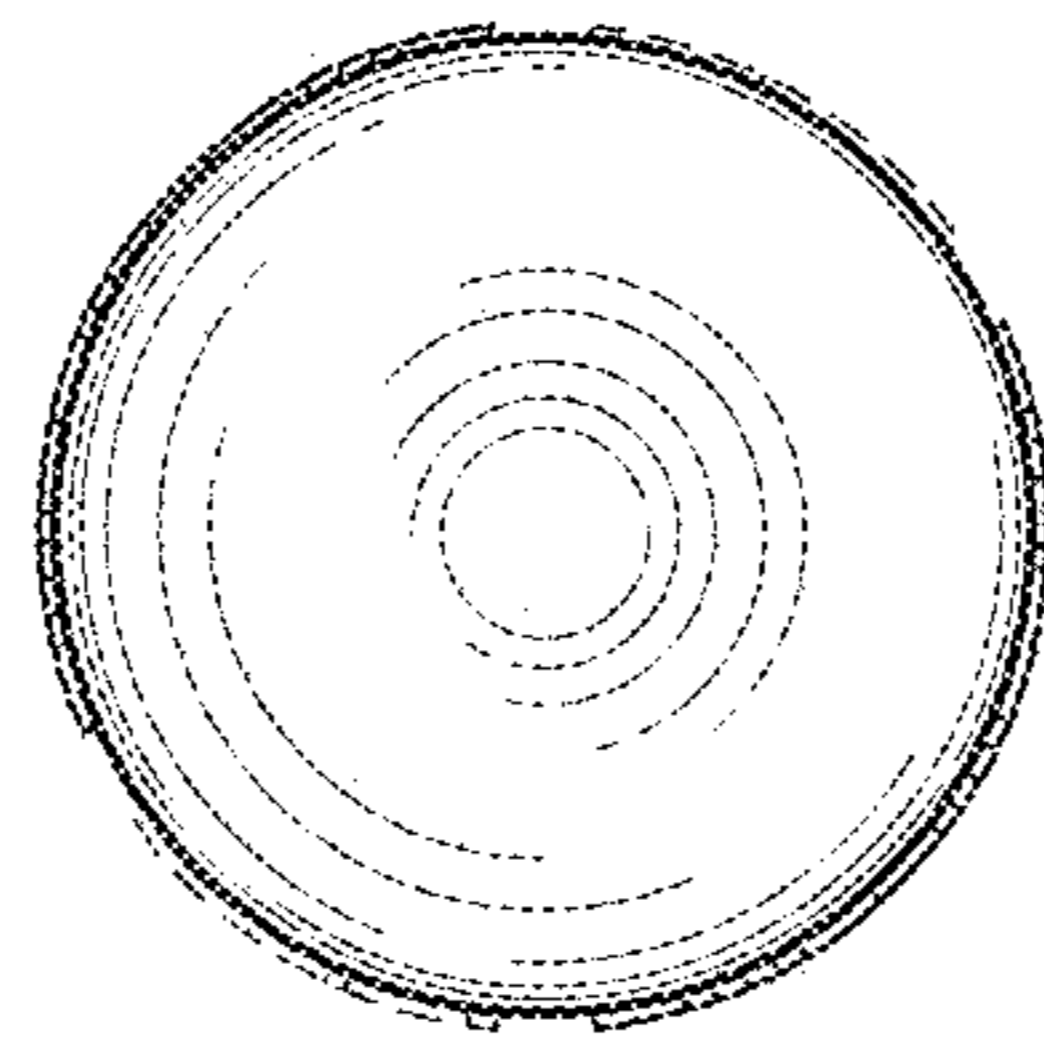


Fig. 7

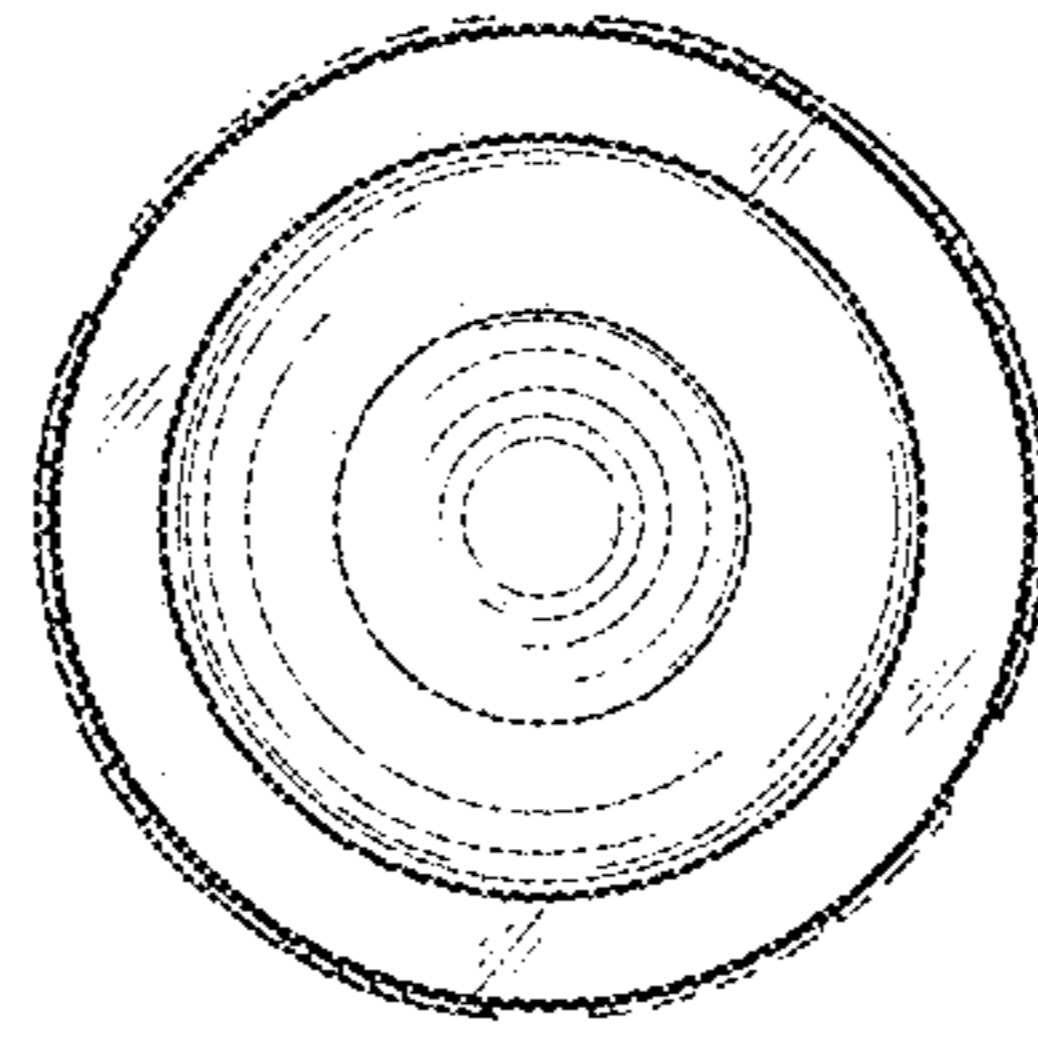


Fig. 8