



US00D911341S

(12) **United States Design Patent** (10) **Patent No.:** **US D911,341 S**
Nishizawa (45) **Date of Patent:** **** Feb. 23, 2021**

(54) **ELECTRONIC PEN**
(71) Applicant: **Wacom Co., Ltd.**, Kazo (JP)
(72) Inventor: **Naoya Nishizawa**, Toyko (JP)
(73) Assignee: **Wacom Co., Ltd.**, Kazo (JP)
(**) Term: **15 Years**
(21) Appl. No.: **29/700,197**
(22) Filed: **Jul. 31, 2019**

D856,335 S * 8/2019 Lam D14/411
D873,827 S * 1/2020 Lu D14/411
D879,098 S * 3/2020 Wu D14/411
D889,466 S * 7/2020 Weng D14/411
D892,118 S * 8/2020 Yeo D14/411
D895,619 S * 9/2020 Harju D14/411
D895,620 S * 9/2020 Vadenne D14/411

FOREIGN PATENT DOCUMENTS

CN 304046155 S 2/2017
CN 304151368 S 5/2017
CN 304386708 S 12/2017
JP D1568336 S 1/2017

* cited by examiner

Primary Examiner — Austin Murphy
(74) *Attorney, Agent, or Firm* — Christensen O'Connor Johnson Kindness PLLC

(30) **Foreign Application Priority Data**
Feb. 1, 2019 (JP) 2019-002101
(51) **LOC (13) Cl.** **14-02**
(52) **U.S. Cl.**
USPC **D14/411**
(58) **Field of Classification Search**
USPC D14/372, 496, 432, 371, 125, 126, 129,
D14/299, 411; D16/300-342; 351/158,
351/153, 144; 345/7-9, 905; 455/344;
348/115, 53, 121, 739
CPC G02B 27/017; G06F 3/016; G06F 3/033;
G06F 3/0317; G06F 3/03545; G06F
3/041; G06K 9/222
See application file for complete search history.

(57) **CLAIM**

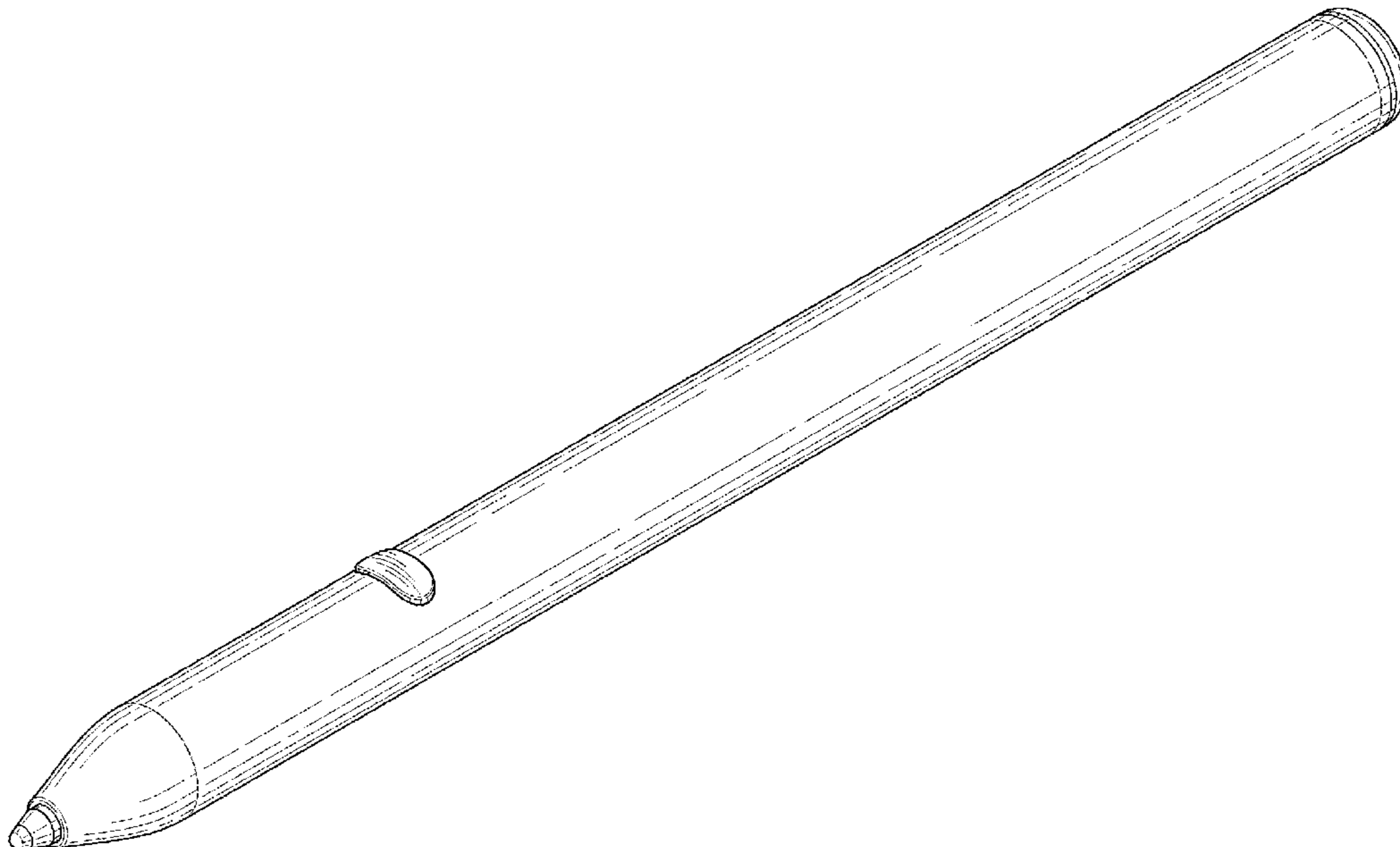
The ornamental design for an electronic pen, as shown and described.

DESCRIPTION

FIG. 1 is a top-front-left perspective view of a representative embodiment of an electronic pen according to my new design;
FIG. 2 is a bottom-rear-right perspective view thereof;
FIG. 3 is front elevational view thereof;
FIG. 4 is a rear elevational view thereof;
FIG. 5 is a left side elevational view thereof, wherein the right side elevational view is a mirror image of the right left side elevational view;
FIG. 6 is a top plan view thereof;
FIG. 7 is a bottom plan view thereof; and,
FIG. 8 is a partial left side elevational view of a portion of the electronic pen indicated in FIG. 5.

(56) **References Cited**
U.S. PATENT DOCUMENTS
D715,298 S * 10/2014 Hong D14/411
D725,114 S * 3/2015 Roskopp D14/411
D773,462 S * 12/2016 Mitchell D14/411
D799,488 S * 10/2017 Nishizawa D14/411
D832,840 S * 11/2018 Shi D14/411
D835,106 S 12/2018 Hsu et al.
D848,425 S * 5/2019 Lam D14/411

1 Claim, 4 Drawing Sheets



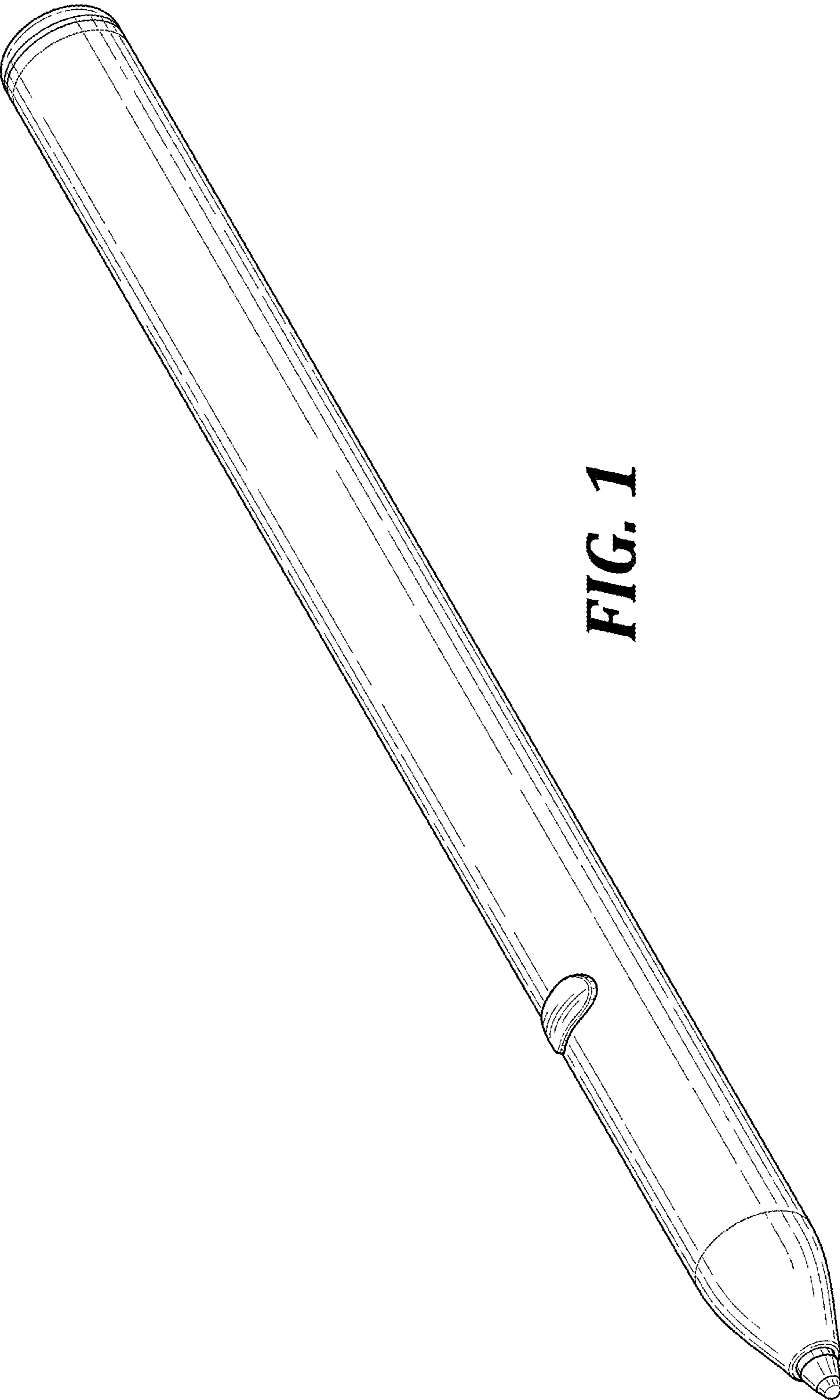


FIG. 1

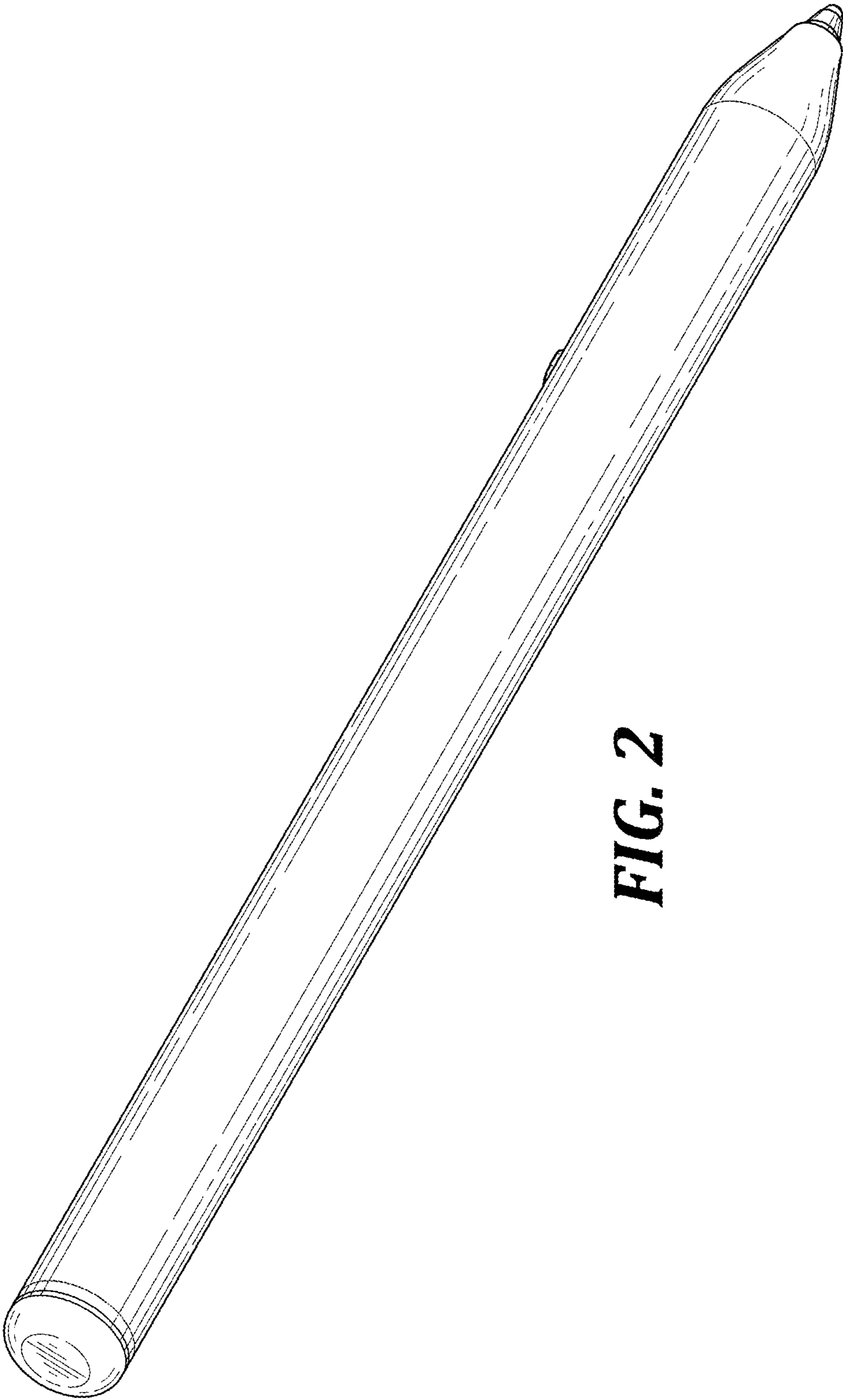


FIG. 2

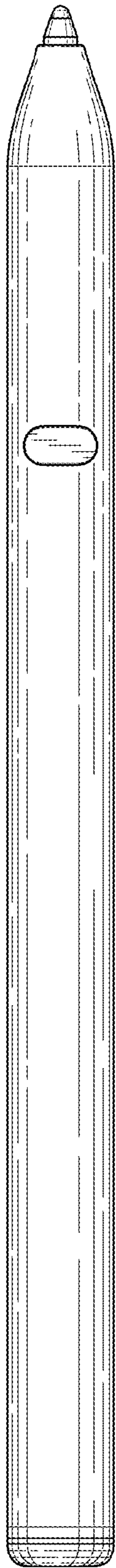


FIG. 3

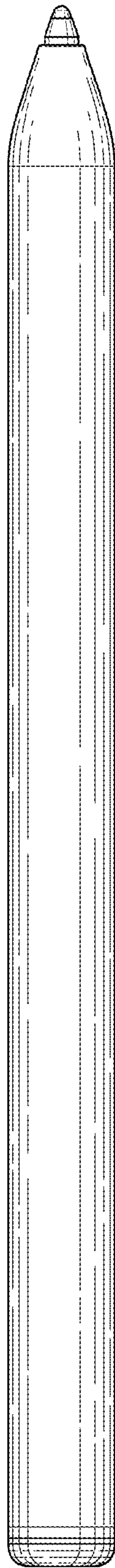


FIG. 4

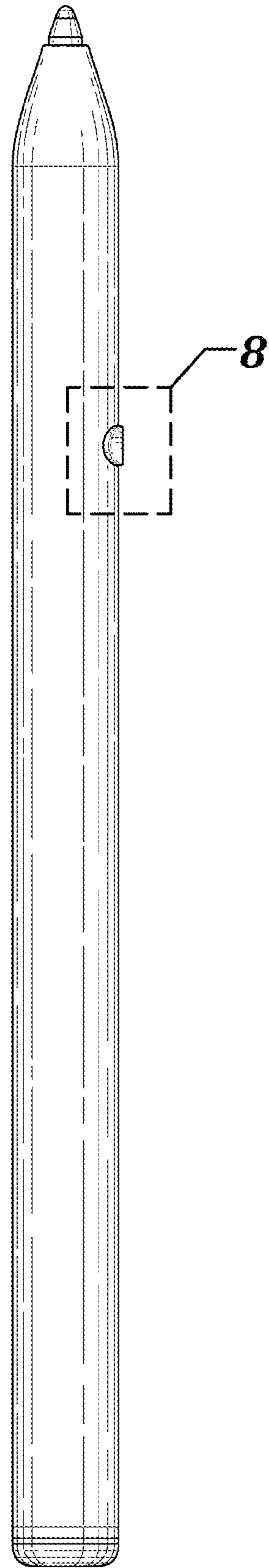


FIG. 5

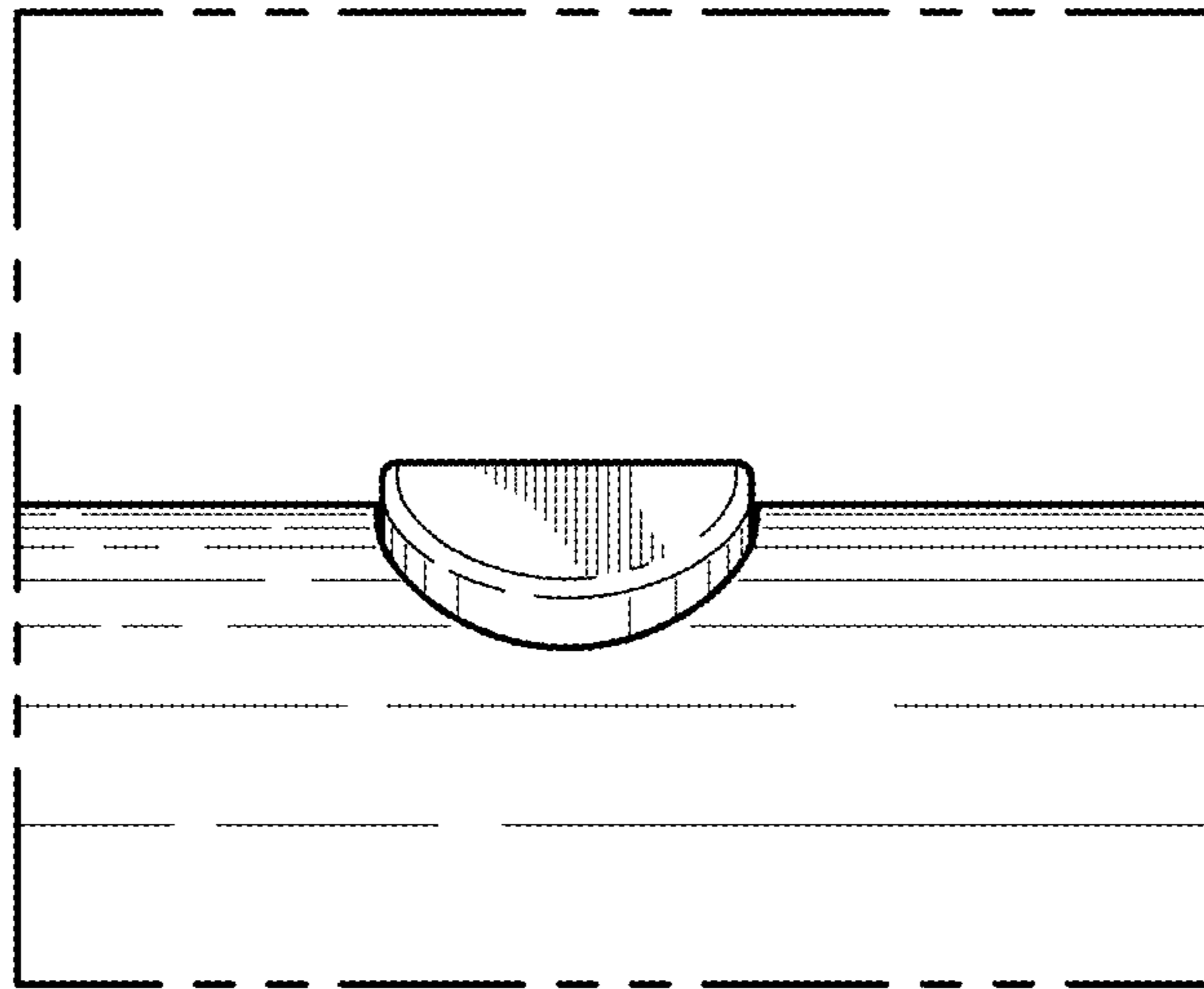


FIG. 8

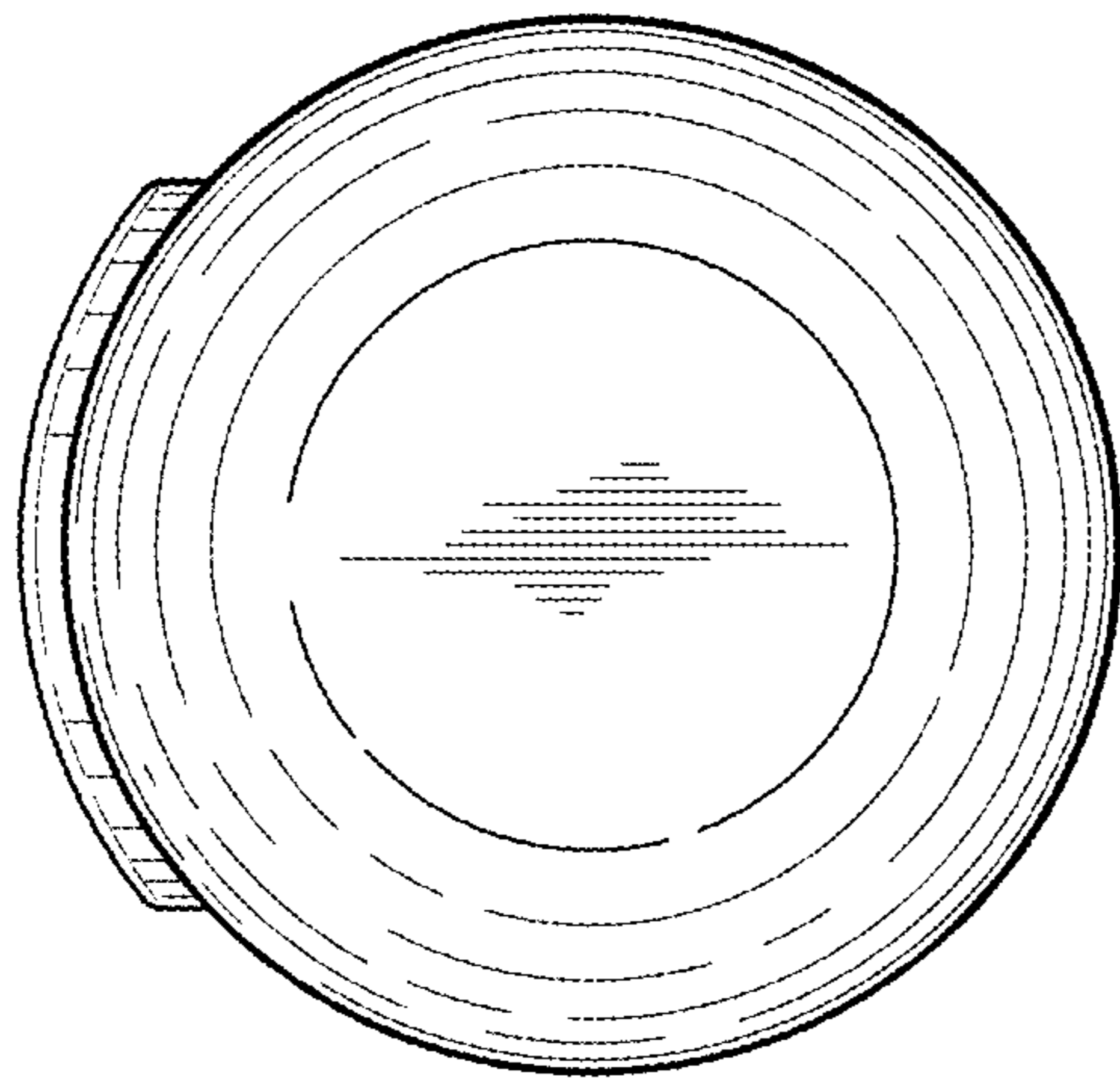


FIG. 7

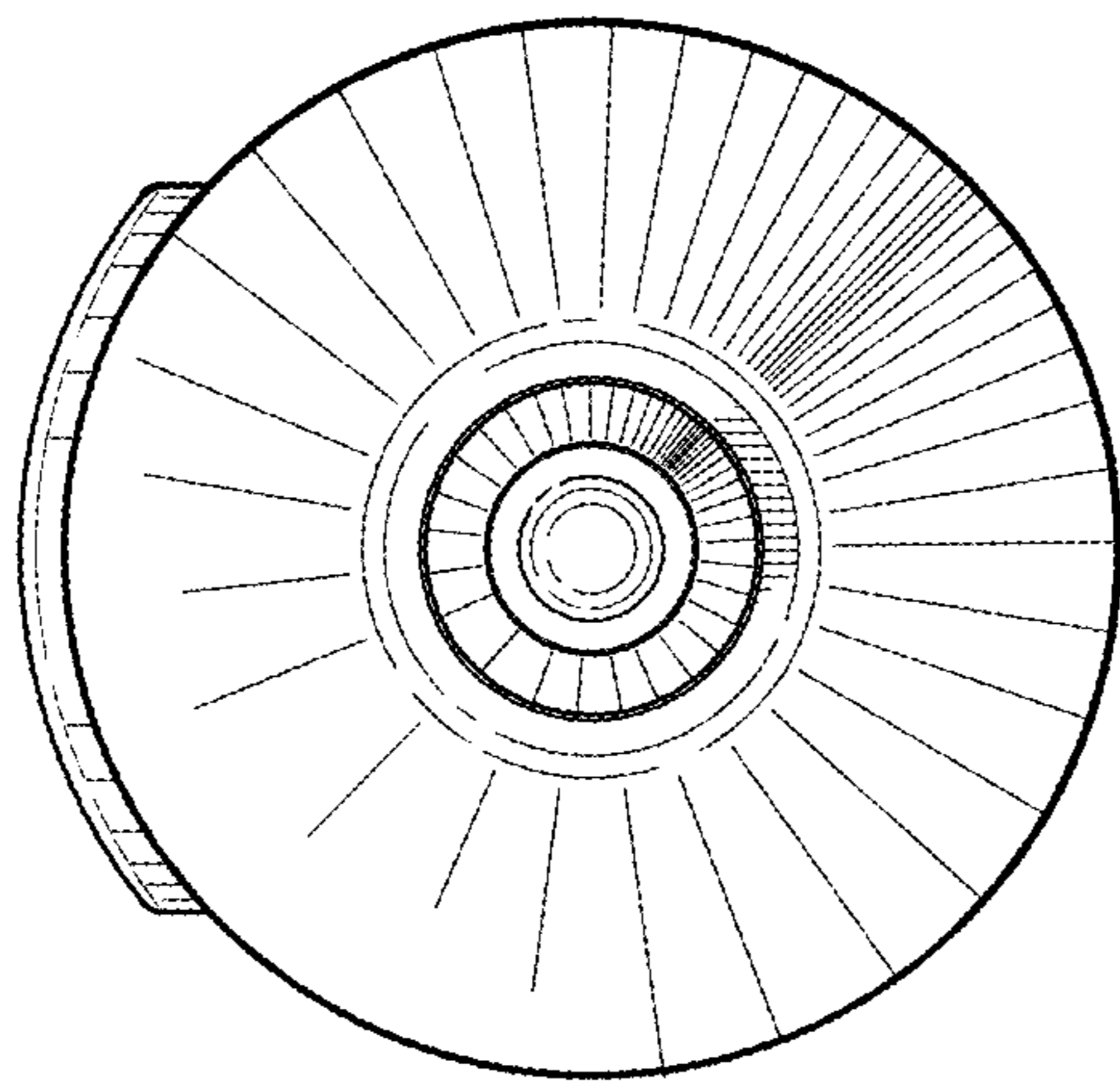


FIG. 6