



US00D911338S

(12) **United States Design Patent** (10) **Patent No.:** **US D911,338 S**  
**Cooper et al.** (45) **Date of Patent:** **\*\* Feb. 23, 2021**

(54) **COMPUTER POINTING DEVICE**

(56) **References Cited**

(71) Applicants: **The United States Government as represented by the Department of Veterans Affairs, Washington, DC (US); University of Pittsburgh—Of The Commonwealth System of Higher Education, Pittsburgh, PA (US)**

U.S. PATENT DOCUMENTS

D288,930	S	*	3/1987	Barbera	.....	D14/402
D328,596	S	*	8/1992	Manabe	.....	D14/402
D338,883	S	*	8/1993	Melzer	.....	D14/402
D357,238	S	*	4/1995	Zirinsky	.....	D14/402
D359,955	S	*	7/1995	Barrett	.....	D14/402
6,064,370	A	*	5/2000	Wang	.....	B03B 5/623
						345/156
D427,598	S	*	7/2000	Ciesko	.....	D14/402
D441,362	S	*	5/2001	Sevougian	.....	D14/402
D442,958	S	*	5/2001	Funakoshi	.....	D14/402
D495,711	S	*	9/2004	Willat	.....	D14/402
D514,105	S	*	1/2006	Ohta	.....	D14/384
D518,050	S	*	3/2006	Wood	.....	D14/384

(72) Inventors: **Rory A. Cooper, Gibsonia, PA (US); Garrett Grindle, Pittsburgh, PA (US); Zak Anzelone, Blairsville, PA (US); Aaron Anderson, Pittsburgh, PA (US)**

(73) Assignees: **The United States Government as represented by the Department of Veterans Affairs, Washington, DC (US); University of Pittsburgh—Of The Commonwealth System of Higher Education, Pittsburgh, PA (US)**

(Continued)

*Primary Examiner* — Austin Murphy  
(74) *Attorney, Agent, or Firm* — Ballard Spahr LLP

(\*\*) Term: **15 Years**

(57) **CLAIM**

We claim the ornamental design for a computer pointing device, as shown and described.

(21) Appl. No.: **29/744,234**

**DESCRIPTION**

(22) Filed: **Jul. 28, 2020**

**Related U.S. Application Data**

(62) Division of application No. 29/685,637, filed on Mar. 29, 2019, now Pat. No. Des. 894,899.

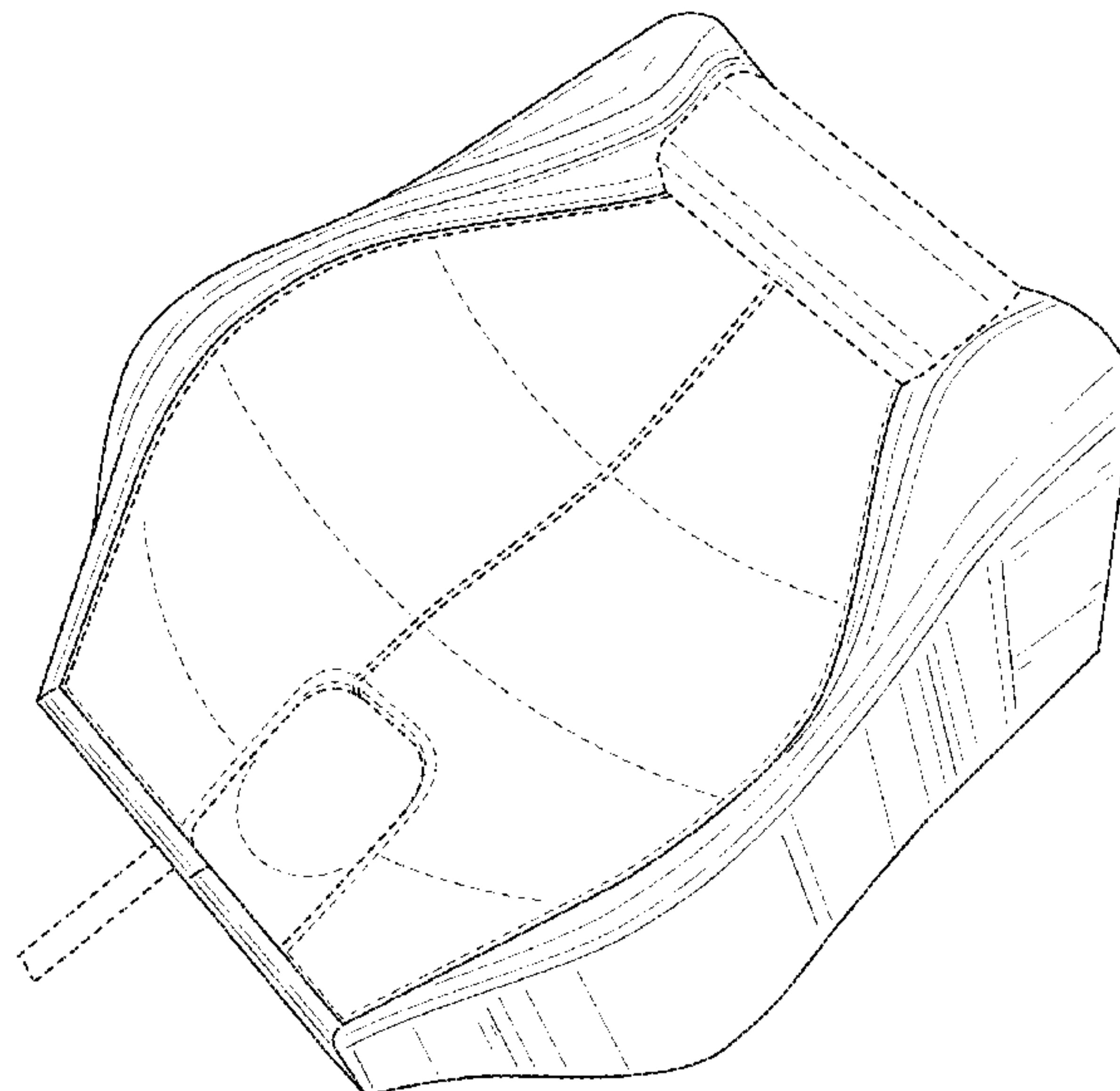
(51) **LOC (13) Cl.** ..... **14-02**

(52) **U.S. Cl.**  
USPC ..... **D14/402**

(58) **Field of Classification Search**  
USPC ..... D14/402–411, 356, 388, 389, 383–385, D14/417, 426; 345/156–167; 463/36–38; 358/471, 473; 273/148 B  
CPC ..... G06F 3/03543; G06F 2203/0333; G06F 3/039; G06F 3/038; G06F 2203/0384  
See application file for complete search history.

FIG. 1 is an isometric view of an embodiment of our design for a computer pointing device;  
FIG. 2 is a front view of the design of the computer pointing device shown in FIG. 1;  
FIG. 3 is a rear view of the design of the computer pointing device shown in FIG. 1;  
FIG. 4 is a right side view of the design of the computer pointing device shown in FIG. 1, the left side view being a mirror image thereof;  
FIG. 5 is a top view of the design of the computer pointing device shown in FIG. 1; and,  
FIG. 6 is a bottom view of the design of the computer pointing device shown in FIG. 1.  
The broken lines depict portions of the computer pointing device that form no part of the claimed design.

**1 Claim, 6 Drawing Sheets**



(56)

**References Cited**

U.S. PATENT DOCUMENTS

D801,971 S	*	11/2017	Howell	.....	D14/384
D801,972 S	*	11/2017	Howell	.....	D14/384
D890,753 S	*	7/2020	Iasso	.....	D14/384
D894,899 S	*	9/2020	Cooper	.....	D14/402

\* cited by examiner

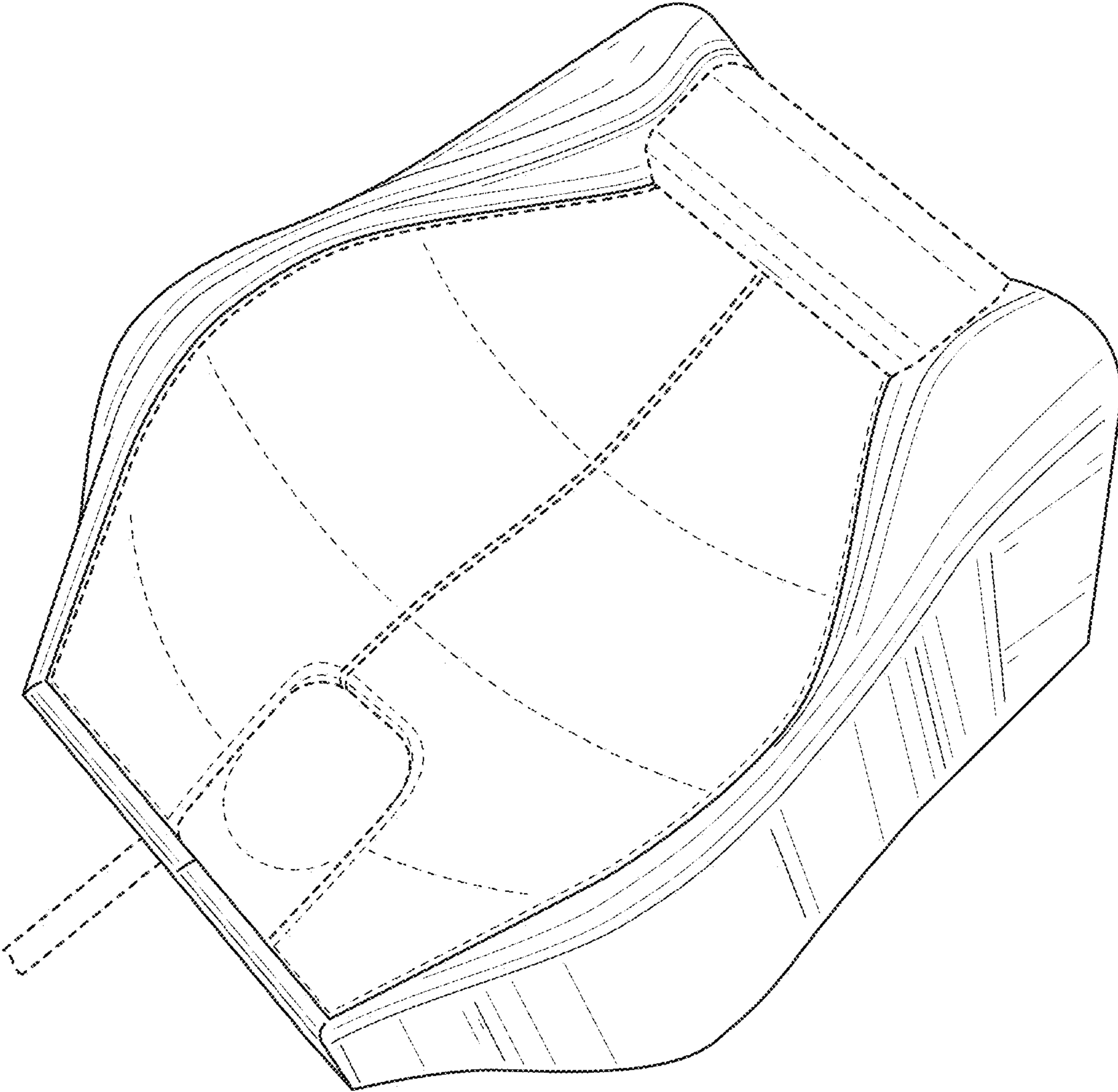


FIG. 1

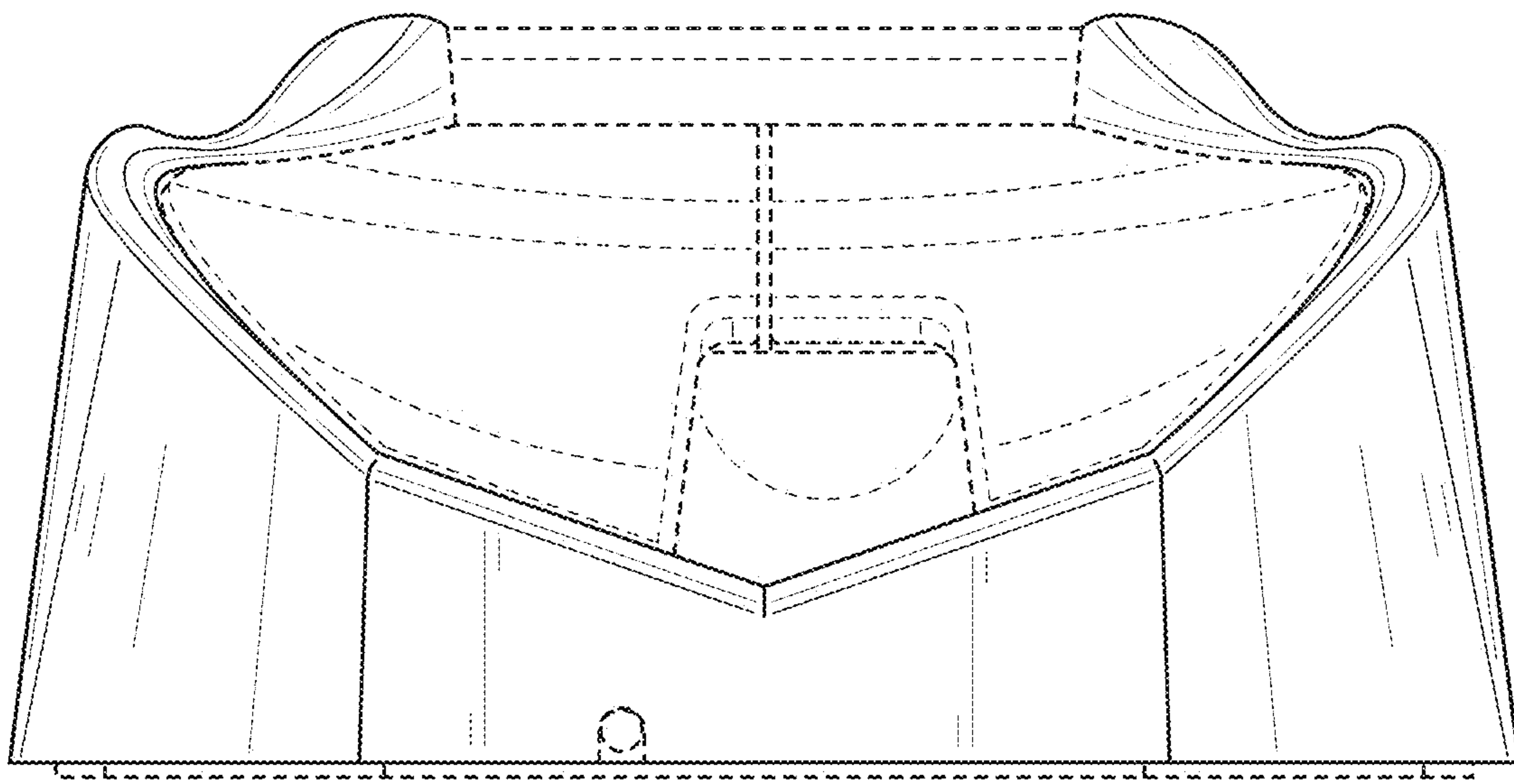


FIG. 2

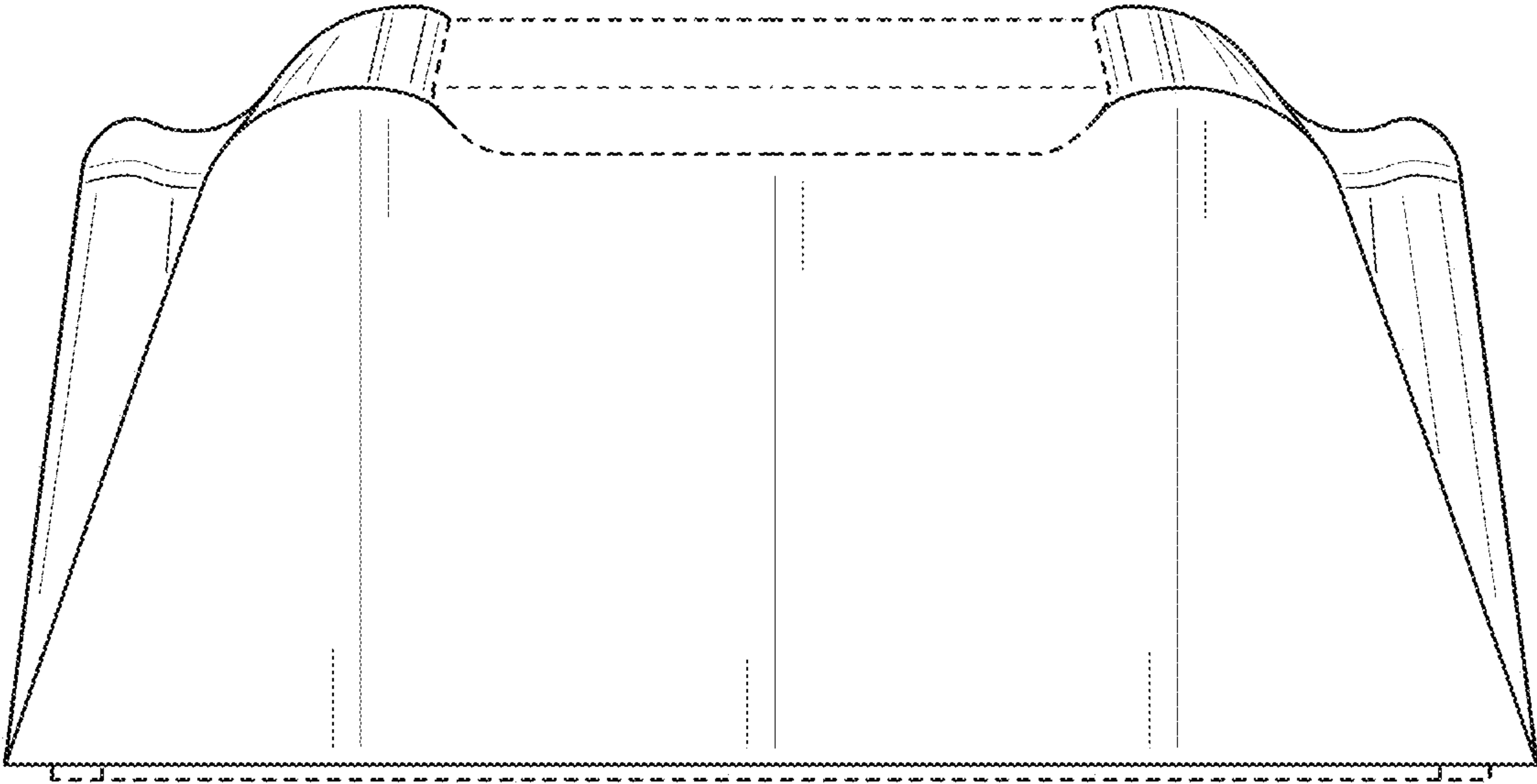


FIG. 3

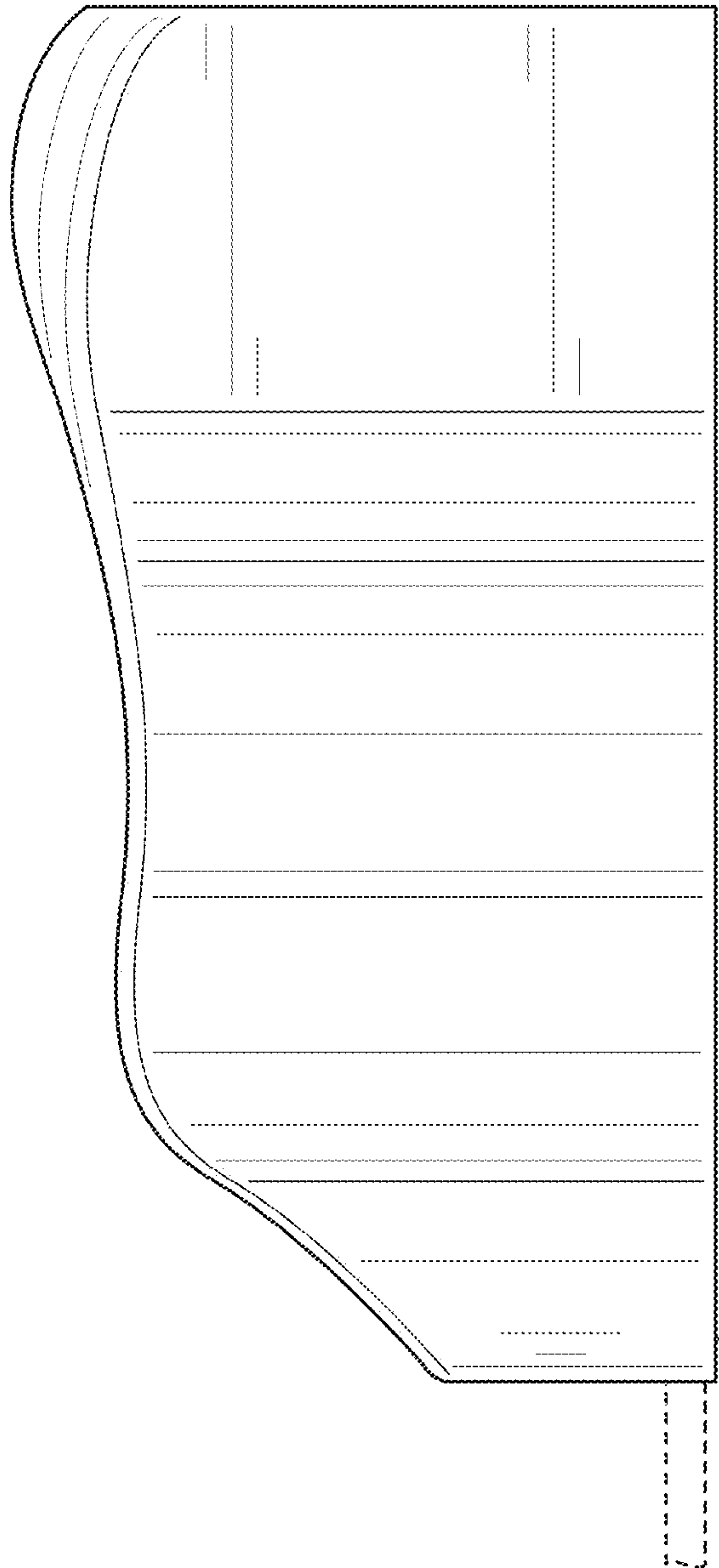


FIG. 4



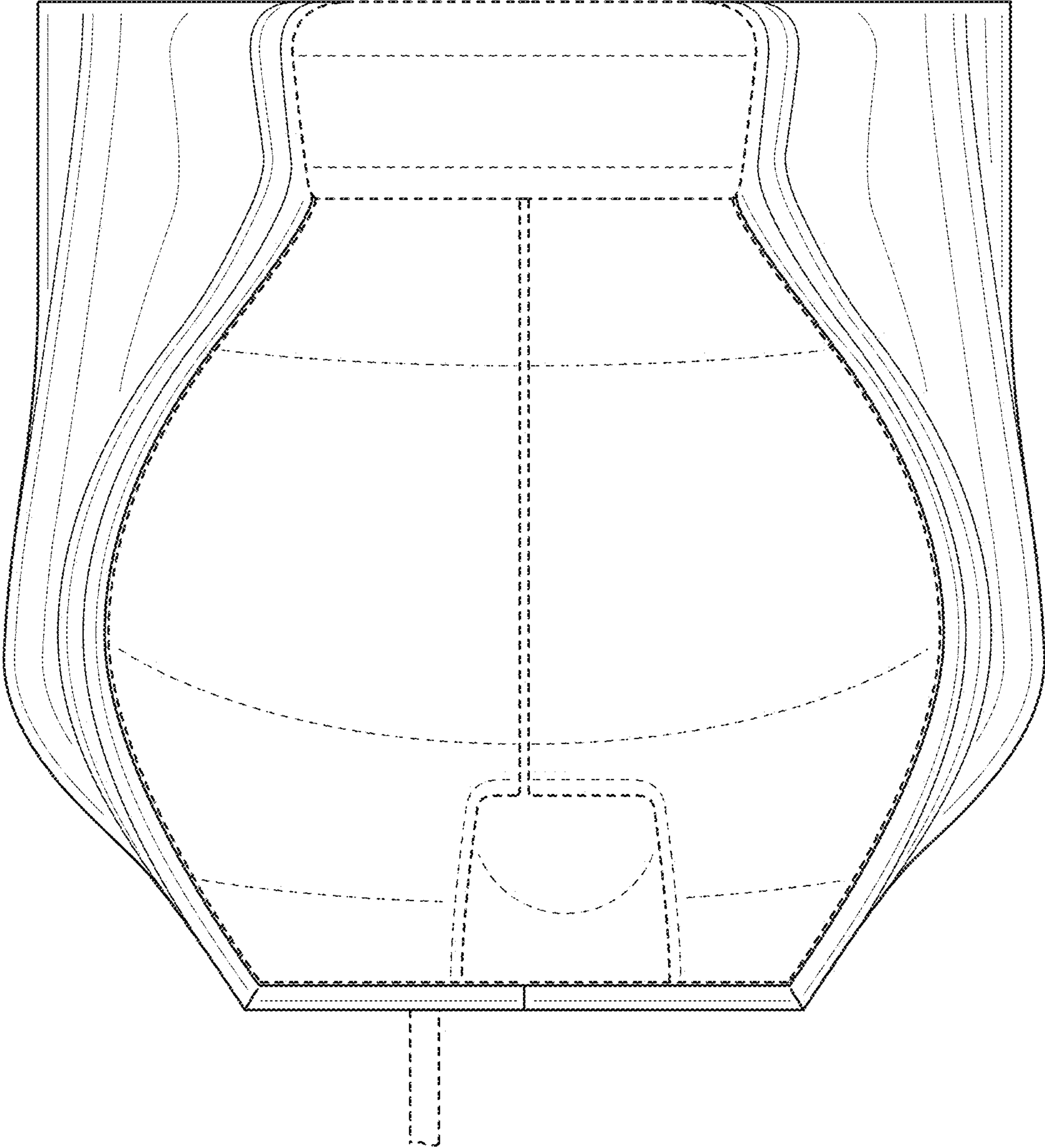


FIG. 5

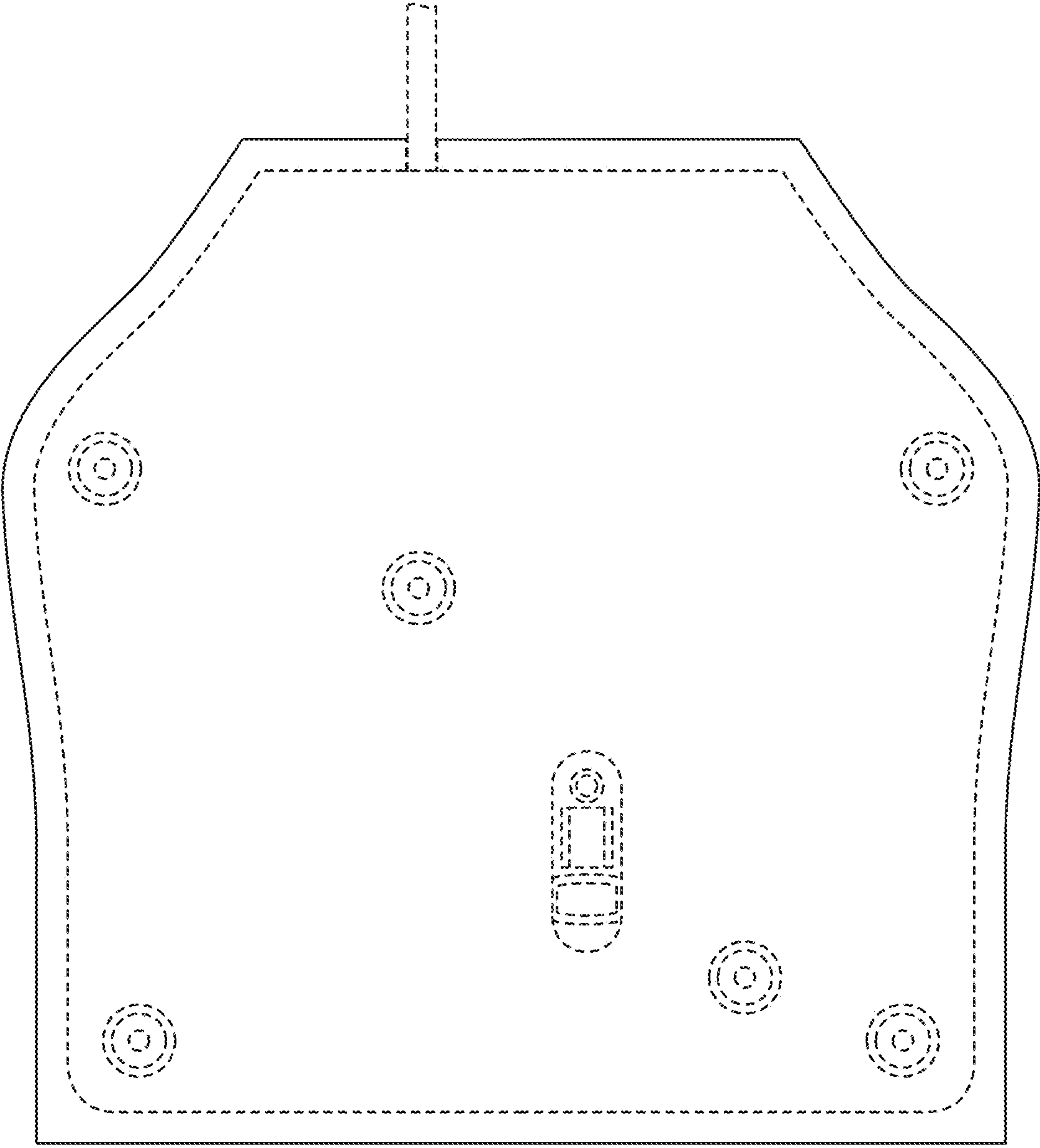


FIG. 6