



US00D911337S

(12) **United States Design Patent** (10) **Patent No.:** **US D911,337 S**
Li (45) **Date of Patent:** **** Feb. 23, 2021**

(54) **KEYBOARD**
(71) Applicant: **SHENZHEN XIAOMA EXPRESS INDUSTRY CO., LTD.**, Shenzhen (CN)
(72) Inventor: **Kaijun Li**, Shenzhen (CN)
(73) Assignee: **SHENZHEN XIAOMA EXPRESS INDUSTRY CO., LTD.**, Shenzhen (CN)

2003/0002910 A1* 1/2003 Jeffries G06F 3/0202
400/714
2003/0006128 A1* 1/2003 Giles H01H 13/705
200/314
2007/0159778 A1* 7/2007 Lin G06F 1/181
361/679.22

(Continued)

FOREIGN PATENT DOCUMENTS

CN 304345020 * 11/2017
EM 007271648-0001 * 11/2019

OTHER PUBLICATIONS

Ann Pro 2 Mechanical Keyboard, Anne Pro, amazon.com, published by Ann Pro, available on Sep. 20, 2019 © 1996-2020 Amazon.com, online, site visited Dec. 10, 2020. Available from Internet, URL: https://www.amazon.com/ANNE-PRO-Wireless-Mechanical-Keyboard/dp/B07Y4ZVP6J/ref=as_li_ss_tl?dchild=1&key... (Year: 2019).*

(Continued)

Primary Examiner — Marissa J Cash
Assistant Examiner — Altaira J Swangin

(57) **CLAIM**

The ornamental design for a keyboard, as shown and described.

DESCRIPTION

FIG. 1 is a perspective view of a keyboard showing my new design;
FIG. 2 is another perspective view thereof;
FIG. 3 is a front elevational view thereof;
FIG. 4 is a rear elevational view thereof;
FIG. 5 is a left side elevational view thereof;
FIG. 6 is a right side elevational view thereof;
FIG. 7 is a top plan view thereof; and,
FIG. 8 is a bottom plan view thereof.
The broken lines in the drawings depict portions of the keyboard that form no part of the claimed design.

1 Claim, 8 Drawing Sheets

(**) Term: **15 Years**
(21) Appl. No.: **29/714,072**
(22) Filed: **Nov. 21, 2019**
(51) **LOC (13) Cl.** **14-02**
(52) **U.S. Cl.**
USPC **D14/392**
(58) **Field of Classification Search**
USPC D14/247, 315–327, 331–333, 338,
D14/345–347, 387, 390–401, 406, 429,
D14/455–457, 460–461, 447, 459;
D18/1–2, 4.1–4.6, 7, 11, 12.2, 52;
D21/324, 409
CPC B41J 5/00; B41J 5/10; B41J 5/12; G06F
3/021; G06F 3/0216; G06F 3/0219; G06F
3/02
See application file for complete search history.

(56) **References Cited**

U.S. PATENT DOCUMENTS

D335,660 S * 5/1993 Busch D14/392
5,951,178 A * 9/1999 Lim G06F 3/0221
400/472
D584,311 S * 1/2009 Noviello D14/396
D613,298 S * 4/2010 Wang D14/455
D680,538 S * 4/2013 Xiao D14/392
D811,398 S * 2/2018 Ca D14/392



(56)

References Cited

U.S. PATENT DOCUMENTS

2009/0135554 A1* 5/2009 Chien G06F 3/0202
361/679.08
2009/0183098 A1* 7/2009 Casparian G06F 3/04886
715/765
2009/0261993 A1* 10/2009 Lee G06F 3/021
341/22
2010/0089737 A1* 4/2010 Tsai H01H 3/125
200/5 A
2012/0012448 A1* 1/2012 Pance H01H 13/83
200/5 A
2012/0013490 A1* 1/2012 Pance G02B 6/0001
341/28
2012/0140117 A1* 6/2012 Waites H04N 21/42221
348/563
2012/0189368 A1* 7/2012 Jawerth G06F 3/0231
400/489
2012/0313855 A1* 12/2012 Sheu G06F 3/0202
345/168
2013/0142558 A1* 6/2013 Griffin G06F 3/0216
400/486
2014/0251772 A1* 9/2014 Welch H01H 3/12
200/344
2015/0280708 A1* 10/2015 Goto G06F 3/023
341/33

2019/0028578 A1* 1/2019 Parienti H04N 5/2252
2019/0094984 A1* 3/2019 Lin G06F 3/0219
2020/0076432 A1* 3/2020 Lee H03K 17/98

OTHER PUBLICATIONS

Mini Mechanical Keyboard, HLL, amazon.com, published by HLL, available on Jul. 20, 2019 © 1996-2020 Amazon.com, online, site visited Dec. 10, 2020. Available from Internet, URL: <https://www.amazon.com/HLL-Mechanical-Keyboard-Wireless-Keyboards/dp/B07VCXZ6GS?th=1> (Year: 2019).*

Mechanical Gaming Keyboard, Dierya, amazon.com, published by Dierya, available on Aug. 8, 2019 © 1996-2020 Amazon.com, online, site visited Dec. 10, 2020. Available from Internet, URL: <https://www.amazon.com/Bluetooth-Mechanical-Hot-Swappable-Waterproof-Programmable/dp/B07W74F4VJ> (Year: 2019).*

Convertible Wireless Mechanical Keyboard, Kemove, kickstarter.com, published by Kemove on Dec. 19, 2019 per wayback machine © 2020 Kickstarter PBC, online, site visited Dec. 10, 2020. Available from Internet, URL: <https://www.kickstarter.com/projects/1726921992/kemove-an-upgradable-64-to-66-key...> (Year: 1029).*

66/64 Wireless Keyboard, Kemove, slickdeals.net, published by Mike Jackson on Jan. 29, 2020 © 1999-2020 Slickdeals, LLC, online, site visited Dec. 10, 2020. Available from Internet, URL: <https://slickdeals.net/article/buying-guide/kemove-wireless-keyboard-review/> (Year: 2020).*

* cited by examiner

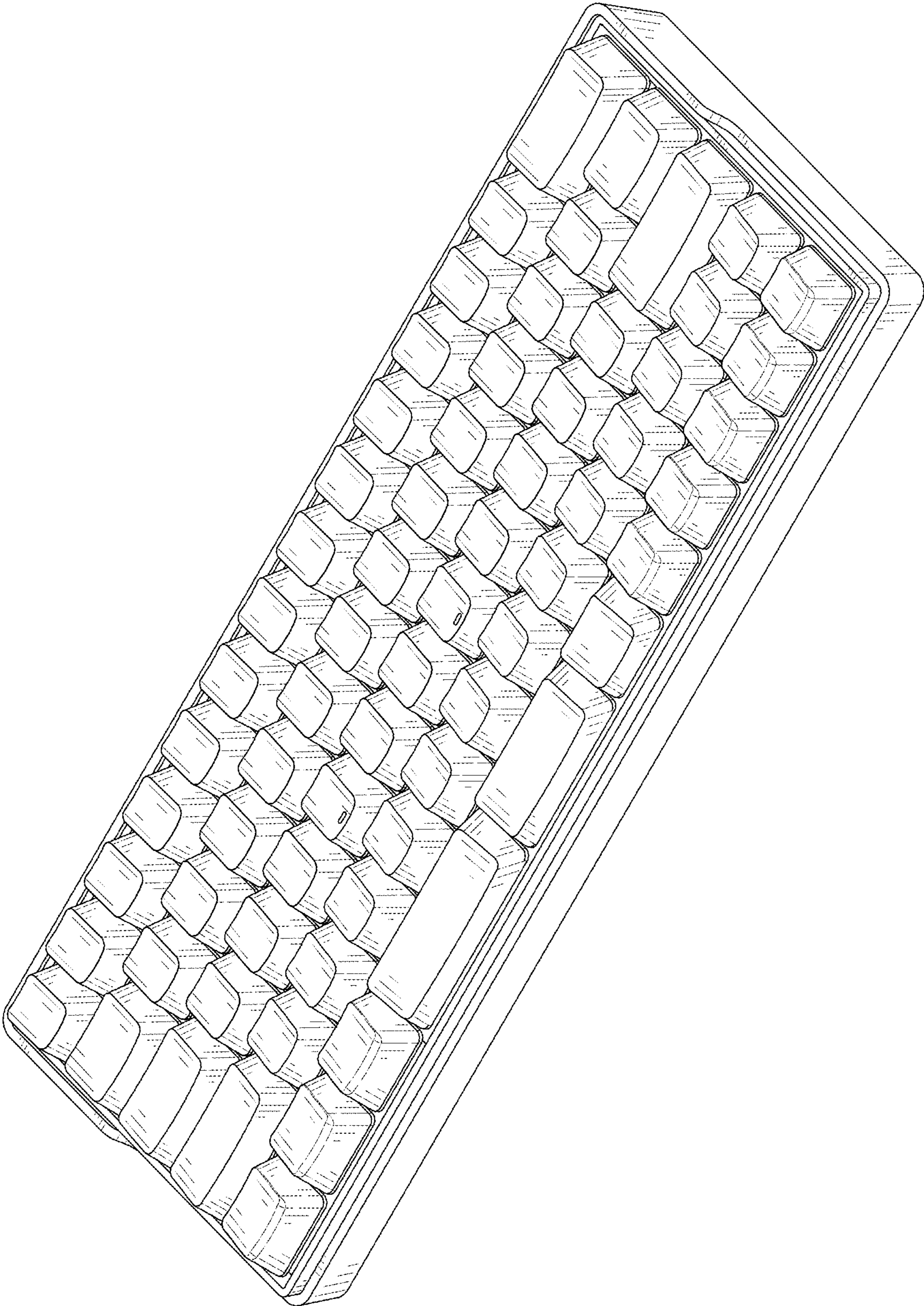


FIG. 1

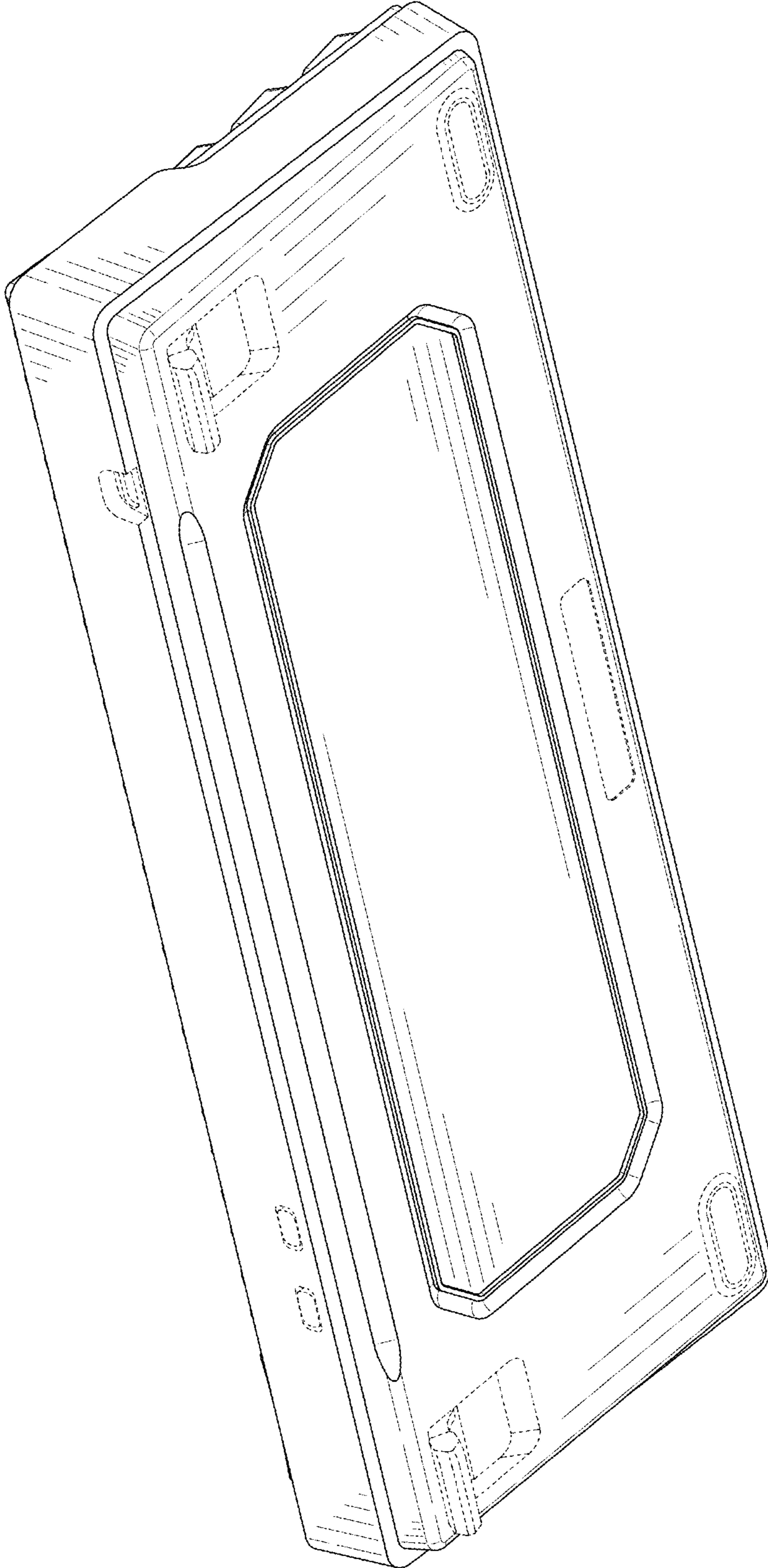


FIG. 2

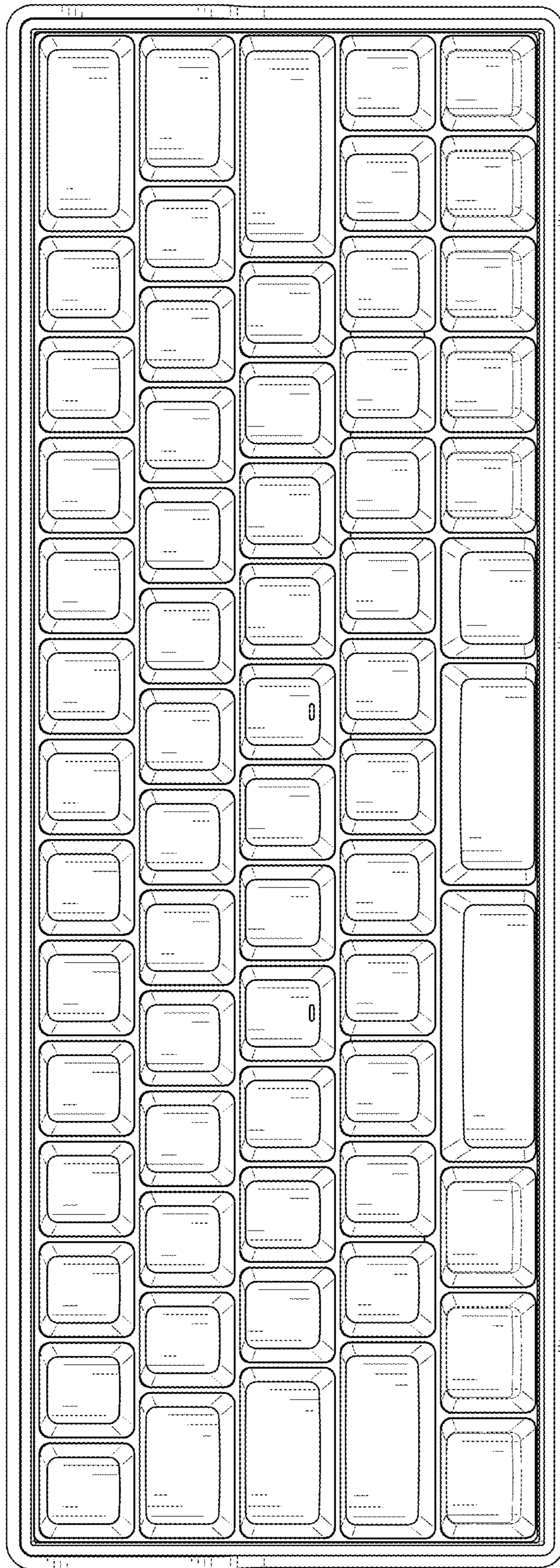


FIG. 3

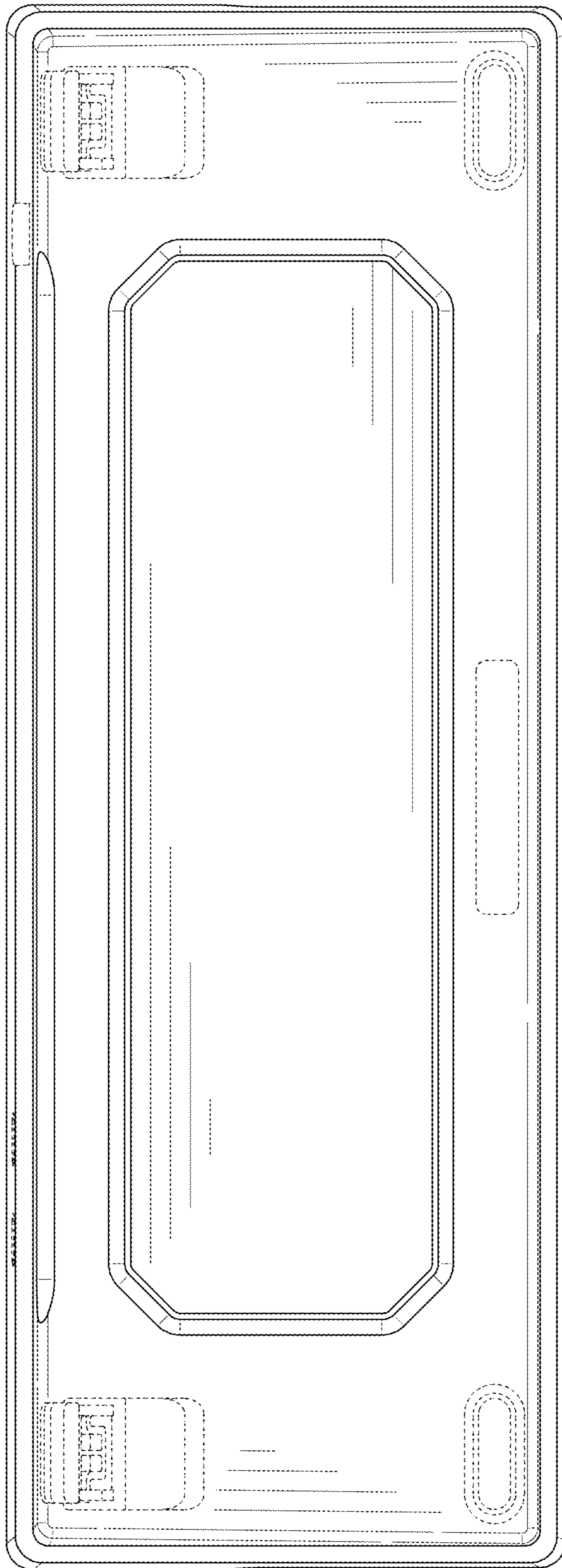


FIG. 4

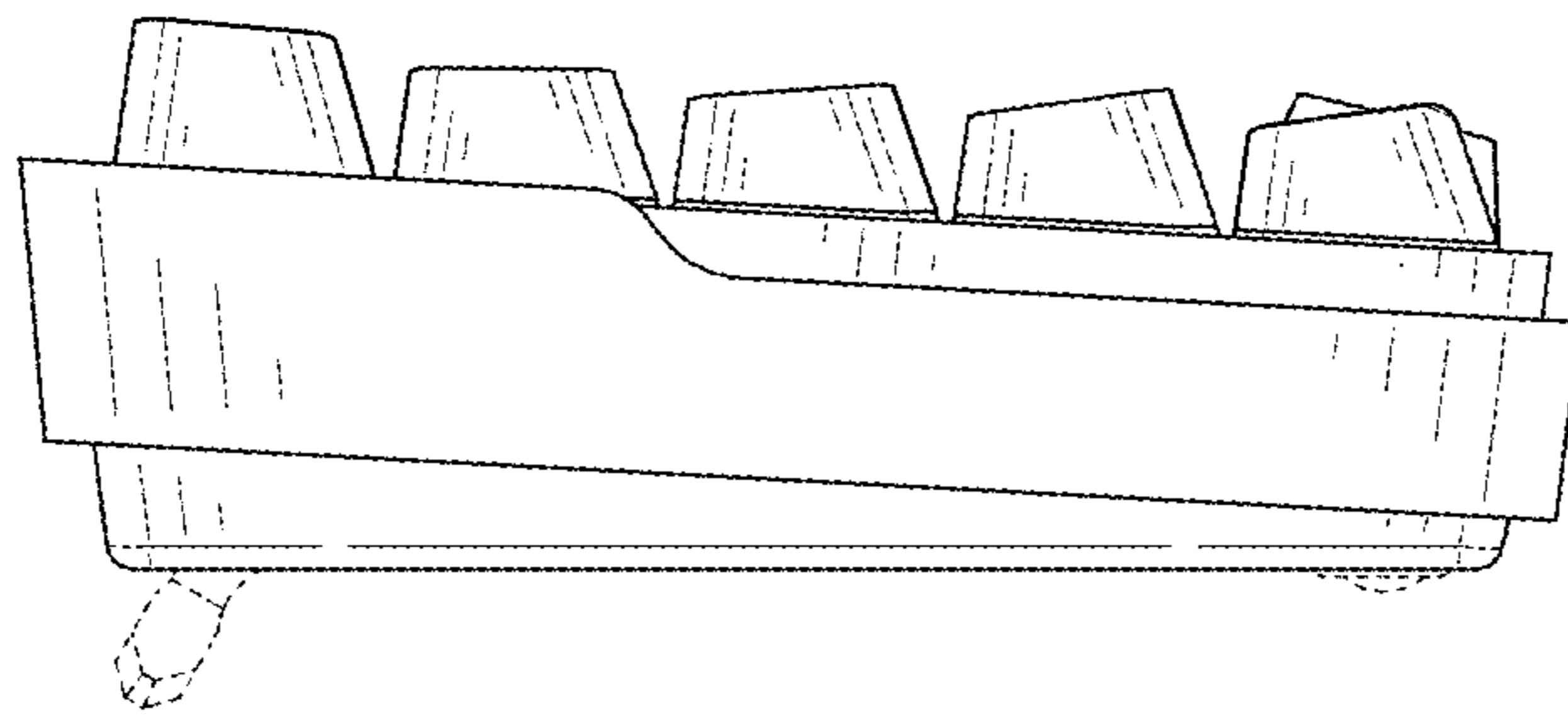


FIG. 5

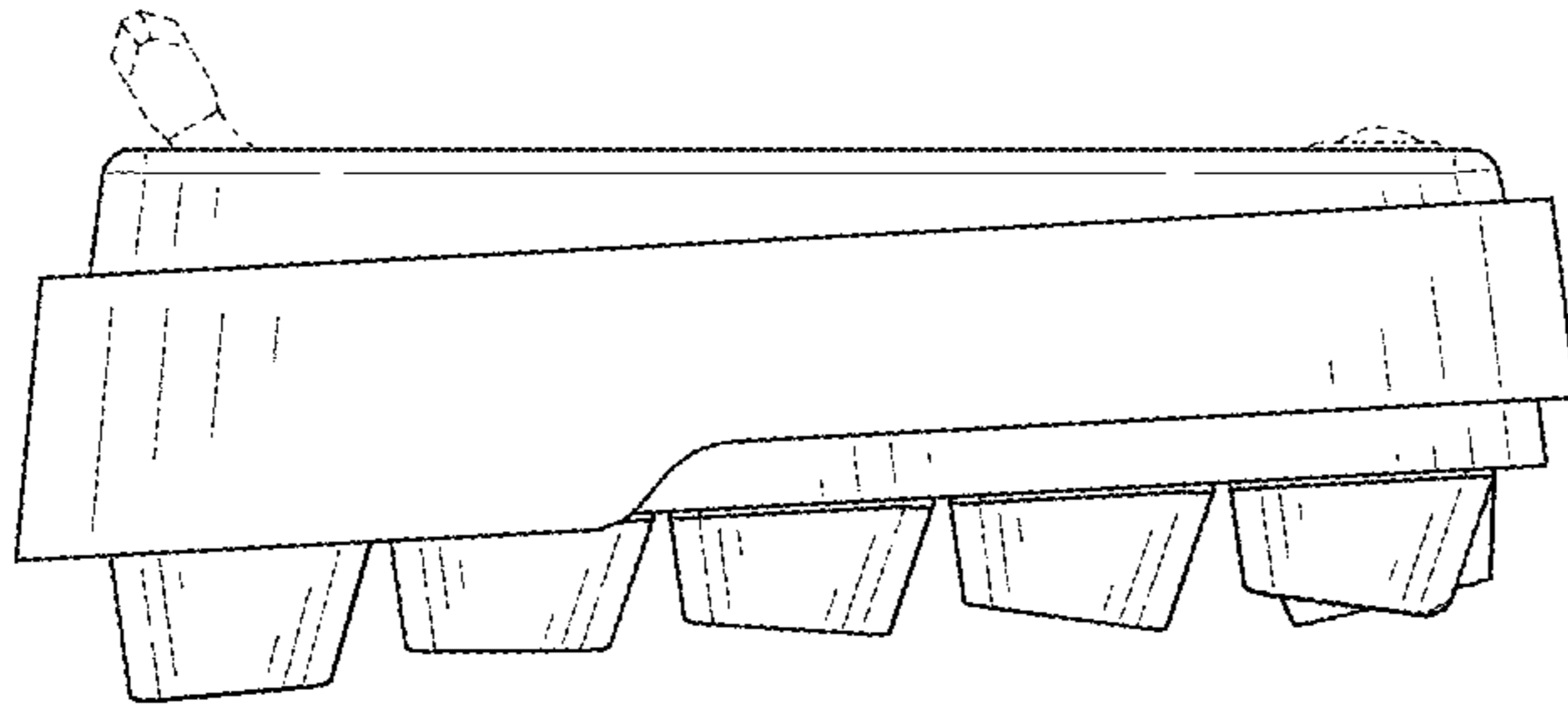


FIG. 6

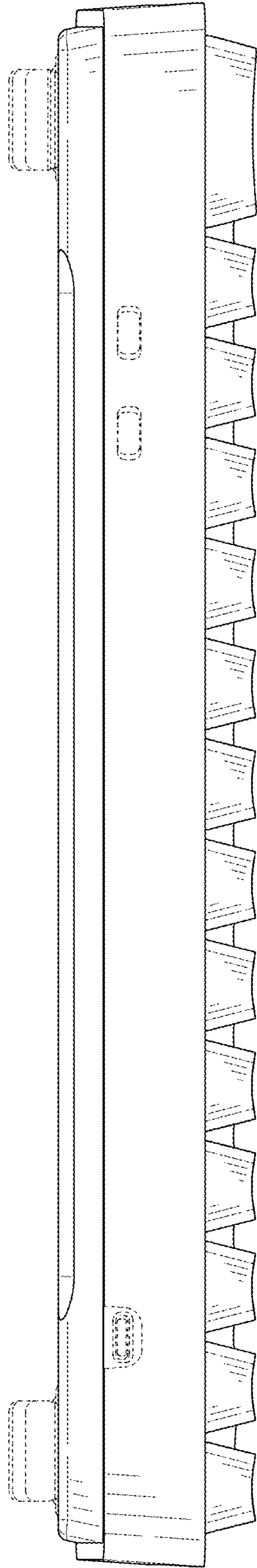


FIG. 7

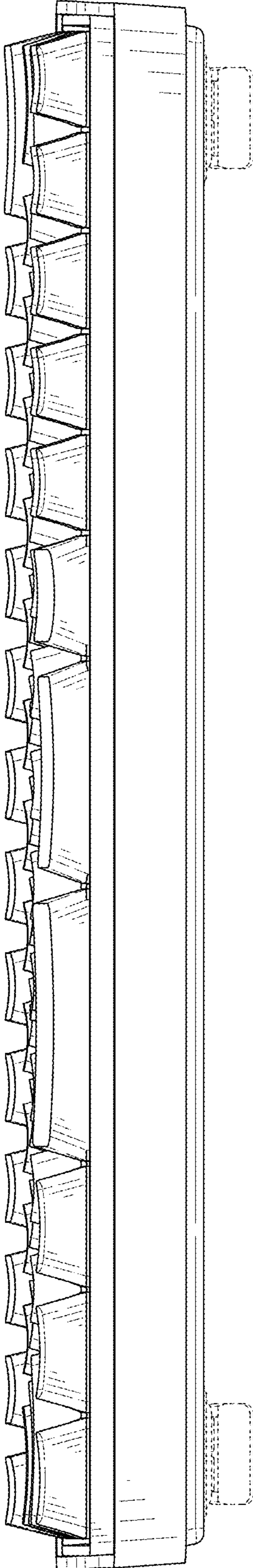


FIG. 8