



US00D911333S

(12) **United States Design Patent**
Löfberg et al.

(10) **Patent No.:** **US D911,333 S**
(45) **Date of Patent:** **** Feb. 23, 2021**

- (54) **ELECTRONIC TOUCH BOARD**
- (71) Applicant: **KONE Corporation**, Helsinki (FI)
- (72) Inventors: **Niklas Löfberg**, Helsinki (FI); **Visa Rauta**, Helsinki (FI); **Tomi Kapiainen**, Helsinki (FI); **Kim Heikkinen**, Helsinki (FI)
- (73) Assignee: **KONE Corporation**, Helsinki (FI)
- (**) Term: **15 Years**
- (21) Appl. No.: **29/685,880**
- (22) Filed: **Apr. 1, 2019**
- (30) **Foreign Application Priority Data**

- Oct. 12, 2018 (EM) 005797032
- (51) **LOC (13) Cl.** **14-02**
- (52) **U.S. Cl.**
USPC **D14/389**
- (58) **Field of Classification Search**
USPC D14/388, 389, 390, 318, 439, 443, 399,
D14/336, 341, 342, 346, 356, 130, 218,
D14/454, 455, 299, 371, 374, 378, 496,
D14/432, 434, 457, 458; D21/324, 329,
D21/333; D13/162, 164, 168;
D19/59-61, 113; D24/186; D10/46, 61,
D10/65, 70, 104.1, 106.9, 106.95, 108
CPC G06F 3/041; G06F 3/0412; G06F 3/0416;
G06F 3/03545; G06F 3/03547; G06F
1/1669; G06F 1/1643; G06F 1/166
See application file for complete search history.

- (56) **References Cited**
U.S. PATENT DOCUMENTS
D176,843 S * 2/1956 Dreyfuss D10/108
D303,788 S * 10/1989 Kondoh D14/390

- D304,338 S * 10/1989 Sermon D14/140.8
- D310,521 S * 9/1990 Leung D14/390
- D322,777 S * 12/1991 Nishio D14/314
- D324,210 S * 2/1992 Vossoughi D14/374
- D336,053 S * 6/1993 Hayes D10/106.1
- D338,015 S * 8/1993 Mohri D14/390
- D359,952 S * 7/1995 Cox D18/4.5
- D360,196 S * 7/1995 Cox D18/4.5
- D373,576 S * 9/1996 Liggett D14/341
- D398,292 S * 9/1998 Matsumoto D14/389
- D404,381 S * 1/1999 Roderman D14/375
- D428,863 S * 8/2000 Rahemtulla D14/337
- D458,255 S * 6/2002 Hsu D14/373
- D505,428 S * 5/2005 Yagihashi D14/496
- D507,592 S * 7/2005 Mizusugi D18/4.1
- D517,068 S * 3/2006 Sakamoto D14/390
- D517,552 S * 3/2006 Sakamoto D14/390
- D524,312 S * 7/2006 Young D14/375
- D578,029 S * 10/2008 Plewa D10/106.95
- D578,131 S * 10/2008 Horito D14/450

(Continued)

Primary Examiner — Marie D. Fast Horse
(74) *Attorney, Agent, or Firm* — Leason Ellis LLP

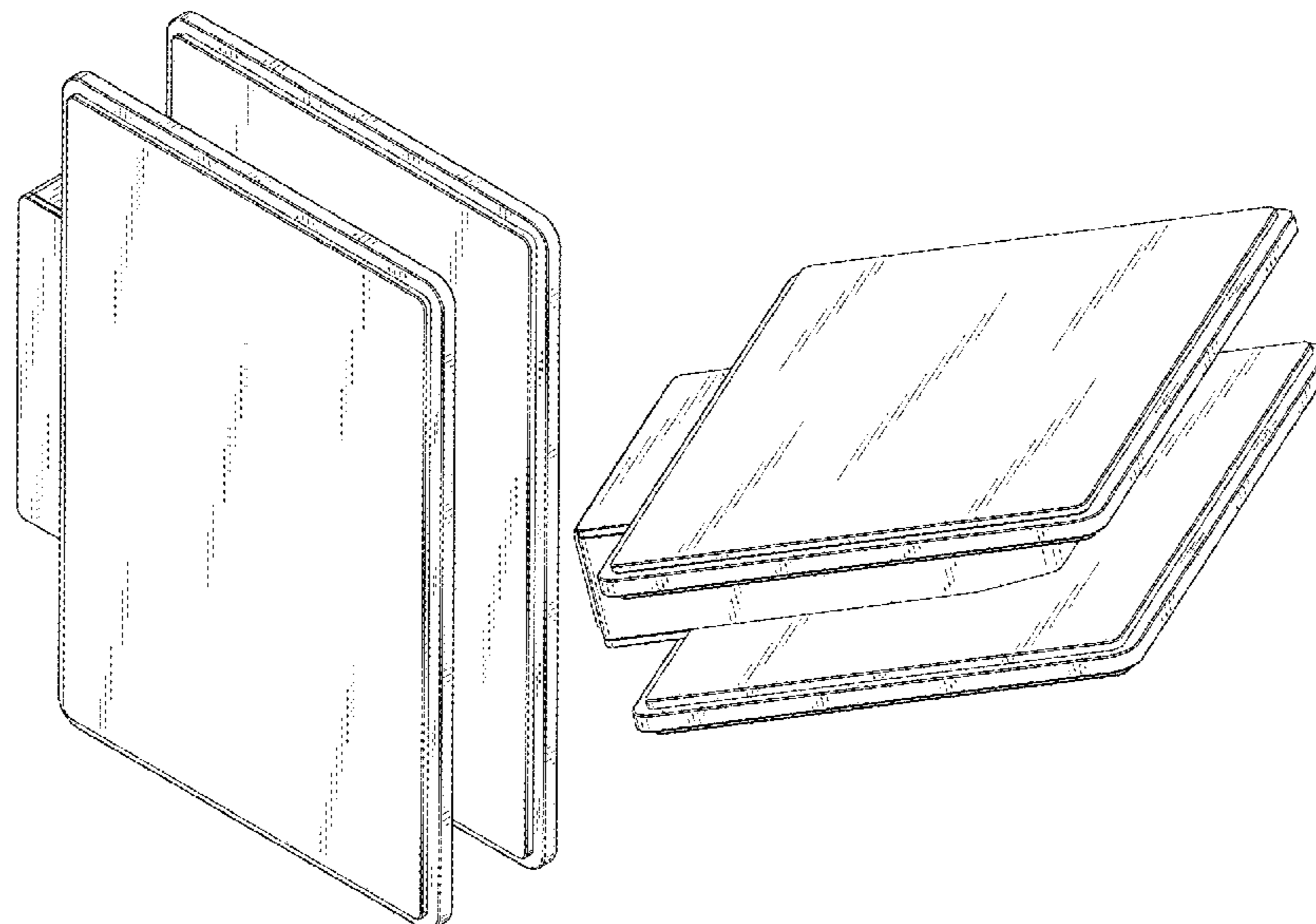
(57) **CLAIM**

The ornamental design for an electronic touch board, as shown and described.

DESCRIPTION

FIG. 1 is a perspective view of an electronic touch board according to our new design;
FIG. 2 is another perspective view thereof;
FIG. 3 is a right, side view thereof;
FIG. 4 is a left, side view thereof;
FIG. 5 is a front view thereof;
FIG. 6 is a rear view thereof;
FIG. 7 is a top plan view thereof; and,
FIG. 8 is a bottom plan view thereof.
The broken-line showing of a portion of a device is included for the purpose of illustrating environmental structure and form no part of the claimed design.

1 Claim, 8 Drawing Sheets



(56)

References Cited

U.S. PATENT DOCUMENTS

D587,296 S *	2/2009	Kuramochi	D18/4.5
D608,785 S *	1/2010	Hsu	D14/443
D643,825 S *	8/2011	Hwang	D14/130
D660,736 S *	5/2012	Lee	D10/108
D665,687 S *	8/2012	Lee	D10/108
D732,109 S *	6/2015	Chung	D18/50
D735,684 S *	8/2015	Zealer	D14/125
D760,611 S *	7/2016	Saari	D10/108
D778,982 S *	2/2017	Beatty	D18/4.5
D812,579 S *	3/2018	Einaudi	D14/125
D814,559 S *	4/2018	Oross	D18/4.4
D816,081 S *	4/2018	Rosenberg	D14/390
D838,618 S *	1/2019	Nagaki	D10/104.1
D873,819 S *	1/2020	Harsacky	D14/348

* cited by examiner

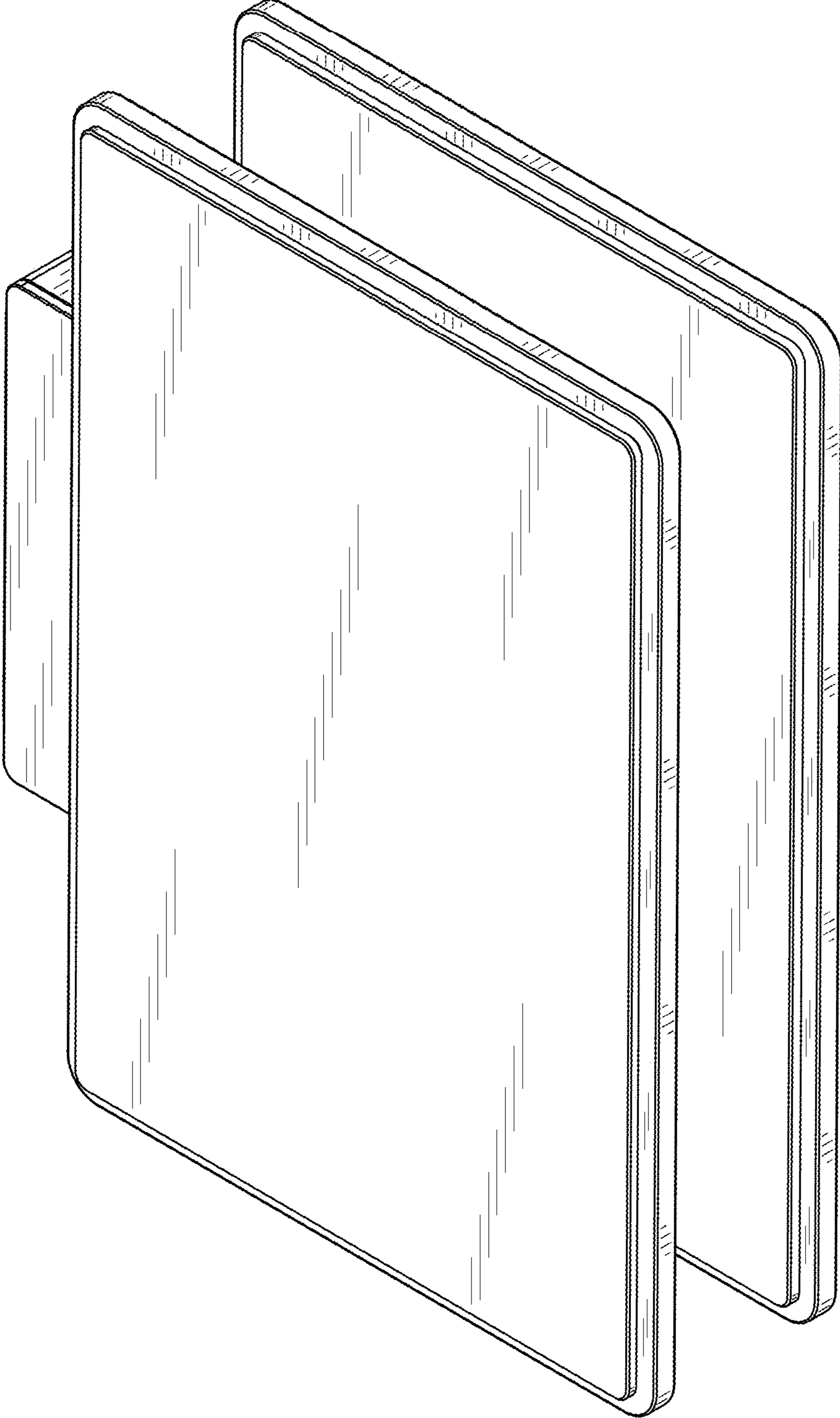


Fig. 1

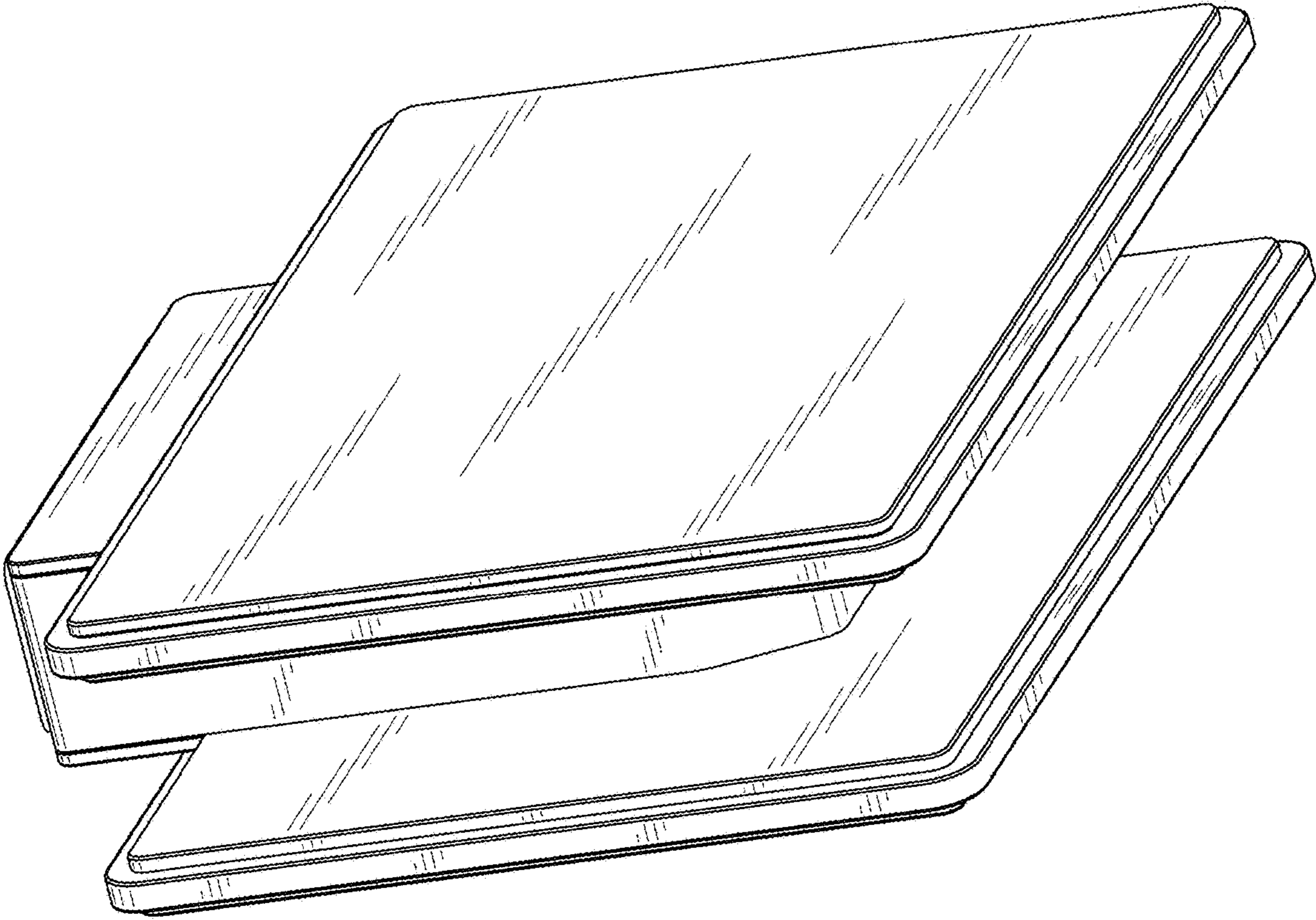


Fig. 2

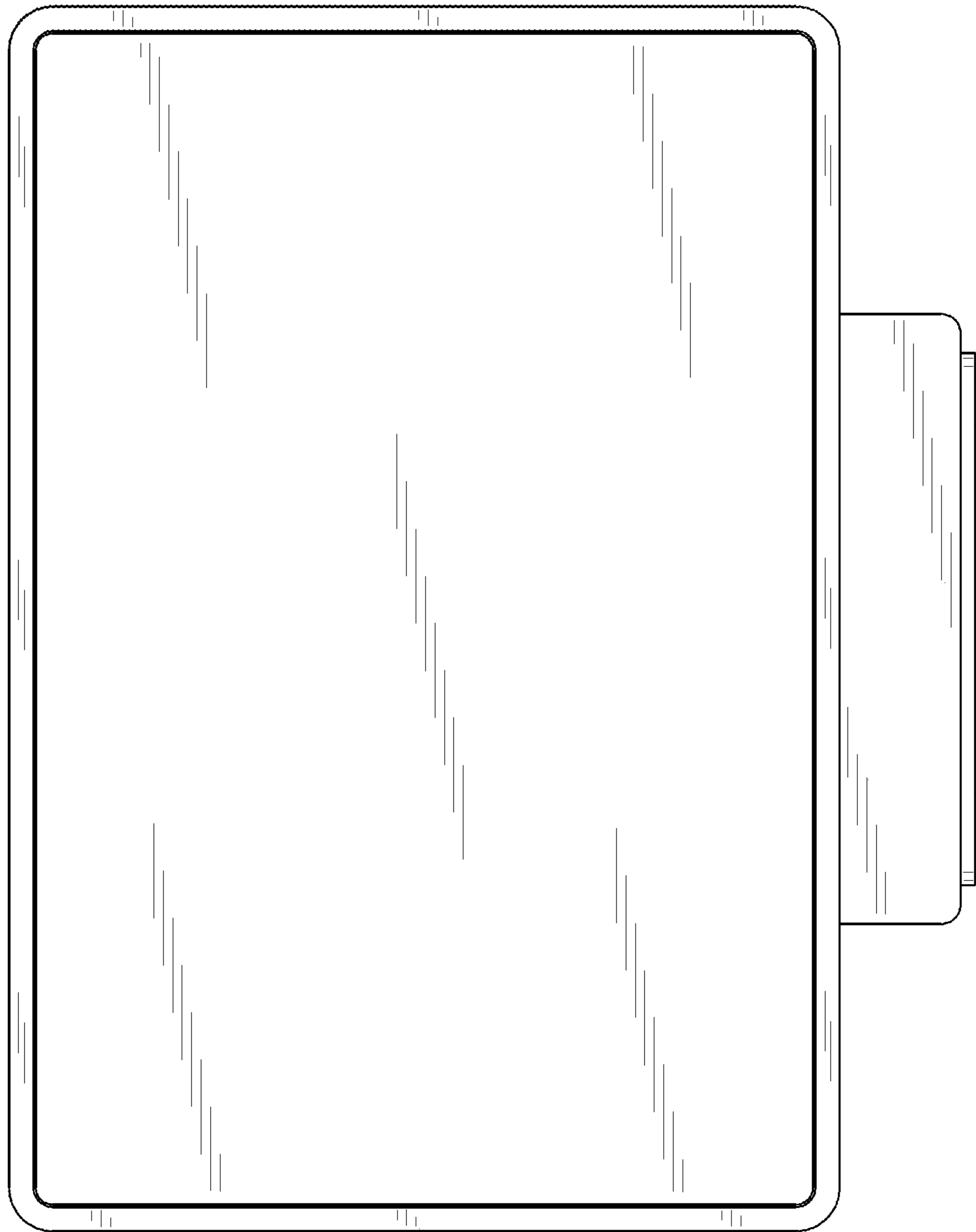


Fig. 3

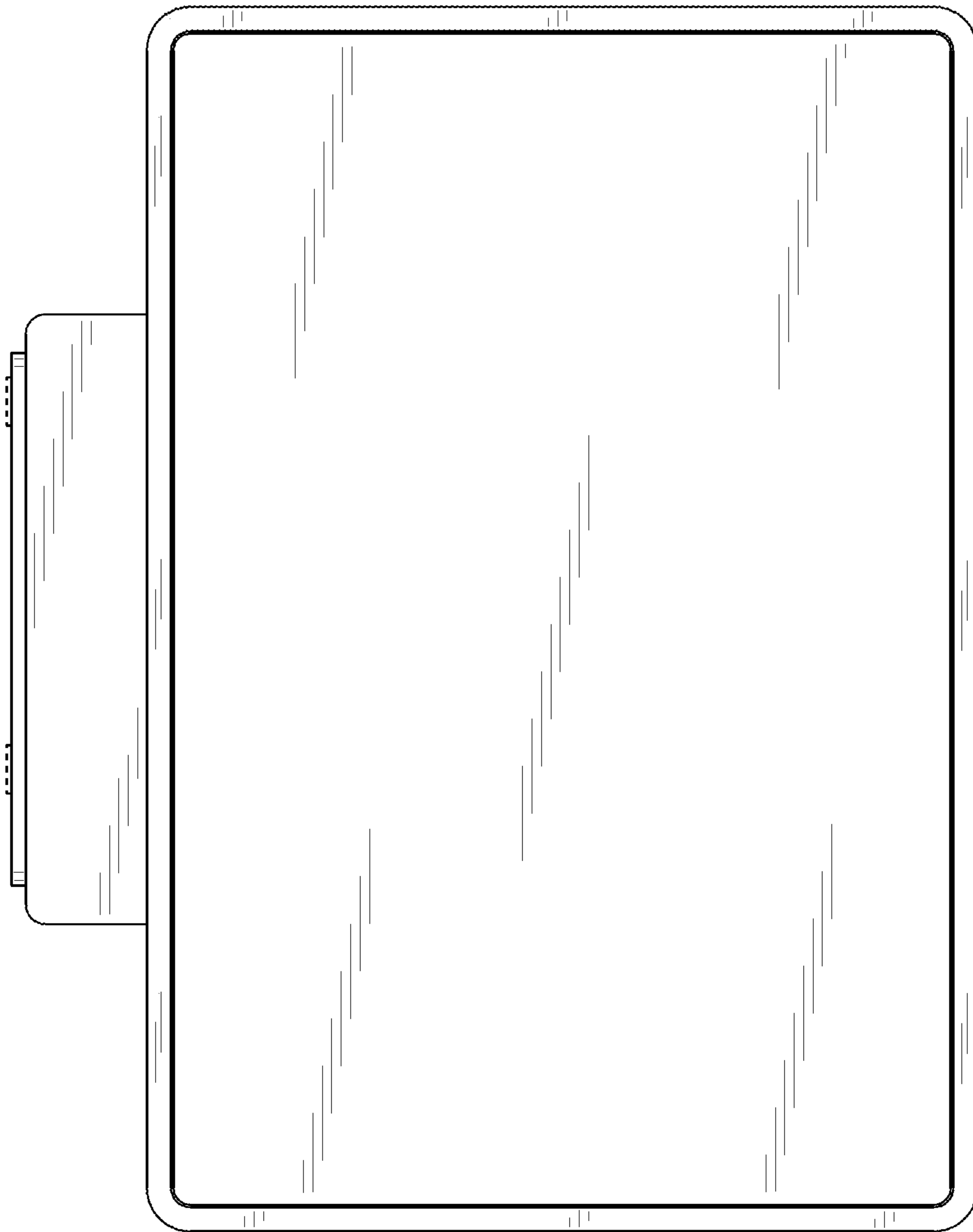


Fig. 4

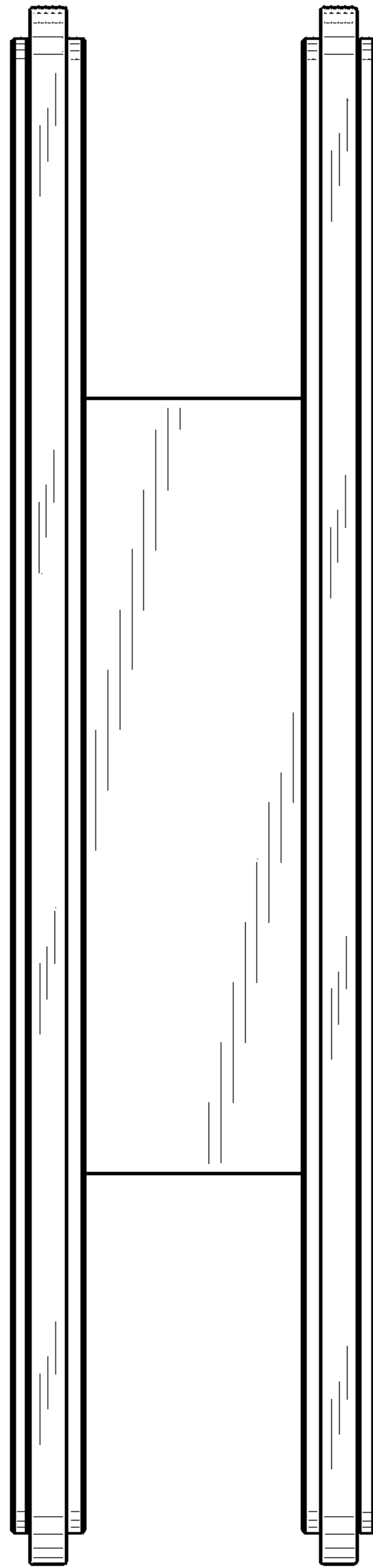


Fig. 5

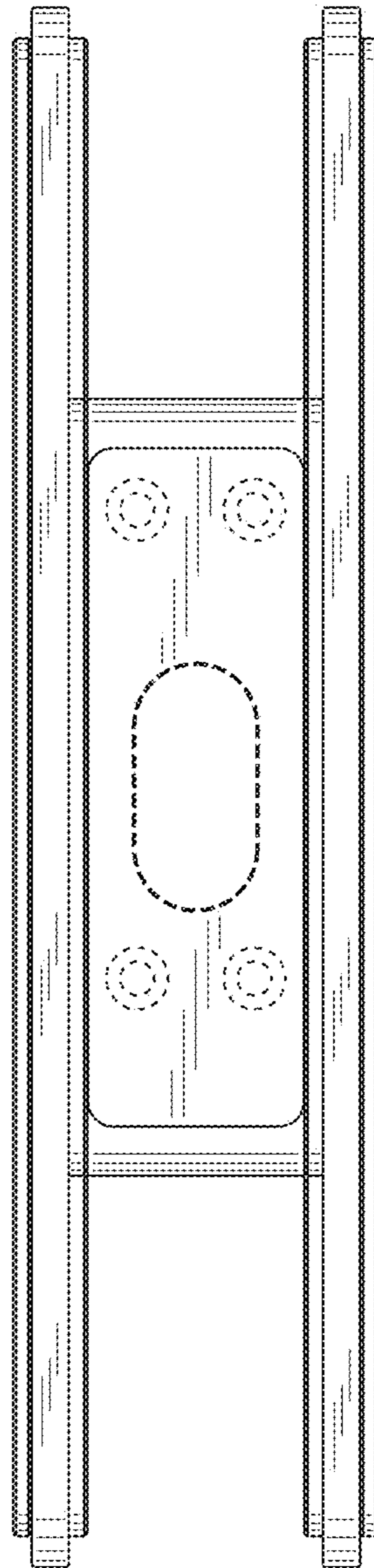


Fig. 6

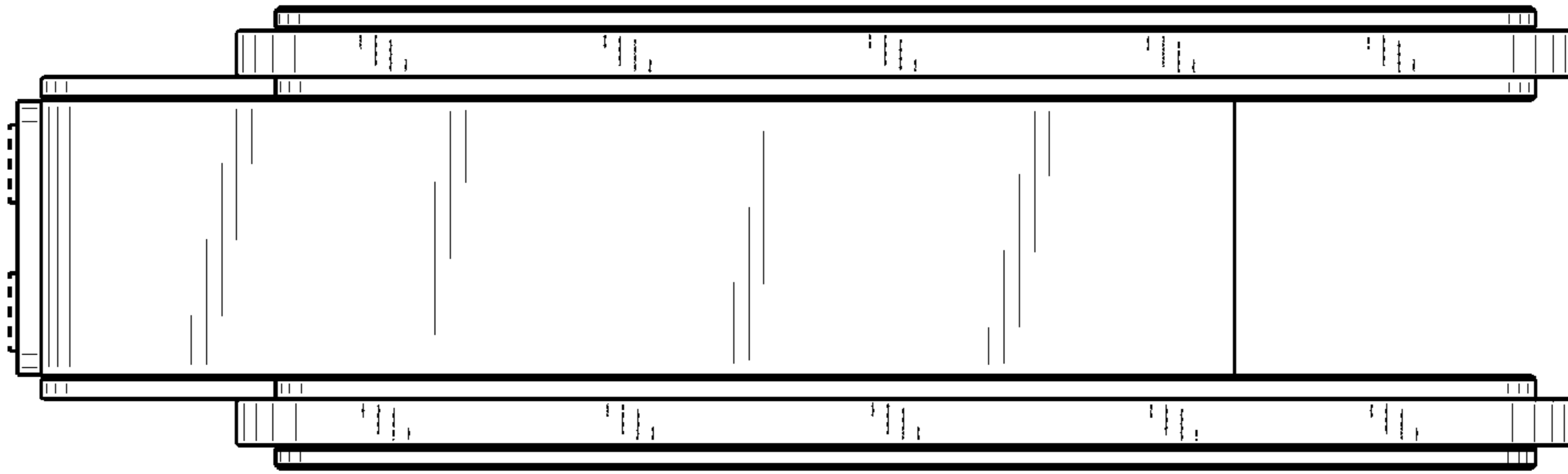


Fig. 7

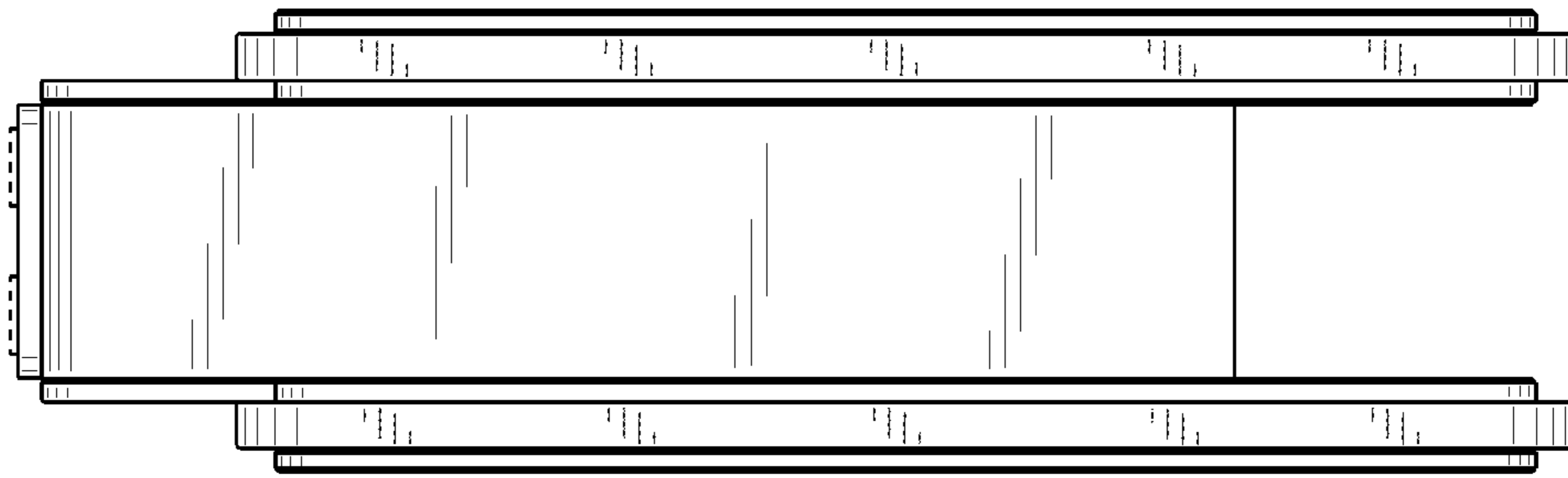


Fig. 8