



US00D911332S

(12) **United States Design Patent**
Zhong

(10) **Patent No.:** **US D911,332 S**

(45) **Date of Patent:** **** Feb. 23, 2021**

(54) **MAGNETIC STRIPE READER**

(71) Applicant: **Getac Technology Corporation,**
Hsinchu County (TW)

(72) Inventor: **Shi-Liang Zhong,** Taipei (TW)

(73) Assignee: **GETAC TECHNOLOGY**
CORPORATION, Hsinchu County
(TW)

(**) Term: **15 Years**

(21) Appl. No.: **29/686,057**

(22) Filed: **Apr. 2, 2019**

(51) **LOC (13) Cl.** **14-02**

(52) **U.S. Cl.**
USPC **D14/385**

(58) **Field of Classification Search**
USPC D14/356-358, 383-385, 420, 426, 427,
D14/432-439, 447, 453, 454, 217, 253,
D14/299; D13/107, 108, 133, 146, 147,
D13/152, 154, 156, 158, 162, 162.1, 168,
D13/173, 177, 102; 235/441, 451, 492,
235/380, 439, 375; 361/679.31, 600,
361/679.01, 679.02
CPC G06Q 20/347; G06Q 20/322; G06Q 40/02;
G06Q 30/06; G07F 7/0886
See application file for complete search history.

(56) **References Cited**

U.S. PATENT DOCUMENTS

D558,765 S	*	1/2008	Fitler	D14/385
D590,828 S	*	4/2009	Sherrod	D14/385
D607,000 S	*	12/2009	Cheng	D14/385
D710,358 S	*	8/2014	Park	D14/385
D762,214 S	*	7/2016	Nguyen	D14/385
D768,630 S	*	10/2016	Austin	D14/385
D771,044 S	*	11/2016	Nguyen	D14/385

D814,467 S	*	4/2018	Long	D14/385
D815,093 S	*	4/2018	Long	D14/385
D893,494 S	*	8/2020	Zhong	D14/439
D900,825 S	*	11/2020	Zhong	D14/434

* cited by examiner

Primary Examiner — Austin Murphy

(74) *Attorney, Agent, or Firm* — Locke Lord LLP; Tim
Tingkang Xia, Esq.

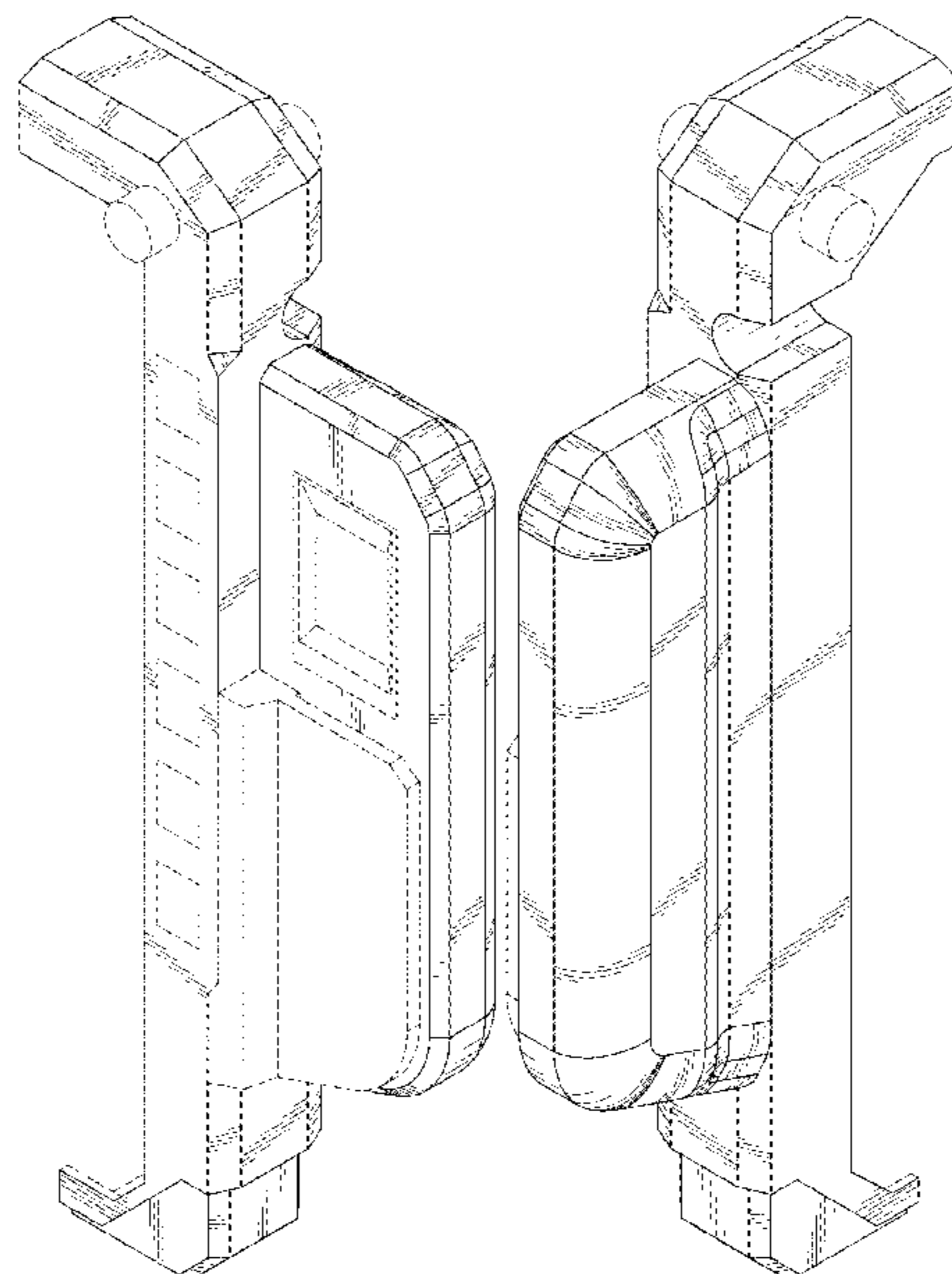
(57) **CLAIM**

The ornamental design for a “magnetic stripe reader”, as
shown and described.

DESCRIPTION

FIG. 1 is a top, front and right side perspective view of a
magnetic stripe reader showing my new design;
FIG. 2 is a top, front and left side perspective view thereof;
FIG. 3 is a bottom, front and right side perspective view
thereof;
FIG. 4 is a bottom, front and left side perspective view
thereof;
FIG. 5 is a top, rear and right side perspective view thereof;
FIG. 6 is a top, rear and left side perspective view thereof;
FIG. 7 is a bottom, rear and right side perspective view
thereof;
FIG. 8 is a bottom, rear and left side perspective view
thereof;
FIG. 9 is a front view thereof;
FIG. 10 is a rear view thereof;
FIG. 11 is a left side view thereof;
FIG. 12 is a right side view thereof;
FIG. 13 is a top view thereof; and,
FIG. 14 is a bottom view thereof.
The dashed broken lines illustrate environmental structure
and form no part of the claimed design.

1 Claim, 14 Drawing Sheets



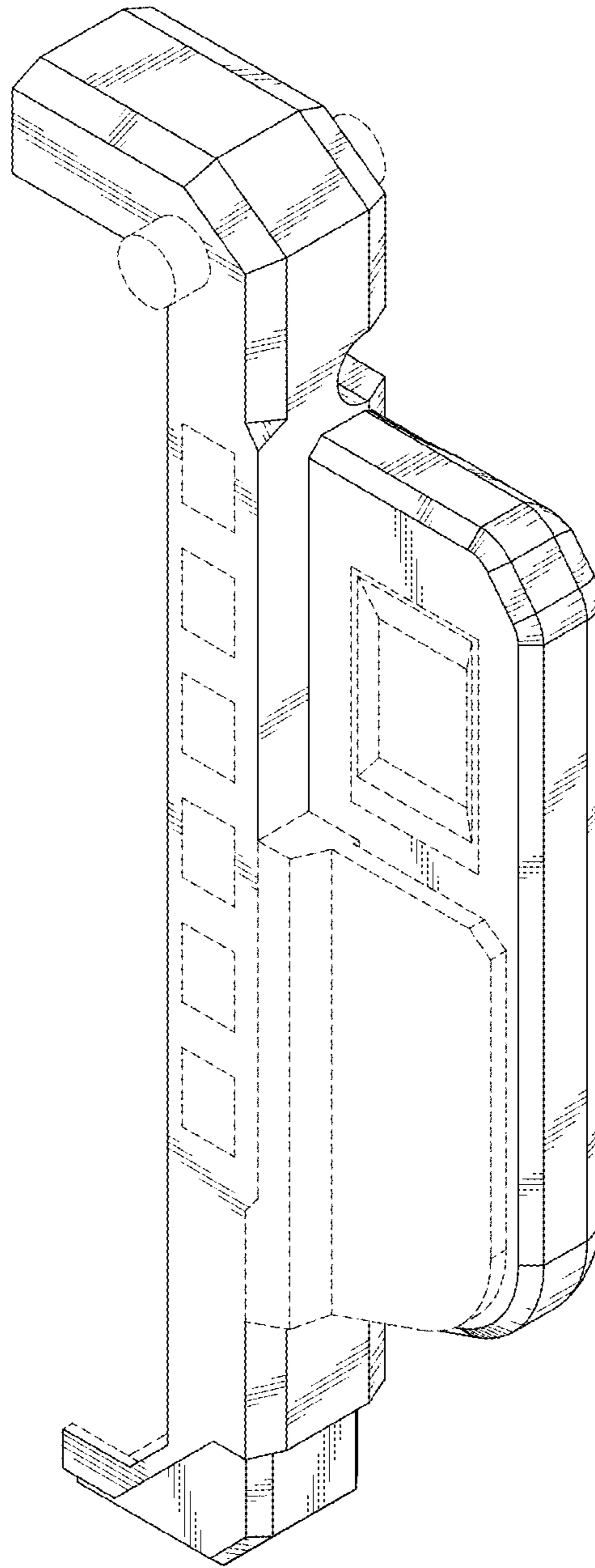


FIG. 1

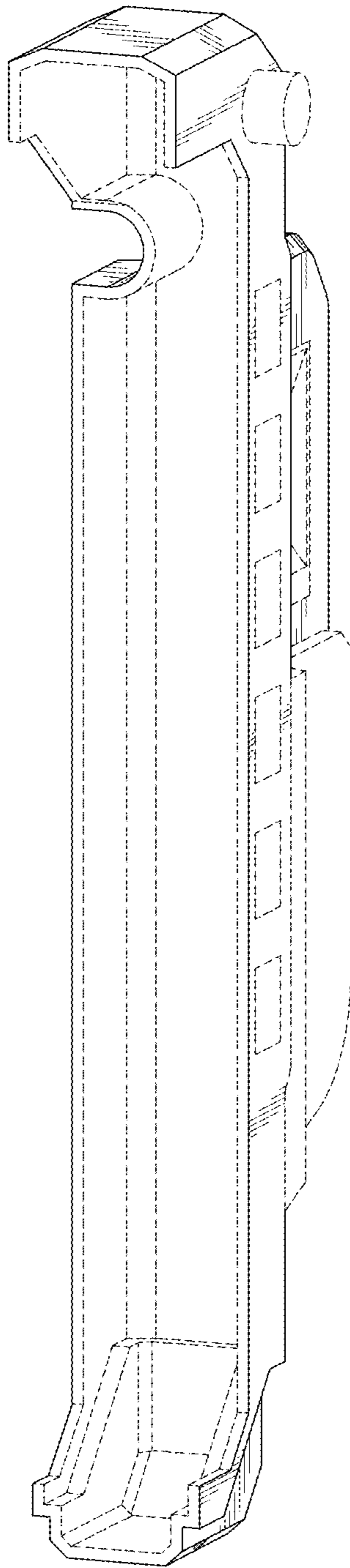


FIG. 2

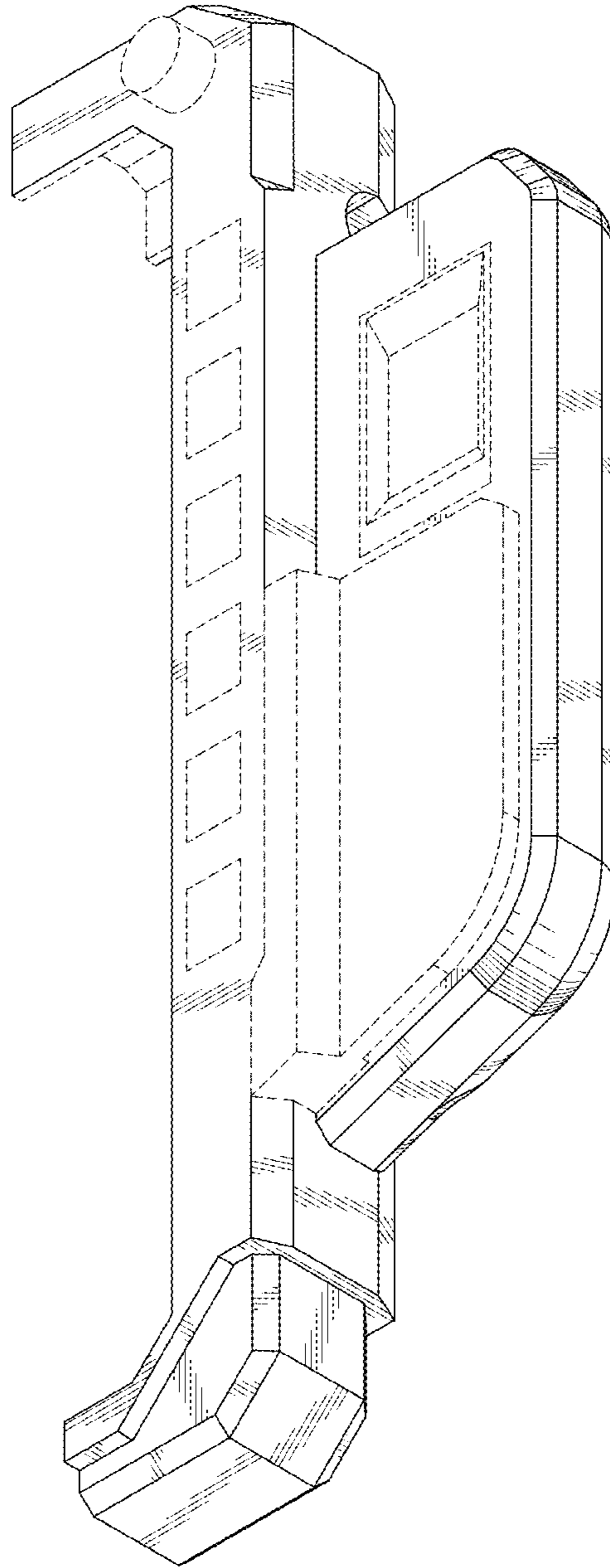


FIG. 3

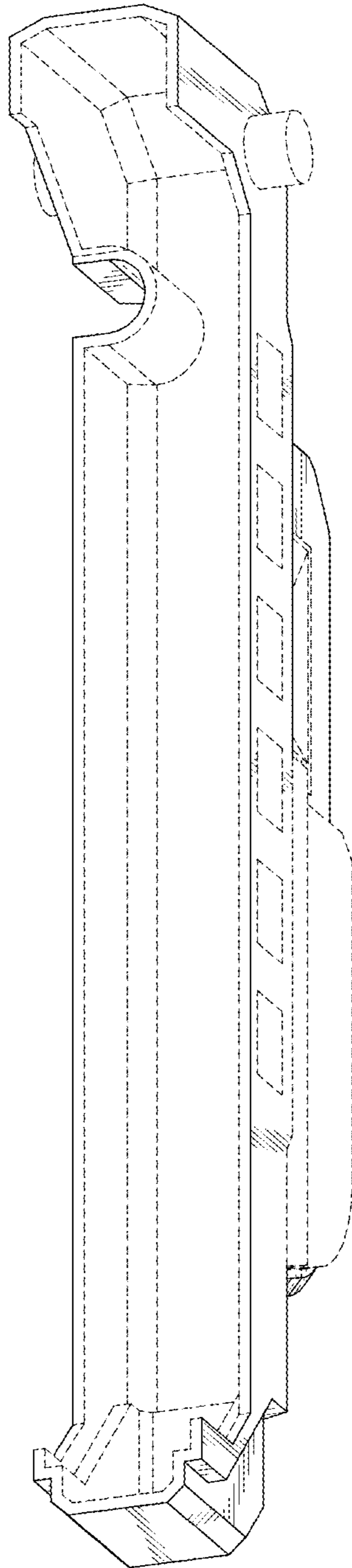


FIG. 4

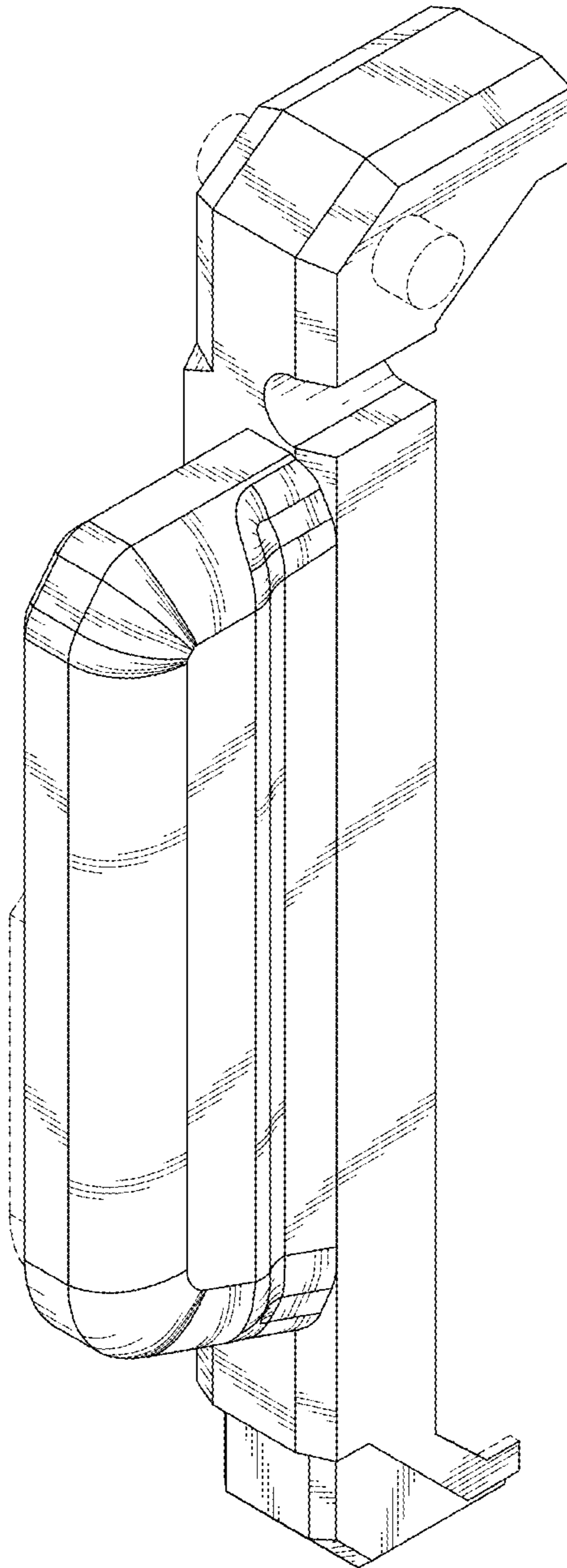


FIG. 5

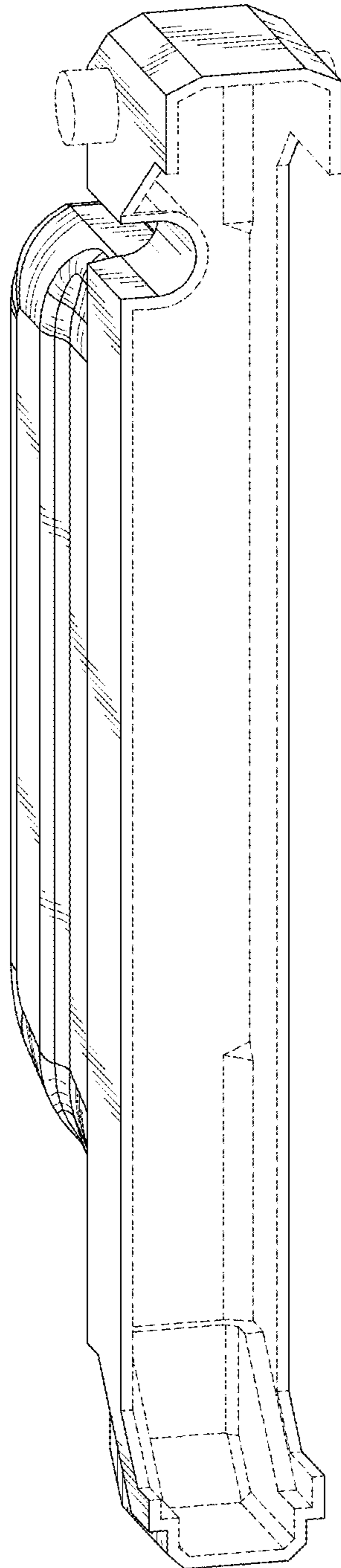


FIG. 6

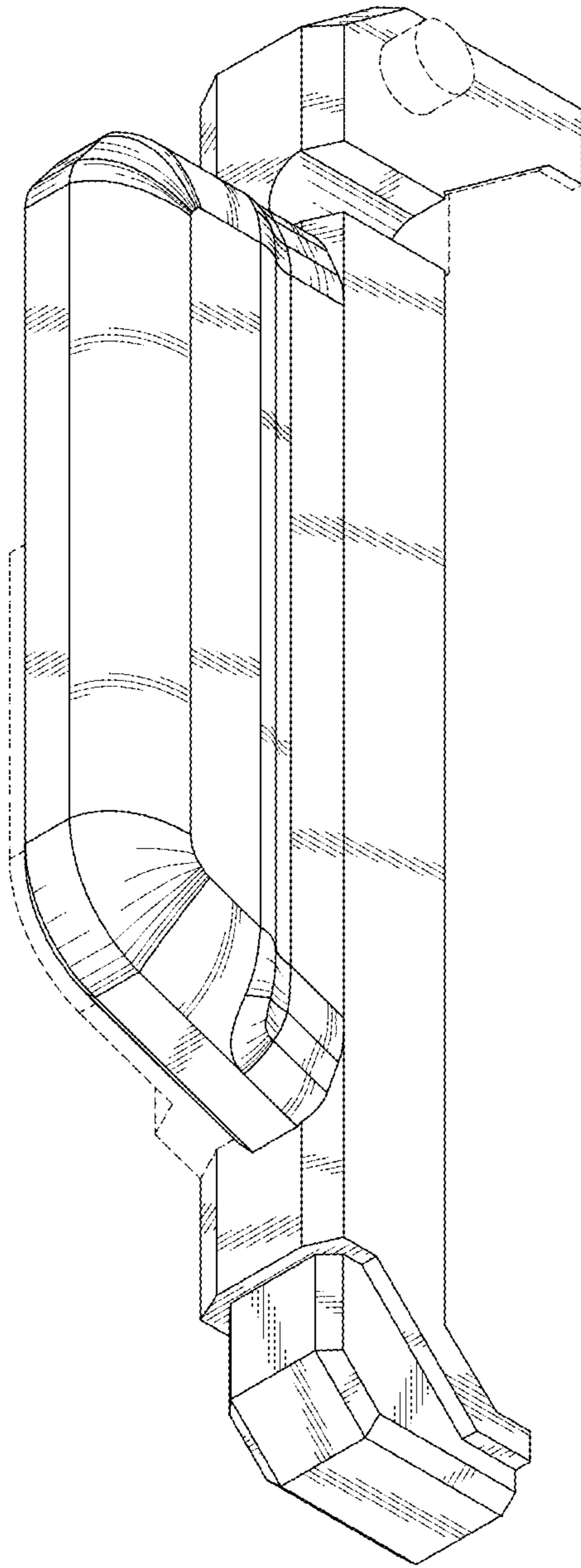


FIG. 7

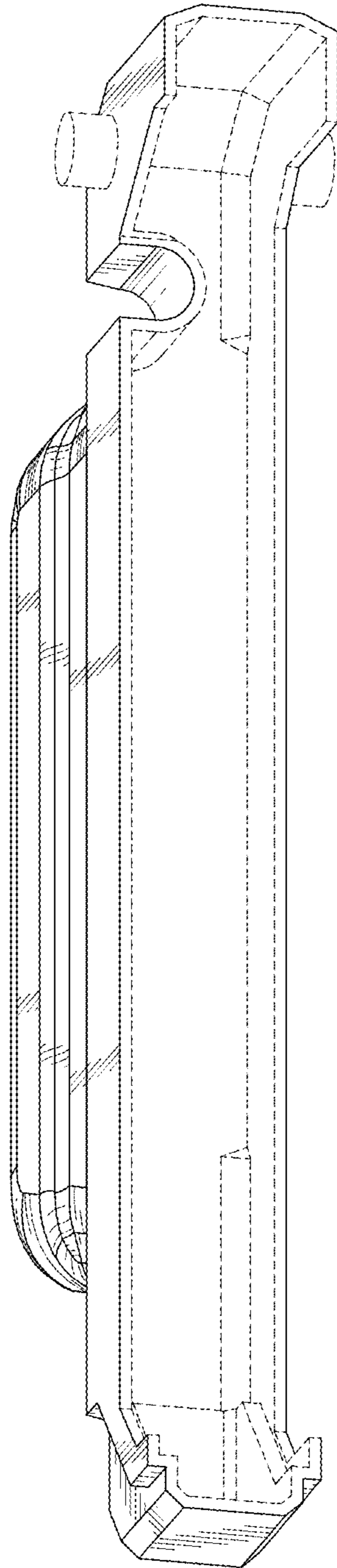


FIG. 8

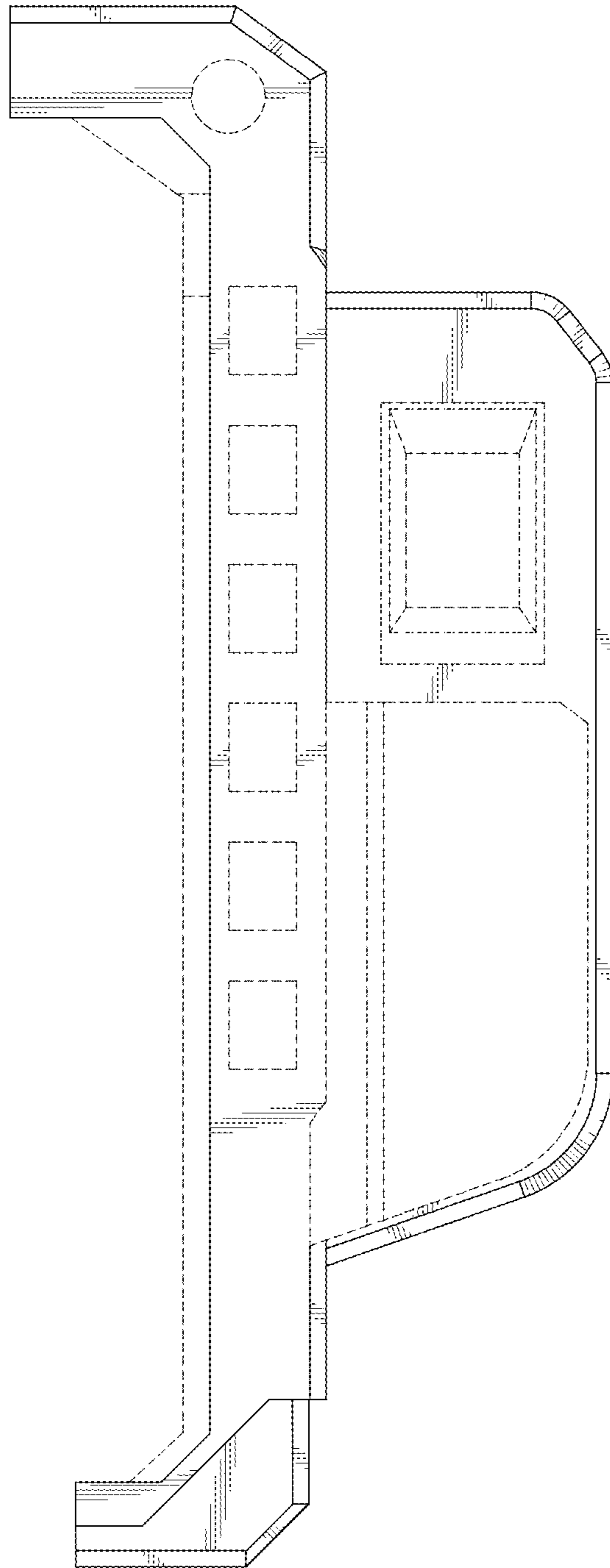


FIG. 9

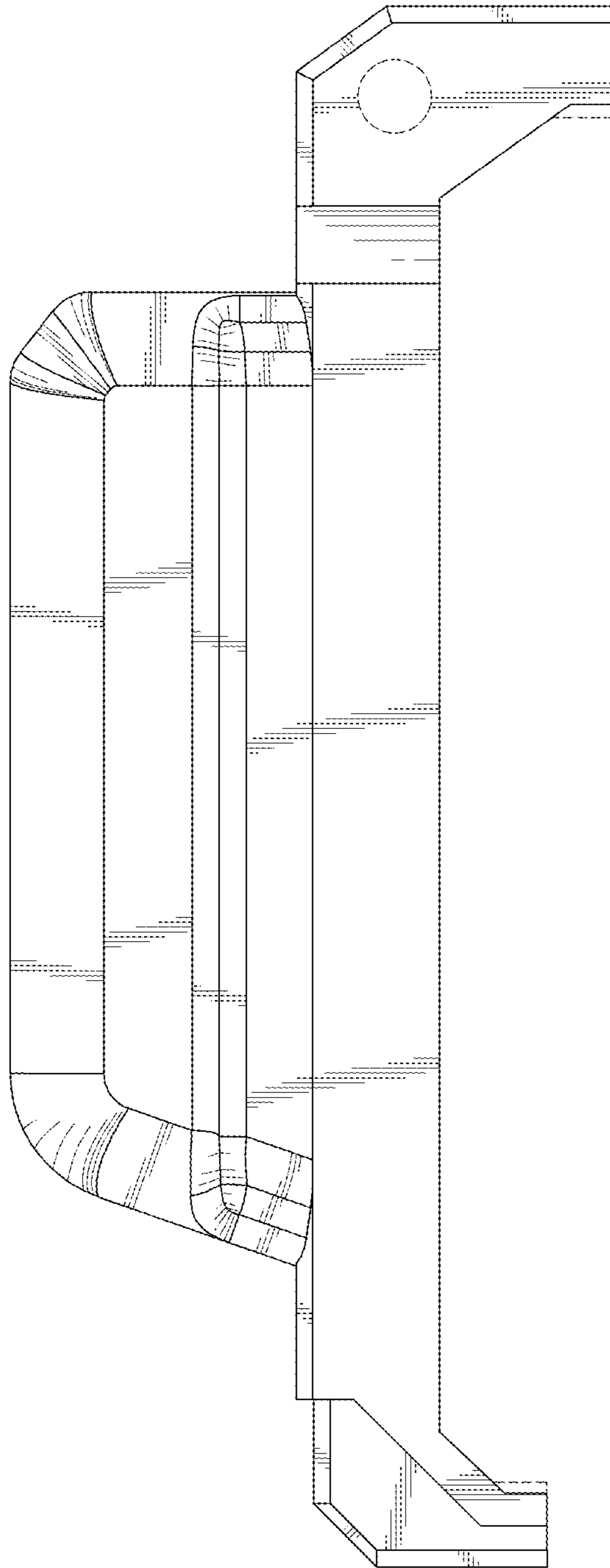


FIG. 10

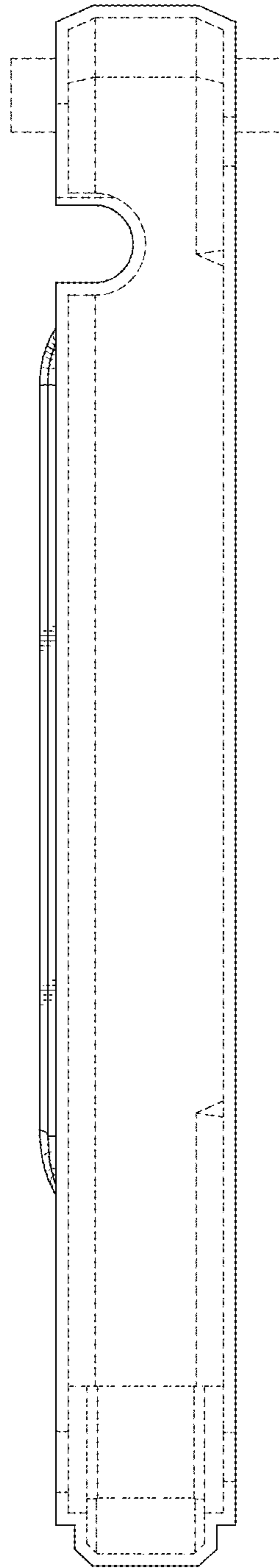


FIG. 11

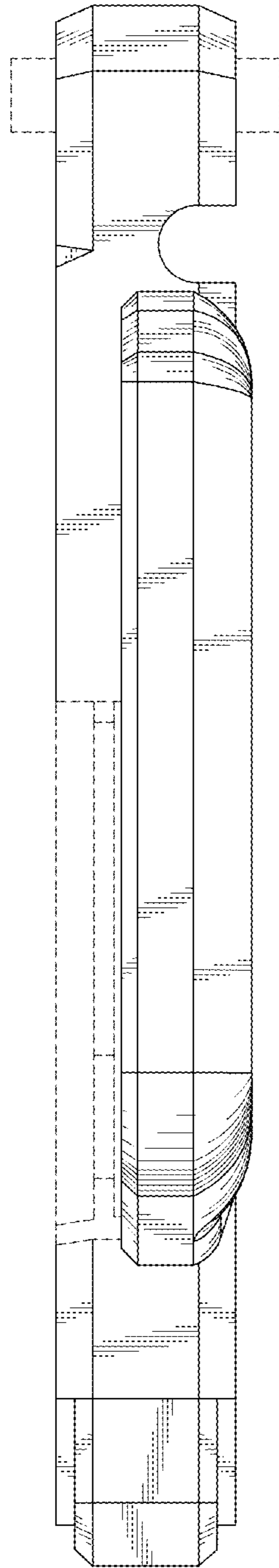


FIG. 12

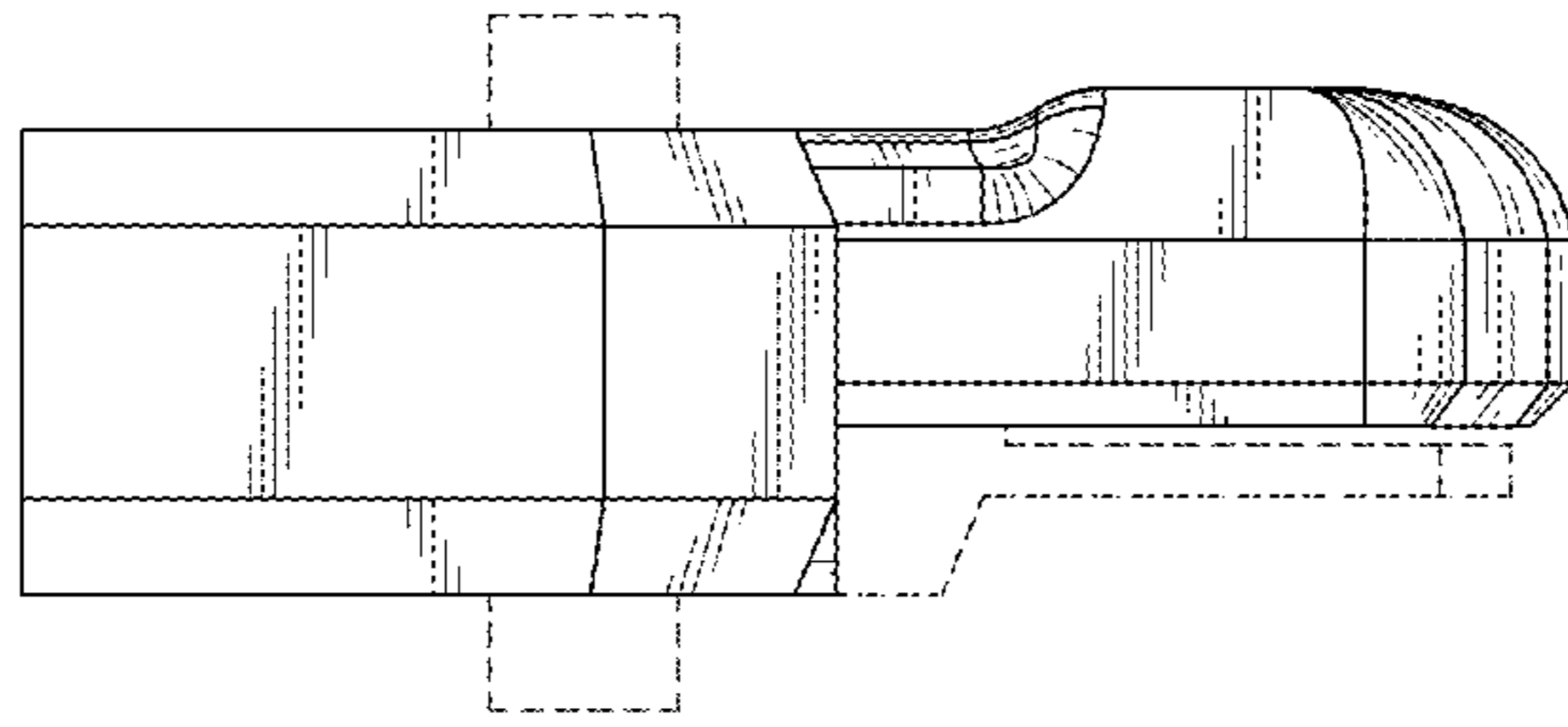


FIG. 13

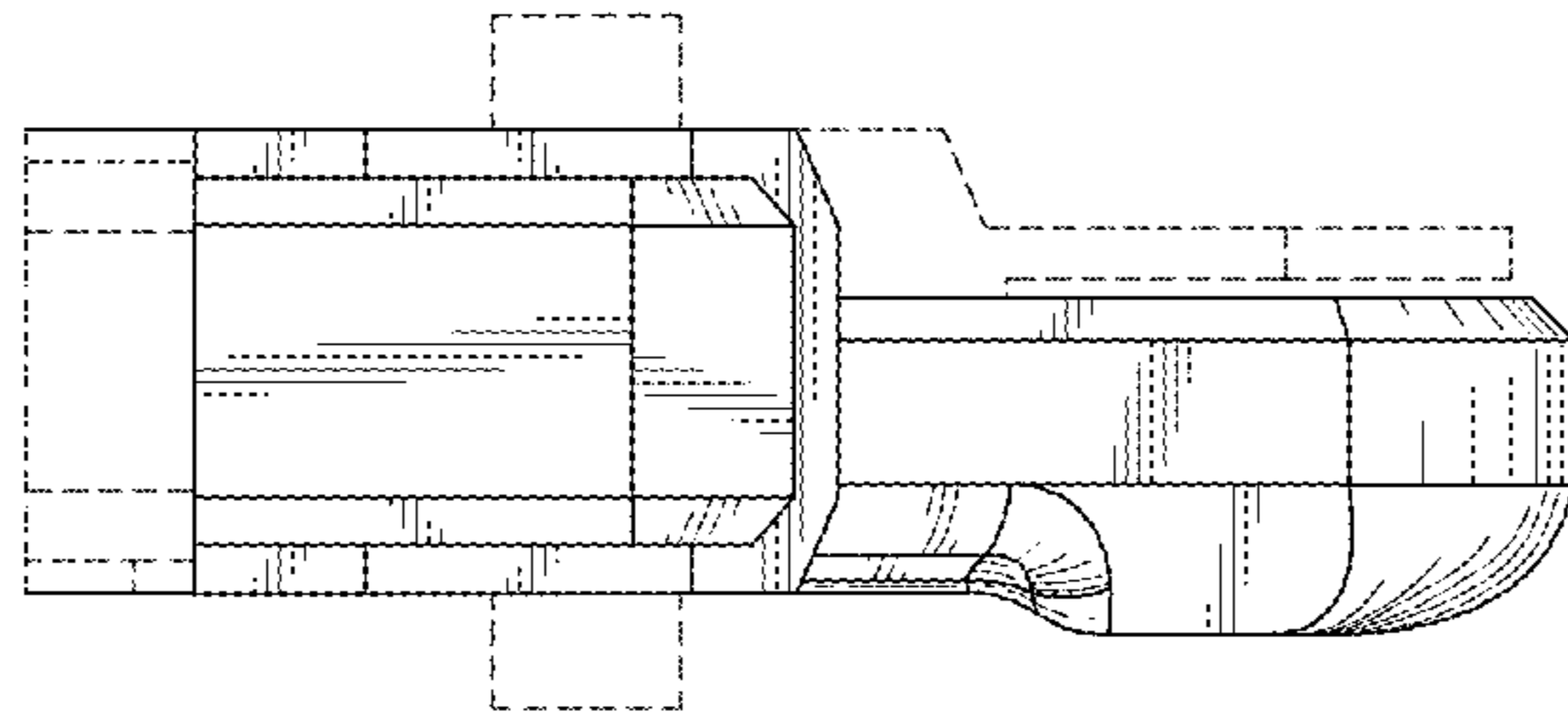


FIG. 14