



US00D911328S

(12) **United States Design Patent**
Zheng

(10) **Patent No.:** **US D911,328 S**
(45) **Date of Patent:** **** Feb. 23, 2021**

(54) **DISPLAY DEVICE**

(71) Applicant: **SHENZHEN ROYOLE TECHNOLOGIES CO. LTD.,**
Shenzhen (CN)

(72) Inventor: **Yiyue Zheng,** Shenzhen (CN)

(73) Assignee: **SHENZHEN ROYOLE TECHNOLOGIES CO. LTD.,**
Shenzhen (CN)

(**) Term: **15 Years**

(21) Appl. No.: **29/690,829**

(22) Filed: **May 10, 2019**

(30) **Foreign Application Priority Data**

Nov. 30, 2018 (CN) 201830689176.1

(51) **LOC (13) Cl.** **14-02**

(52) **U.S. Cl.**
USPC **D14/307; D6/681.1**

(58) **Field of Classification Search**
USPC D11/40, 46, 48, 49, 51, 52, 61, 116, 133,
D11/165, 166, 181, 182, 229; D14/307,
D14/489, 495; D18/24, 27, 32, 33;
D20/10, 11, 12, 15, 16, 17, 19, 20, 23,
D20/37, 40, 41, 42, 99; D6/681, 681.1,
D6/681.2, 681.3

CPC ... G09F 7/00; G09F 7/002; G09F 7/02; G09F
7/04; G09F 7/06; G09F 7/08; G09F 7/12;
G09F 7/14; G09F 7/16; G09F 2007/1843;
G09F 2007/1873; G09F 9/30; G09F
13/00; G09F 13/16

See application file for complete search history.

(56) **References Cited**

U.S. PATENT DOCUMENTS

641,522 A * 1/1900 Leger G09F 3/20
40/651
D342,549 S * 12/1993 Hofman D20/41

D478,343 S * 8/2003 Heid D17/99
D535,109 S * 1/2007 Palmer D6/312
D598,217 S * 8/2009 Bode D6/681.2
D601,817 S * 10/2009 Barbieri D6/327
D635,800 S * 4/2011 Rodgers D6/681.2
D639,088 S * 6/2011 Rodgers D20/10
D661,498 S * 6/2012 Wang G09F 7/20
D677,075 S * 3/2013 Rodgers D6/672
D715,985 S * 10/2014 Anastassiades D26/88
D724,251 S * 3/2015 Anastassiades D26/93
D778,768 S * 2/2017 Curry D11/93

(Continued)

OTHER PUBLICATIONS

MFG, posted at Media.digikey.com, posted on Nov. 3, 2013, site visited Oct. 9, 2020. online, available from internet: https://media.digikey.com/Photos/Newhaven%20Display%20Photos/MFG_TS-TFT3.5Z_tmb.jpg (Year: 2013).*

(Continued)

Primary Examiner — Michael C Stout
Assistant Examiner — Catherine Ho
(74) *Attorney, Agent, or Firm* — Hauptman Ham, LLP

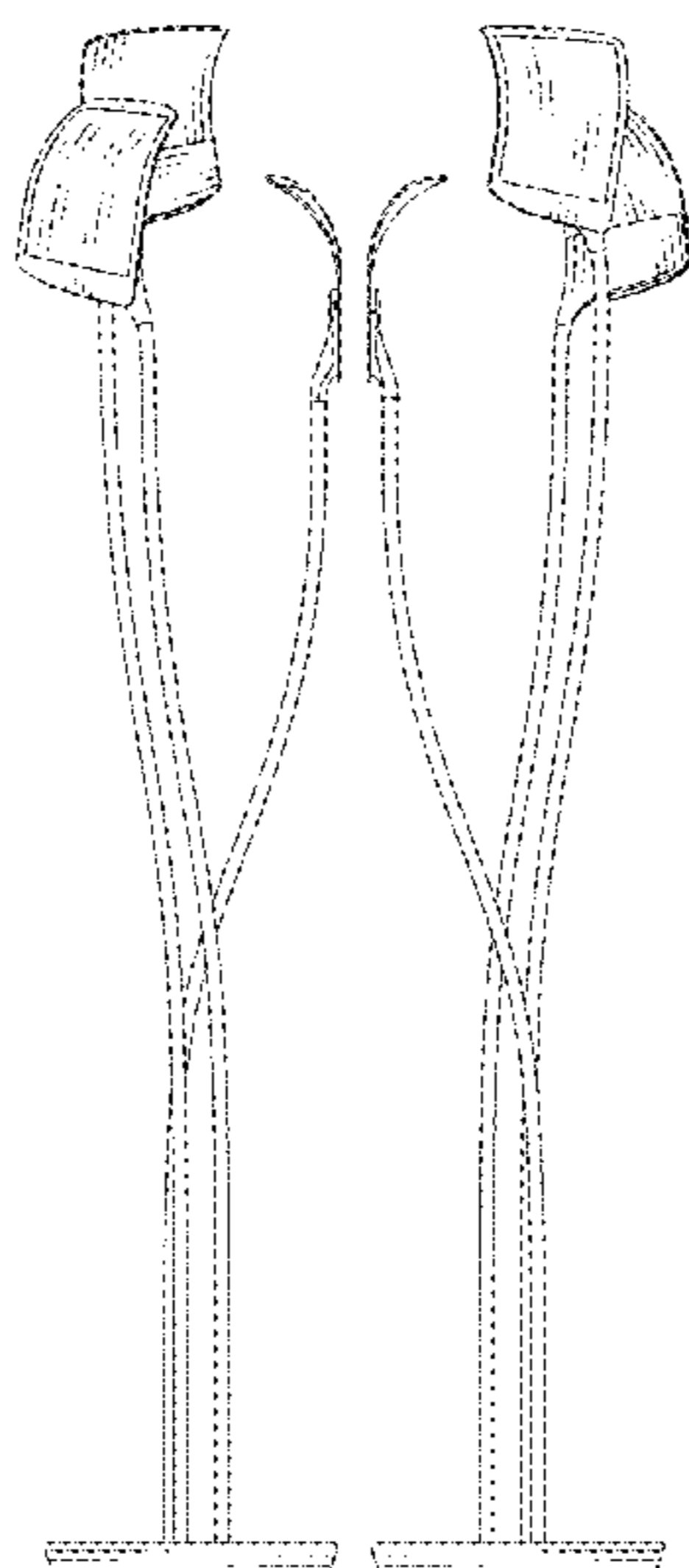
(57) **CLAIM**

The ornamental design for a display device, as shown and described.

DESCRIPTION

FIG. 1 is a front view of a display device, showing my new design;
FIG. 2 is a rear view thereof;
FIG. 3 is a left side view thereof;
FIG. 4 is a right side view thereof;
FIG. 5 is a bottom side view thereof;
FIG. 6 is a top side view thereof; and,
FIG. 7 is a perspective view thereof.

1 Claim, 4 Drawing Sheets



(56)

References Cited

U.S. PATENT DOCUMENTS

D787,866 S * 5/2017 Baraldi D6/681.3
D789,121 S * 6/2017 Laskowitz D6/681.1
D804,865 S * 12/2017 Laskowitz D6/681.1
D807,350 S * 1/2018 Inagaki D14/344
D815,476 S * 4/2018 Procter D6/700
D815,611 S * 4/2018 Shin D14/129
9,954,985 B2 * 4/2018 Xu H04M 1/0216
D854,863 S * 7/2019 Majer D6/681.1
10,444,798 B2 * 10/2019 Choi G06F 3/0445
10,534,534 B2 * 1/2020 Cheong G06F 3/0488
2010/0300900 A1 * 12/2010 Quan A45C 11/16
206/6.1
2012/0300451 A1 * 11/2012 Jin F21V 23/06
362/231

OTHER PUBLICATIONS

Royole, posted at Youtube.com, posted on Sep. 9, 2018, site visited
Oct. 9, 2020. online, available from internet: <https://www.youtube.com/watch?v=CTNvC7U736Y> (Year: 2018).*

* cited by examiner

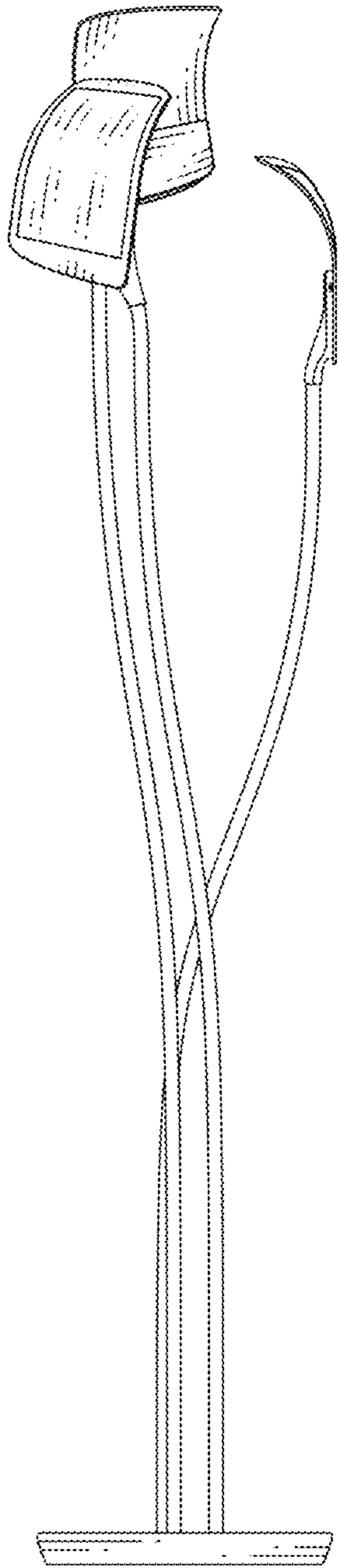


FIG. 1

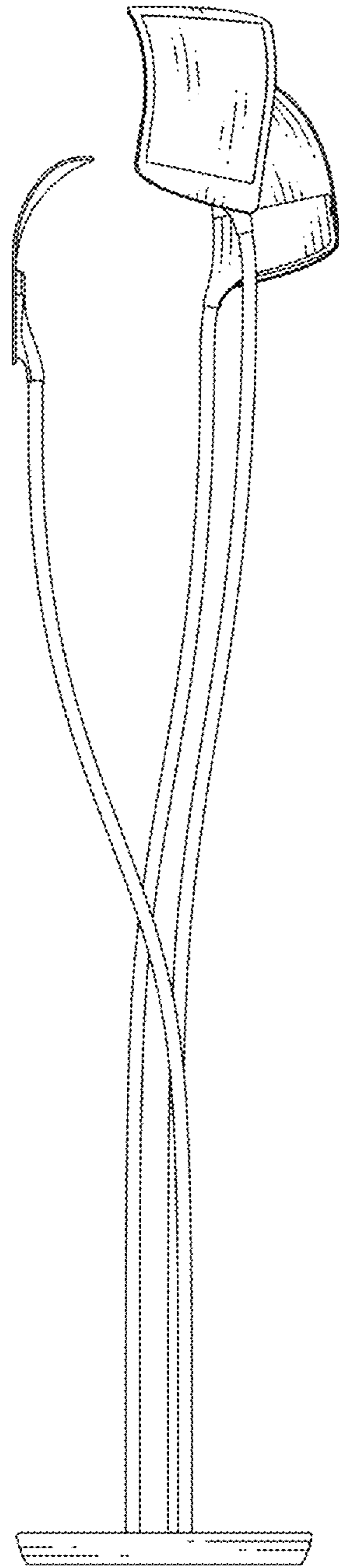


FIG. 2

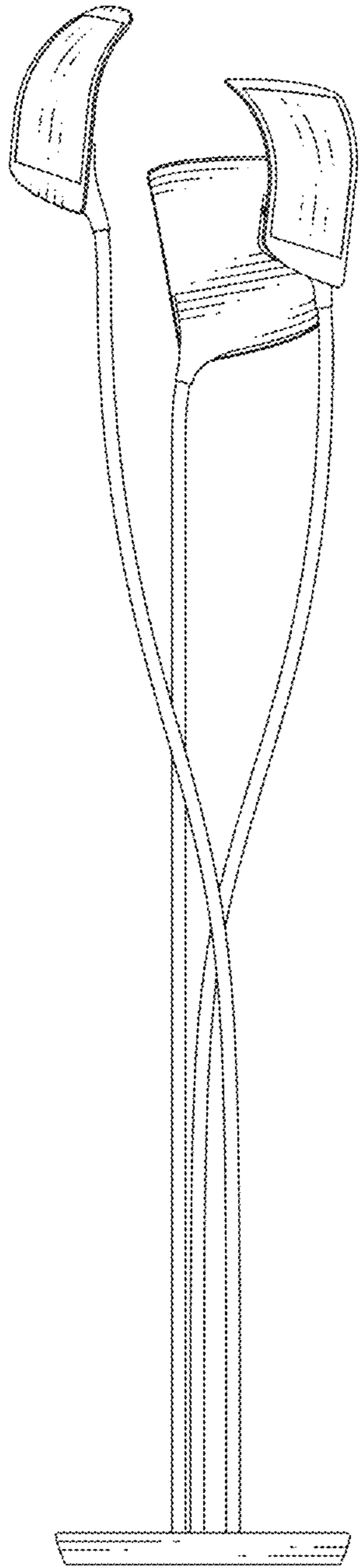


FIG. 3

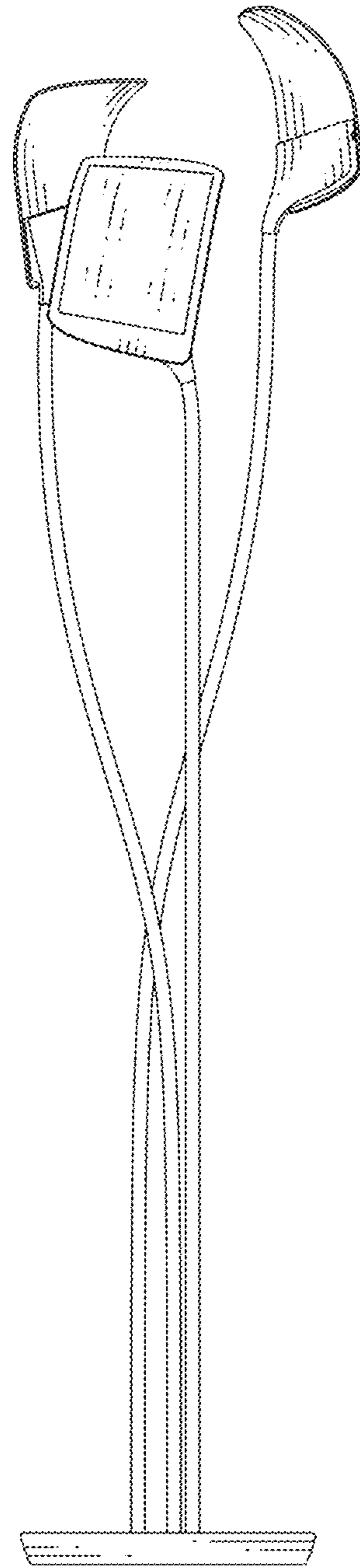


FIG. 4

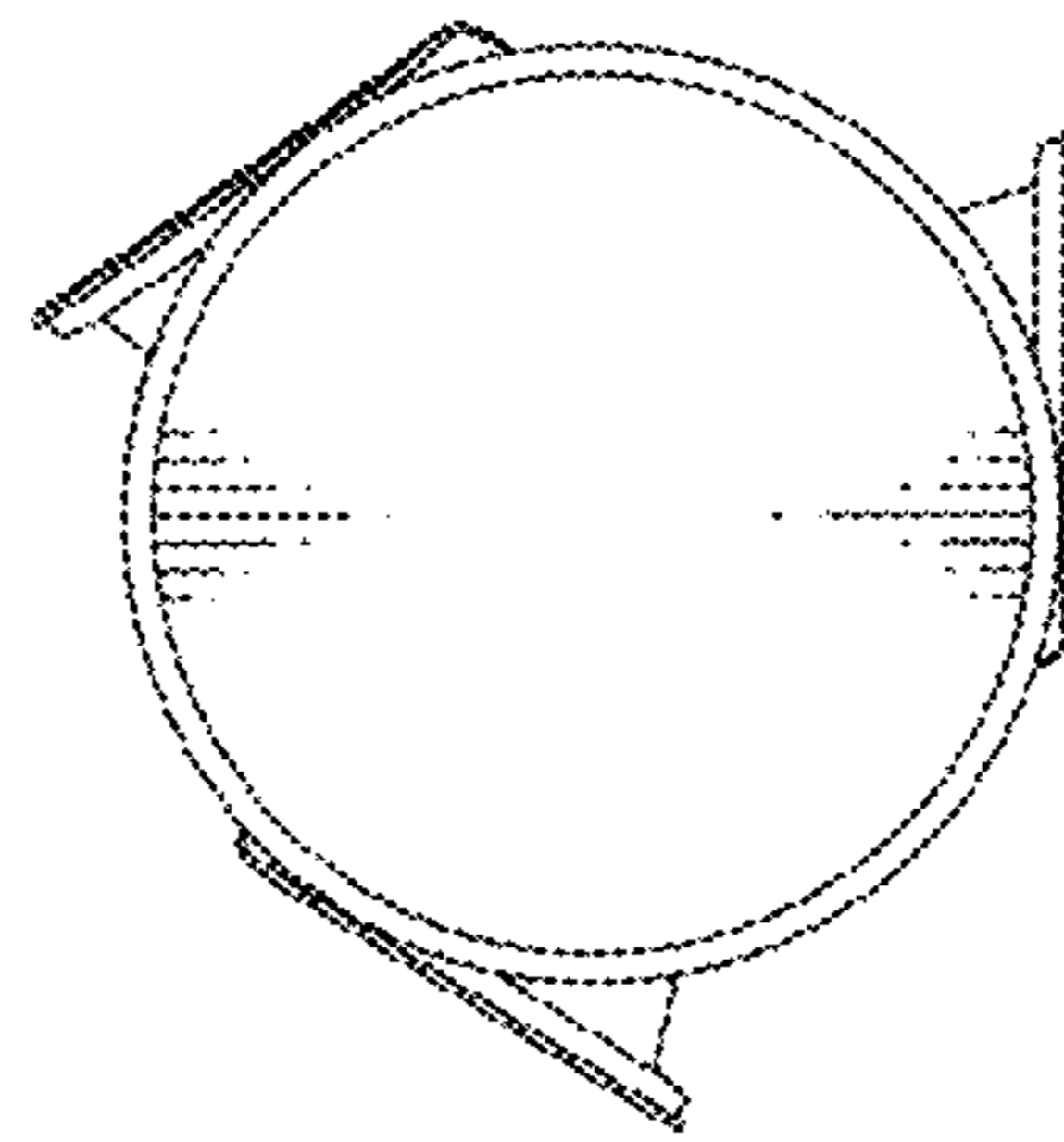


FIG. 5

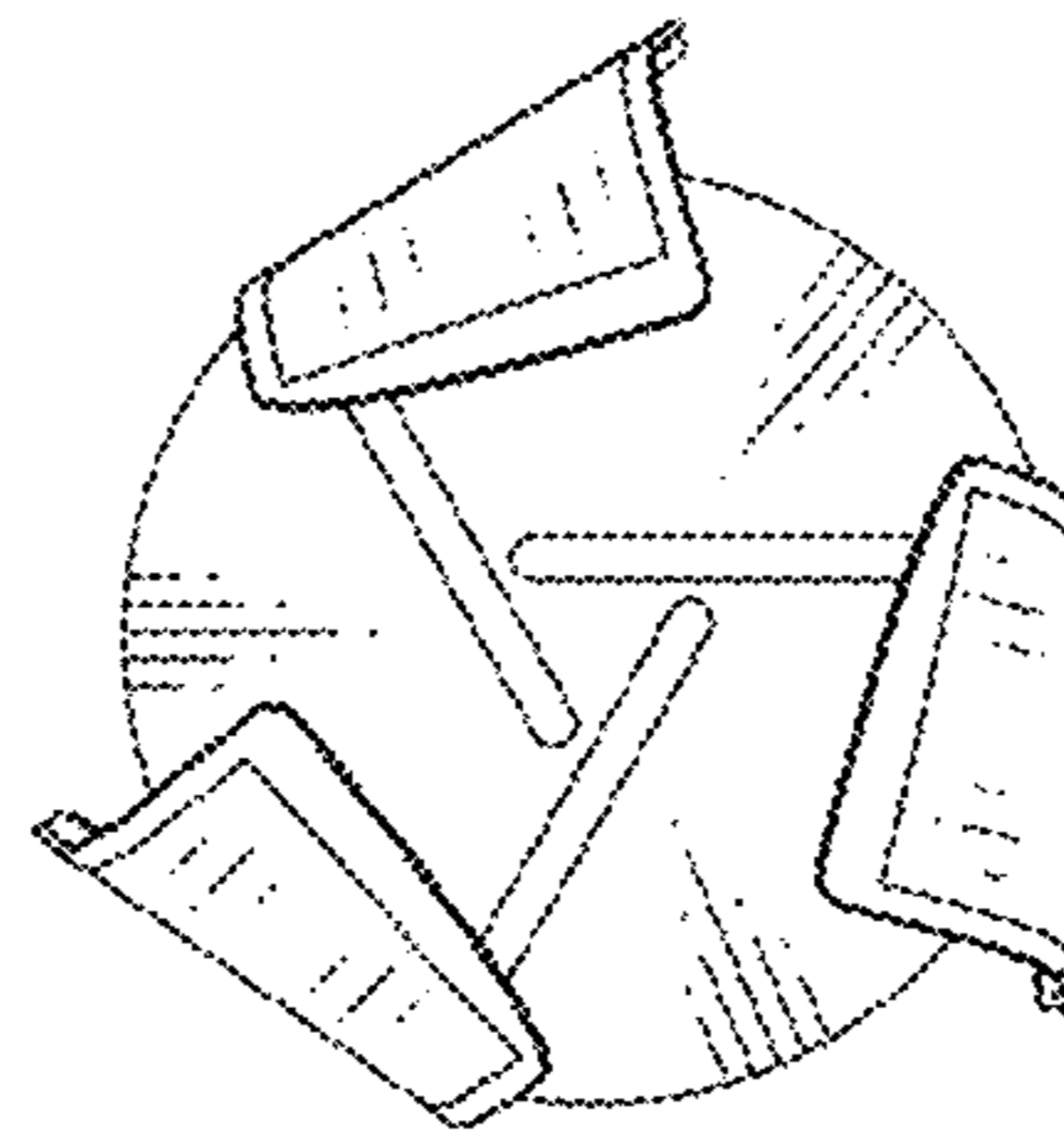


FIG. 6

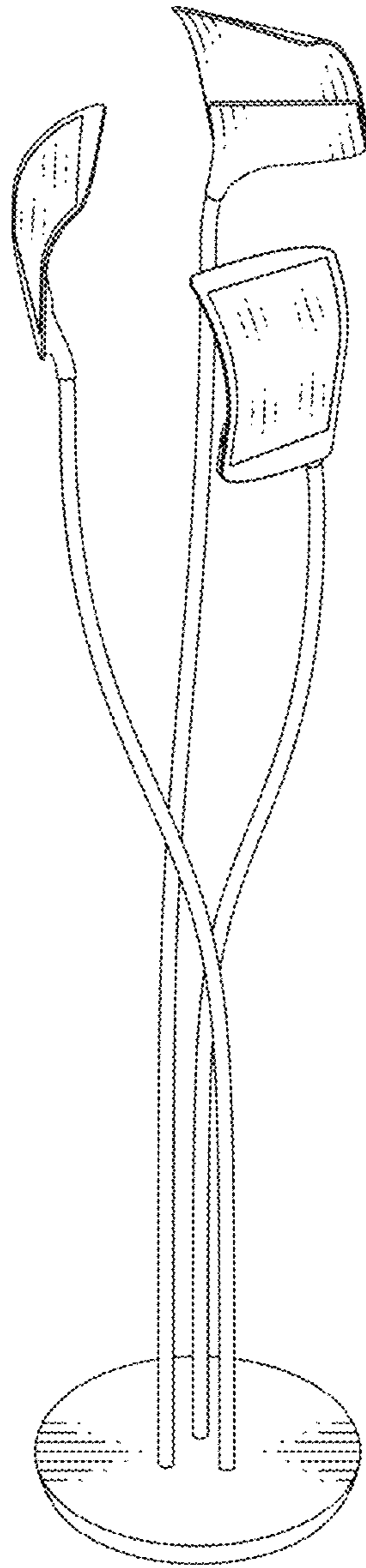


FIG. 7