



US00D911324S

(12) **United States Design Patent**  
**Wu**

(10) **Patent No.:** **US D911,324 S**  
(45) **Date of Patent:** **\*\* Feb. 23, 2021**

(54) **ELECTRONIC DEVICE BRACKET**

(71) Applicant: **Shenzhen NearbyExpress Technology Development Company Limited,**  
Shenzhen (CN)

(72) Inventor: **Mei-Lin Wu,** Shenzhen (CN)

(73) Assignee: **Shenzhen NearbyExpress Technology Development Company Limited,**  
Shenzhen (CN)

(\*\*) Term: **15 Years**

(21) Appl. No.: **29/699,074**

(22) Filed: **Jul. 23, 2019**

(30) **Foreign Application Priority Data**

Jul. 11, 2019 (CN) ..... 201930367164.1

(51) **LOC (13) Cl.** ..... **14-03**

(52) **U.S. Cl.**  
USPC ..... **D14/253**

(58) **Field of Classification Search**  
USPC ..... D14/217, 251-253, 447, 452, 432-434,  
D14/440; D8/349, 363, 394-396;  
D12/415; D3/218

CPC ..... H04M 1/02; H04M 1/04; B60R 11/02;  
F16M 11/00; F16M 11/04; F16M 11/06;  
F16M 13/02; F16M 13/00; H05K 7/00;  
H05K 5/02; A47G 1/17

See application file for complete search history.

(56) **References Cited**

**U.S. PATENT DOCUMENTS**

D518,029 S \* 3/2006 Tsang ..... D14/216  
D620,884 S \* 8/2010 Lee ..... D13/108

D719,146 S \* 12/2014 Herbst ..... D14/253  
D723,021 S \* 2/2015 Guyot ..... D14/253  
D771,614 S \* 11/2016 Chang ..... D14/253  
D781,297 S \* 3/2017 Liao ..... D14/447  
D784,978 S \* 4/2017 Hobbs ..... D14/253  
D793,994 S \* 8/2017 Herbst ..... D14/217  
D799,468 S \* 10/2017 Chen ..... D14/253  
D824,378 S \* 7/2018 Sukphisit ..... D14/253  
D873,205 S \* 1/2020 MacNeil ..... D12/415  
D873,261 S \* 1/2020 Yin ..... D14/253  
D876,316 S \* 2/2020 Peters ..... D12/415  
D877,043 S \* 3/2020 MacNeil ..... D12/415  
D881,896 S \* 4/2020 Burns ..... D14/447  
D883,273 S \* 5/2020 Chen ..... D14/253  
2012/0241581 A1 \* 9/2012 Chung ..... F16M 11/10  
248/346.06  
2014/0135062 A1 \* 5/2014 Bevirt ..... F16M 11/2078  
455/556.1

\* cited by examiner

*Primary Examiner* — Janice Hallmark

(74) *Attorney, Agent, or Firm* — ScienBiziP, P.C.

(57) **CLAIM**

The ornamental design for an electronic device bracket, as shown and described.

**DESCRIPTION**

FIG. 1 is a first perspective view of an electronic device bracket, showing my design.

FIG. 2 is a second perspective view thereof.

FIG. 3 is a front elevation view thereof.

FIG. 4 is a rear elevation view thereof.

FIG. 5 is a left side elevation view thereof.

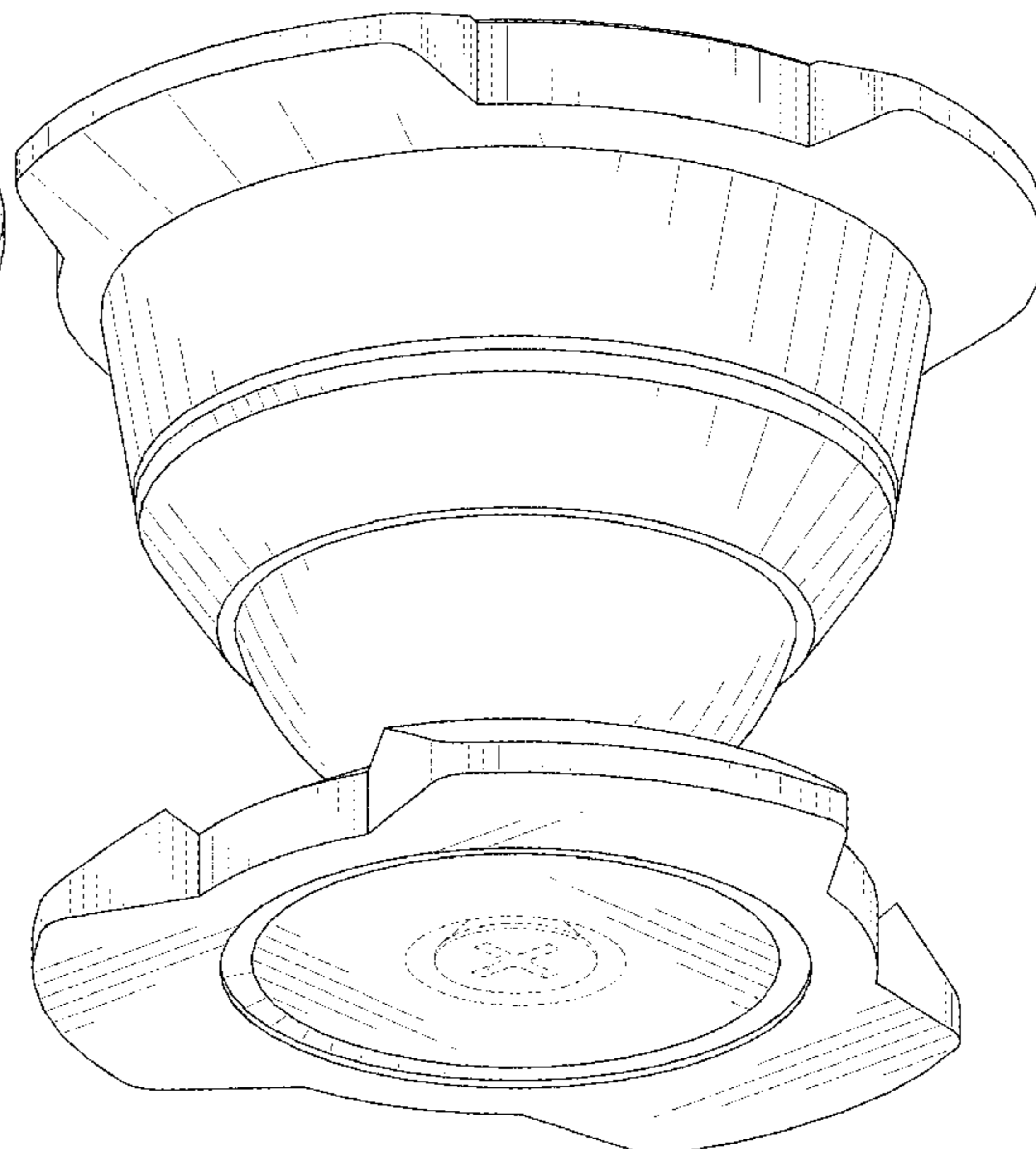
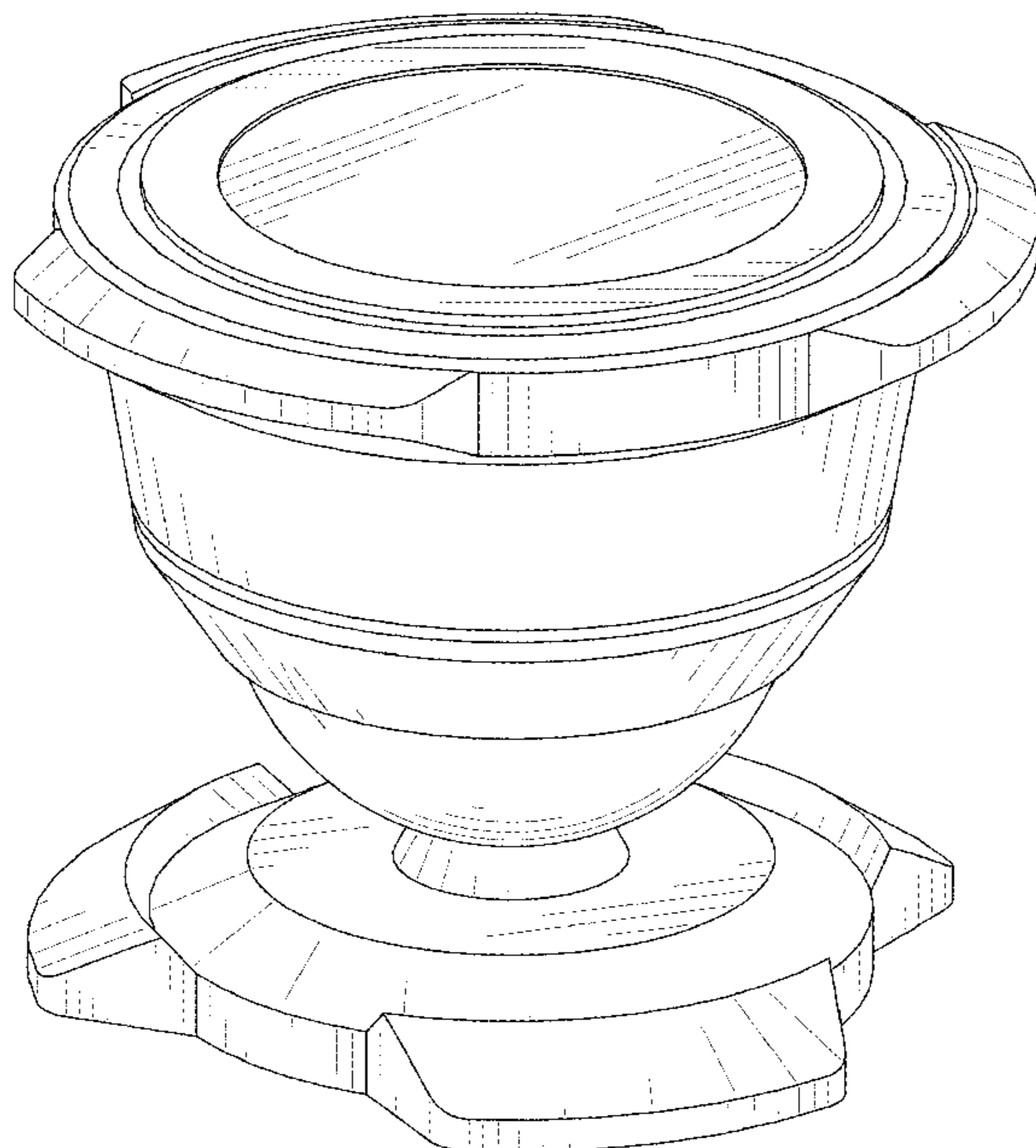
FIG. 6 is a right side elevation view thereof.

FIG. 7 is a top plan view thereof; and,

FIG. 8 is a bottom plan view thereof.

The broken lines illustrate environmental subject matter and form no part of the claimed design.

**1 Claim, 8 Drawing Sheets**



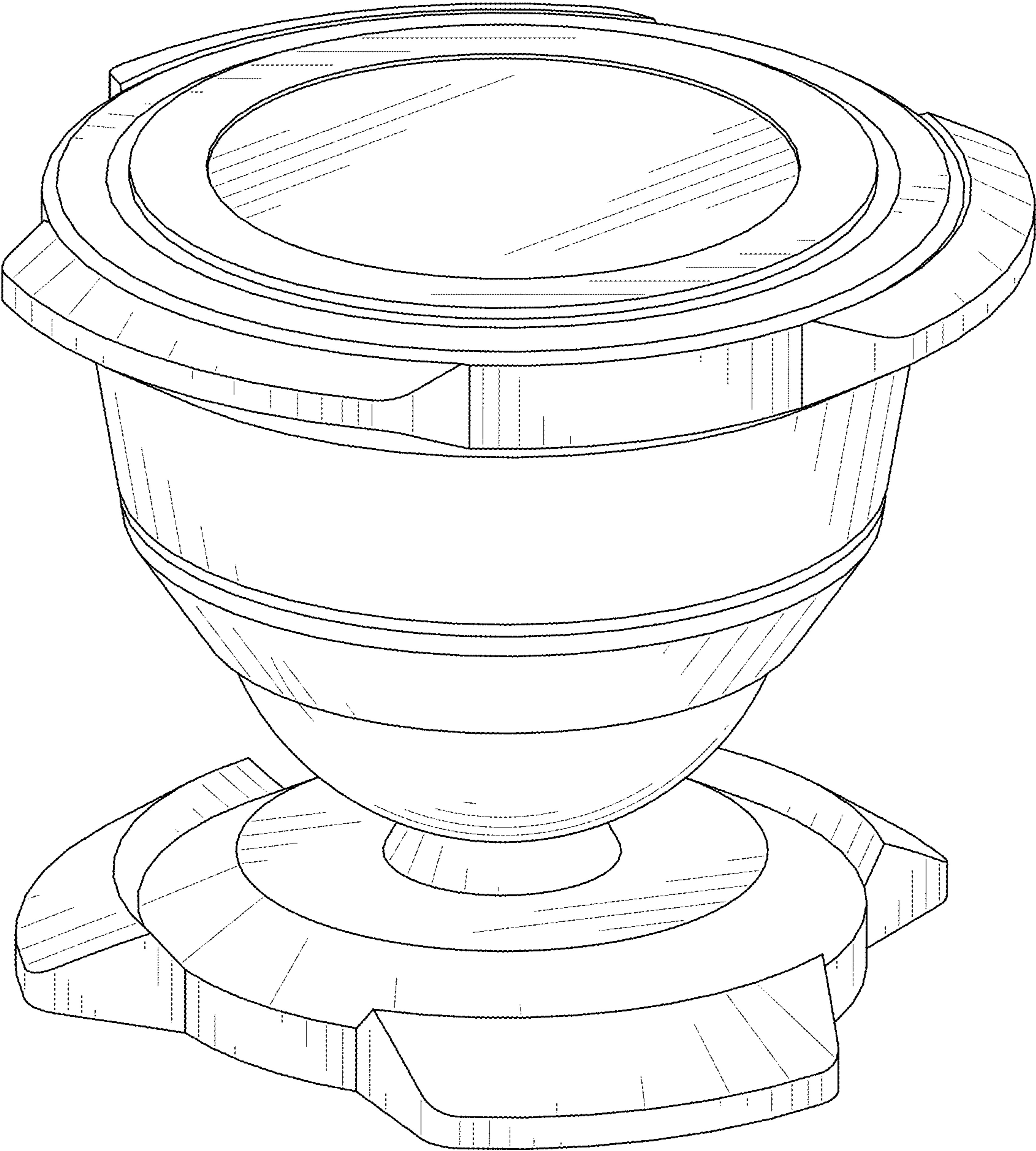


FIG. 1

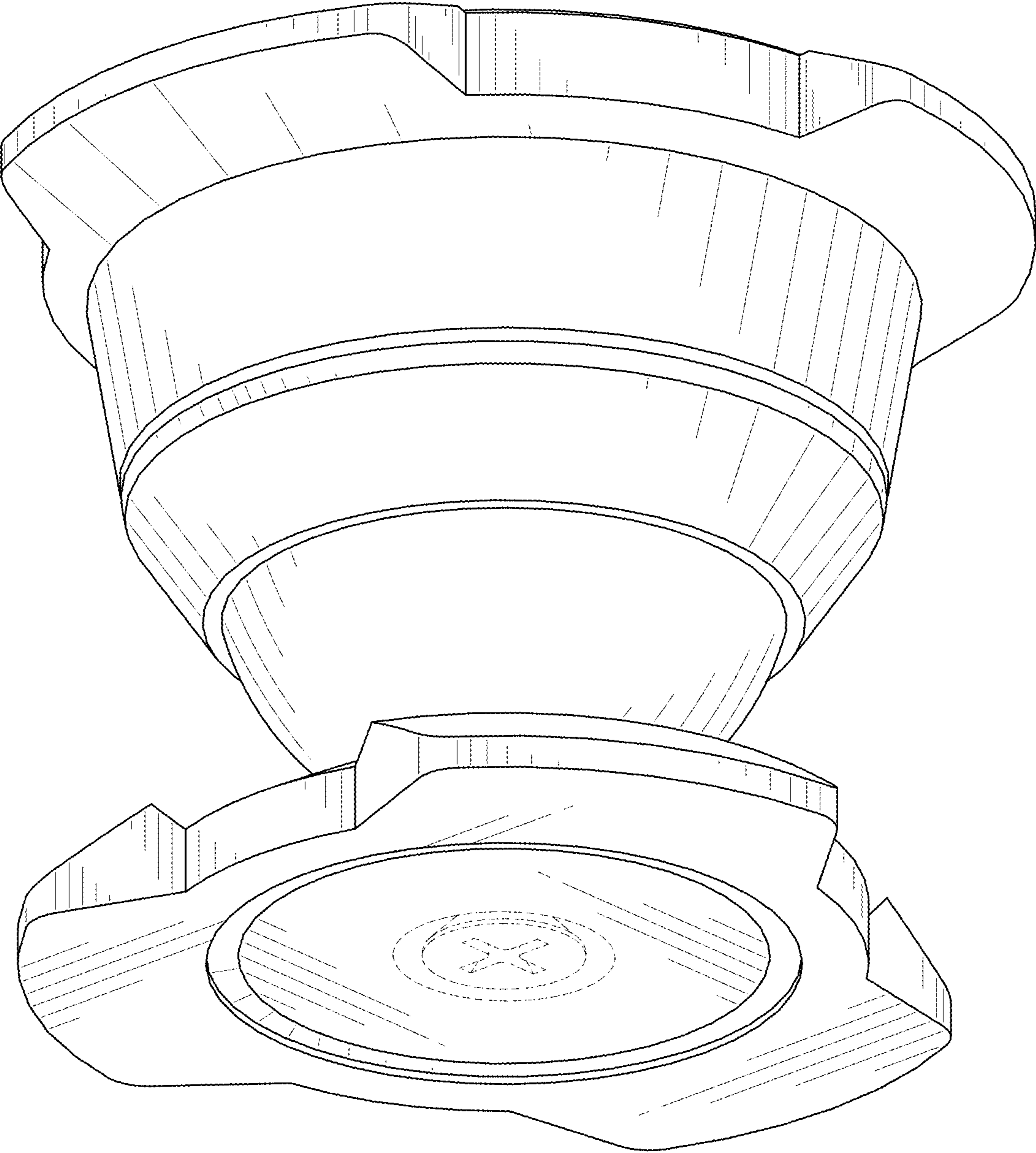


FIG. 2

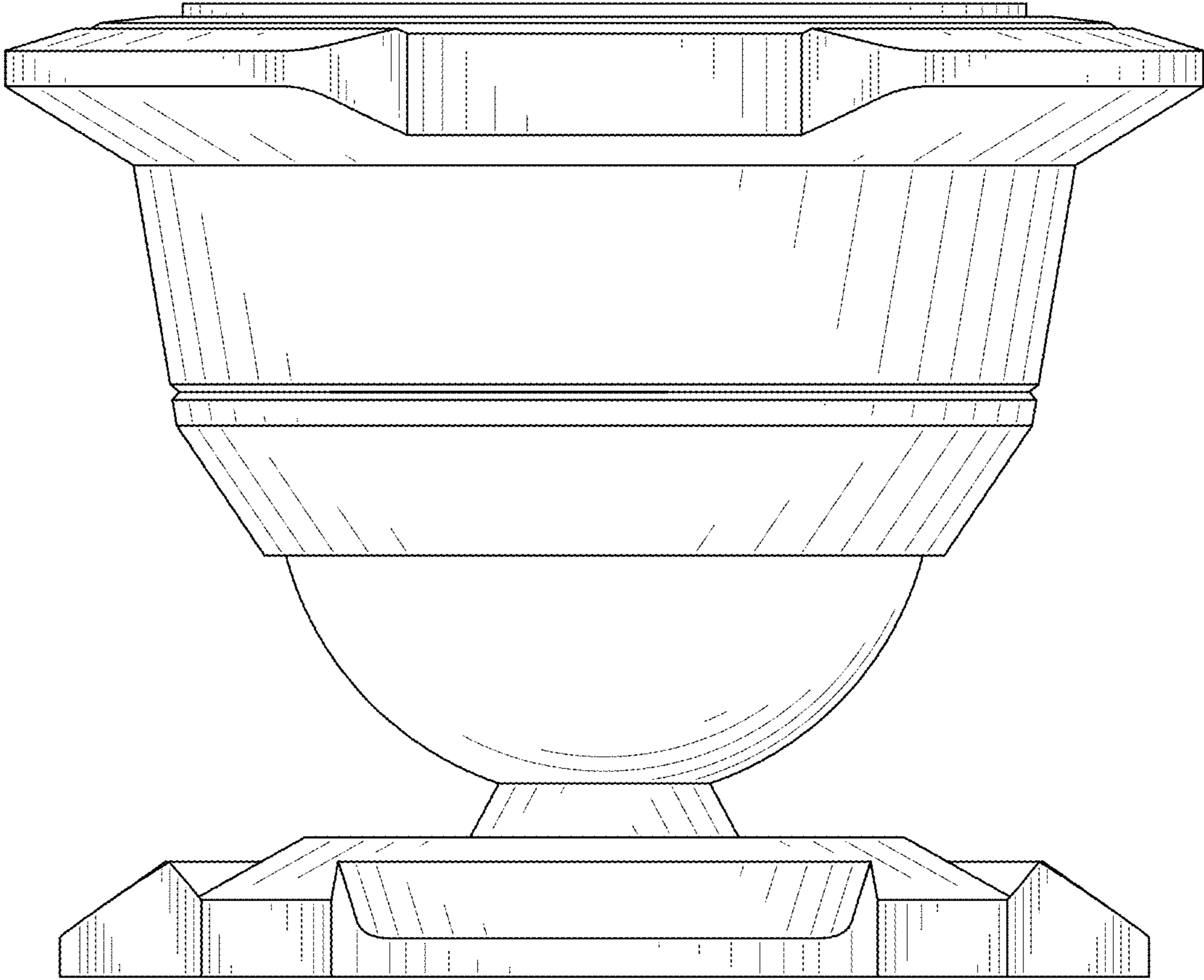


FIG. 3

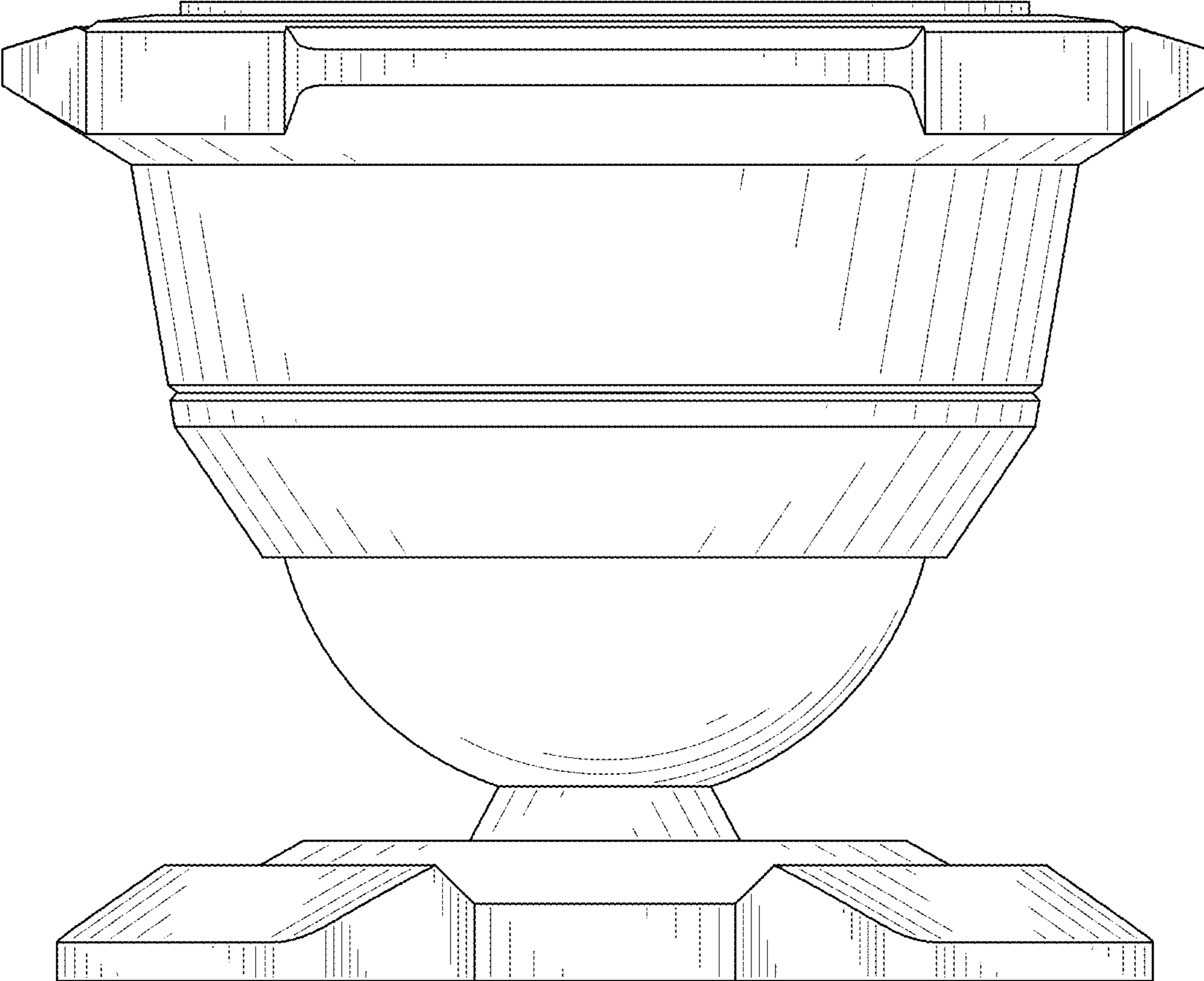


FIG. 4

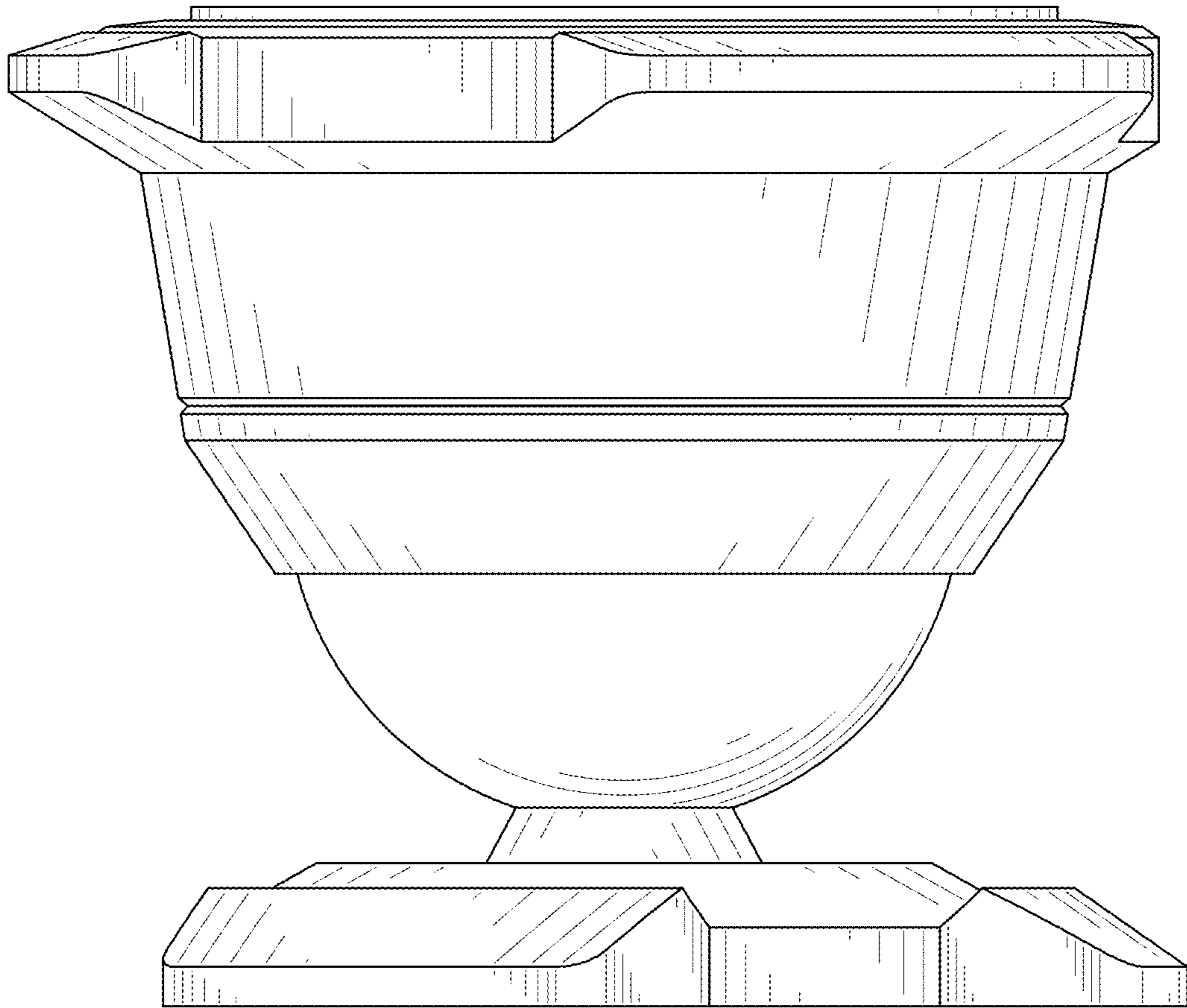


FIG. 5

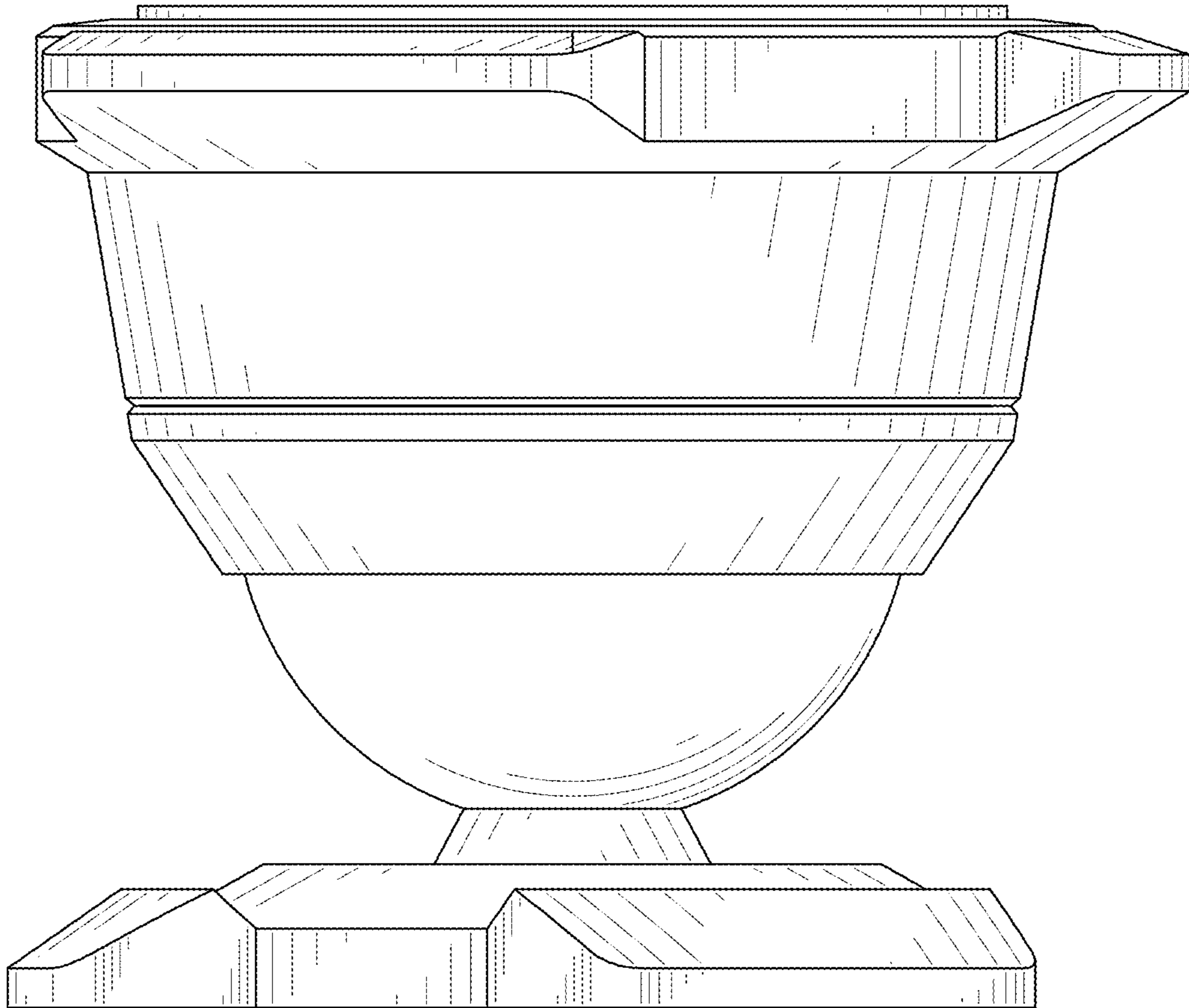


FIG. 6

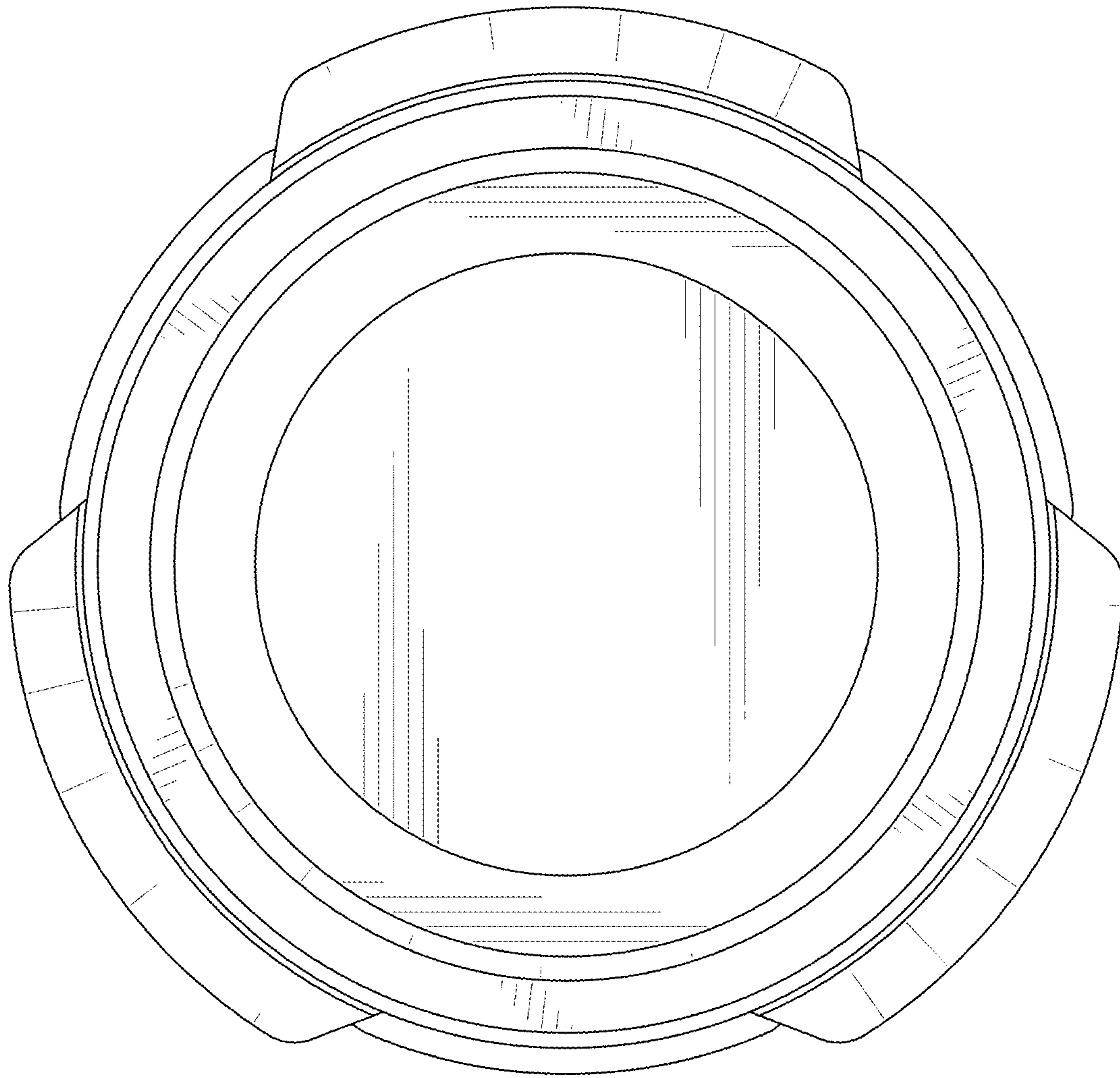


FIG. 7



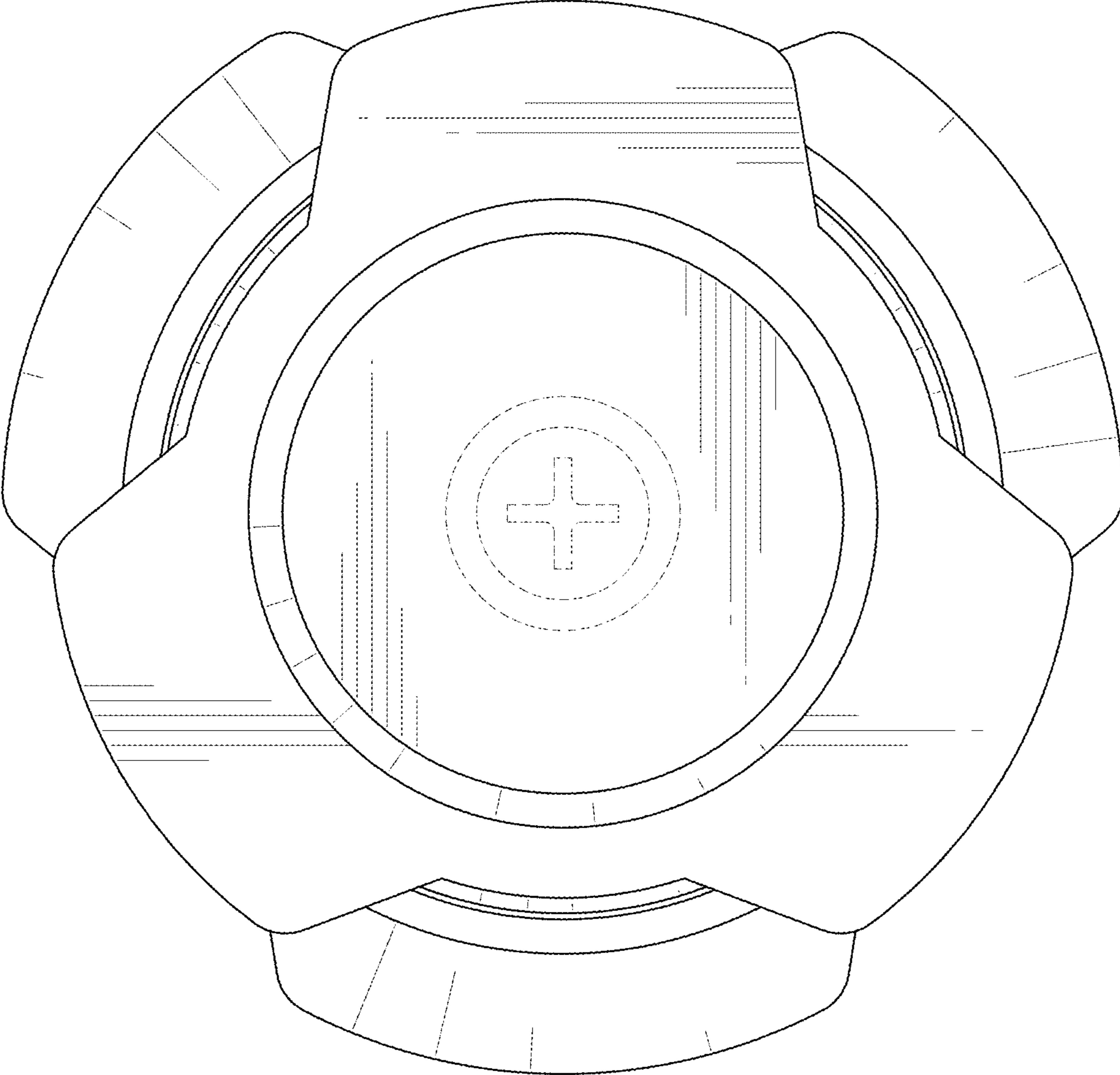


FIG. 8