



US00D911323S

(12) **United States Design Patent** (10) **Patent No.:** **US D911,323 S**
Kim (45) **Date of Patent:** **** Feb. 23, 2021**

(54) **CASE FOR ELECTRONIC COMMUNICATIONS DEVICE**

D673,547 S 1/2013 Melanson et al.
D676,035 S 2/2013 Chang
D679,271 S 4/2013 Liu

(Continued)

(71) Applicant: **SPIGEN KOREA CO., LTD.**, Seoul (KR)

(72) Inventor: **Ki Bum Kim**, Seoul (KR)

(73) Assignee: **SPIGEN KOREA CO., LTD.**, Seoul (KR)

(**) Term: **15 Years**

(21) Appl. No.: **29/729,331**

(22) Filed: **Mar. 25, 2020**

(51) **LOC (13) Cl.** **14-01**

(52) **U.S. Cl.**
USPC **D14/250**

(58) **Field of Classification Search**
USPC D14/440, 447, 250; 206/45.23, 320,
206/45.2; 361/679.55; 294/25; 224/218;
D3/247
CPC A45C 1/06; A45C 1/08
See application file for complete search history.

(56) **References Cited**

U.S. PATENT DOCUMENTS

D609,226 S	2/2010	Hofer et al.	
D613,761 S	4/2010	Jones	
D613,762 S	4/2010	Jones	
D613,763 S	4/2010	Jones	
D614,668 S	4/2010	Jones	
D619,361 S	7/2010	Andre	
D623,640 S *	9/2010	Freeman	D14/250
D624,908 S	10/2010	Huskinson	
D636,387 S	4/2011	Willes	
D637,589 S	5/2011	Willes et al.	
D646,265 S	10/2011	Fathollahi	
D663,294 S	7/2012	Buxton	
D667,783 S *	9/2012	Zhang	D13/102

OTHER PUBLICATIONS

“Spigen Tough Armor iPhone SE/5S/5 Case with Extreme Heavy Duty Protection and Air Cushion Technology for iPhone SE/iPhone 5S/iPhone 5—Metal Slate”, <https://www.amazon.com/Spigen-Extreme-Protection-Cushion-Technology/dp/B00DMKGPP4>, Earliest review date of Aug. 1, 2013, Downloaded on Aug. 9, 2018.

(Continued)

Primary Examiner — Cynthia R Underwood

(74) *Attorney, Agent, or Firm* — Heedong Chae; Lucem, PC

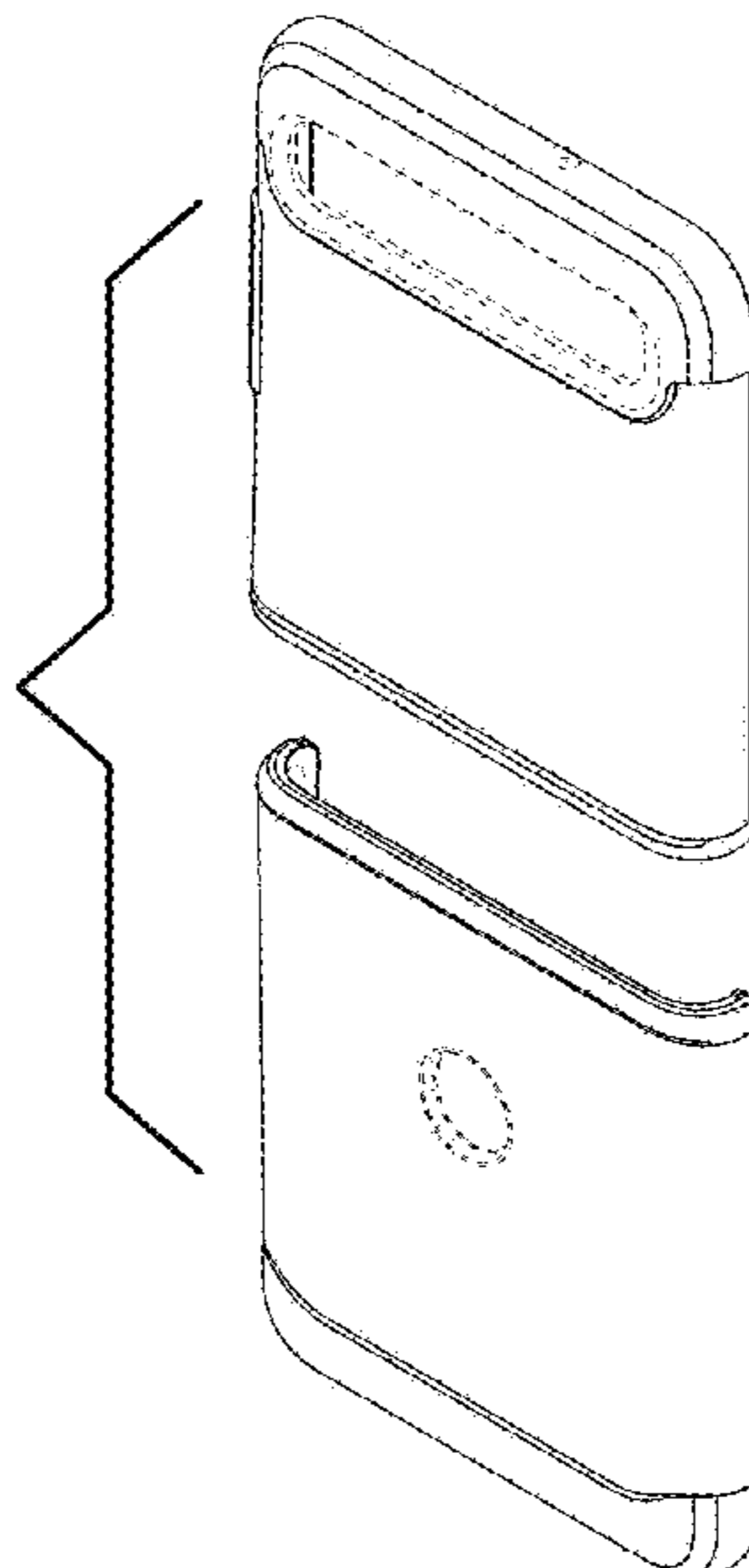
(57) **CLAIM**

The ornamental design for a case for electronic communications device, as shown and described.

DESCRIPTION

FIG. 1 is a front perspective view of a case for electronic communications device showing my new design; FIG. 2 is a rear perspective view thereof; FIG. 3 is a front elevational view thereof; FIG. 4 is a rear elevational view thereof; FIG. 5 is a left side elevational view thereof; FIG. 6 is a right side elevational view thereof; FIG. 7 is a top plan view thereof; FIG. 8 is a bottom plan view thereof; FIG. 9 is rear perspective view thereof, shown in an environment of use; and, FIG. 10 is an exploded rear perspective view of the case. The broken lines depict environmental subject matter and portions of the case for electronic communications device that form no part of the claimed design.

1 Claim, 10 Drawing Sheets



(56)

References Cited

U.S. PATENT DOCUMENTS

D681,615 S 5/2013 Fathollahi
 D686,606 S 7/2013 Hong
 8,517,172 B1 8/2013 Chang
 D698,346 S * 1/2014 Chang D14/250
 8,706,176 B1 4/2014 Jia
 D706,254 S 6/2014 Chang
 D709,871 S 7/2014 Lee
 D713,396 S * 9/2014 Tsai D14/250
 D721,071 S 1/2015 Nelson
 D727,883 S 4/2015 Brand et al.
 9,049,283 B1 6/2015 Kim
 9,185,954 B2 11/2015 Cheung
 D744,472 S 12/2015 Lerenthal
 D744,995 S 12/2015 Lerenthal
 D749,068 S 2/2016 Zaborski
 D749,535 S 2/2016 Joung
 D749,594 S 2/2016 Kim
 D753,099 S 4/2016 Kim
 D755,764 S 5/2016 Dong
 D755,772 S 5/2016 Sasaki
 D756,339 S 5/2016 Tussy
 D756,340 S 5/2016 Babichenko
 D756,343 S 5/2016 Wall et al.
 D756,909 S 5/2016 Gupta
 D756,977 S 5/2016 Schriefer
 D756,978 S 5/2016 Addonisio
 D756,980 S 5/2016 Beeman
 D757,703 S 5/2016 Kanazawa
 D759,641 S 6/2016 Lai et al.
 D759,642 S 6/2016 Chao
 D762,633 S 8/2016 Fife
 D765,634 S 9/2016 McCray et al.
 D765,635 S 9/2016 Chang
 D765,638 S 9/2016 Gaylord
 D765,640 S 9/2016 Bulkley
 D768,615 S 10/2016 Wang
 9,467,189 B2 10/2016 Day et al.
 D770,435 S * 11/2016 Daniel D14/250
 D771,028 S 11/2016 Kim
 D771,607 S 11/2016 Kim
 D771,608 S 11/2016 Kim
 D772,209 S 11/2016 Kim
 D772,858 S 11/2016 Hu
 9,503,147 B2 11/2016 Witter et al.
 D774,498 S 12/2016 Tao et al.
 D775,620 S 1/2017 Kim
 D776,104 S 1/2017 Tien
 D776,648 S 1/2017 Kim
 D777,152 S 1/2017 Kim et al.
 D777,155 S 1/2017 Kim
 D777,156 S 1/2017 Kim
 D777,160 S 1/2017 Kim
 D777,716 S 1/2017 Kim
 9,545,140 B1 1/2017 Johnson et al.
 D778,898 S 2/2017 Kim
 D779,470 S 2/2017 Kim et al.
 D780,166 S 2/2017 Lin
 D780,167 S 2/2017 Tien
 D781,834 S 3/2017 Kim et al.
 D784,309 S 4/2017 Lee et al.
 D786,233 S 5/2017 Kim
 D786,851 S 5/2017 Kim
 D786,852 S 5/2017 Kim
 D787,491 S 5/2017 Kim
 D787,942 S 5/2017 Kim
 D788,760 S 6/2017 Kim
 D791,116 S 7/2017 Kim
 D791,755 S 7/2017 Kim
 D796,497 S 9/2017 Kim
 D797,092 S 9/2017 To et al.
 D802,574 S 11/2017 Kim
 D807,338 S 1/2018 Kim
 D807,870 S 1/2018 Lee et al.
 D808,377 S 1/2018 Witter et al.
 D808,944 S 1/2018 Kim

D808,955 S 1/2018 Park et al.
 D810,726 S 2/2018 Chou et al.
 D810,729 S 2/2018 Ballou
 D813,854 S 3/2018 Lee et al.
 D817,946 S 5/2018 Webber et al.
 D819,013 S 5/2018 Kim
 D823,293 S 7/2018 Kim et al.
 D823,296 S 7/2018 Kim et al.
 D823,297 S 7/2018 Kim et al.
 D823,298 S 7/2018 Kim et al.
 D828,347 S 9/2018 Kim et al.
 D830,353 S 10/2018 Kim et al.
 D831,632 S 10/2018 Jung et al.
 D832,831 S 11/2018 Zhang
 D835,089 S 12/2018 Nelson et al.
 D837,776 S * 1/2019 Chung D14/250
 D838,262 S 1/2019 Witter et al.
 D838,264 S 1/2019 Wright et al.
 D838,265 S 1/2019 Wright et al.
 D838,710 S 1/2019 Wang
 D839,252 S 1/2019 Lim et al.
 D839,859 S 2/2019 Zhang
 D843,993 S 3/2019 Jeong et al.
 D843,994 S 3/2019 Jeong et al.
 D852,187 S * 6/2019 Kevin D14/250
 D862,447 S * 10/2019 Kim D14/250
 D865,741 S * 11/2019 Hawes D14/250
 D877,131 S * 3/2020 Yang D14/250
 D881,865 S * 4/2020 Yun D14/250
 2009/0017883 A1 1/2009 Lin
 2009/0186264 A1 * 7/2009 Huang H04B 1/3888
 429/96
 2011/0050606 A1 3/2011 Zhang
 2013/0077211 A1 3/2013 Wang
 2013/0126531 A1 5/2013 Hyneczek
 2014/0262855 A1 9/2014 Gandhi
 2014/0360892 A1 12/2014 Lin
 2015/0156297 A1 6/2015 Crawford
 2015/0335116 A1 11/2015 Kim
 2016/0028430 A1 1/2016 Crawford
 2016/0101902 A1 4/2016 Kim
 2016/0204817 A1 7/2016 Kim
 2016/0285301 A1 9/2016 Kim
 2016/0374443 A1 12/2016 Kim
 2017/0150792 A1 6/2017 Kim

OTHER PUBLICATIONS

“Spigen Tough Armor Designed for Apple iPad Mini 3 Case, iPad Mini 2 Case, iPad Mini Case—Metal Slate”, <https://www.amazon.com/Spigen-Tough-Armor-Designed-Apple/dp/B00FRVDVXK>, Earliest review date of Dec. 27, 2013, Downloaded on Jan. 15, 2019.
 “Spigen Tough Armor Galaxy S5 Case with Extreme Heavy Duty Protection and Air Cushion Technology for Samsung Galaxy S5 2014—Gunmetal”, <https://www.amazon.com/Spigen-Extreme-Protection-Cushion-Technology/dp/B00I3UWDV8>, Earliest review date of Mar. 9, 2014, Downloaded on Aug. 9, 2018.
 “Spigen Tough Armor iPhone 6 Plus Case with Kickstand and Extreme Heavy Duty Protection and Air Cushion Technology for iPhone 6S Plus / iPhone 6 Plus—Gunmetal”, <https://www.amazon.com/dp/B00LL987W2>, Earliest review date of Jul. 8, 2014, Downloaded on Oct. 4, 2017.
 “Spigen Tough Armor iPhone 6 Case with Extreme Heavy Duty Protection and Air Cushion Technology for iPhone 6S/ iPhone 6—Smooth Black”, <https://www.amazon.com/Spigen-Extreme-Protection-Cushion-Technology/dp/B00NSSX23I>, Earliest review date of Aug. 14, 2014, Downloaded on Aug. 9, 2018.
 “Spigen Tough Armor iPhone 6 Case with Extreme Heavy Duty Protection and Air Cushion Technology for iPhone 6S / iPhone 6—Gunmetal”, <https://www.amazon.com/Spigen-Extreme-Protection-Cushion-Technology/dp/B00LL60JU8>, Earliest review date of Sep. 10, 2014, Downloaded on Jan. 15, 2019.
 “Spigen Tough Armor S iPhone 6 Case with Extreme Heavy Duty Protection and Card Kickstand Feature for iPhone 5S / iPhone 6—S

(56)

References Cited

OTHER PUBLICATIONS

Mint”, <https://www.amazon.com/Spigen-Extreme-Protection-Kickstand-Feature/dp/B00LL65B06>, Earliest review date of Sep. 18, 2014, Downloaded on Jan. 15, 2019.

“Spigen Tough Armor Galaxy Note 4 Case with Extreme Heavy Duty Protection and Air Cushion Technology for Samsung Galaxy Note 4 2014—Gunmetal”, <https://www.amazon.com/dp/B00MAWQU14>, Earliest review date of Oct. 9, 2014, Downloaded on Aug. 31, 2018.

“Spigen Tough Armor FX iPhone 6 Case with Extreme Protection and Front Built-In Screen Protector Cover for iPhone 5S / iPhone 6—Gunmetal”, <https://www.amazon.com/Spigen-iPhone-Extreme-Protection-Protector/dp/B00PR9XE5C>, Earliest review date of Jan. 8, 2015, Downloaded on Jan. 15, 2019.

“Spigen Tough Armor Galaxy S6 Edge Case with Kickstand and Extreme Heavy Duty Protection and Air Cushion Technology for Galaxy S6 Edge 2015—Gunmetal”, <https://www.amazon.com/dp/B00SV63L38>, Earliest review date of Mar. 12, 2015, Downloaded on Aug. 9, 2018.

“Spigen Tough Armor Galaxy S6 Case with Kickstand and Air Cushion Technology for Galaxy S6 2015—Gunmetal”, <https://www.amazon.com/dp/B00QU4PUKK>, Earliest review date of Mar. 23, 2015, Downloaded on Aug. 9, 2018.

Spigen Tough Armor iPhone 6S Case with Extreme Heavy Duty Protection and Air Cushion Technology for iPhone 5S/iPhone 6—Rose Gold, <https://www.amazon.com/dp/B013TKNNGK>, Earliest review date of Aug. 30, 2015, Downloaded on Aug. 8, 2018.

“Spigen Tough Armor iPhone 6S Plus Case with Kickstand and Heavy Duty Air Cushion Technology Protection for iPhone 6S Plus/iPhone 6 Plus Only—Gunmetal”, <https://www.amazon.com/Spigen-Kickstand-Cushion-Technology-Protection/dp/B010MVQJPQ>, Earliest review date of Sep. 9, 2015, Downloaded on Aug. 9, 2018.

“Spigen Tough Armor Galaxy S7 Edge Case with Kickstand and Extreme Heavy Duty Protection and Air Cushion Technology for Samsung Galaxy S7 Edge 2016—Gunmetal”, <https://www.amazon.com/dp/B01A7IDNWQ>, Earliest review date of Feb. 24, 2016, Downloaded on Aug. 9, 2018.

“Spigen Tough Armor Galaxy S7 Case with Extreme Heavy Duty Protection and Air Cushion Technology for Samsung Galaxy S7 2016—Gunmetal”, <https://www.amazon.com/dp/B01A7ID3PS>, Earliest review date of Feb. 25, 2016, Downloaded on Aug. 9, 2018.

“Spigen Tough Armor LG G5 Case with Reinforced Kickstand and Heavy Duty Protection and Air Cushion Technology for LG G5 (2016)—Gunmetal”, <https://www.amazon.com/dp/B01B1GQL6I>, Earliest review date of Mar. 11, 2016, Downloaded on Aug. 9, 2018.

“Spigen Tough Armor iPhone SE Case with Extreme Heavy Duty Protection and Air Cushion Technology for iPhone SE 2016—Black”, <https://www.amazon.com/Spigen-Extreme-Protection-Cushion-Technology/dp/B01BEJB9XM>, Earliest review date of Apr. 7, 2016, Downloaded on Aug. 9, 2018.

“Spigen Tough Armor Heavy Duty Extreme Protection Rugged Slim Dual Layer Protective Cover Case for Apple iPhone 7—Gunmetal”, <https://www.amazon.co.uk/dp/B01GIVWY30>, Date first available at Amazon.co.uk of Aug. 2, 2016, Downloaded on Sep. 17, 2018.

“Spigen Tough Armor iPhone 7 Plus / iPhone 8 Plus Case with Extreme Heavy Duty Protection and Air Cushion Technology with Kickstand for Apple iPhone 7 Plus 2016/iPhone 8 Plus 2017—Rose Gold”, <https://www.amazon.com/dp/B01GIWGE8A>, Earliest review date of Sep. 6, 2016, Downloaded on Aug. 9, 2018.

“Spigen Tough Armor iPhone 7 Case with Extreme Heavy Duty Protection and Air Cushion Technology for iPhone 7 2016—Black”, <https://www.amazon.com/dp/B01GIVX30I>, Earliest review date of Sep. 9, 2016, Downloaded on Aug. 9, 2018.

“Spigen Tough Armor iPhone 7 Case with Jet Black Optimized Color and Extreme Heavy Duty Protection and Air Cushion Technology for iPhone 7 2016—Jet Black”, <https://www.amazon.com/Spigen-Optimized-Extreme-Protection-Technology/dp/B01LRSFLFM>, Earliest review date of Sep. 25, 2016, Downloaded on Aug. 9, 2018.

“Spigen Tough Armor Google Pixel Case with Kickstand and Heavy Duty Air Cushion Technology Protection for Google Pixel 2016—Black”, <https://www.amazon.com/Spigen-Kickstand-Cushion-Technology-Protection/dp/B01M12Z4PY>, Earliest review date of Oct. 20, 2016, Downloaded on Aug. 9, 2018.

“Spigen Tough Armor Google Pixel XL Case with Kickstand and Heavy Duty Air Cushion Technology Protection for Google Pixel XL 2016—Gunmetal”, <https://www.amazon.com/Spigen-Kickstand-Cushion-Technology-Protection/dp/B01LZGCH6E>, Earliest review date of Oct. 21, 2016, Downloaded on Aug. 9, 2018.

“Spigen Tough Armor LG V20 Case with Kickstand and Extreme Heavy Duty Protection and Air Cushion Technology for LG V20—Gunmetal”, <https://www.amazon.com/Spigen-Kickstand-Extreme-Protection-Technology/dp/B01M9FI54B>, Earliest review date of Dec. 2, 2016, Downloaded on Aug. 9, 2018.

“Spigen Tough Armor Designed for Apple Watch Case for 42mm Series 3 / Series 2/1 / Original (2015) / Nike+ Sport Edition and Built in Screen Protector—Gunmetal”, <https://www.amazon.com/dp/B01N74P26H>, Earliest review date of Jan. 4, 2017, Downloaded on Jan. 15, 2019.

“Spigen Tough Armor LG G6 Case with Extreme Heavy Duty Protection and Air Cushion Technology for LG G6 (2017)—Black”, <https://www.amazon.com/dp/B01MR8C4RY>, Earliest review date of Mar. 26, 2017, Downloaded on Aug. 9, 2018.

“Spigen Tough Armor Galaxy S8 Plus Case with Reinforced Kickstand and Heavy Duty Protection and Air Cushion Technology for Samsung Galaxy S8 Plus (2017)—Black”, <https://www.amazon.com/dp/B06XP4FP8N>, Earliest review date of Apr. 8, 2017, Downloaded on Aug. 9, 2018.

“Spigen Tough Armor Galaxy S8 Case with Kickstand and Extreme Heavy Duty Protection and Air Cushion Technology for Samsung Galaxy S8 (2017)—Black”, <http://www.amazon.com/dp/B0716CZ3Z1>, Earliest review date of Apr. 9, 2017, downloaded on Aug. 9, 2018.

“Spigen Tough Armor [2nd Generation] iPhone 8 Plus Case/iPhone 7 Plus Case with Kickstand Air Cushion Technology for Apple iPhone 8 Plus (2017) / iPhone 7 Plus (2016)—Black”, <http://www.amazon.com/dp/B07482KRLP>, Earliest review date of Aug. 18, 2017, downloaded on Jan. 15, 2019.

“Spigen Tough Armor [2nd Generation] iPhone 8 Plus Case/iPhone 7 Plus Case with Kickstand Air Cushion Technology for Apple iPhone 8 Plus (2017)/iPhone 7 Plus (2016)—Rose Gold”, <http://www.amazon.com/dp/B074826HMD>, Earliest review date of Aug. 18, 2017, downloaded on Aug. 9, 2018.

“Spigen Tough Armor Galaxy Note 8 Case with Kickstand and Extreme Heavy Duty Protection and Air Cushion Technology for Galaxy Note 8 (2017)—Orchid Gray”, <http://www.amazon.com/dp/B073R7MND3>, Earliest review date of Aug. 26, 2017, downloaded on Aug. 9, 2018.

“Spigen Tough Armor [2nd Generation] iPhone 8 Case/iPhone 7 Case with Kickstand and Heavy Duty Protection and Air Cushion Technology for Apple iPhone 8 (2017)/iPhone 7 (2016)—Gunmetal”, <http://www.amazon.com/dp/B07482KVD3>, Earliest review date of Sep. 2, 2017, downloaded on Aug. 9, 2018.

“Spigen Tough Armor LG V30 Case with Kickstand and Heavy Duty Protection for LG V30 (2017)—Black”, <http://www.amazon.com/dp/B071WS1TYG>, Earliest review date of Sep. 8, 2017, downloaded on Aug. 9, 2018.

“Spigen Tough Armor Galaxy S8 Active Case with Kickstand and Extreme Heavy Duty Protection and Air Cushion Technology for Galaxy S8 Active (2017)—Gunmetal”, <http://www.amazon.com/dp/B0746PT25T>, Earliest review date of Sep. 15, 2017, downloaded on Aug. 9, 2018.

“Spigen Tough Armor Designed for Apple iPhone X Case (2018) / Designed for Apple iPhone X Case (2017)—Matte Black”, <http://www.amazon.com/dp/B074CMT7HV>, Earliest review date of Sep. 27, 2017, downloaded on Jan. 15, 2019.

“Spigen Tough Armor Designed for Apple iPad Pro 10.5 Case (2017)—Black”, <http://www.amazon.com/dp/B0751GFB8X>, Earliest review date of Oct. 11, 2017, downloaded on Jan. 15, 2019.

“Spigen Tough Armor Designed for Apple iPad 9.7 Case iPad Case (2017/2018)—Black”, <http://www.amazon.com/dp/B072F7DGMJ>, Earliest review date of Oct. 23, 2017, downloaded on Jan. 15, 2019.

(56)

References Cited

OTHER PUBLICATIONS

“Spigen Tough Armor Google Pixel 2 Case with Kickstand and Extreme Heavy Duty Protection and Air Cushion Technology for Google Pixel 2 (2017)—Gunmetal”, <http://www.amazon.com/dp/B0747523HC>, Earliest review date of Oct. 28, 2017, downloaded on Aug. 9, 2018.

“Spigen Tough Armor Google Pixel 2 XL Case with Kickstand and Extreme Heavy Duty Protection and Air Cushion Technology for Google Pixel 2 XL (2017)—Black”, <http://www.amazon.com/dp/B07477LL8Q>, Earliest review date of Oct. 29, 2017, downloaded on Aug. 9, 2018.

“Spigen Tough Armor Moto Z2 Force Case with Kickstand and Extreme Heavy Duty Protection and Air Cushion Technology for Moto Z2 Force (2017)—Gunmetal”, <http://www.amazon.com/dp/B074PB5HQ1>, Earliest review date of Nov. 21, 2017, downloaded on Aug. 9, 2018.

“Spigen Tough Armor Tech Designed for Apple iPad 9.7 Case iPad Case (2017/2018)—Black”, <http://www.amazon.com/dp/B078FGC17H>, Earliest review date of Feb. 18, 2018, downloaded on Jan. 15, 2019.

“Spigen Tough Armor Galaxy S9 Plus Case with Reinforced Kickstand and Heavy Duty Protection and Air Cushion Technology for Samsung Galaxy S9 Plus (2018)—Lilac Purple”, <http://www.amazon.com/dp/B078BBPY98>, Earliest review date of Mar. 1, 2018, downloaded on Jan. 15, 2019.

“Spigen Tough Armor Galaxy S9 Case with Reinforced Kickstand and Heavy Duty Protection and Air Cushion Technology for Samsung Galaxy S9 (2018)—Graphite Gray”, <http://www.amazon.com/dp/B078B3K513>, Earliest review date of Mar. 10, 2018, downloaded on Jan. 16, 2019.

“Spigen Tough Armor Galaxy S9 Case with Reinforced Kickstand and Heavy Duty Protection and Air Cushion Technology for Samsung Galaxy S9 (2018)—Graphite Gray”, <http://www.amazon.com/dp/B078B3K513>, Earliest review date of Mar. 10, 2018, downloaded on Aug. 9, 2018.

“Spigen Tough Armor LG G7 Case/LG G7 ThinQ Case with Reinforced Kickstand and Heavy Duty Protection and Air Cushion Technology for LG G7 ThinQ (2018)—Gunmetal”, <https://www.amazon.com/Spigen-Reinforced-Kickstand-Protection-Technology/dp/B078MVT4YD>, Earliest review date of Jun. 1, 2018, downloaded on Aug. 9, 2018.

“Spigen Tough Armor Moto G6 Case with Reinforced Kickstand and Heavy Duty Protection and Air Cushion Technology for Motorola Moto G6 (2018)—Metal Slate”, <https://www.amazon.com/Spigen-Reinforced-Kickstand-Protection-Technology/dp/B07D2YP2QZ>, Earliest review date of Aug. 9, 2018, downloaded on Aug. 9, 2018.

“Spigen Tough Armor Galaxy Note 9 Case with Kickstand and Extreme Heavy Duty Protection and Air Cushion Technology for Samsung Galaxy Note 9 (2018)—Ocean Blue”, <https://www.amazon.com/Spigen-Kickstand-Extreme-Protection-Technology/dp/B07FN5D7T8>, Earliest review date of Aug. 10, 2018, downloaded on Jan. 15, 2019.

“Spigen Tough Armor Designed for Apple iPhone Xs MAX Case (2018)—Gunmetal”, <https://www.amazon.com/dp/B07GTCMF8X/>, Earliest review date of Sep. 15, 2018, downloaded on Jan. 15, 2019.

“Spigen Tough Armor Designed for Google Pixel 3 XL Case (2018)—Black”, <https://www.amazon.com/Spigen-Tough-Armor-Designed-Google/dp/B07H5SKSPM>, Earliest review date of Oct. 10, 2018, Downloaded on Jan. 15, 2019.

“Spigen Tough Armor Designed for Google Pixel 3 Case (2018)—Black”, <https://www.amazon.com/Spigen-Tough-Armor-Designed-Google/dp/B07H5QBRPV>, Earliest review date of Oct. 17, 2018, Downloaded on Jan. 15, 2019.

“Spigen Tough Armor Designed for Apple iPhone XR Case (2018)—Blue”, <https://www.amazon.com/Spigen-Tough-Armor-Designed-iPhone/dp/B07HQGYMVH>, Earliest review date of Oct. 19, 2018, Downloaded on Oct. 2, 2019.

“Spigen Tough Armor Designed for Apple iPhone XR Case (2018)—Gunmetal”, <https://www.amazon.com/Spigen-Tough-Armor-Designed-iPhone/dp/B07GHYQJJB/>, Earliest review date of Oct. 19, 2018, Downloaded on Jan. 15, 2019.

“Spigen Tough Armor Designed for LG V40 ThinQ Case (2018)—Rose Gold”, <https://www.amazon.com/Spigen-Tough-Armor-Designed-ThinQ/dp/B07GQ9NFNZ>, Earliest review date of Oct. 25, 2018, Downloaded on Jan. 15, 2019.

“Spigen Tough Armor Designed for Apple Watch Case for 44mm Series 4 (2018)—Black”, <https://www.amazon.com/Spigen-Tough-Armor-Designed-Apple/dp/B07HT7N88N/>, Earliest review date of Nov. 11, 2018, Downloaded on Jan. 15, 2019.

“Spigen Tough Armor S iPhone 6 Case with Extreme Heavy Duty Protection and Card Kickstand Feature for iPhone 6S / iPhone 6—S Mint”, <https://www.amazon.com/Spigen-Tough-Armor-Designed-OnePlus/dp/B07K6X45DP>, Earliest review date of Jan. 10, 2019, Downloaded on Jan. 15, 2019.

“Spigen Tough Armor Designed for Samsung Galaxy S10 Case (2019)—Gunmetal”, <https://www.amazon.com/Spigen-Tough-Designed-Samsung-Galaxy/dp/B07MT1RSZ2>, Earliest review date of Feb. 26, 2019, Downloaded on Oct. 3, 2019.

“Spigen Tough Armor Designed for Samsung Galaxy S10e Case (2019)—Black”, <https://www.amazon.com/Spigen-Tough-Designed-Samsung-Galaxy/dp/B07M8622KN>, Earliest review date of Mar. 6, 2019, Downloaded on Oct. 3, 2019.

“Samsung Bloom Leather Cover Black”, <https://www.amazon.com/Samsung-Bloom-Leather-Cover-Black/dp/B083Y5W77C>, Earliest review date of Jan. 16, 2020, Downloaded on Sep. 23, 2020.

“Kqimi Case for Samsung Galaxy Z Flip [Ultra-Thin] Premium Material Slim Full Protection Cover for Samsung Galaxy Z Flip (Rose Gold)”, <https://www.amazon.com/Samsung-Bloom-Leather-Cover-Black/dp/B085Q7NR7B>, Earliest review date of Mar. 10, 2020, Downloaded on Sep. 23, 2020.

“VVUPIC for Samsung Galaxy Z Flip Case Cover Slim Hard [Slim Fit] Protective Polycarbonate Shell Cover”, <https://www.amazon.com/Samsung-Bloom-Leather-Cover-Black/dp/B085WQ5WTV>, Earliest review date of Mar. 13, 2020, Downloaded on Sep. 23, 2020.

“araree Aero Flex, Galaxy Z Flip/Z Flip 5G case, Hybrid case, Hinge Protective (TPU) with Hard Body case (PC)—Black”, <https://www.amazon.com/Samsung-Bloom-Leather-Cover-Black/dp/B085Y52XP8>, Earliest review date of Mar. 16, 2020, Downloaded on Sep. 23, 2020.

“VVUPIC for Samsung Galaxy Z Flip Case Cover Slim Hard [Slim Fit] Protective Polycarbonate Shell Cover Vivid Color”, <https://www.amazon.com/Samsung-Bloom-Leather-Cover-Black/dp/B085Y8JT3H/>, Earliest review date of Mar. 16, 2020, Downloaded on Sep. 23, 2020.

“Best Samsung Galaxy Z Flip Cases in 2020 | Android Central”, <https://www.androidcentral.com/best-samsung-galaxy-z-flip-cases>, Earliest review date of Mar. 16, 2020, Downloaded on Sep. 23, 2020.

* cited by examiner

FIG. 1

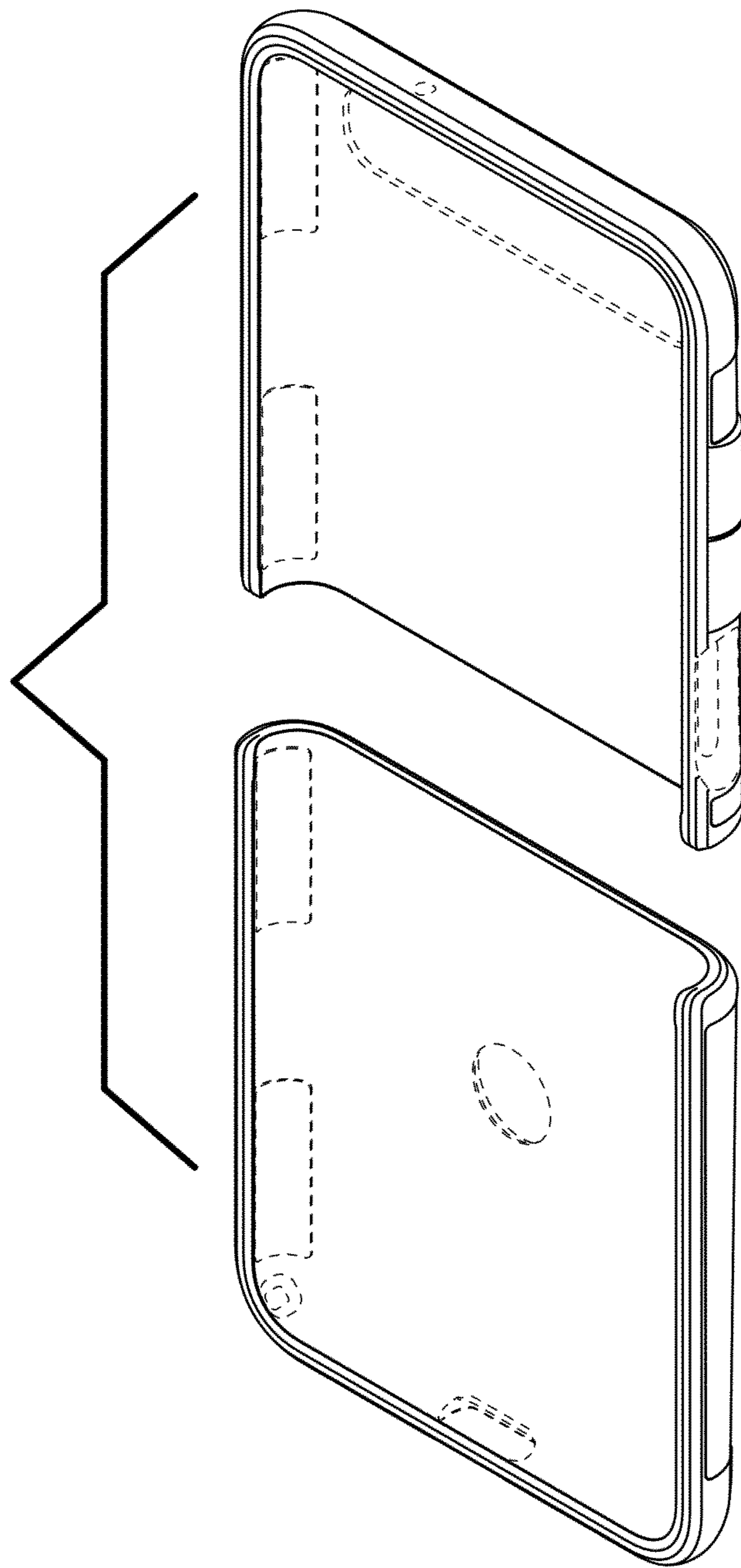


FIG. 2

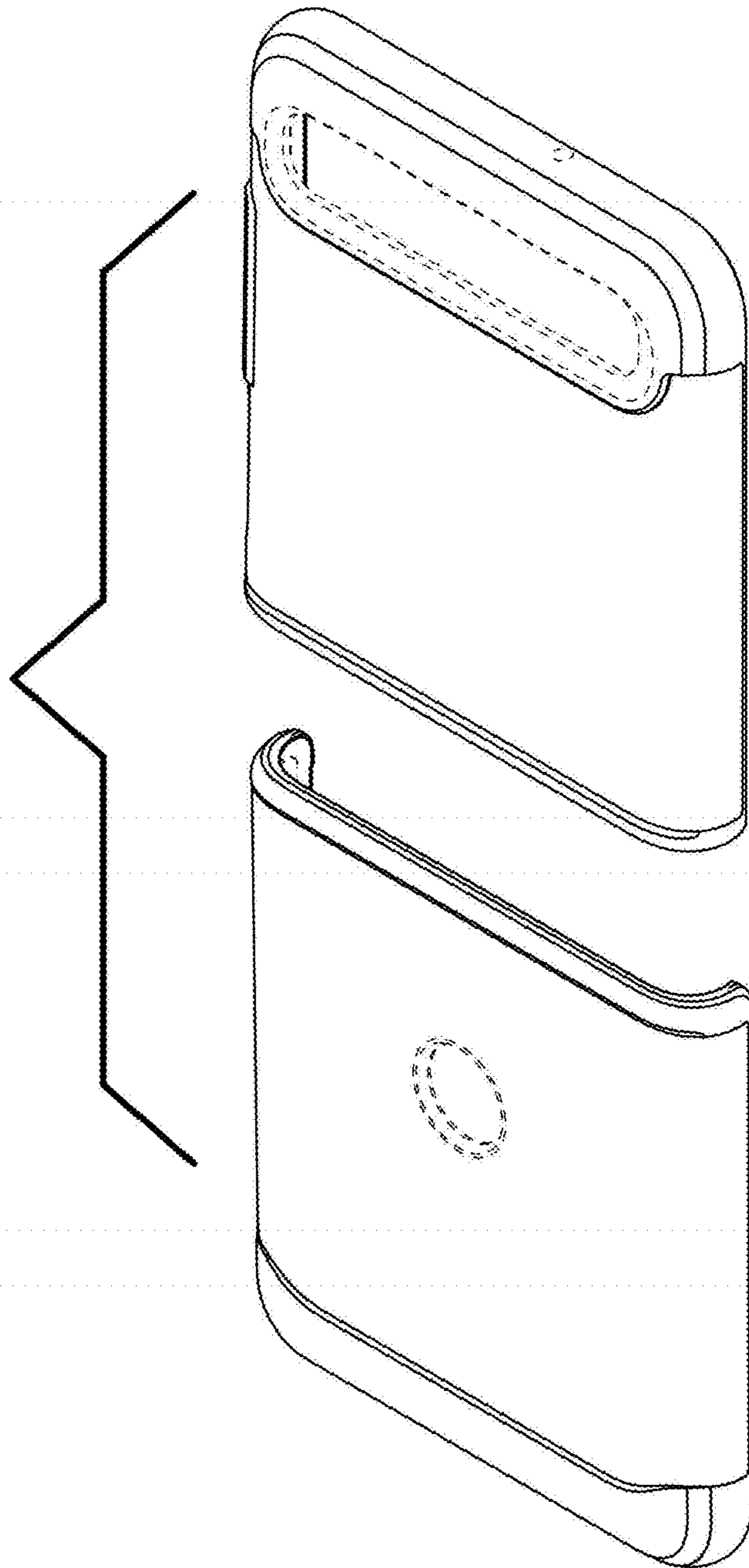


FIG. 3

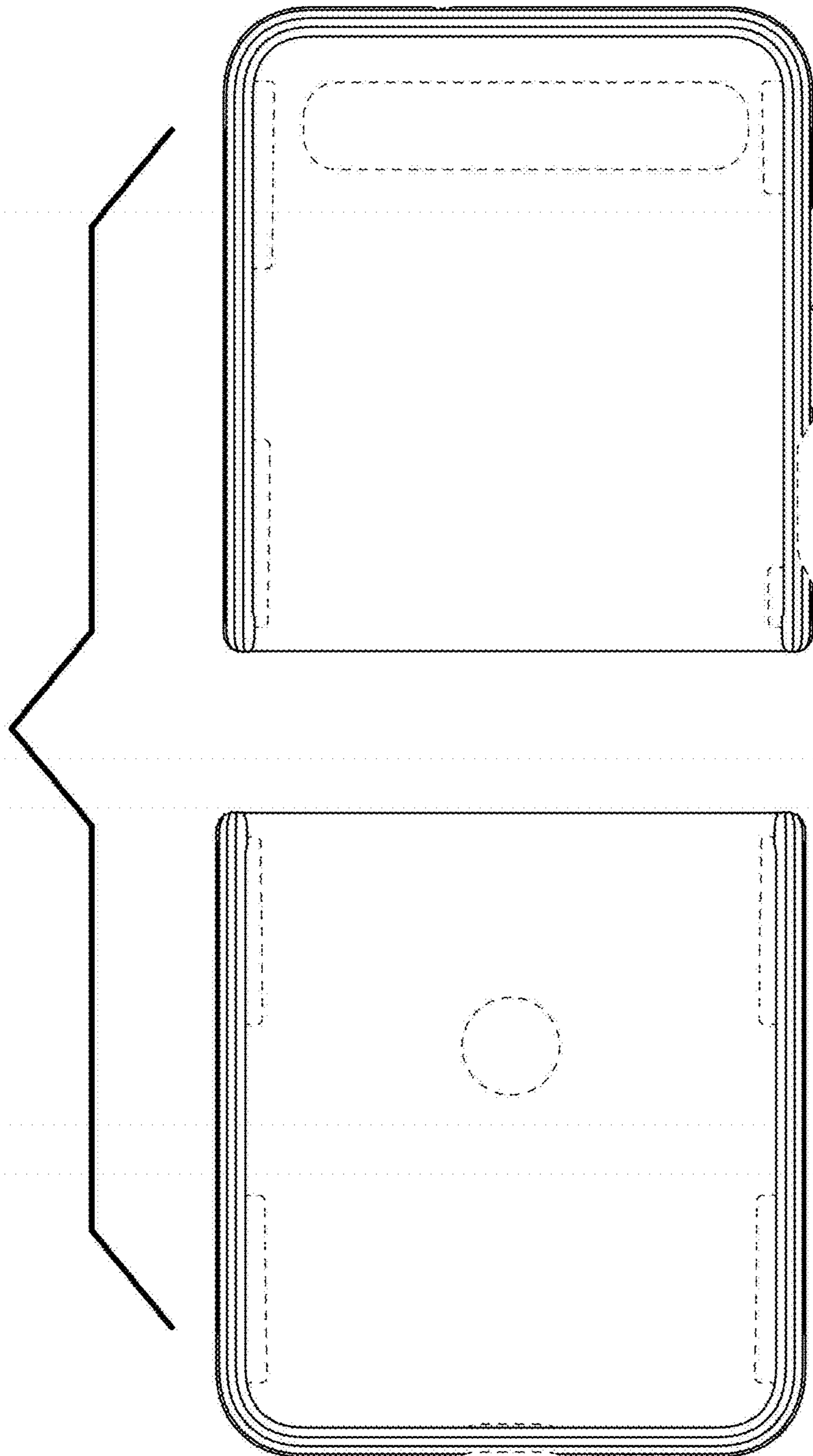


FIG. 4

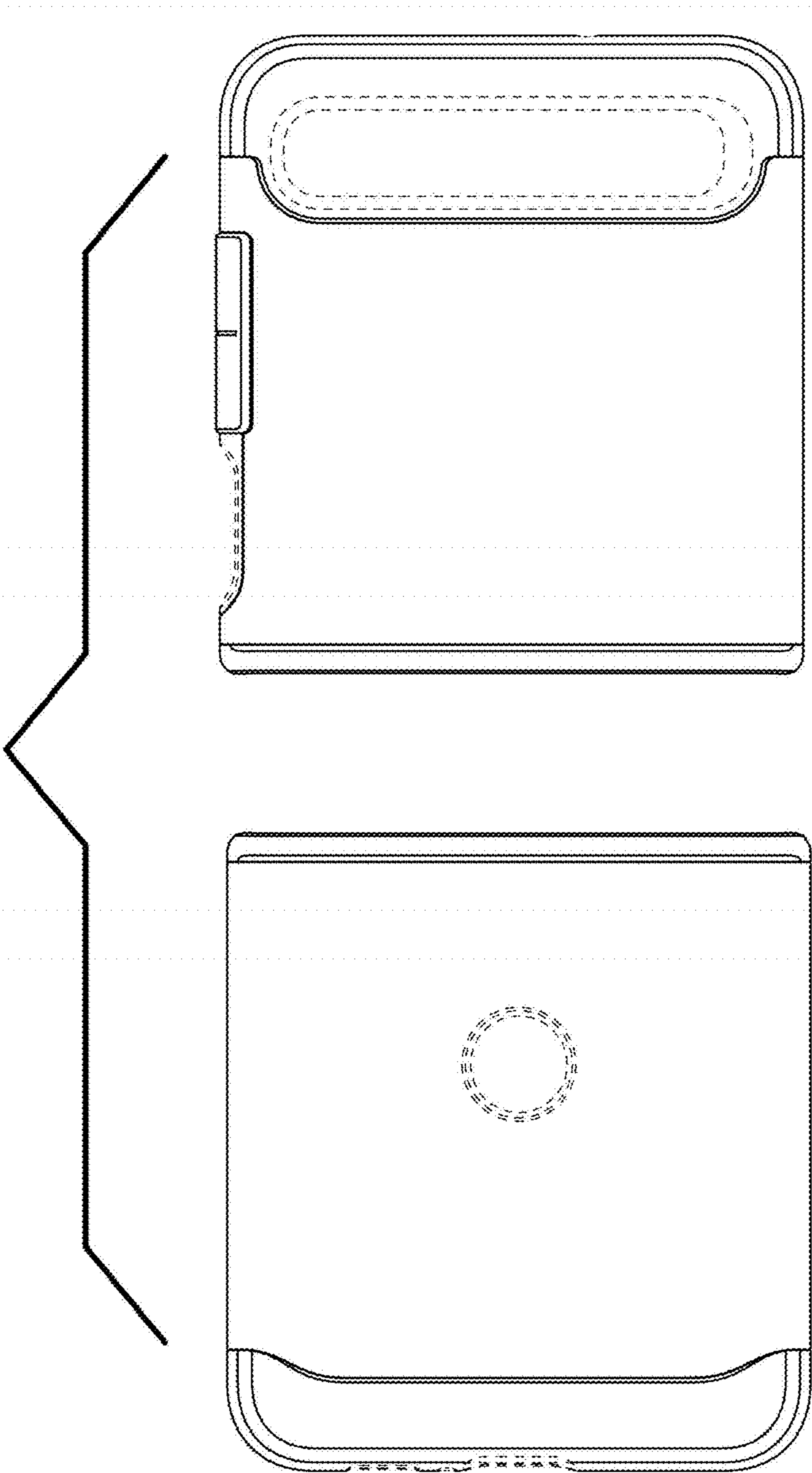


FIG. 5

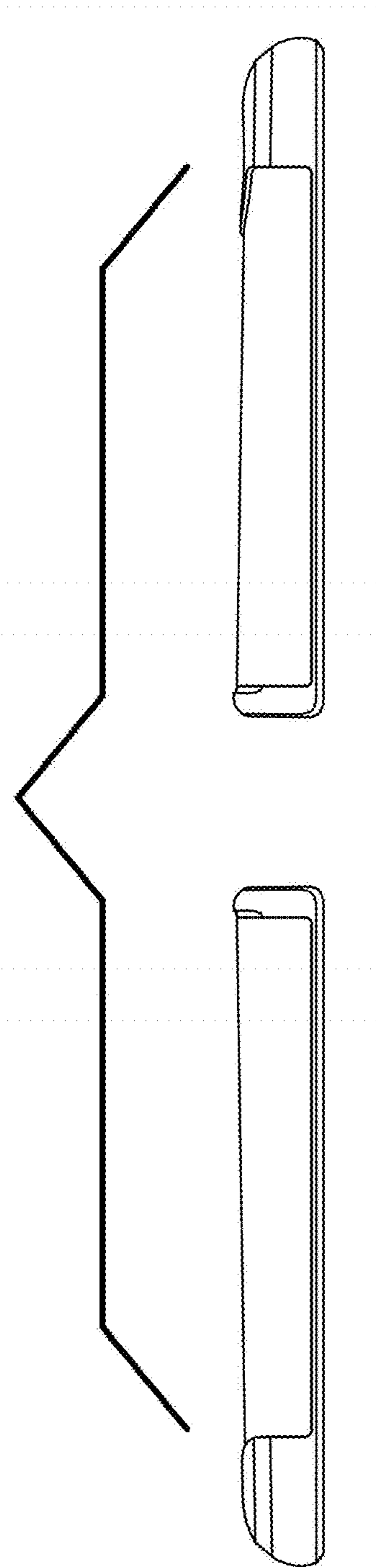


FIG. 6

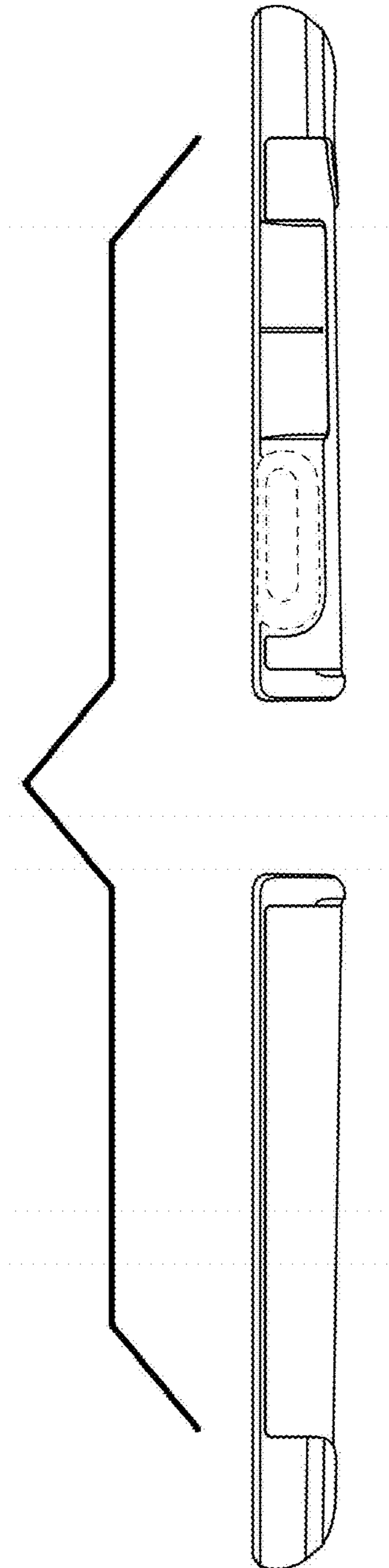


FIG. 7

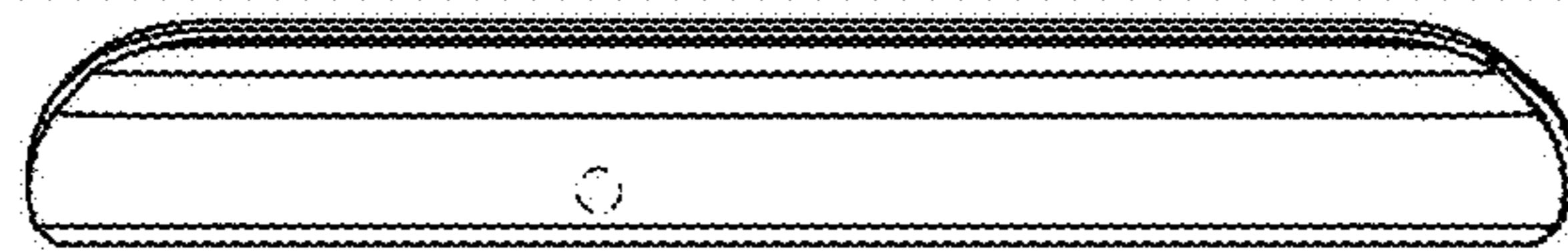


FIG. 8



FIG. 9

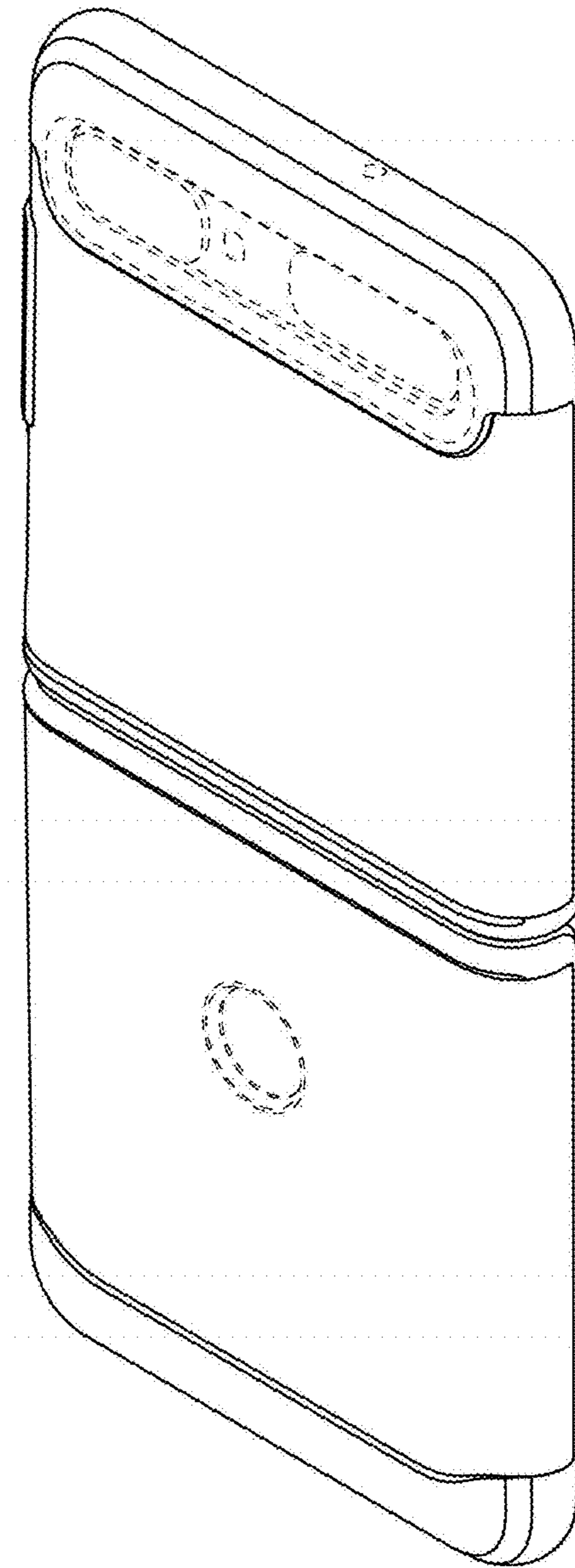


FIG. 10

