



US00D911320S

(12) **United States Design Patent** (10) **Patent No.:** **US D911,320 S**
Lyu (45) **Date of Patent:** **** Feb. 23, 2021**

(54) **MONITOR WALL MOUNT APPARATUS**

(71) Applicant: **Yaqi Lyu**, Shenzhen (CN)

(72) Inventor: **Yaqi Lyu**, Shenzhen (CN)

(**) Term: **15 Years**

(21) Appl. No.: **29/702,550**

(22) Filed: **Aug. 20, 2019**

(51) **LOC (13) Cl.** **14-03**

(52) **U.S. Cl.**
USPC **D14/239**

(58) **Field of Classification Search**
USPC D14/239, 451, 452, 136, 371, 374-377,
D14/251-253; D8/349, 252, 380, 363,
D8/373, 394; D6/407, 460, 461, 468,
D6/474, 477-479

CPC F16M 13/02; H05K 5/0204; H05K 5/0017;
A47B 97/001; A47B 2097/005; A47B
96/067; A47B 81/061

See application file for complete search history.

(56) **References Cited**

U.S. PATENT DOCUMENTS

D517,085 S *	3/2006	Deuschle	D14/451
D530,595 S *	10/2006	Lam	D8/373
D538,632 S *	3/2007	Ly Hau	D8/363
D539,125 S *	3/2007	Ly Hau	D8/373
D539,637 S *	4/2007	Ly Hau	D8/373
D553,125 S *	10/2007	Ly Hau	D14/239
D560,671 S *	1/2008	Muday	D14/451
D562,812 S *	2/2008	Sculler	D14/239
D570,852 S *	6/2008	Muday	D14/451
D586,338 S *	2/2009	Stenhouse	D14/239
D593,081 S *	5/2009	Grolle	D14/239
D594,001 S *	6/2009	Sexton	D14/239
D614,611 S *	4/2010	Leung	D14/239
D624,061 S *	9/2010	Smith	D14/239
D631,875 S *	2/2011	Skull	D14/239

D635,130 S *	3/2011	Skull	D14/239
D643,421 S *	8/2011	Russell	D14/239
D659,689 S *	5/2012	Molter	D14/239

(Continued)

OTHER PUBLICATIONS

OmniMount Tilt TV Wall Mount, www.smartneighbor.com/, [online], [site visited Sep. 29, 2020], Available from internet URL: https://www.smartneighbor.com/products/omnimount-tilt-tv-wall-mount (Year: 2020).*

(Continued)

Primary Examiner — Samantha Q Lawrence
Assistant Examiner — Holly M Rodriguez

(57) **CLAIM**

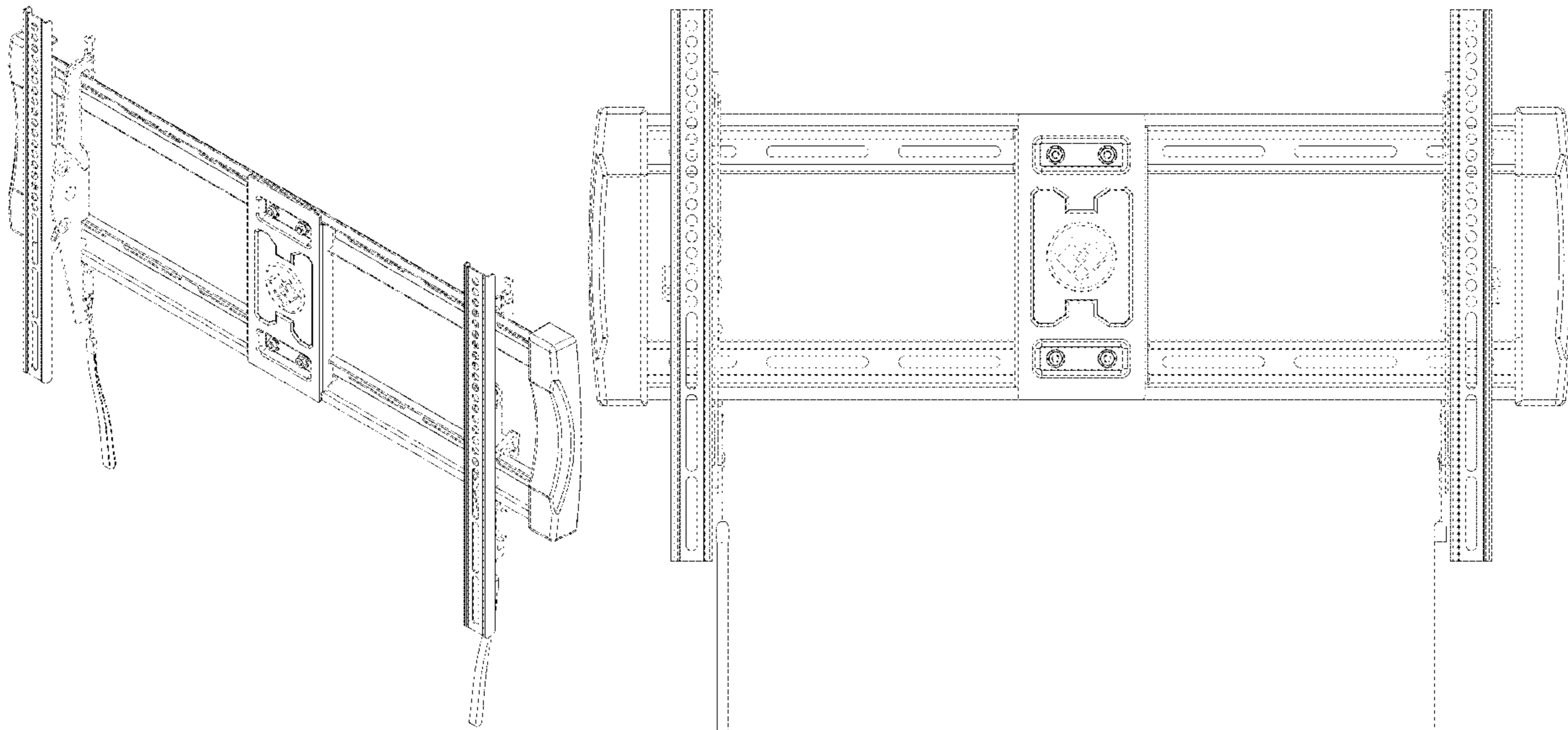
The ornamental design for a monitor wall mount apparatus, as shown and described.

DESCRIPTION

FIG. 1 is a front perspective view of the monitor wall mount apparatus;
FIG. 2 is a front elevational view of the monitor wall mount apparatus;
FIG. 3 is a rear elevational view of the monitor wall mount apparatus;
FIG. 4 is a left side elevational view of the monitor wall mount apparatus;
FIG. 5 is a right side elevational view of the monitor wall mount apparatus;
FIG. 6 is a top plan view of the monitor wall mount apparatus; and,
FIG. 7 is a bottom plan view of the monitor wall mount apparatus.

The three interlocking diamonds shown in broken lines forming no part of the claimed design is a registered trademark of PERLESMITH. The other broken lines in the drawings depict portions of the monitor wall mount apparatus that form no part of the claimed design.

1 Claim, 7 Drawing Sheets



(56)

References Cited

U.S. PATENT DOCUMENTS

8,262,044 B2 * 9/2012 Luijben F16M 11/10
248/276.1
D671,922 S * 12/2012 Sexton D14/239
D691,121 S * 10/2013 Luijben D14/239
8,746,642 B2 * 6/2014 Molter F16M 13/02
248/299.1
D715,276 S * 10/2014 Davis D14/239
9,829,151 B1 * 11/2017 Stenhouse F16M 13/02
D837,225 S * 1/2019 Russell D14/452
D842,283 S * 3/2019 Pei D14/239
D848,989 S * 5/2019 Pei D14/239
D852,174 S * 6/2019 Pei D14/239
D877,743 S * 3/2020 Pei D14/451
D888,027 S * 6/2020 Pei D14/239
2005/0167549 A1 * 8/2005 Ligertwood F16M 11/22
248/122.1
2007/0041150 A1 * 2/2007 Short F16M 11/10
361/679.22
2009/0184221 A1 * 7/2009 Sculler F16M 13/02
248/221.11

2010/0309615 A1 * 12/2010 Grey F16M 11/24
361/679.01
2011/0174939 A1 * 7/2011 Taylor F16M 11/10
248/201
2012/0002393 A1 * 1/2012 Stanek F16M 11/24
361/825
2019/0245259 A1 * 8/2019 Barkan F16M 11/2014
2020/0132245 A1 * 4/2020 Runger F16M 13/02
2020/0208774 A1 * 7/2020 Pei F16M 13/022

OTHER PUBLICATIONS

Rocketfish, www.bestbuy.com, [online], [site visited Sep. 29, 2020], Available from internet URL: <https://www.bestbuy.com/site/rocketfish-tilting-tv-wall-mount-for-most-32-70-tvs-black/9881868.p?skuId=9881868> (Year: 2010).*

PERLESMITH Tilting TV Wall Mount Bracket, www.amazon.com, [online], [site visited Sep. 25, 2020], Available from internet URL: <https://www.amazon.com/PERLESMITH-Tilting-Bracket-Curved-Screen/dp/B07Y5DWJLL> (Year: 2019).*

* cited by examiner

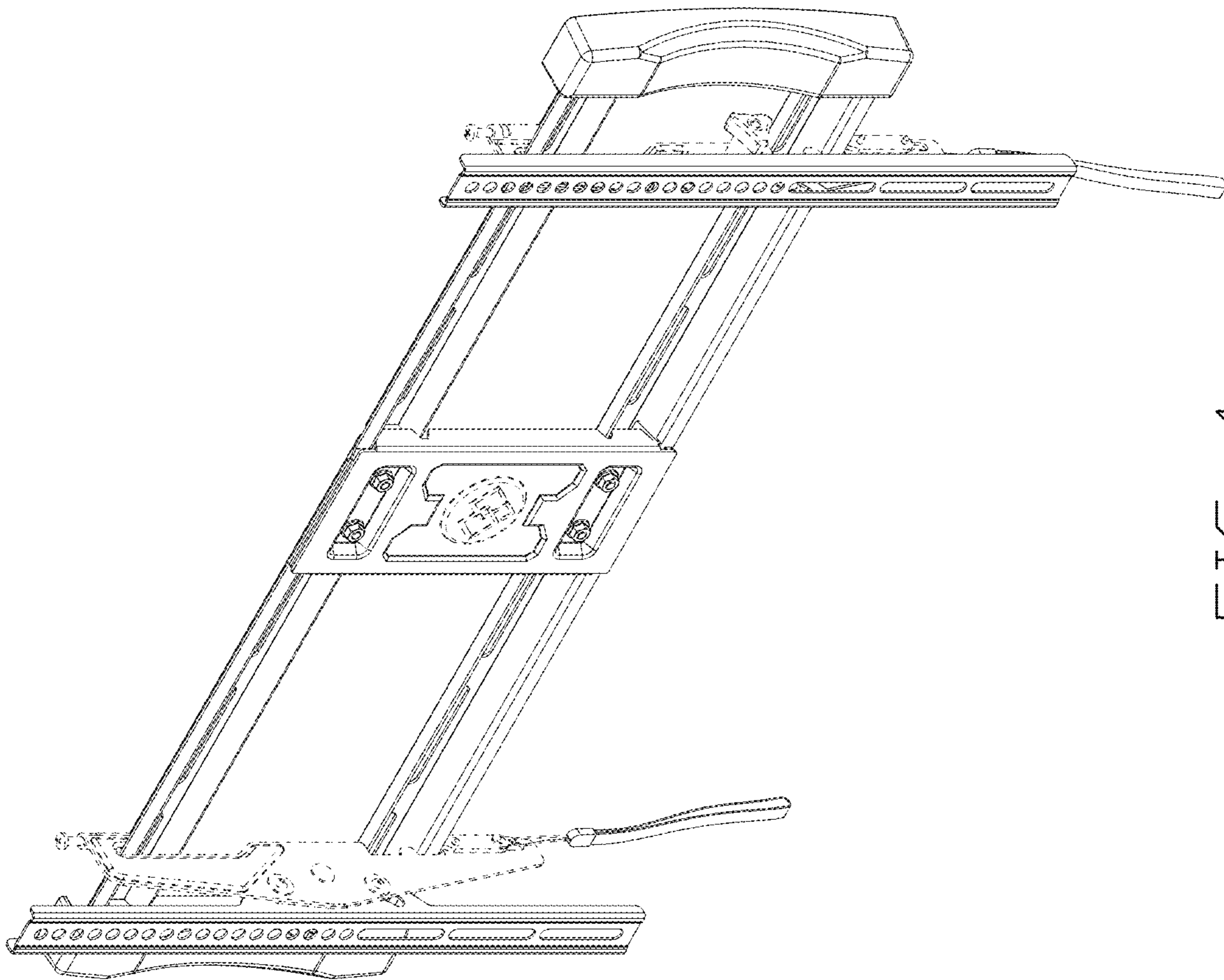


FIG. 1

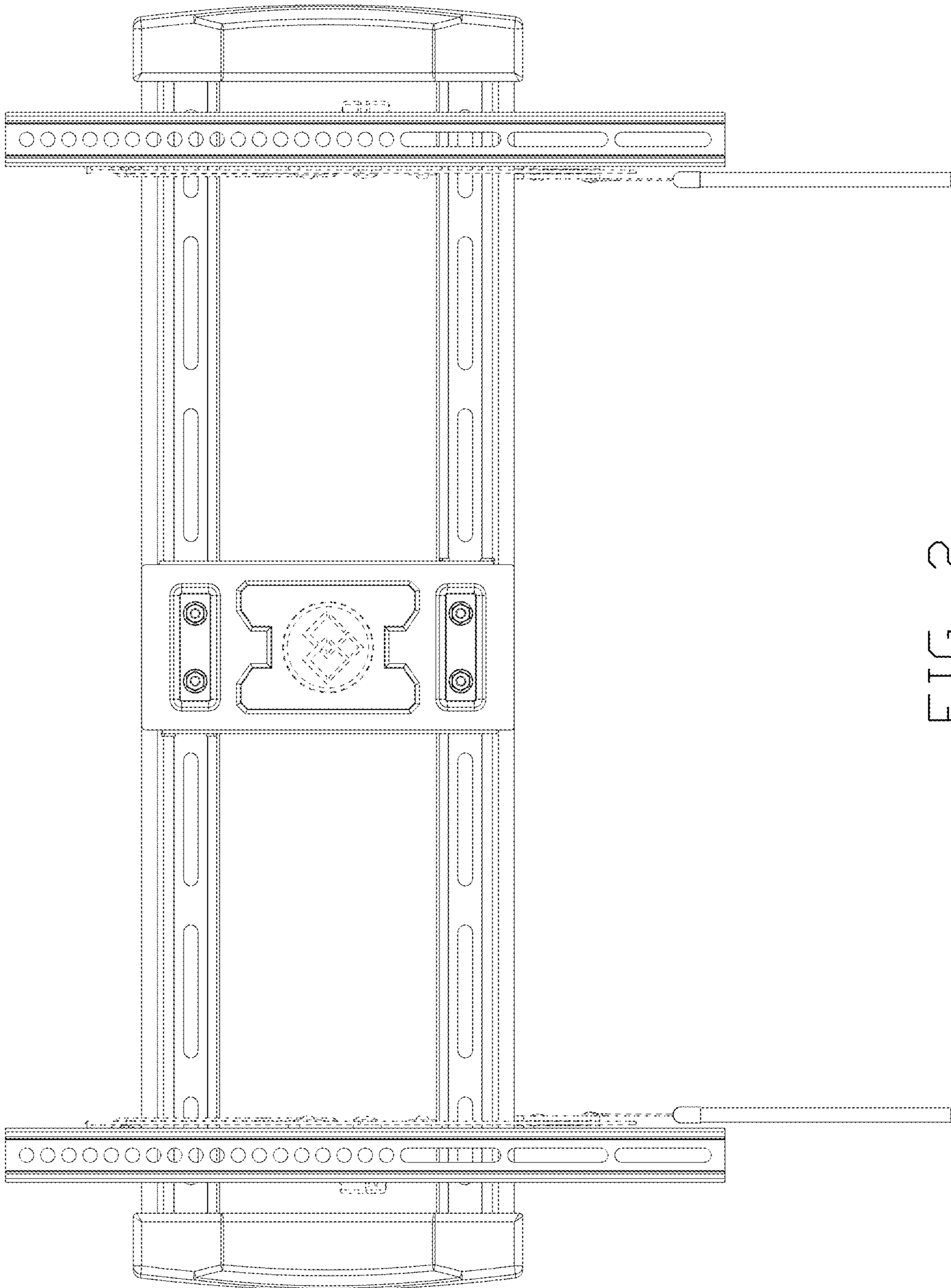


FIG. 2

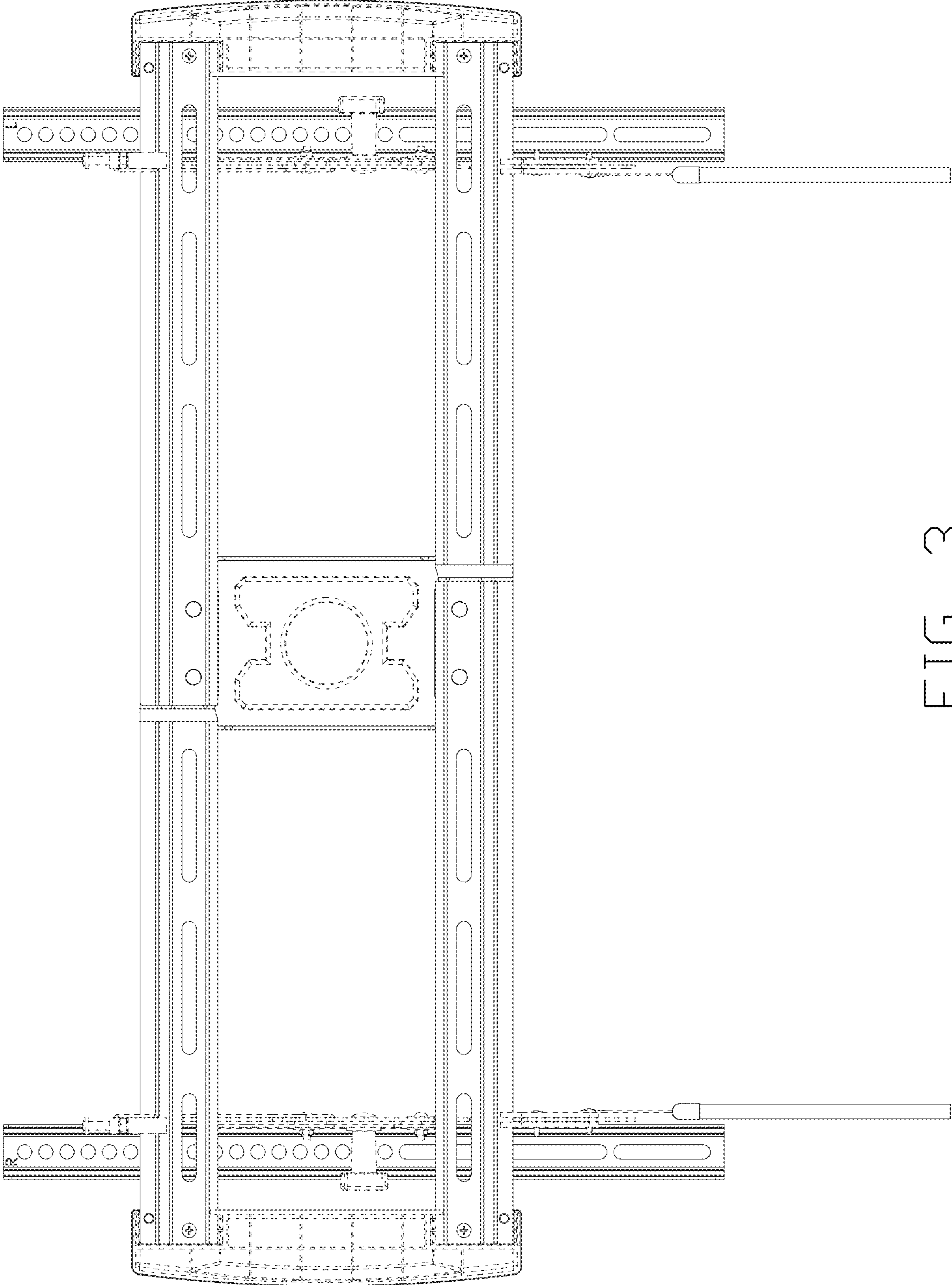


FIG. 3

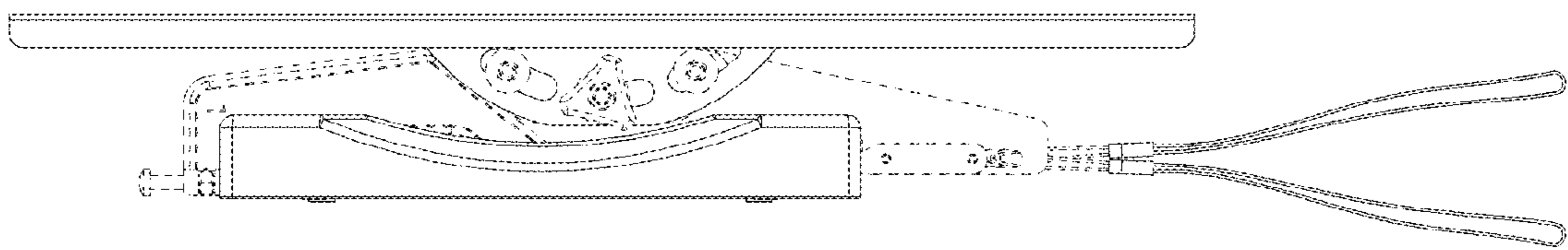


FIG. 4

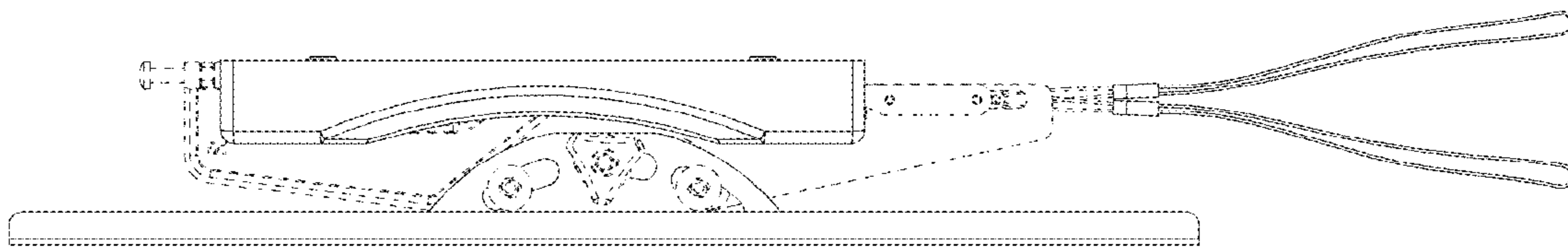


FIG. 5

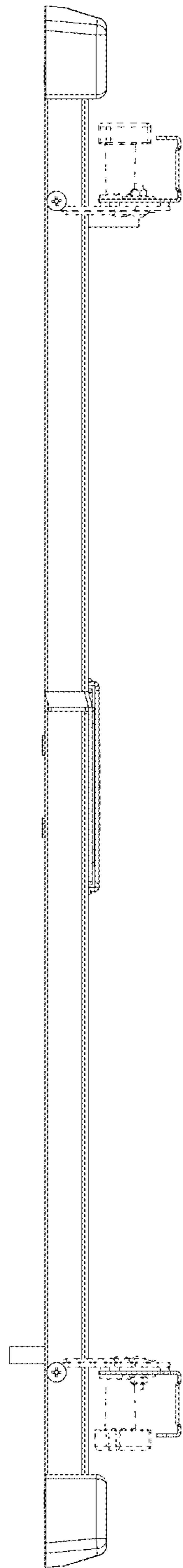


FIG. 6

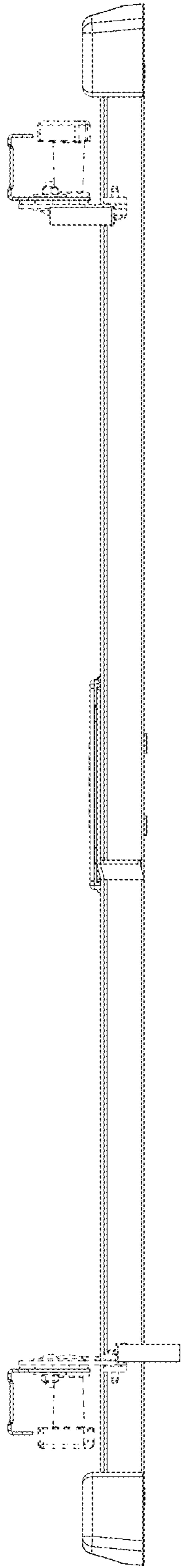


FIG. 7