



US00D911316S

(12) **United States Design Patent**
Bhat et al.

(10) **Patent No.:** **US D911,316 S**
(45) **Date of Patent:** **** Feb. 23, 2021**

(54) **HEADSET**

(71) Applicant: **HEWLETT-PACKARD DEVELOPMENT COMPANY, L.P.**,
Spring, TX (US)

(72) Inventors: **Siddhartha Bhat**, Palo Alto, CA (US);
Norihiko Sakatsume, Palo Alto, CA (US);
Glenn A. Wong, Palo Alto, CA (US);
Arthur Harvey Zarnowitz, Palo Alto, CA (US)

(73) Assignee: **Hewlett-Packard Development Company, L.P.**, Spring, TX (US)

(**) Term: **15 Years**

(21) Appl. No.: **29/691,724**

(22) Filed: **May 17, 2019**

(51) **LOC (13) Cl.** **14-01**

(52) **U.S. Cl.**
USPC **D14/223**

(58) **Field of Classification Search**
USPC D14/223, 205, 206; D24/174; 128/864,
128/865, 866; 181/129, 130, 135;
379/430, 431; 381/380, 381, 322-324,
381/330; 455/90.3, 575, 1, 569.1
CPC H04R 1/10; H04R 25/00; H04R 1/1016;
H04R 1/1066; H04R 5/033; H04R
5/0335; H04R 1/1091; H04R 1/1058;
H04R 1/105; H04R 1/1083
See application file for complete search history.

(56) **References Cited**

U.S. PATENT DOCUMENTS

D614,168 S * 4/2010 Rogers D14/206
D643,417 S * 8/2011 Lee D14/223

D653,235 S * 1/2012 McManigal D14/205
D660,826 S * 5/2012 Brunner D14/223
8,275,166 B2 * 9/2012 Wu H04R 25/00
381/328
D670,275 S * 11/2012 Tompkin D14/223
D673,531 S * 1/2013 Lee D14/223
D676,026 S * 2/2013 Lee D14/223
D685,770 S * 7/2013 Lee D14/223
D700,905 S * 3/2014 Pavitsich D14/223
D711,858 S * 8/2014 Yang D14/223
D782,442 S * 3/2017 Chen D14/205
D844,586 S * 4/2019 Sweet D14/205

* cited by examiner

Primary Examiner — Katie Jane Stofko

(74) *Attorney, Agent, or Firm* — Perry + Currier Inc

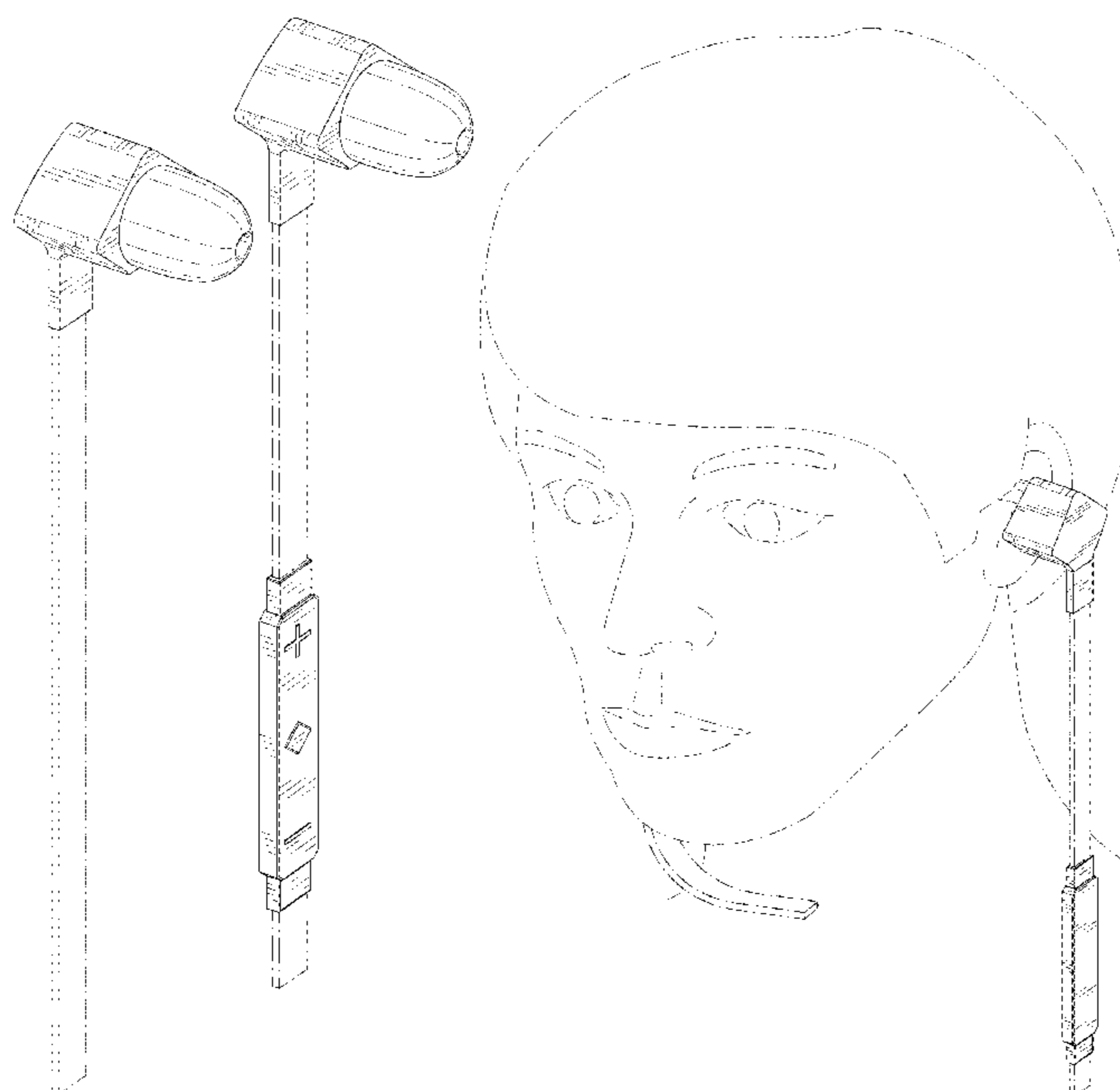
(57) **CLAIM**

The ornamental design for a headset, as shown and described.

DESCRIPTION

FIG. 1 is a top, front, left side perspective view of a headset; FIG. 2 is a left side view of the headset of FIG. 1; FIG. 3 is a front view of the headset of FIG. 1; FIG. 4 is a right side view of the headset of FIG. 1; FIG. 5 is a rear view of the headset of FIG. 1; FIG. 6 is a top view of the headset of FIG. 1; FIG. 7 is a bottom view of the headset of FIG. 1; and, FIG. 8 is a top, rear, right side perspective view of the headset of FIG. 1 shown in an environment of use. The broken lines shown in FIGS. 1-5 and 7 illustrate portions of the headset that form no part of the claimed design. The broken lines illustrating the head and neck in FIG. 8 are environment, while the remaining broken lines in FIG. 8 illustrate portions of the headset that form no part of the claimed design.

1 Claim, 5 Drawing Sheets



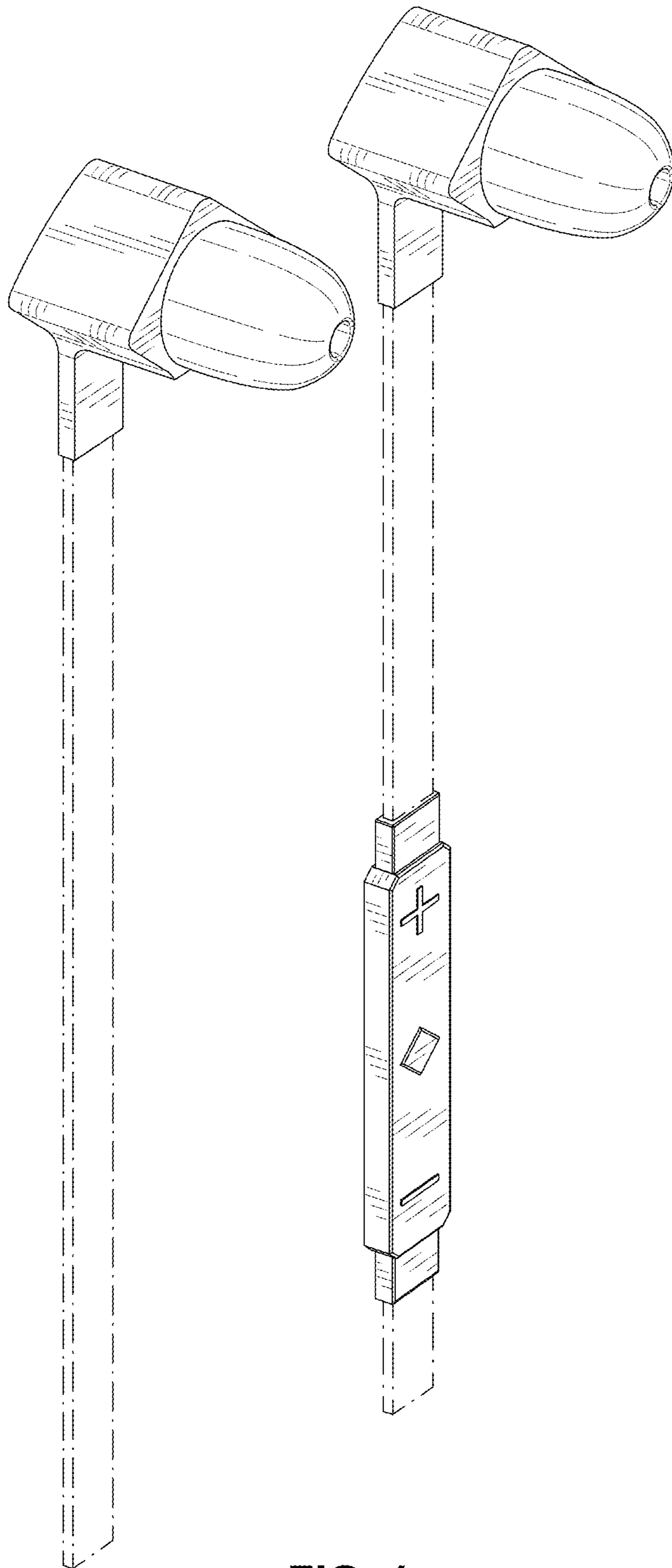


FIG. 1

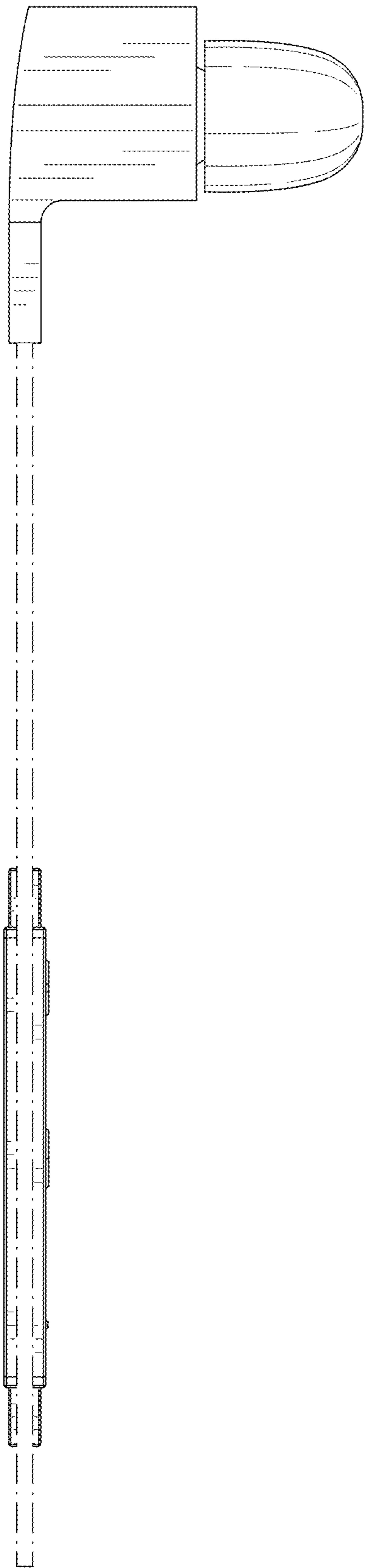


FIG. 2

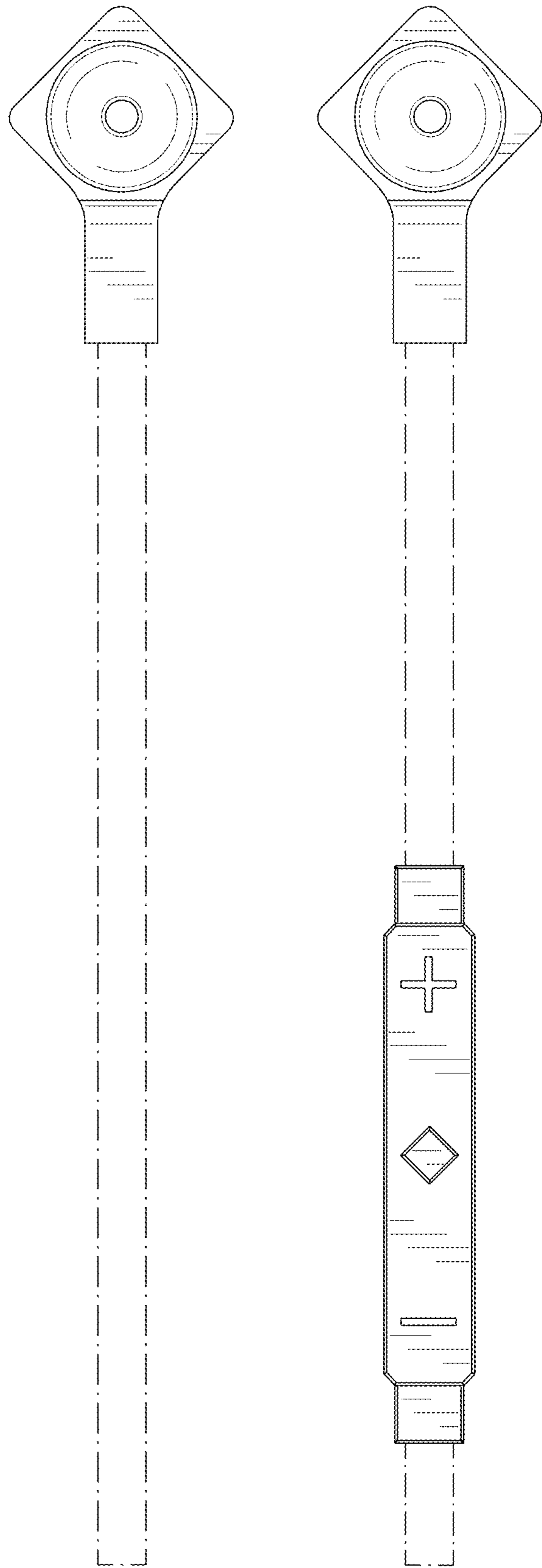


FIG. 3

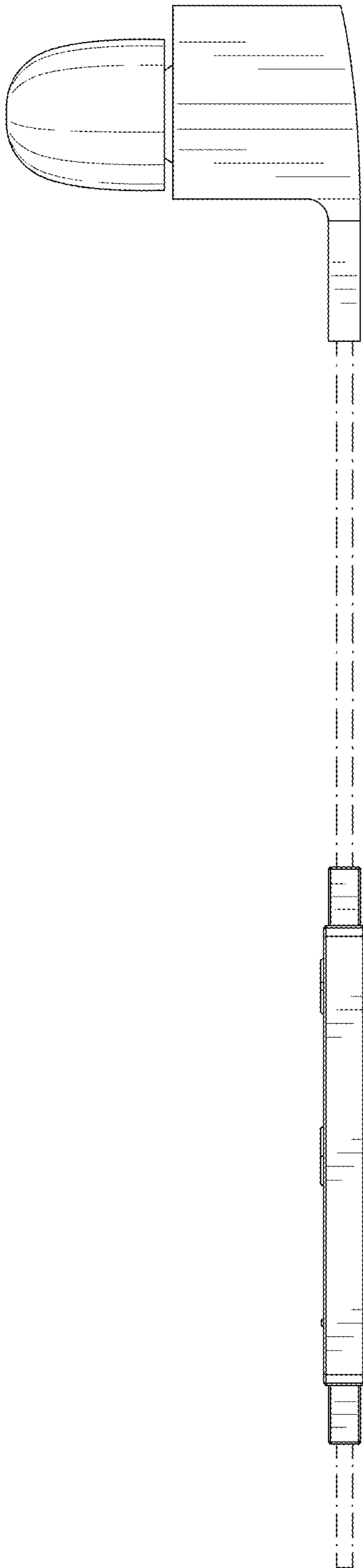


FIG. 4

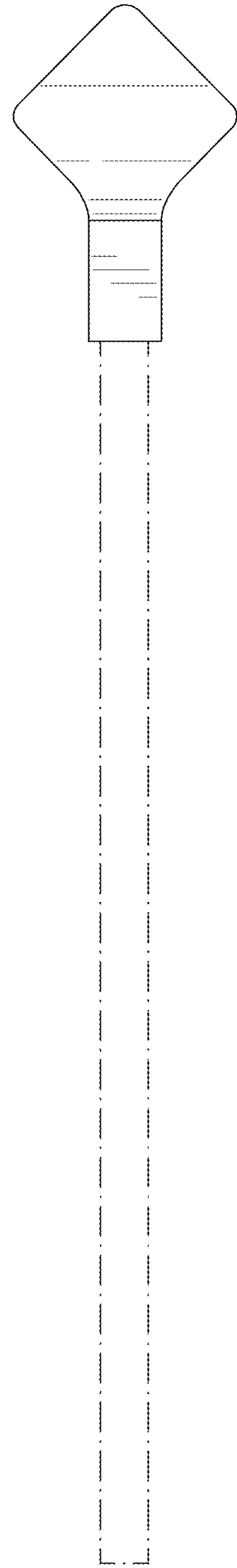
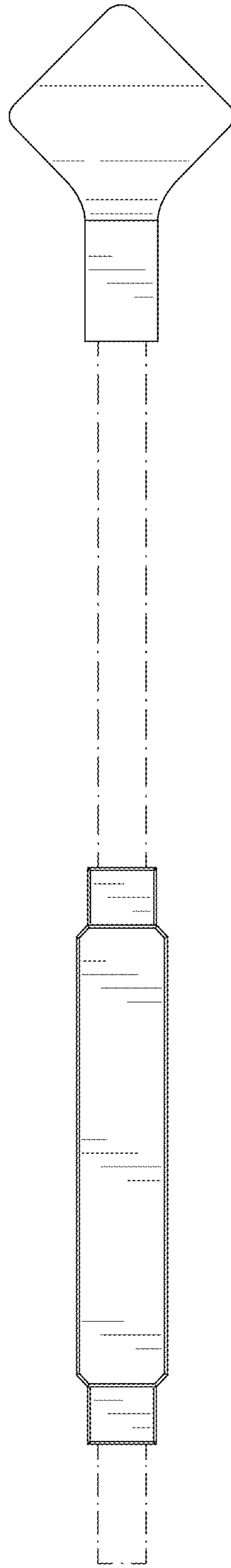


FIG. 5

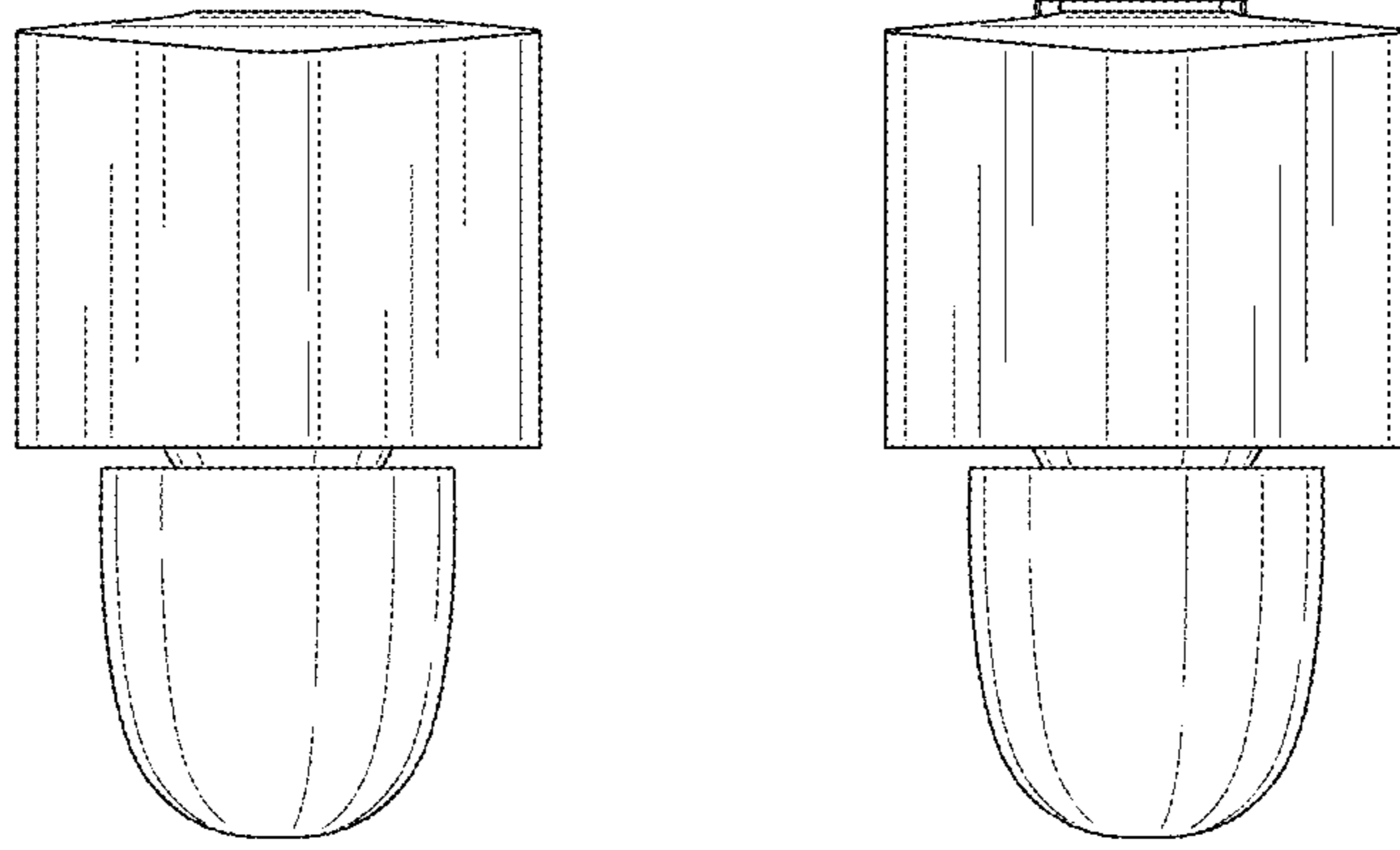


FIG. 6

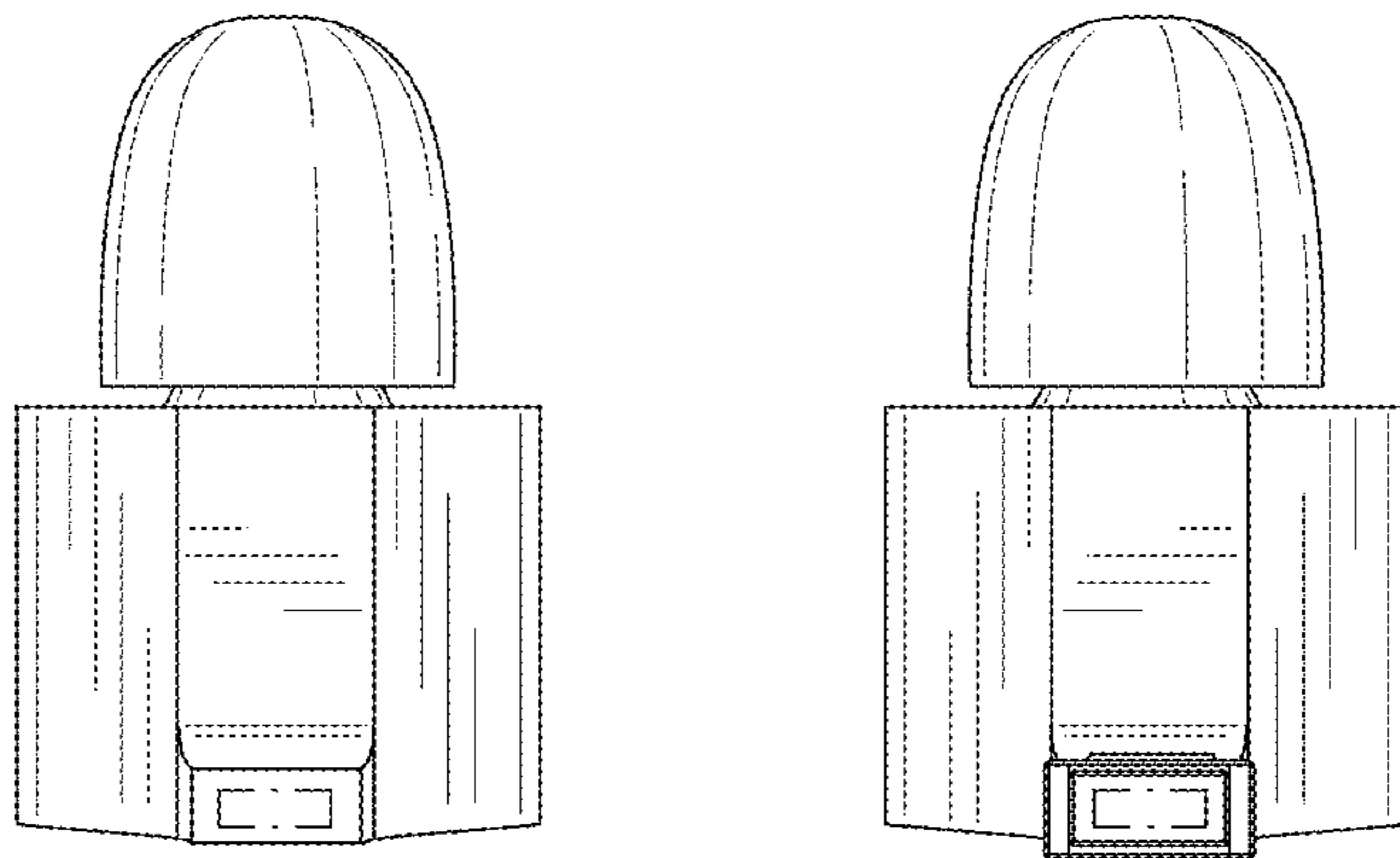


FIG. 7

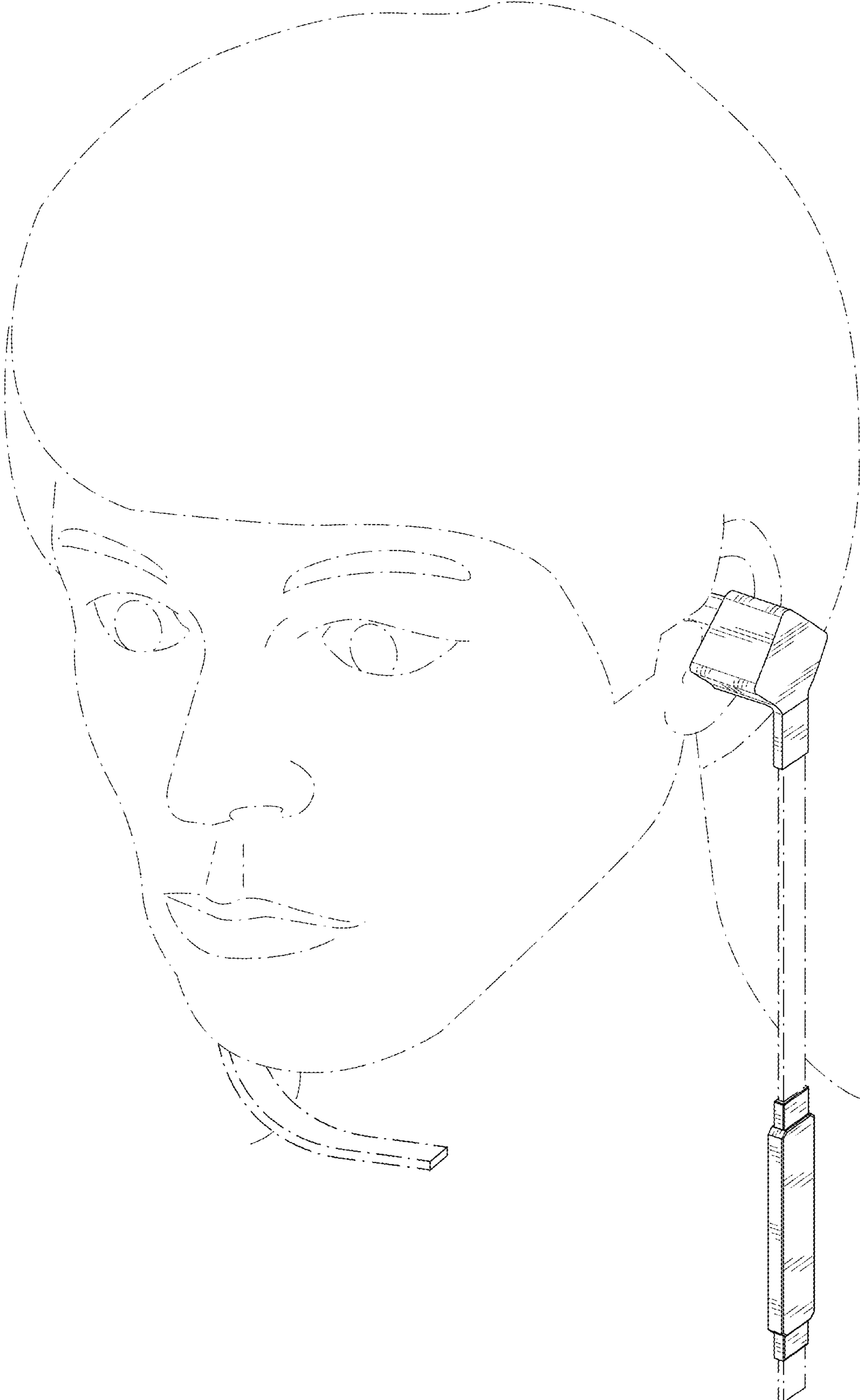


FIG. 8