



US00D911315S

(12) **United States Design Patent**
Hutchison et al.

(10) **Patent No.:** **US D911,315 S**

(45) **Date of Patent:** **** Feb. 23, 2021**

(54) **HEADPHONE**

(71) Applicant: **RHA Technologies Limited**, Glasgow (GB)

(72) Inventors: **Kyle Hutchison**, Glasgow (GB); **Jo-Yun Wang**, Glasgow (GB); **Sam Prentice**, Glasgow (GB); **David Keating**, Renfrew (GB); **Heather Rebecca Guyan**, Glasgow (GB)

(73) Assignee: **RHA Technologies Limited**, Glasgow (GB)

(**) Term: **15 Years**

(21) Appl. No.: **29/686,064**

(22) Filed: **Apr. 2, 2019**

(30) **Foreign Application Priority Data**

Oct. 5, 2018 (GB) 6045711

(51) **LOC (13) Cl.** **14-01**

(52) **U.S. Cl.**
USPC **D14/223**

(58) **Field of Classification Search**
USPC D14/223, 205; D24/174; 128/864, 865, 128/866; 381/380, 381, 322, 330, 324, 381/323; 455/90.3, 575.1, 569.1
CPC H04R 1/10; H04R 25/00; H04R 1/1016; H04R 1/1066; H04R 5/033; H04R 5/0335; H04R 1/1091; H04R 1/1058; H04R 1/105; H04R 1/1083
See application file for complete search history.

(56) **References Cited**

U.S. PATENT DOCUMENTS

D430,146 S * 8/2000 Lin D14/223
D533,868 S * 12/2006 Koizumi D14/223
D554,109 S * 10/2007 Ledbetter D14/223

D555,152 S * 11/2007 Wang D14/223
D556,741 S * 12/2007 Yeo D14/205
D557,689 S * 12/2007 Huang D14/223
D572,242 S * 7/2008 Yang D14/205
D572,247 S * 7/2008 Andre D14/315
D573,977 S * 7/2008 Ledbetter D14/205
D575,269 S * 8/2008 Ledbetter D14/205
D578,518 S * 10/2008 Ewert D14/223
D587,685 S * 3/2009 Densho D14/206
D589,493 S * 3/2009 Densho D14/206
D589,498 S * 3/2009 Komiyama D14/223

(Continued)

FOREIGN PATENT DOCUMENTS

CN 305895913 * 7/2020
CN 305981107 * 8/2020

(Continued)

Primary Examiner — Paula Allen Greene

(74) *Attorney, Agent, or Firm* — Shackelford, Bowen, McKinley & Norton, LLP

(57) **CLAIM**

The ornamental design for a headphone, as shown and described.

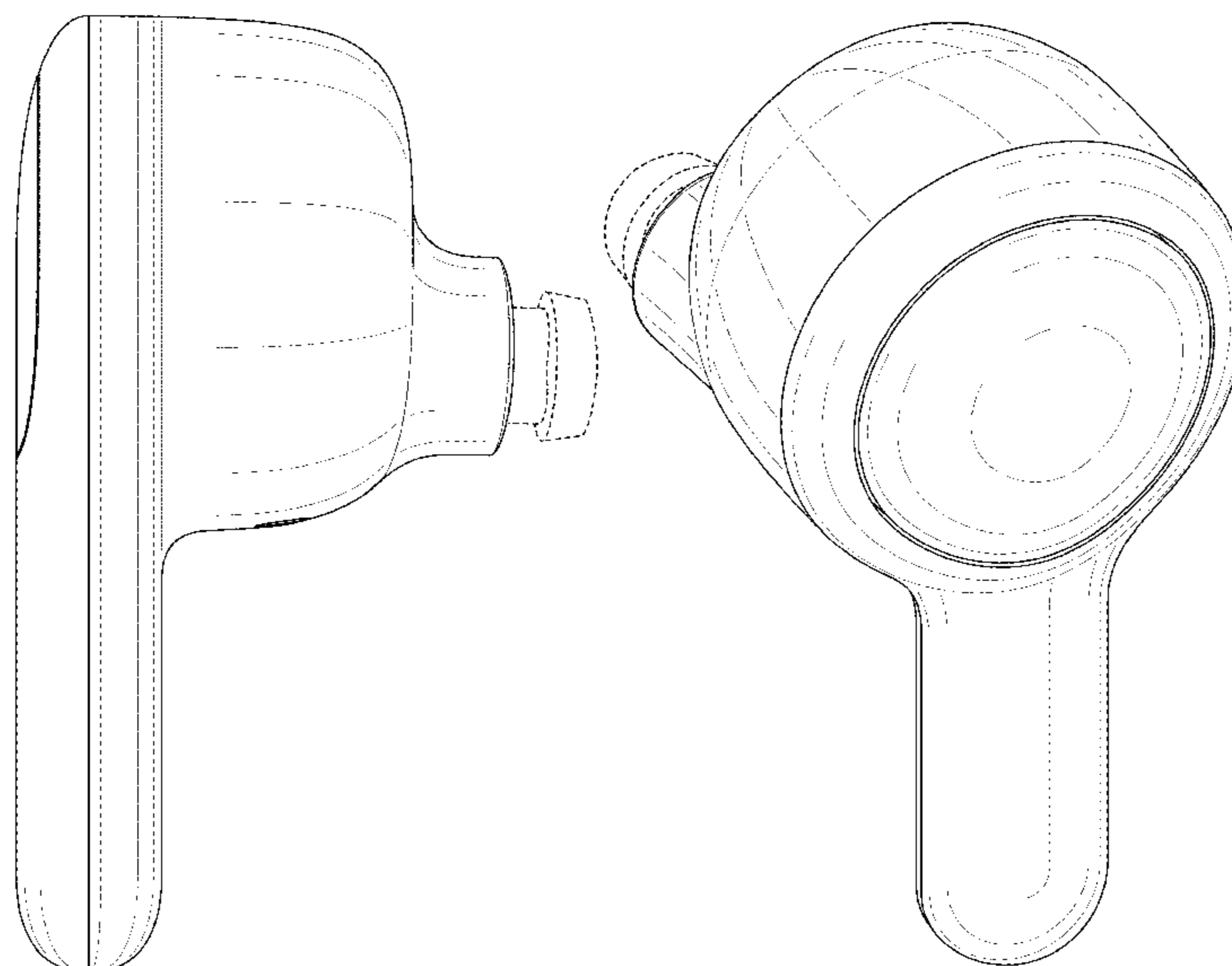
DESCRIPTION

FIG. 1 is a front view of a left ear of a headphone in accordance with the design, the right ear of the headphone is a mirror image;
FIG. 2 is a front perspective view thereof;
FIG. 3 is a top view thereof;
FIG. 4 is a back perspective view thereof; and,
FIG. 5 is a right side view thereof.

A second embodiment is provided, the second embodiment being for the right ear and being a mirror image of the first embodiment shown in FIGS. 1-5.

Broken lines in the drawings depict portions of the headphone that are for illustrative purposes only; the broken lines form no part of the claimed design.

1 Claim, 5 Drawing Sheets



(56)

References Cited

U.S. PATENT DOCUMENTS

D590,371 S * 4/2009 Leinvuo D14/205
 D593,537 S * 6/2009 Arimoto D14/205
 D641,738 S * 7/2011 Perez D14/223
 D652,823 S * 1/2012 Chen H04R 25/00
 D14/223
 D657,780 S * 4/2012 Dahlberg D14/223
 D660,290 S * 5/2012 Weedon D14/223
 D660,292 S * 5/2012 Rautiainen D14/223
 D662,493 S * 6/2012 Chen D14/223
 D666,581 S * 9/2012 Perez D14/223
 D671,531 S * 11/2012 Kim D14/223
 D681,015 S * 4/2013 Akana H04R 1/1016
 D14/223
 8,447,061 B2 * 5/2013 Lee H04R 1/1091
 381/181
 D695,721 S * 12/2013 Thompson D14/223
 8,712,087 B2 * 4/2014 Ozawa H04R 1/345
 181/130
 D707,206 S * 6/2014 Akana H04R 1/10
 D14/223
 D711,857 S * 8/2014 Burgett D14/223
 D718,284 S * 11/2014 Shibusawa D14/223
 D730,876 S * 6/2015 Dahlberg D14/223
 D732,008 S * 6/2015 Akana H04R 1/10
 D14/223
 D733,101 S * 6/2015 Pi D14/223
 D733,689 S * 7/2015 Narita D14/223
 D738,864 S * 9/2015 Lee D14/223
 D741,287 S * 10/2015 Harata D14/205
 D757,682 S * 5/2016 Perez D14/205
 D760,202 S * 6/2016 Hsieh D14/223
 D770,412 S * 11/2016 Son D14/205
 D784,962 S * 4/2017 Yang D14/223
 D801,314 S * 10/2017 Akana D14/223

D820,809 S * 6/2018 Akana D14/205
 D820,810 S * 6/2018 Levine D14/205
 D822,009 S * 7/2018 Matoba D14/223
 D830,336 S * 10/2018 Cai D14/205
 D832,824 S * 11/2018 Kim D14/223
 D847,125 S * 4/2019 Akana D14/223
 D861,647 S * 10/2019 Chen D14/223
 D863,531 S * 10/2019 Jackson D24/110
 D869,445 S * 12/2019 Hu D14/223
 D870,451 S * 12/2019 Birger D3/201
 D877,722 S * 3/2020 Yang D14/223
 D878,337 S * 3/2020 Yang D14/223
 D882,553 S * 4/2020 Wu D14/223
 D883,960 S * 5/2020 Du D14/223
 D886,455 S * 6/2020 Williamson D3/294
 D887,396 S * 6/2020 Wang D14/223
 D888,691 S * 6/2020 Liu D14/223
 D889,436 S * 7/2020 Zhang D14/223
 D890,138 S * 7/2020 Peng D14/223
 D890,724 S * 7/2020 Li D14/223
 D893,462 S * 8/2020 Liu D14/223
 D895,579 S * 9/2020 Yang D14/223
 D895,582 S * 9/2020 Wu D14/223
 D896,207 S * 9/2020 He D14/223
 2012/0237074 A1 * 9/2012 Aase H04R 1/1075
 381/380
 2013/0343595 A1 * 12/2013 Zorkendorfer H04R 1/1016
 381/380
 2015/0382100 A1 * 12/2015 Azmi H04R 1/2811
 381/380
 2017/0164087 A1 * 6/2017 Kurtz H04R 1/1066

FOREIGN PATENT DOCUMENTS

EM 007723721-0005 * 2/2020
 EM 008124283-0002 * 8/2020
 EM 008147557-0002 * 8/2020

* cited by examiner

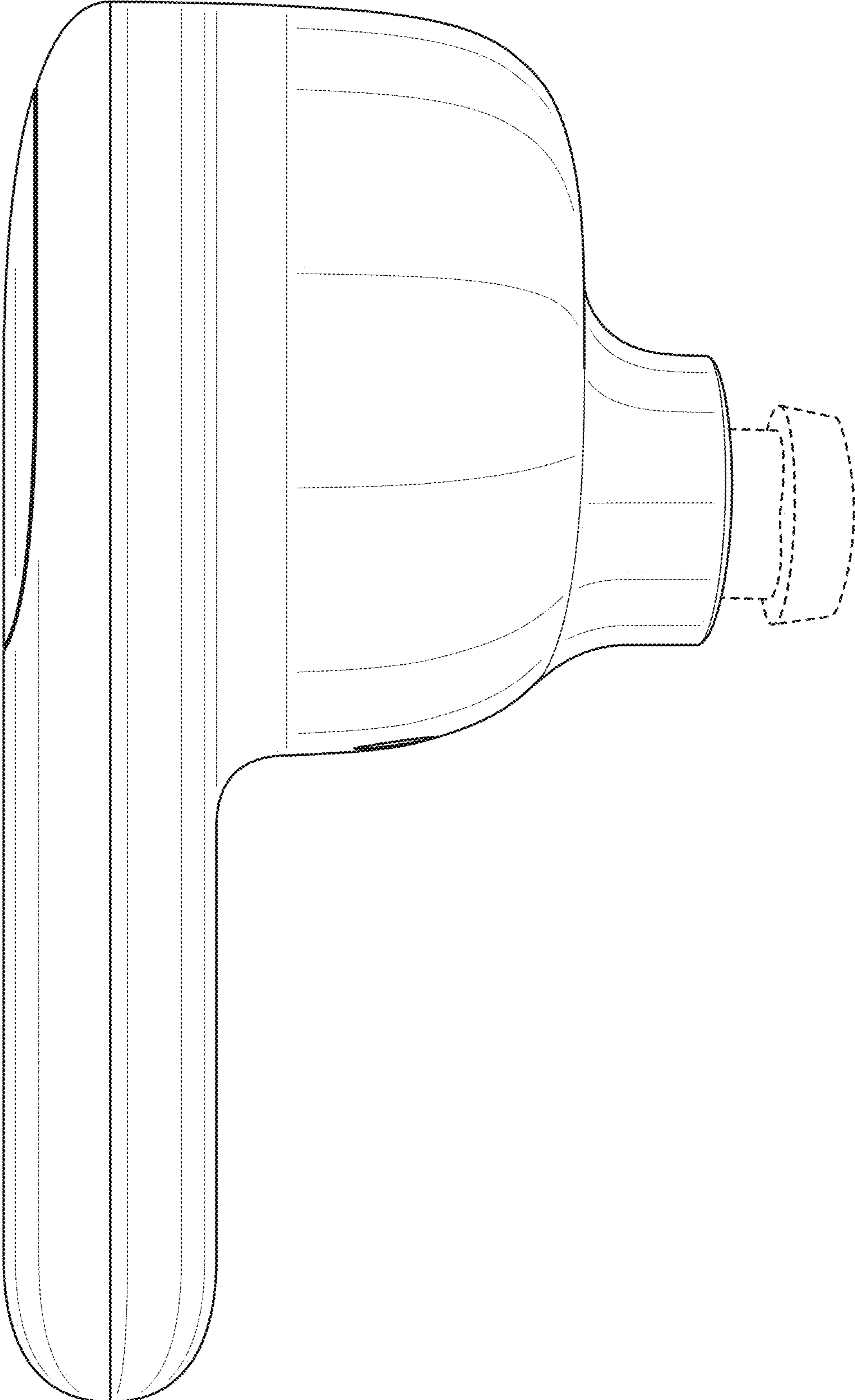


FIGURE 1

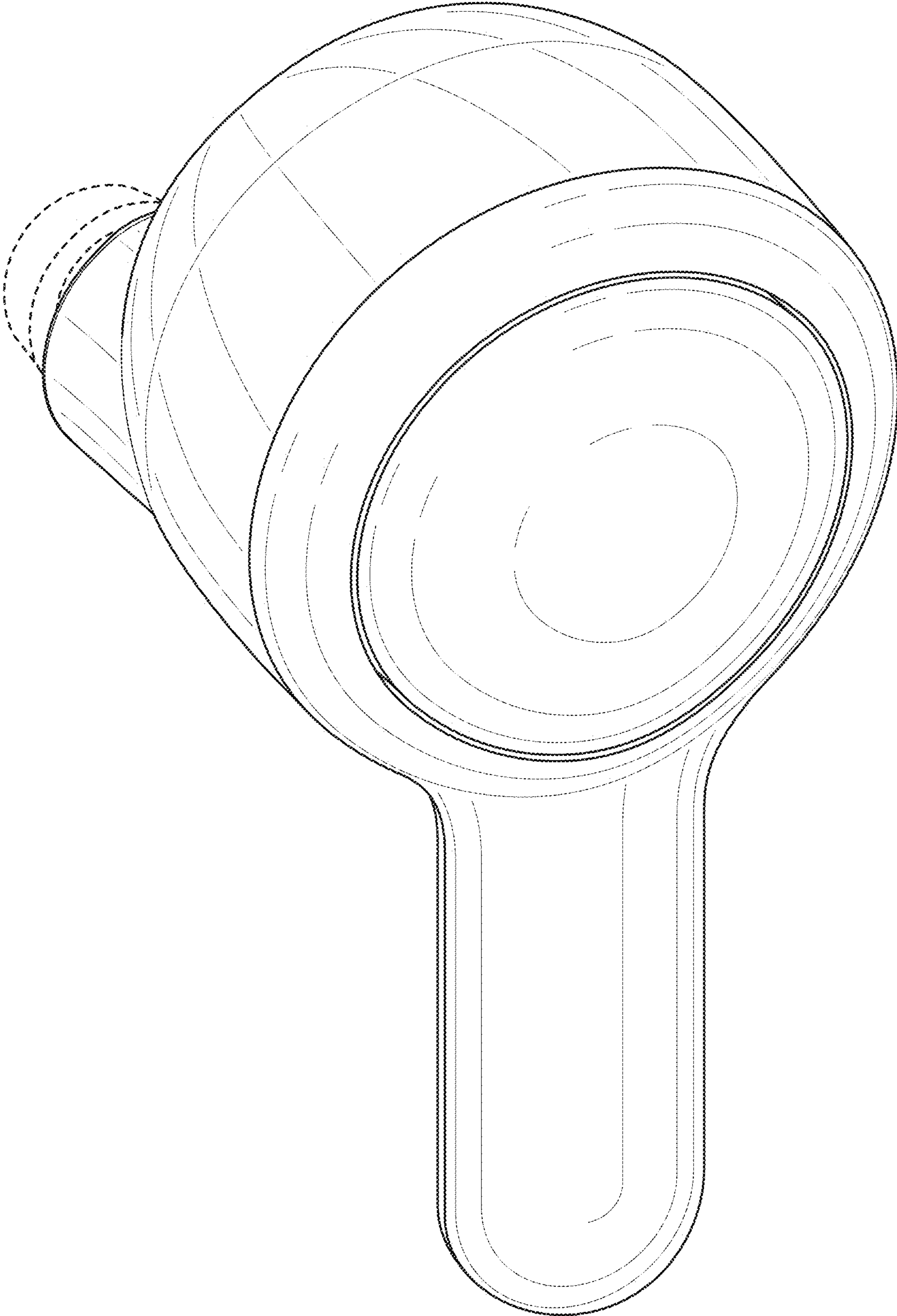


FIGURE 2

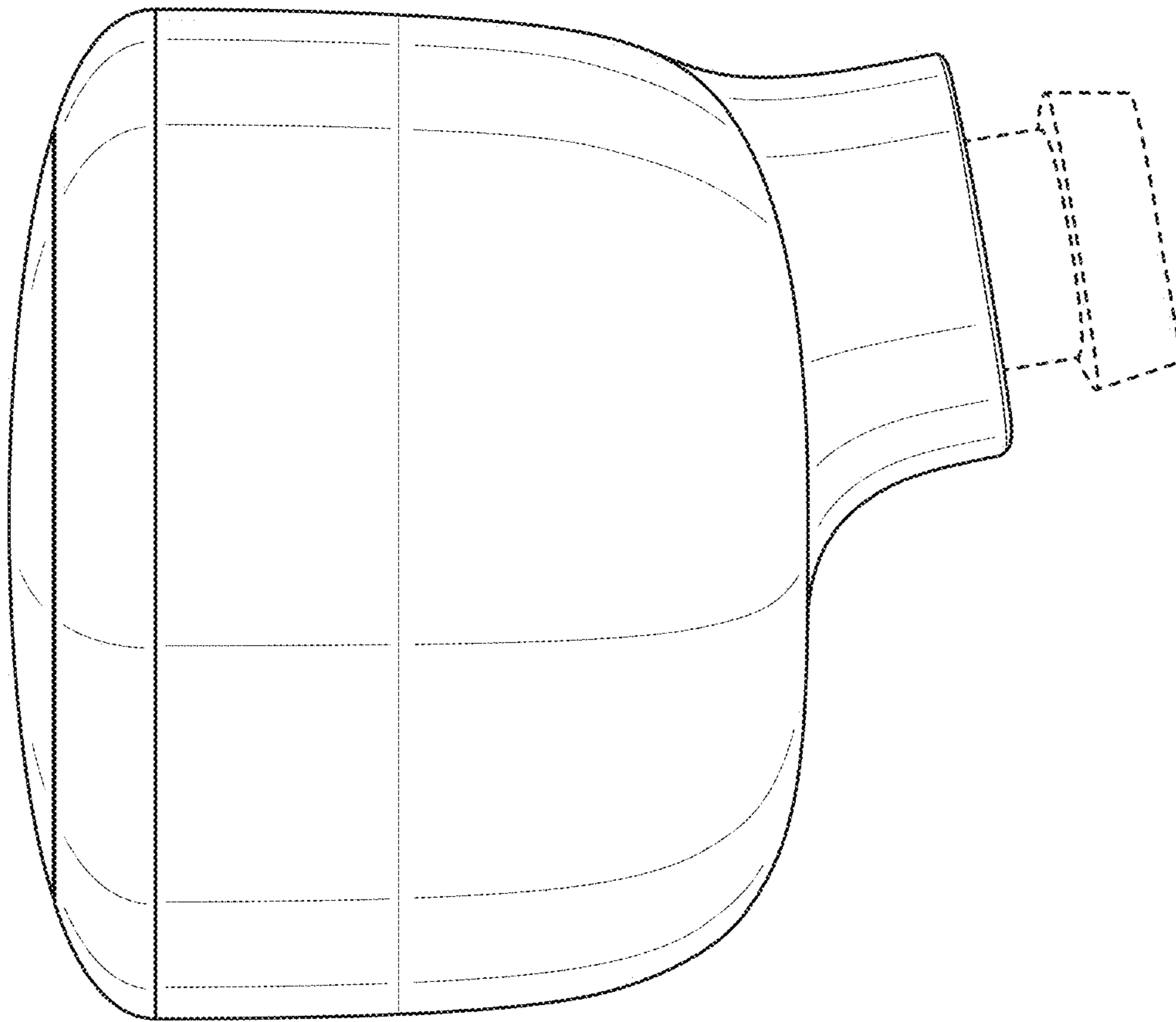


FIGURE 3

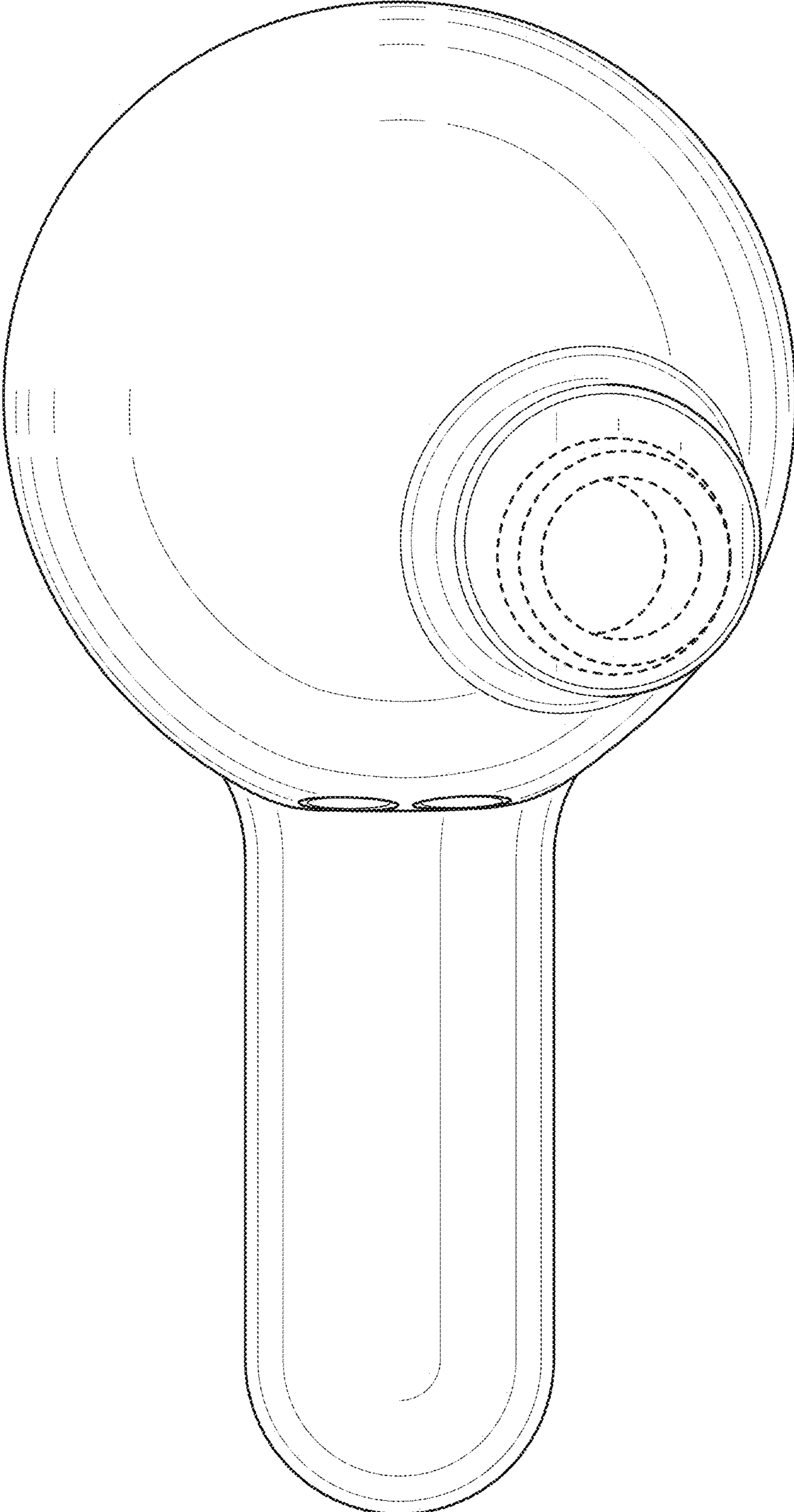


FIGURE 4

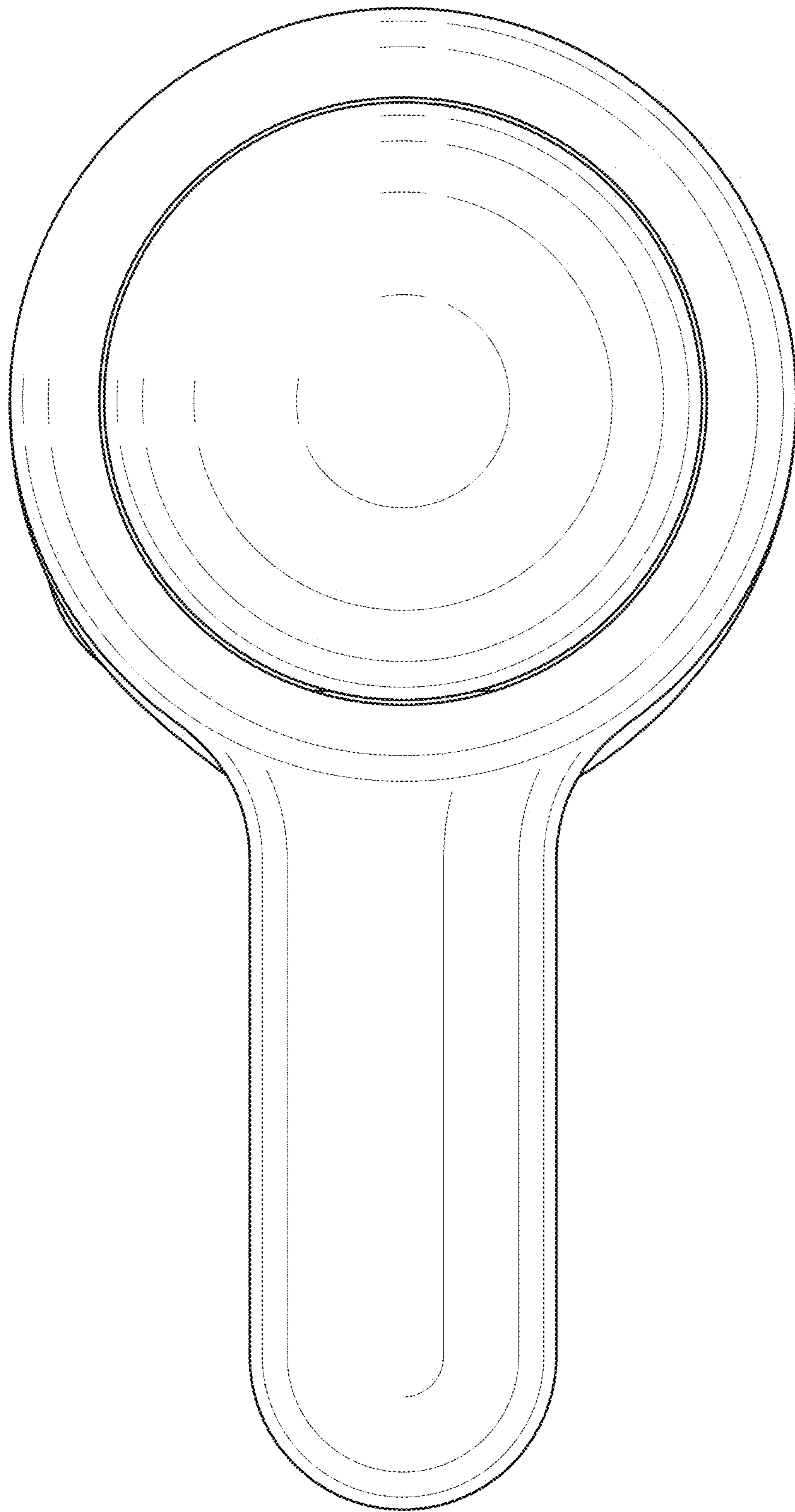


FIGURE 5