



US00D911314S

(12) **United States Design Patent** (10) **Patent No.:** **US D911,314 S**  
**Telle** (45) **Date of Patent:** **\*\* \*Feb. 23, 2021**

(54) **ROUND SPEAKER GRILL WITH HUB SPOKES**

(71) Applicant: **Jose Luis Telle**, Miami, FL (US)

(72) Inventor: **Jose Luis Telle**, Miami, FL (US)

(\*) Notice: This patent is subject to a terminal disclaimer.

(\*\*) Term: **15 Years**

(21) Appl. No.: **29/692,078**

(22) Filed: **May 22, 2019**

(51) **LOC (13) Cl.** ..... **14-01**

(52) **U.S. Cl.**  
USPC ..... **D14/219**; D14/221

(58) **Field of Classification Search**  
USPC ..... D14/204, 210, 215-217, 219, 221, 222, D14/224

CPC ..... B60R 11/0217; G06F 1/1688; G10K 9/22; G10K 11/004; H03F 1/327; H04M 1/03; H04M 1/035; H04N 5/642; H04N 21/4852; H04R 1/02; H04R 1/06; H04R 1/021; H04R 1/025; H04R 1/026; H04R 1/028; H04R 1/105; H04R 1/323; H04R 1/403; H04R 1/2803; H04R 1/2834; H04R 5/02; H04R 7/20; H04R 9/06; H04R 9/025; H04R 2201/021; H04R 2400/00; H04R 2400/07; H04R 2499/11; H04R 2499/13; H04R 2499/15; H04S 3/00; H04S 7/30

See application file for complete search history.

(56) **References Cited**

U.S. PATENT DOCUMENTS

D472,545 S \* 4/2003 Iijima ..... D14/219  
D478,572 S \* 8/2003 Dawson ..... D14/219

D480,710 S \* 10/2003 Rivera ..... D14/219  
D488,801 S \* 4/2004 Shindo ..... D14/216  
D488,802 S \* 4/2004 Uehara ..... D14/216  
D489,359 S \* 5/2004 Hakoda ..... D14/215  
D493,161 S \* 7/2004 Iijima ..... D14/216  
D493,445 S \* 7/2004 Iijima ..... D14/216  
D570,336 S \* 6/2008 Suzuki ..... D14/224  
D572,240 S \* 7/2008 Nakane ..... D14/219  
D741,841 S \* 10/2015 Fuller ..... D14/224  
D856,981 S \* 8/2019 Bullimore ..... D14/221  
D858,487 S \* 9/2019 Proni ..... D14/219  
D876,397 S \* 2/2020 Susterman ..... D14/219  
D893,459 S \* 8/2020 Lum ..... D14/219  
D897,311 S \* 9/2020 Matsubayashi ..... D14/216  
D897,312 S \* 9/2020 Matsubayashi ..... D14/216  
D897,316 S \* 9/2020 Telle ..... D14/219  
D897,317 S \* 9/2020 Telle ..... D14/219  
D898,707 S \* 10/2020 Burkhardt ..... D14/221

\* cited by examiner

*Primary Examiner* — Keli L Hill

(74) *Attorney, Agent, or Firm* — Sanchelima & Associates, P.A.; Jesus Sanchelima; Christian Sanchelima

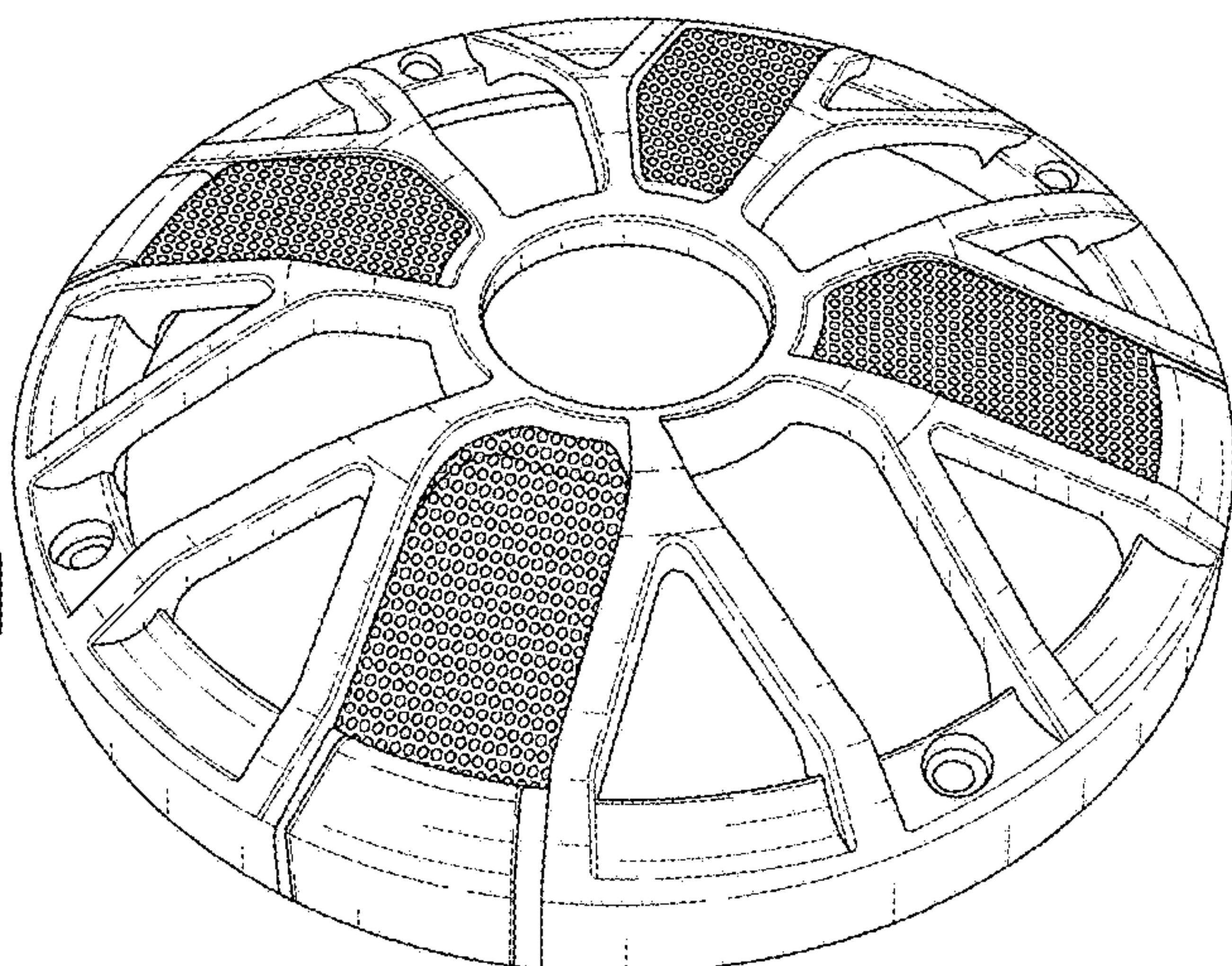
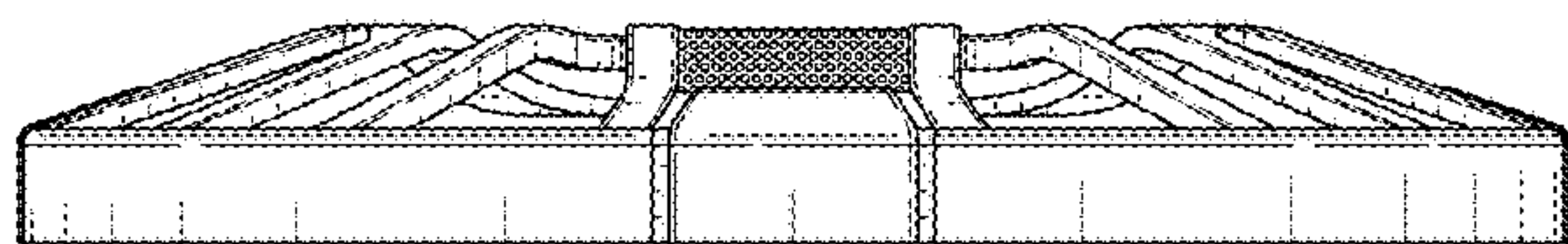
(57) **CLAIM**

The ornamental design for a round speaker grill with hub spokes, as shown and described.

**DESCRIPTION**

FIG. 1 is a top view of a round speaker grill with hub spokes showing my new design;  
FIG. 2 is a bottom view thereof;  
FIG. 3 is a side view thereof;  
FIG. 4 is the other side view thereof; and,  
FIG. 5 is an isometric view thereof showing my new design.

**1 Claim, 3 Drawing Sheets**





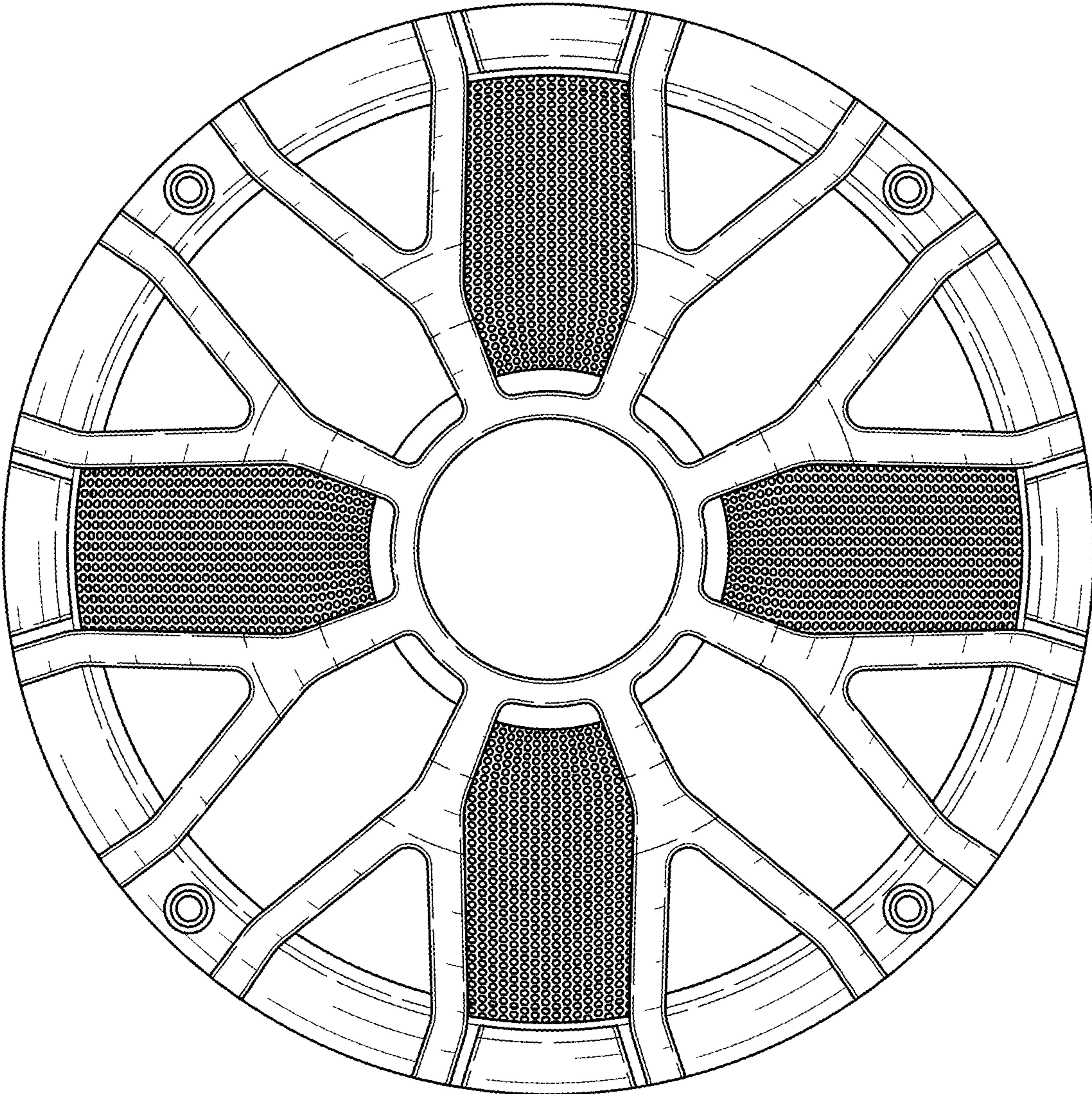


FIG. 1



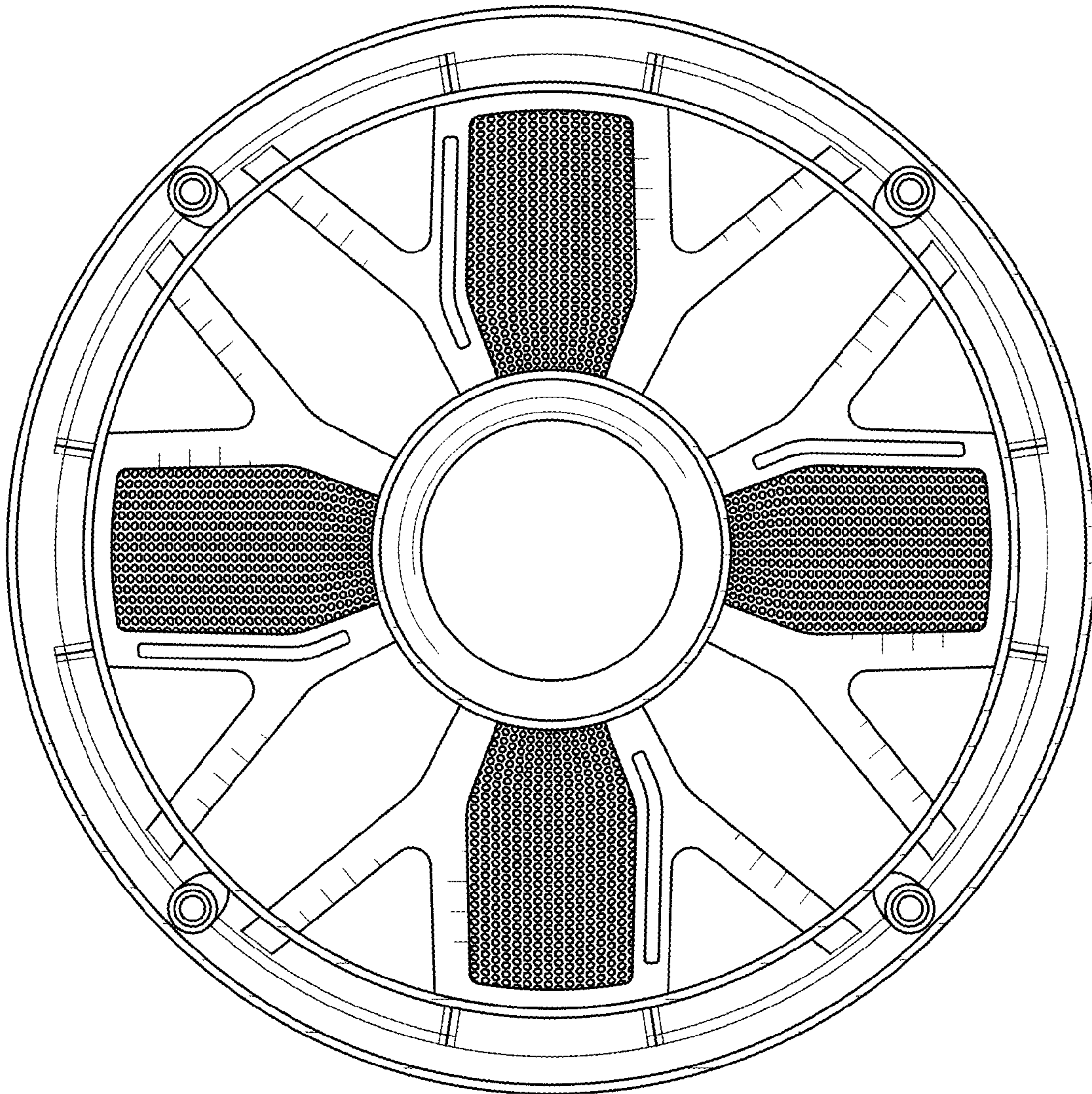


FIG. 2

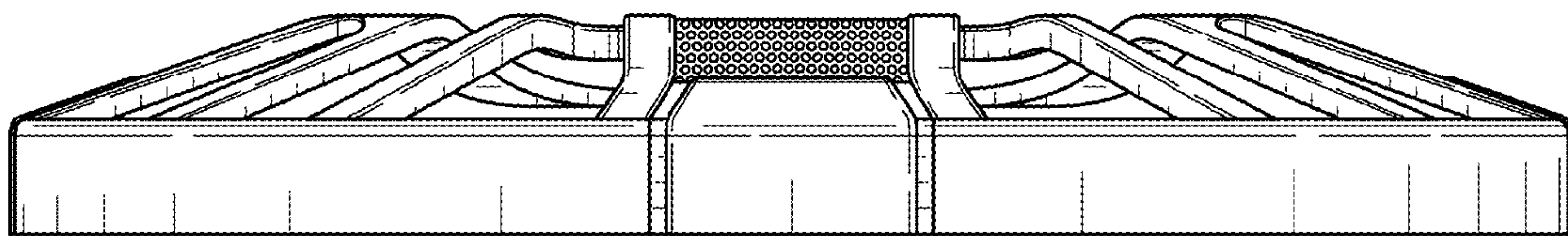


FIG. 3

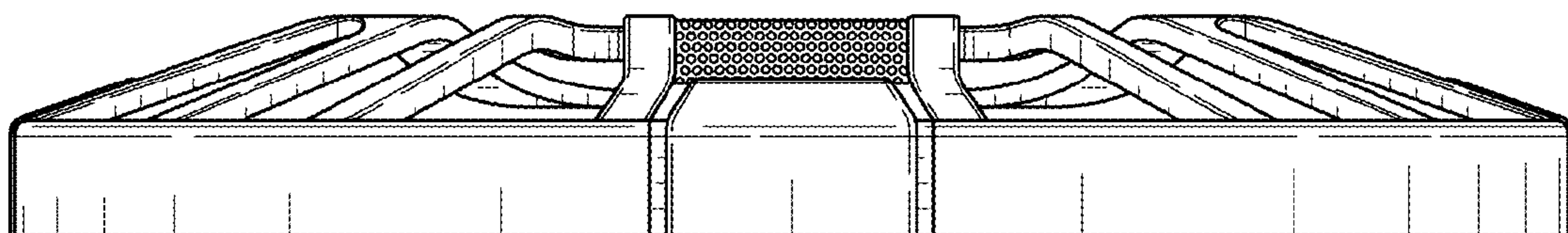


FIG. 4



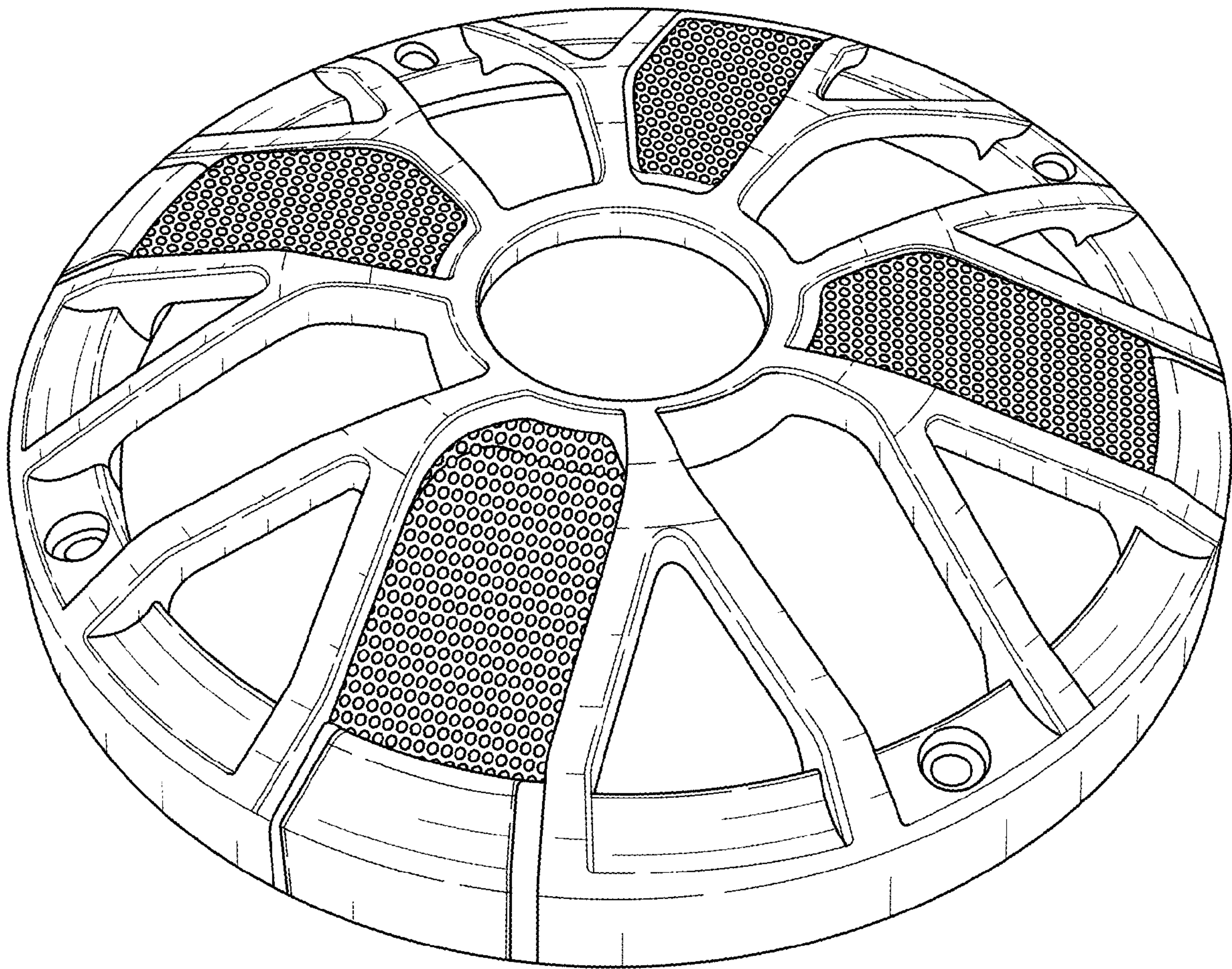


FIG. 5