



US00D911310S

(12) **United States Design Patent** (10) **Patent No.:** **US D911,310 S**  
**Ding** (45) **Date of Patent:** **\*\* Feb. 23, 2021**

(54) **GYRO STABILIZER**

G03B 17/04; G03B 17/561; H05K 5/0013; H05K 5/0086; H05K 5/0247; H05K 5/06

(71) Applicant: **Gudsen Technology Co., Ltd,**  
Guangdong (CN)

See application file for complete search history.

(72) Inventor: **Junwen Ding,** Guangdong (CN)

(56) **References Cited**

(73) Assignee: **Gudsen Technology Co., Ltd,**  
Shenzhen (CN)

U.S. PATENT DOCUMENTS

(\*\*) Term: **15 Years**

(21) Appl. No.: **29/694,733**

2,049,902 A \* 8/1936 Fischer ..... F25C 1/24  
249/121  
D103,916 S \* 3/1937 Scurlock ..... D7/705  
2,796,742 A \* 6/1957 Platt ..... F25C 1/24  
249/129  
3,214,128 A \* 10/1965 Beck ..... F25C 1/243  
249/66.1  
D202,838 S \* 11/1965 Brand ..... D15/90  
D320,994 S \* 10/1991 Kafka ..... D15/90

(22) Filed: **Jun. 13, 2019**

(30) **Foreign Application Priority Data**

(Continued)

Mar. 22, 2019 (CN) ..... 201930122739.3

*Primary Examiner* — Khawaja Anwar

(51) **LOC (13) Cl.** ..... **14-03**

(57) **CLAIM**

(52) **U.S. Cl.**

The ornamental design for a gyro stabilizer, as shown and described.

USPC ..... **D14/217**

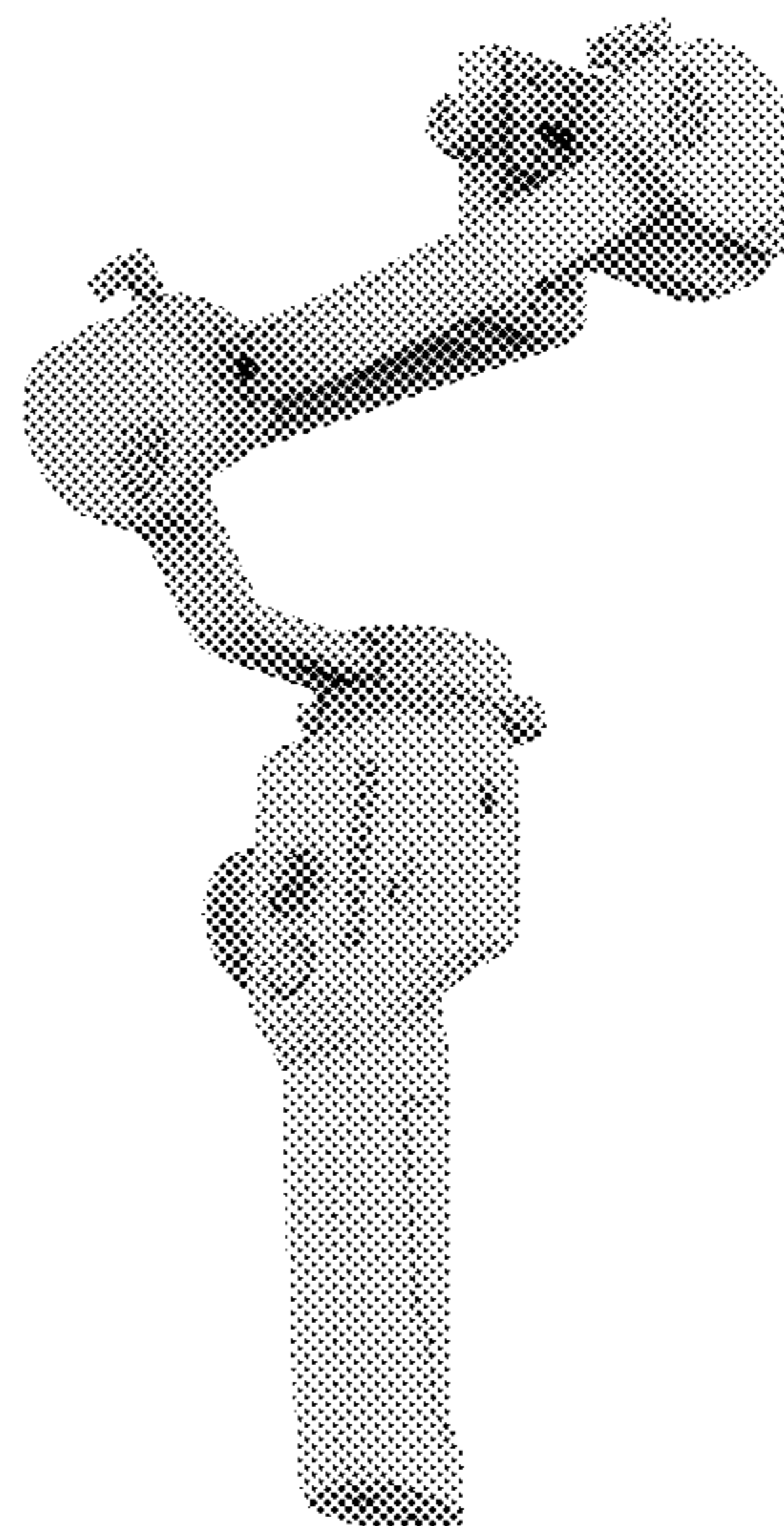
(58) **Field of Classification Search**

**DESCRIPTION**

USPC ..... D14/217, 253, 251, 252, 447, 451, 452,  
D14/440, 434, 458, 432, 439, 453, 460,  
D14/238.1, 140, 142, 149, 148; D13/107,  
D13/108, 218; D12/415, 223; D34/28,  
D34/32, 33; D16/200-208, 237-250  
CPC .. H04M 1/72527; H04M 1/04; H04M 1/0252;  
H04M 1/72558; H04M 1/72561; H04M  
3/42051; H04M 1/0216; H04M 1/0245;  
H04M 1/0254; H04M 1/6075; H04M  
1/6091; H04M 1/66; H04M 2250/22;  
H04M 11/04; H04M 19/08; H04M 1/02;  
H04M 1/0214; H04M 1/0274; H04M  
1/03; H04M 1/05; H04M 1/11; H04M  
1/2155; H04M 1/6033; H04M 1/6041;  
H04M 1/6058; H04M 1/6066; H04M  
1/72519; H04M 1/7253; H04M  
2203/2038; H04M 2250/12; H04M  
2250/52; H04M 3/42042; H04M 3/4365;

FIG. 1 is a front elevational view of a gyro stabilizer showing my new design;  
FIG. 2 is a rear elevational view thereof;  
FIG. 3 is a left side view thereof;  
FIG. 4 is a right side view thereof;  
FIG. 5 is a top plan view thereof;  
FIG. 6 is a bottom plan view thereof;  
FIG. 7 is a bottom, front and right side perspective view thereof;  
FIG. 8 is a top, rear and left side perspective view thereof;  
FIG. 9 is a bottom, rear and right side perspective view thereof;  
FIG. 10 is a bottom, front and left side perspective view thereof; and,  
FIG. 11 is a top, front and left side perspective view thereof.

**1 Claim, 10 Drawing Sheets**



(56)

**References Cited**

## U.S. PATENT DOCUMENTS

D348,473 S \* 7/1994 Griffin, Sr. .... D15/90  
5,397,097 A \* 3/1995 Dale ..... F25C 1/243  
249/120  
5,971,352 A \* 10/1999 Kirks ..... F25C 1/243  
249/117  
D480,736 S \* 10/2003 Wright ..... D15/90  
D560,695 S \* 1/2008 Marchionda ..... D15/90  
D650,398 S \* 12/2011 Hannon ..... D15/90  
D794,606 S \* 8/2017 Zheng ..... D14/217  
D799,447 S \* 10/2017 Zheng ..... D14/217  
D824,882 S \* 8/2018 Zheng ..... D14/217  
D846,604 S \* 4/2019 Lopez ..... D15/90  
D866,647 S \* 11/2019 Kim ..... D16/243  
D868,877 S \* 12/2019 Lin ..... D16/243  
D879,186 S \* 3/2020 Fang ..... D16/243  
D892,911 S \* 8/2020 Kim ..... D16/243  
D897,314 S \* 9/2020 Ding ..... D14/217  
2016/0309080 A1\* 10/2016 Chu ..... G03B 17/566  
2017/0146892 A1\* 5/2017 Wei ..... F16M 11/10

\* cited by examiner

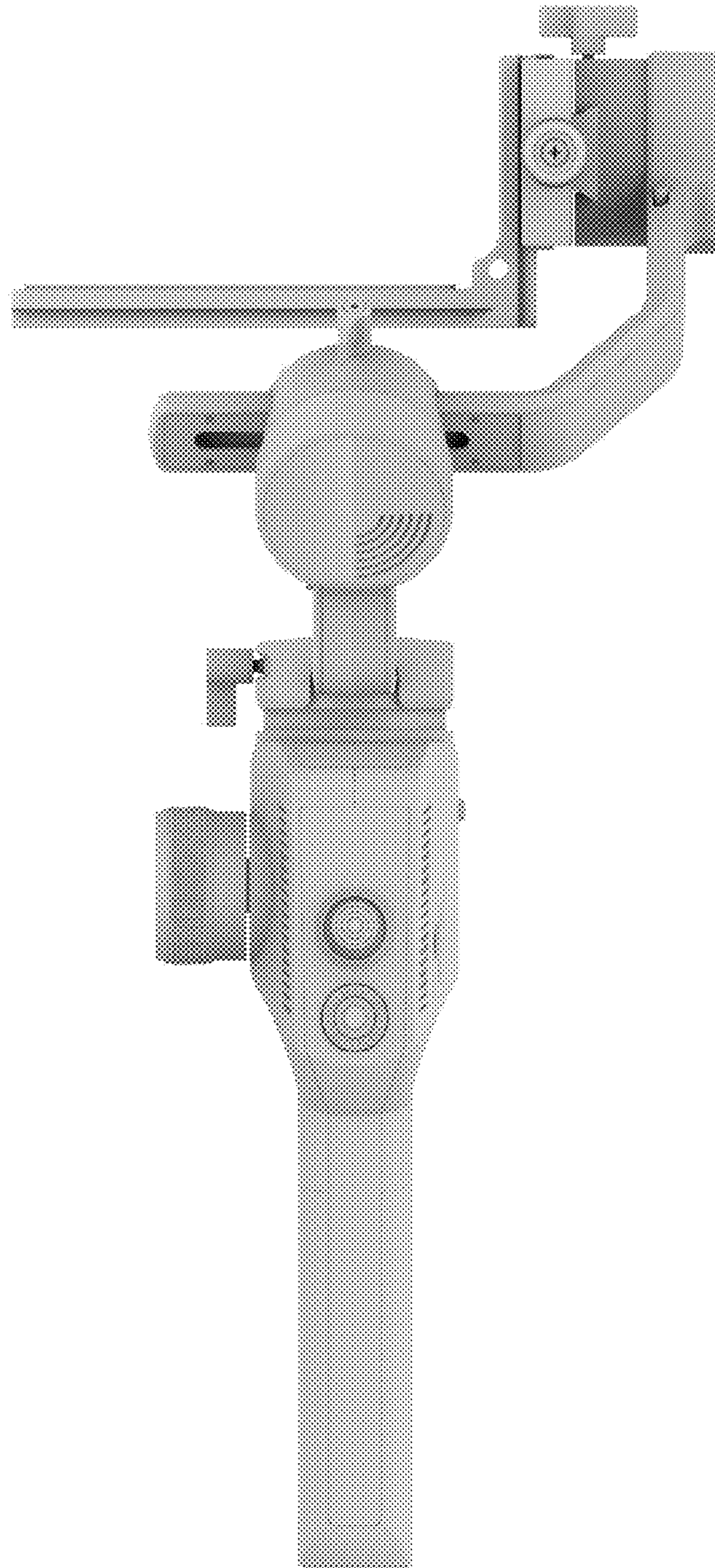


Fig. 1

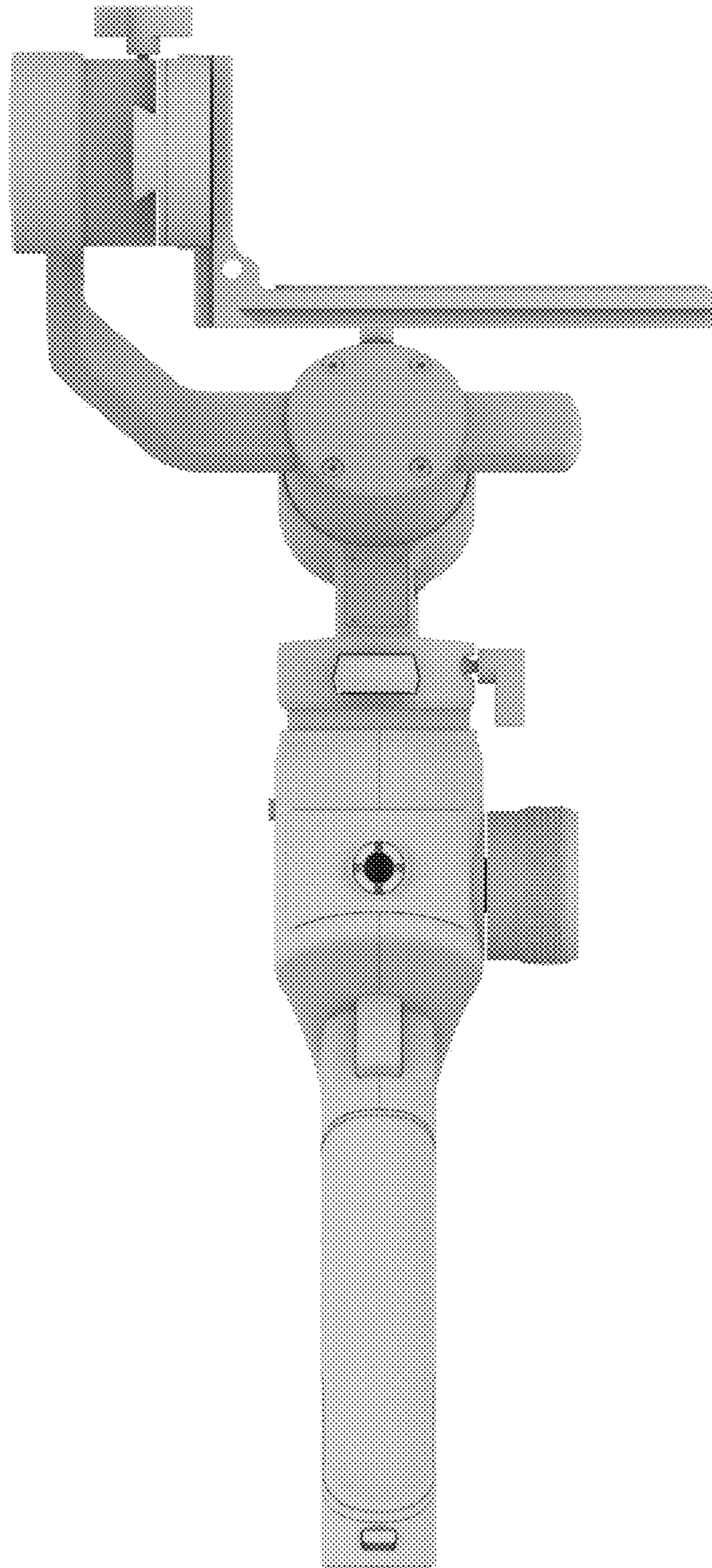


Fig. 2

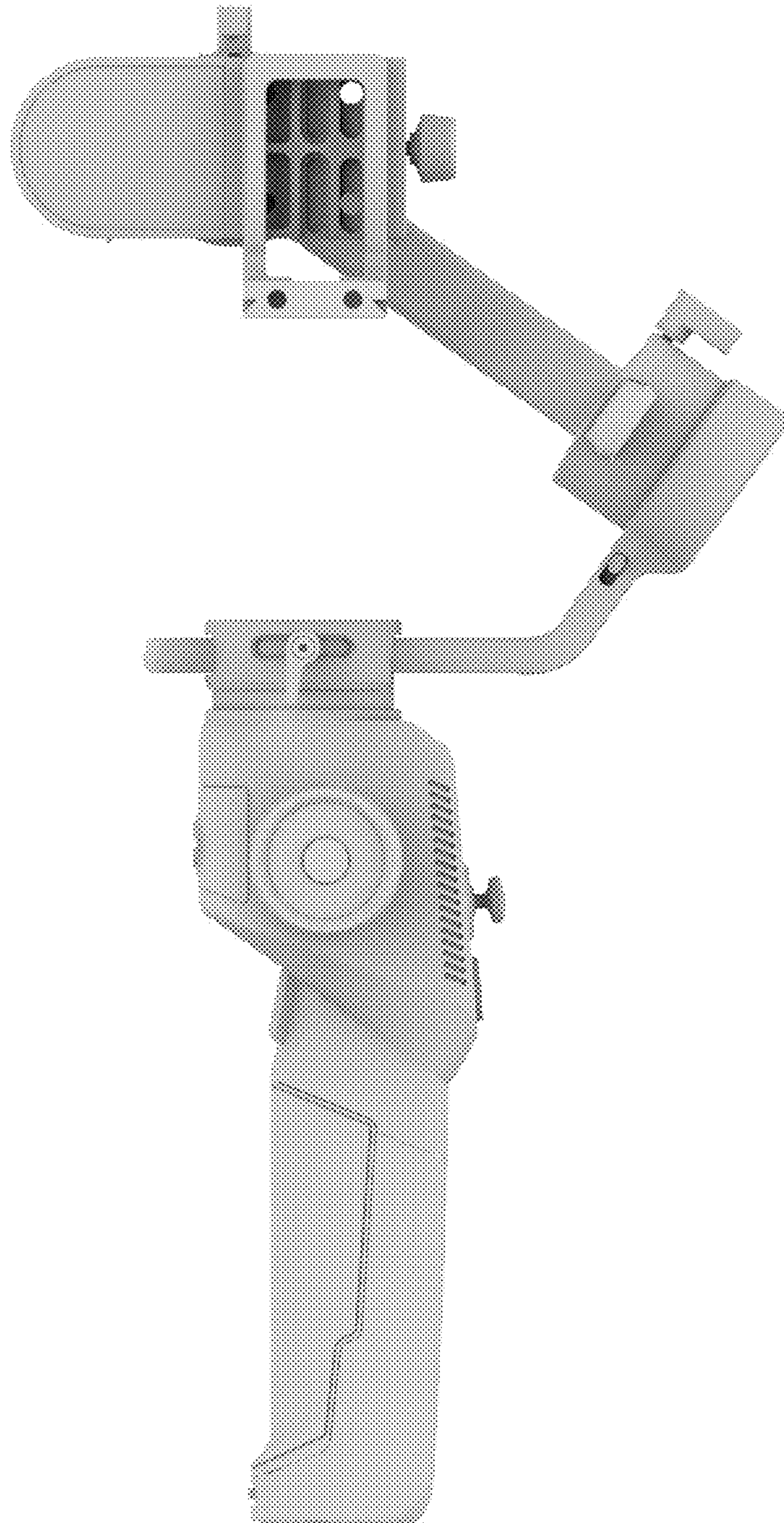


Fig. 3

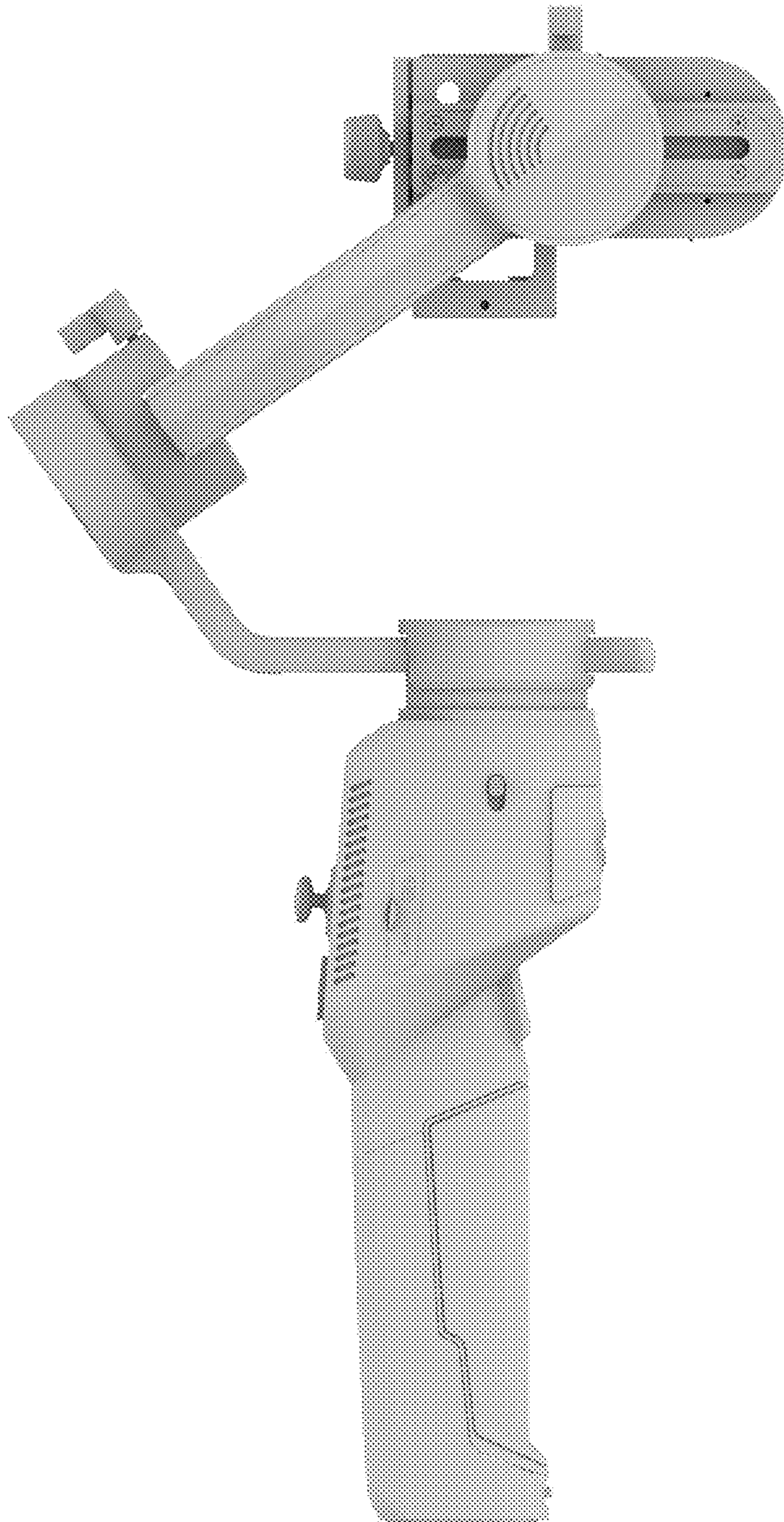


Fig. 4

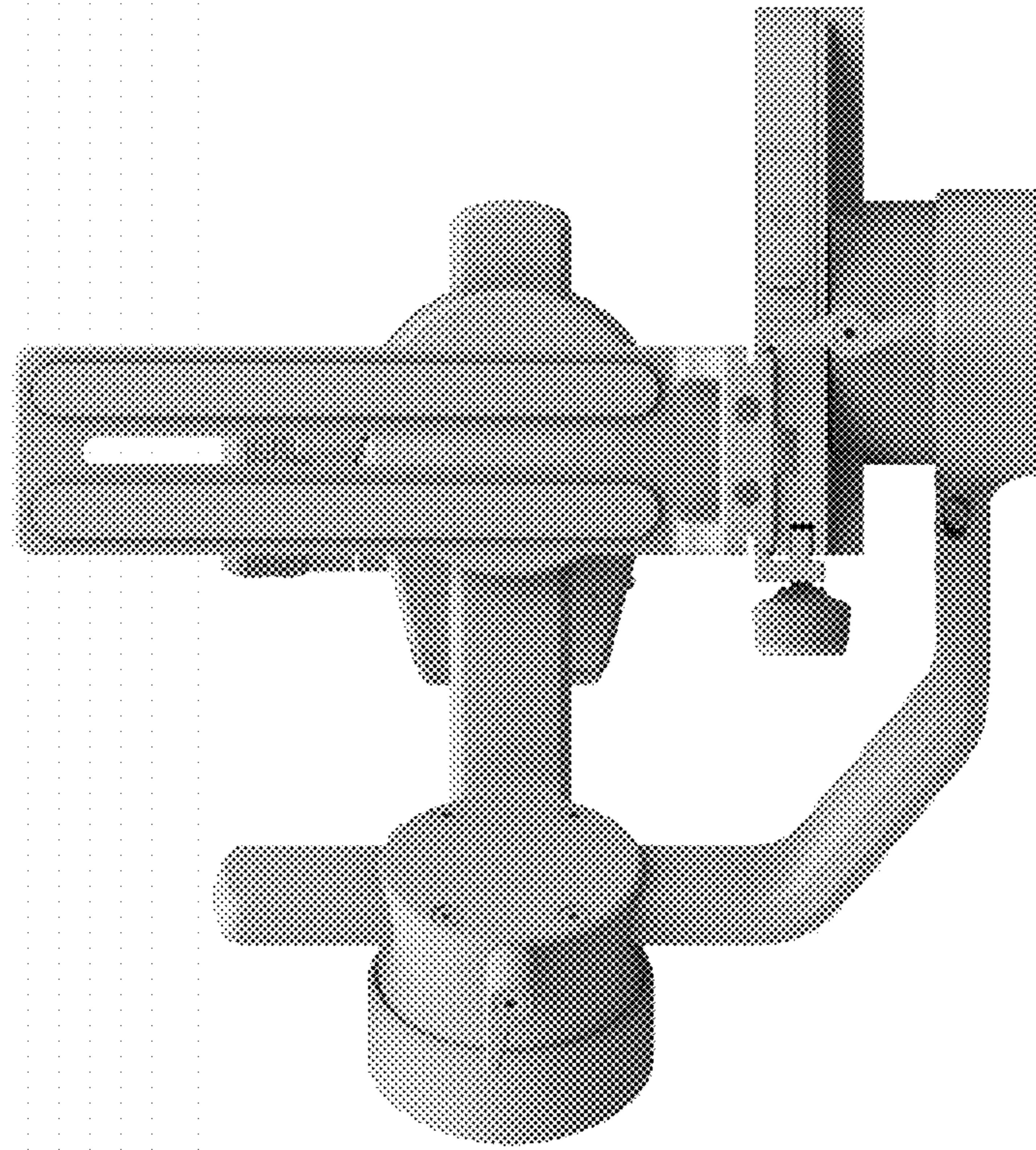


Fig. 5

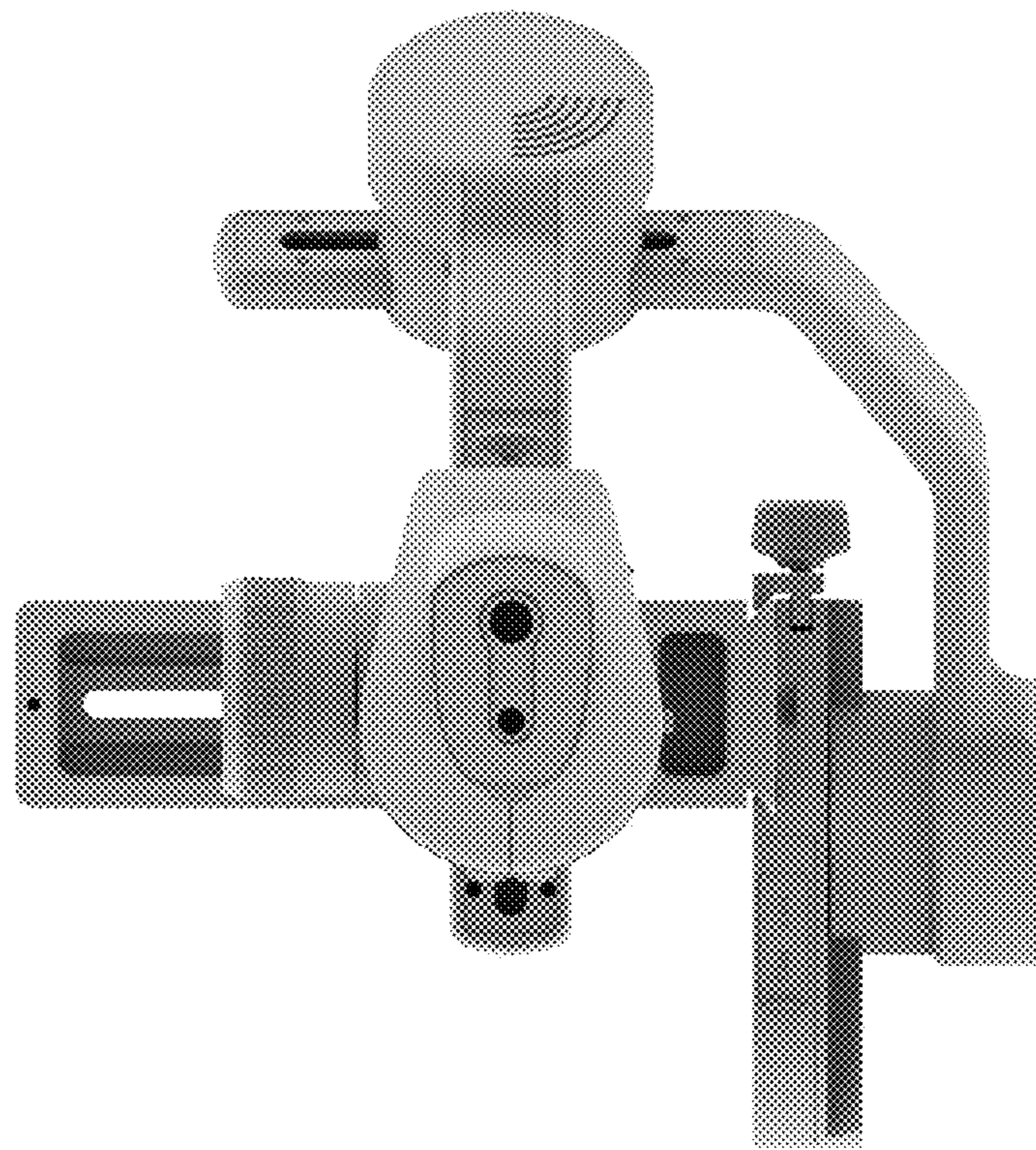


Fig. 6



Fig. 7





Fig. 8

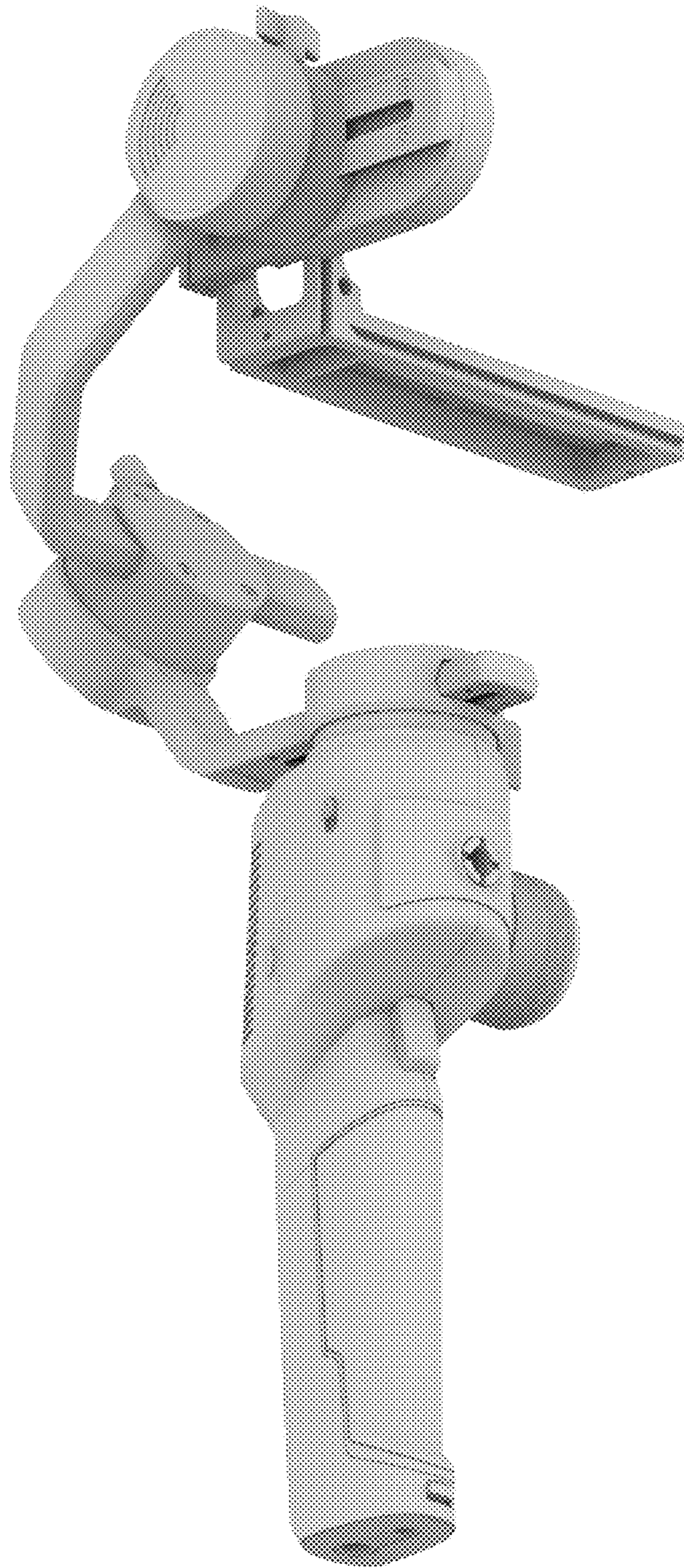


Fig. 9

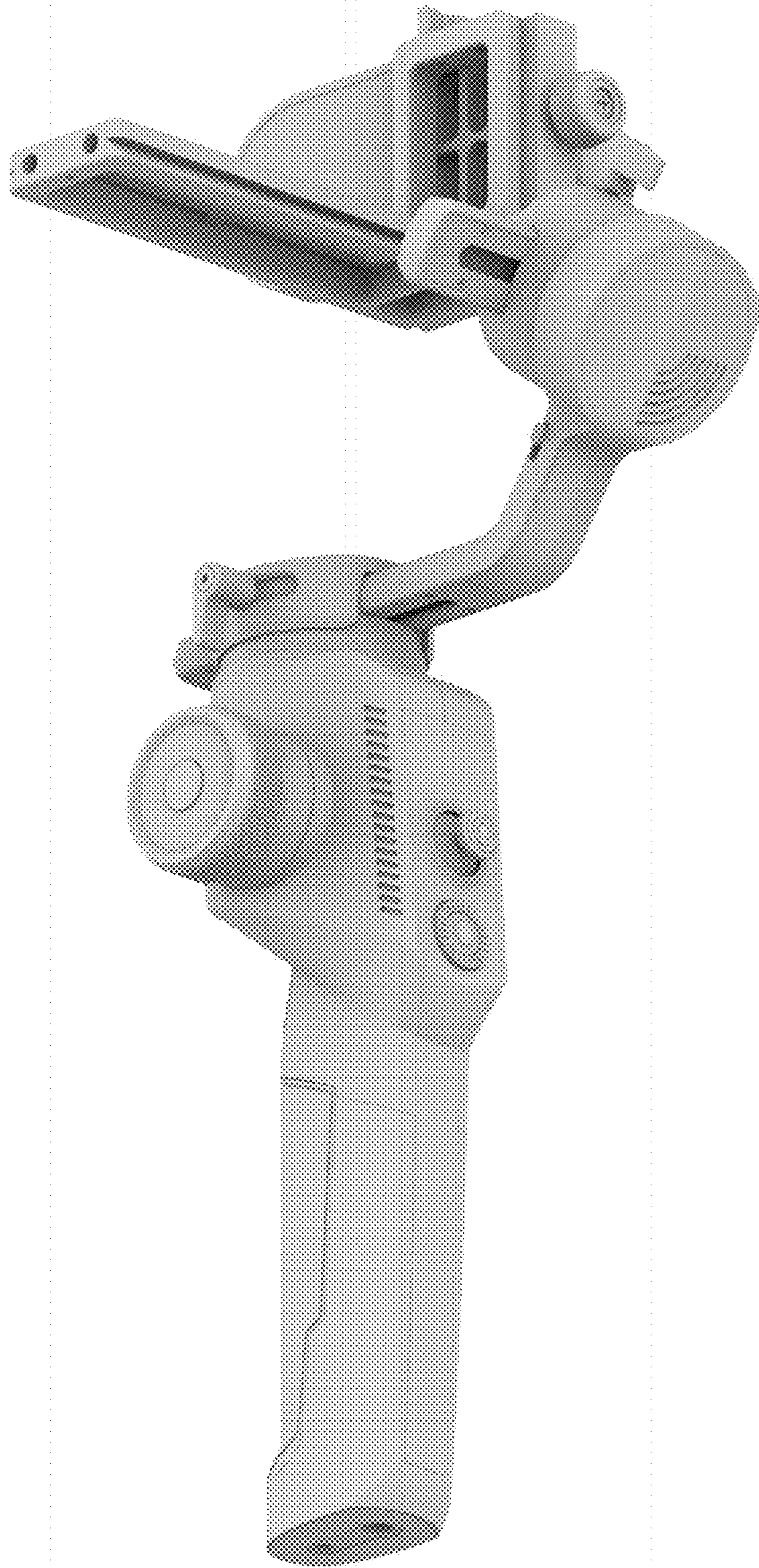


Fig. 10

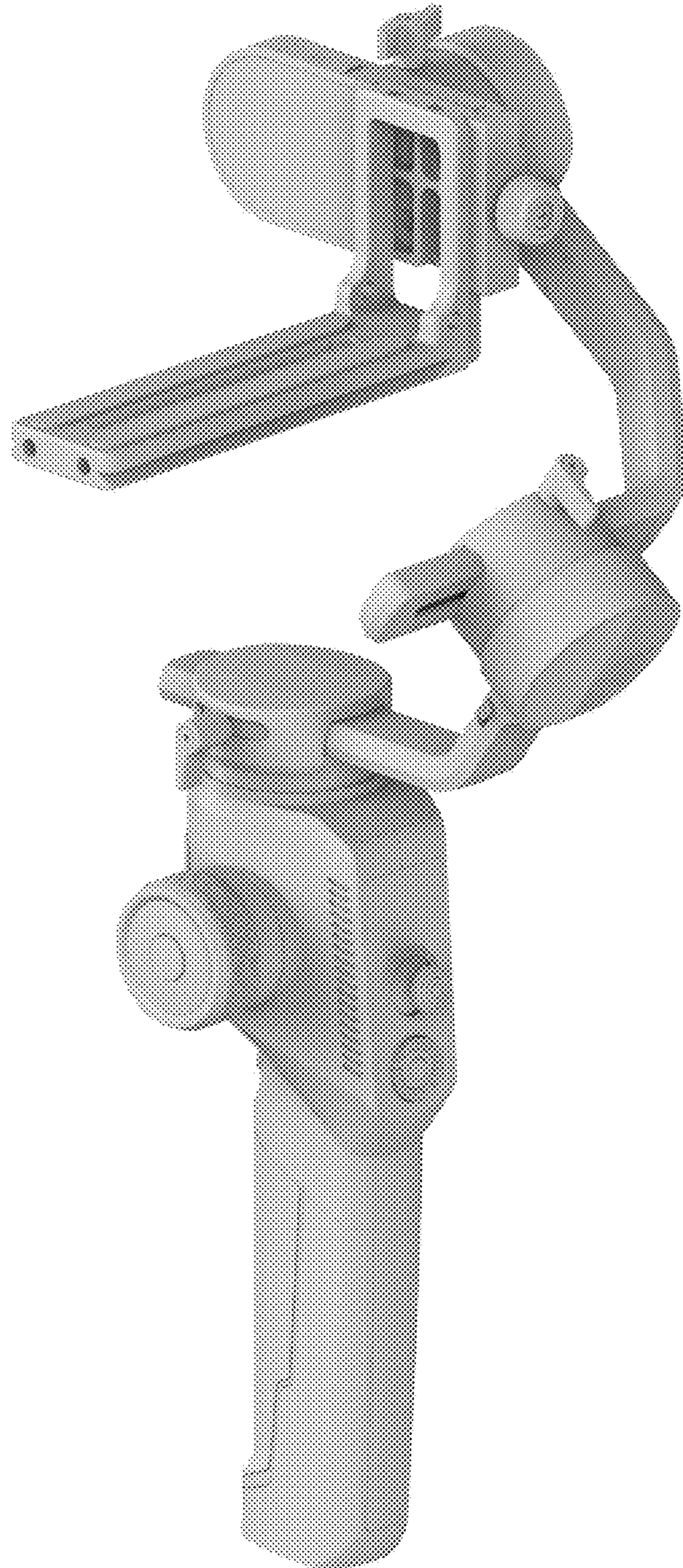


Fig. 11