



US00D911309S

(12) **United States Design Patent**
Sakata

(10) **Patent No.:** **US D911,309 S**

(45) **Date of Patent:** **** Feb. 23, 2021**

(54) **SPEAKER FOR CARS**

D654,475 S * 2/2012 Chen D14/215
D839,235 S * 1/2019 Kitamura D14/204
D859,365 S * 9/2019 Kitamura D14/216

(71) Applicant: **JVC KENWOOD Corporation**,
Yokohama (JP)

(Continued)

(72) Inventor: **Yu Sakata**, Yokohama (JP)

FOREIGN PATENT DOCUMENTS

(73) Assignee: **JVC KENWOOD Corporation**,
Yokohama (JP)

JP D2016-22742 * 12/2017
JP D2018-14897 * 3/2019

(Continued)

(**) Term: **15 Years**

OTHER PUBLICATIONS

(21) Appl. No.: **29/683,955**

JVC CS-DR6931 drvn DR Series Shallow-Mount Coaxial Speakers, (c) 2019 [online], [retrieved Oct. 22, 2020], Retrieved from Internet, URL: <https://www.amazon.com/CS-DR6931-Coaxial-Speakers-Watts-Power/dp/B07QF3GYSL/ref=sr_1_18?c=ts&rdchild=1&keywords=Car+Speakers&qid=%E2%80%A6> (Year: 2019)*

(22) Filed: **Mar. 18, 2019**

(Continued)

(30) **Foreign Application Priority Data**

Dec. 21, 2018 (JP) JP2018-028054

(51) **LOC (13) Cl.** **14-01**

(52) **U.S. Cl.**

USPC **D14/215**; D14/204

(58) **Field of Classification Search**

USPC D14/204–216, 155–159, 160–173, 187,
D14/188, 203.1–203.8, 217–222

CPC H04R 1/02; H04R 1/021; H04R 1/023;
H04R 5/00; H04R 9/06; H04R 2420/07

See application file for complete search history.

Primary Examiner — Barbara Fox

Assistant Examiner — Aram Kwon

(74) *Attorney, Agent, or Firm* — Amin, Turocy & Watson, LLP

(57) **CLAIM**

The ornamental design for a speaker for cars, as shown and described.

DESCRIPTION

FIG. 1 is a front perspective view of a speaker for cars showing my new design;

FIG. 2 is a front elevational view thereof;

FIG. 3 is a rear elevational view thereof;

FIG. 4 is a top plan view thereof;

FIG. 5 is a bottom plan view thereof;

FIG. 6 is a right-side elevational view thereof; and,

FIG. 7 is a left-side elevational view thereof.

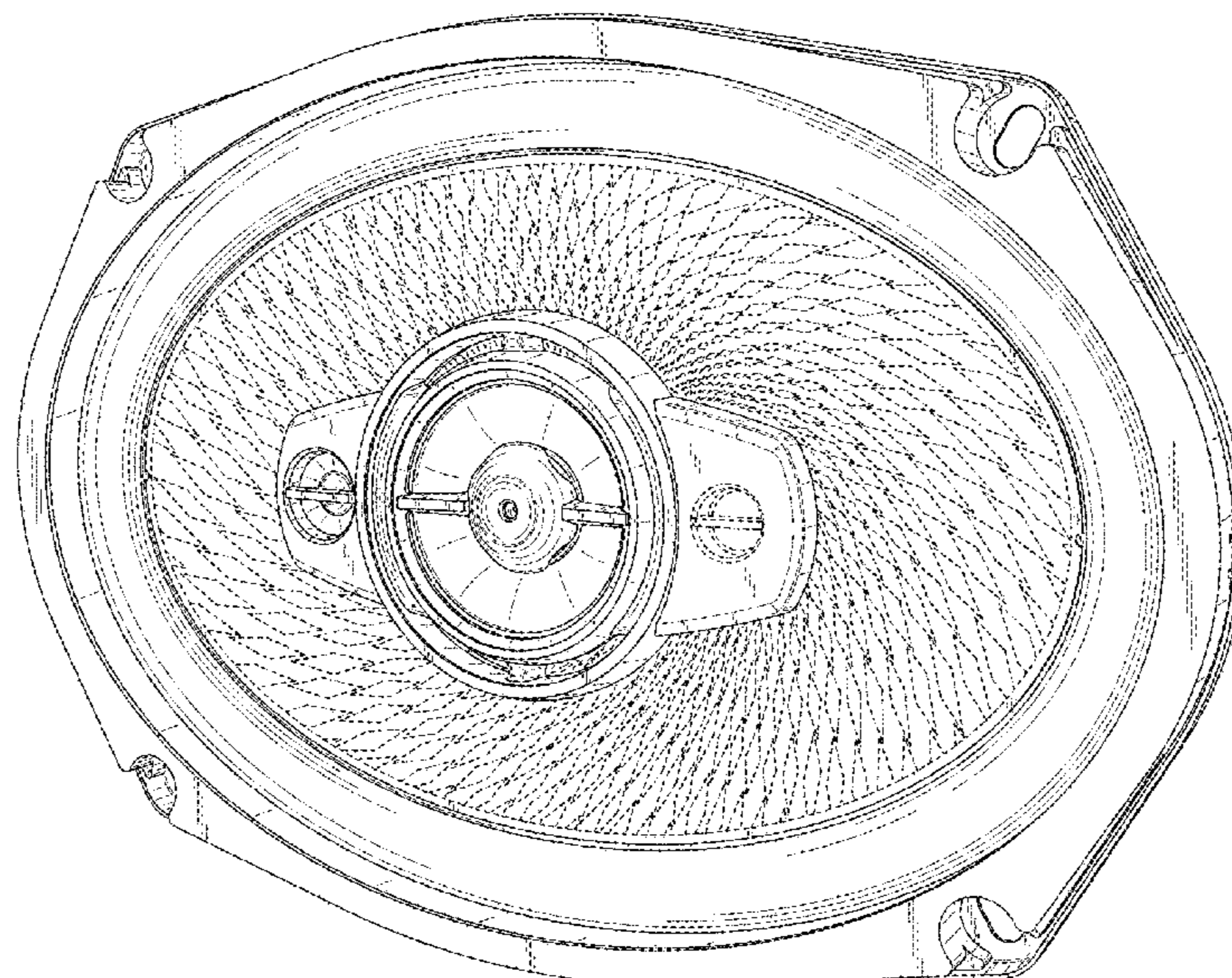
The broken lines shown in the drawings depict portions of the speaker for cars that form no part of the claimed design.

(56) **References Cited**

U.S. PATENT DOCUMENTS

2,810,447 A * 10/1957 Radin H04R 9/06
181/174
D265,732 S * 8/1982 Iijima D14/216
D266,324 S * 9/1982 Iijima D14/210
D284,002 S * 5/1986 Takagi D14/215
D284,281 S * 6/1986 Takagi D14/215
D489,359 S * 5/2004 Hakoda D14/215
D551,210 S * 9/2007 Mizokawa D14/216
D574,812 S * 8/2008 Sei D14/216
D650,359 S * 12/2011 Chen D14/215

1 Claim, 7 Drawing Sheets



(56)

References Cited

U.S. PATENT DOCUMENTS

D864,913 S * 10/2019 Kitamura D14/216
 D864,914 S * 10/2019 Kitamura D14/216
 D872,052 S * 1/2020 Kitamura D14/210
 D875,078 S * 2/2020 Horiuchi D14/216
 D875,080 S * 2/2020 Horiuchi D14/216
 D875,081 S * 2/2020 Horiuchi D14/216
 D875,717 S * 2/2020 Horiuchi D14/216
 D897,311 S * 9/2020 Matsubayashi D14/216
 D897,312 S * 9/2020 Matsubayashi D14/216
 2016/0234590 A1 * 8/2016 Tomizawa H04R 1/24
 2018/0084345 A1 * 3/2018 Tanabe H04R 9/06

FOREIGN PATENT DOCUMENTS

JP D2018-14899 * 6/2019
 JP D2018-14900 * 6/2019
 JP D2018-14902 * 6/2019
 JP D2018-14903 * 6/2019
 JP D2018-28054 * 7/2019

OTHER PUBLICATIONS

JVC CSJ6820 6x8 J Series 2-Way Bundle, (c) 2017 [online],
 [retrieved Oct. 22, 2020], Retrieved from Internet, URL: <https://www.amazon.com/JVC-CSJ6820-6x8-2-Way-Bundle/dp/B01FT07Q1G/ref=sr_1_4?c=ts&dchild=1&keywords=Car+Speakers&qid=1603399155%E2%80%A6> (Year: 2017).*

* cited by examiner

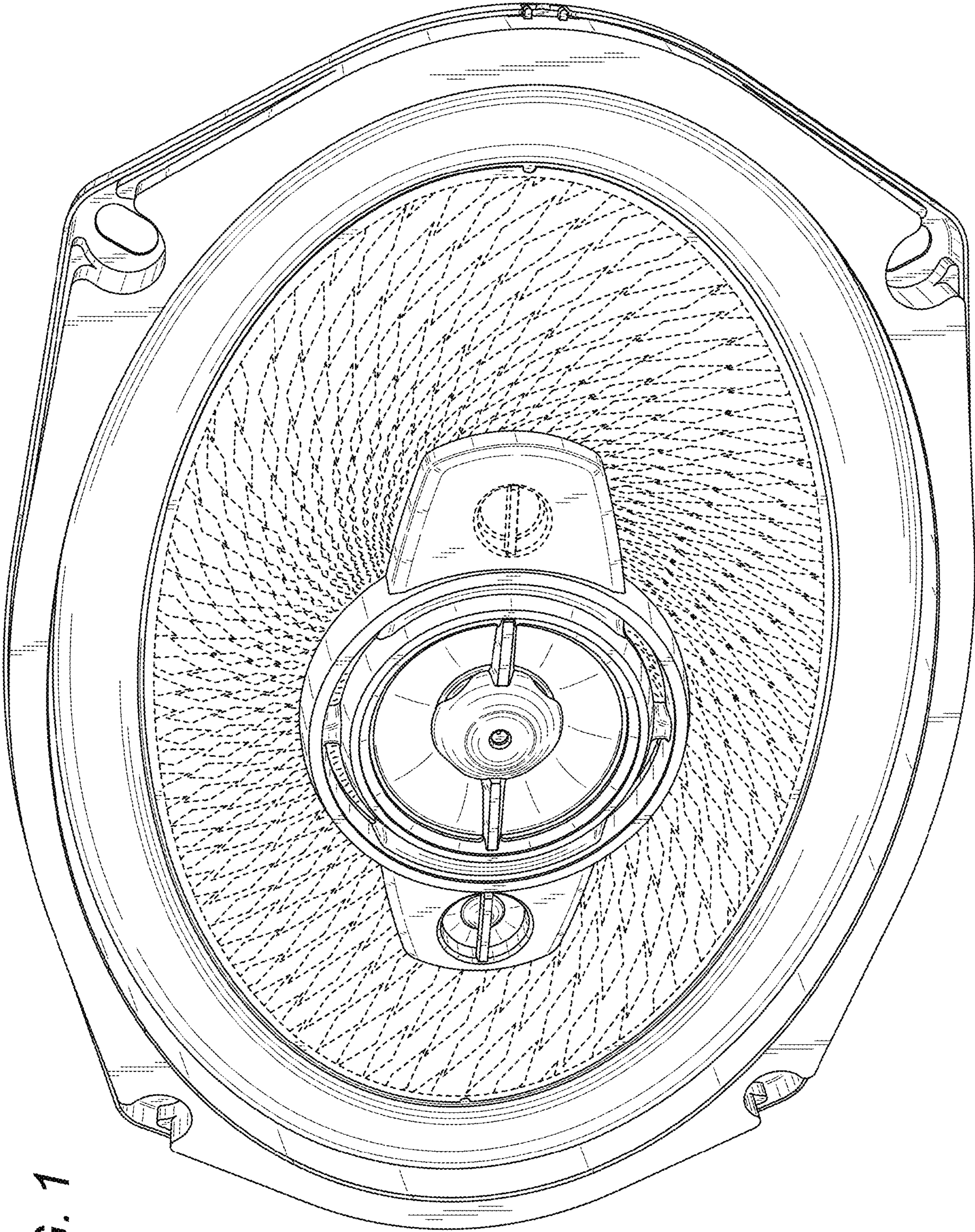


FIG. 1

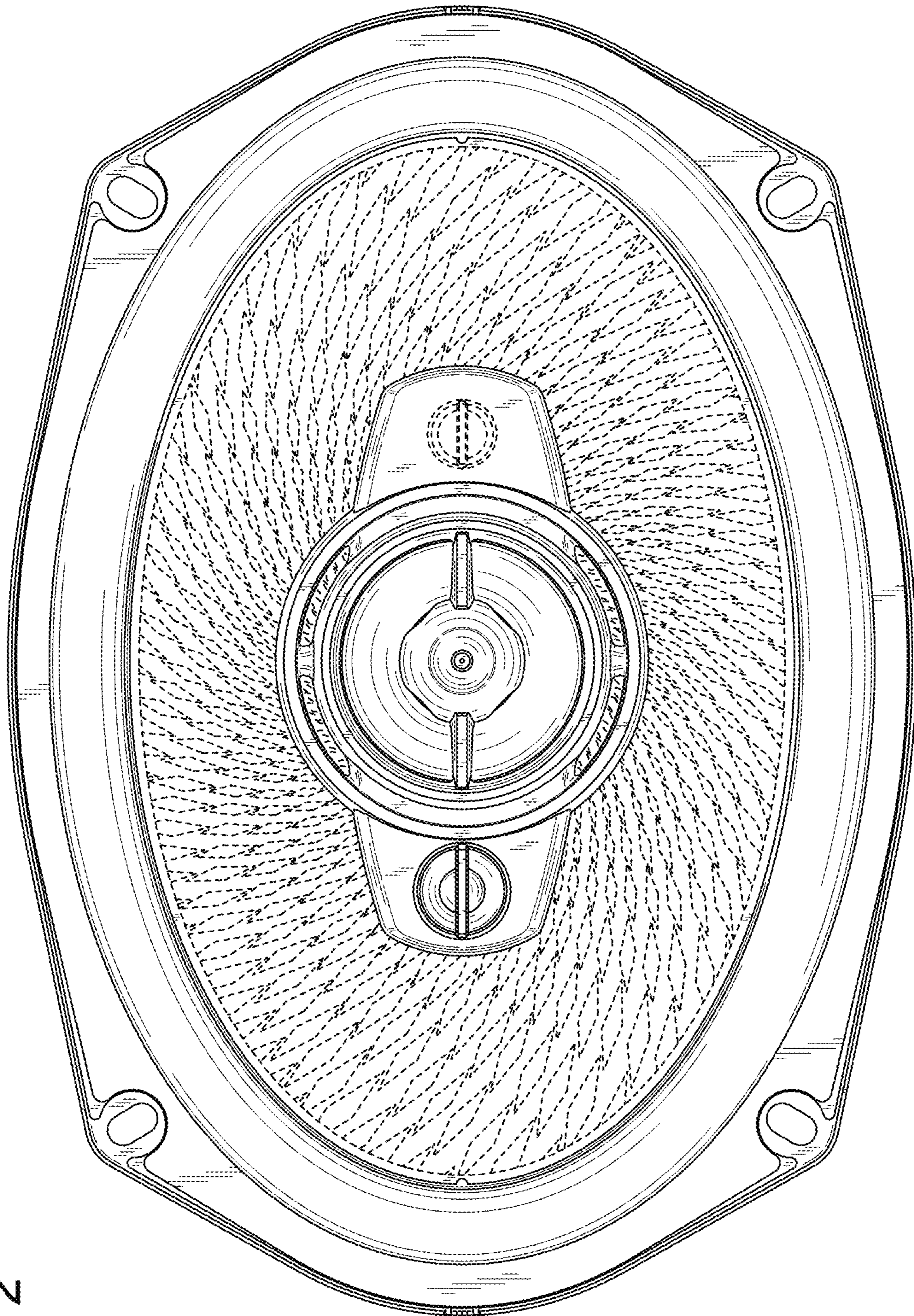


FIG. 2

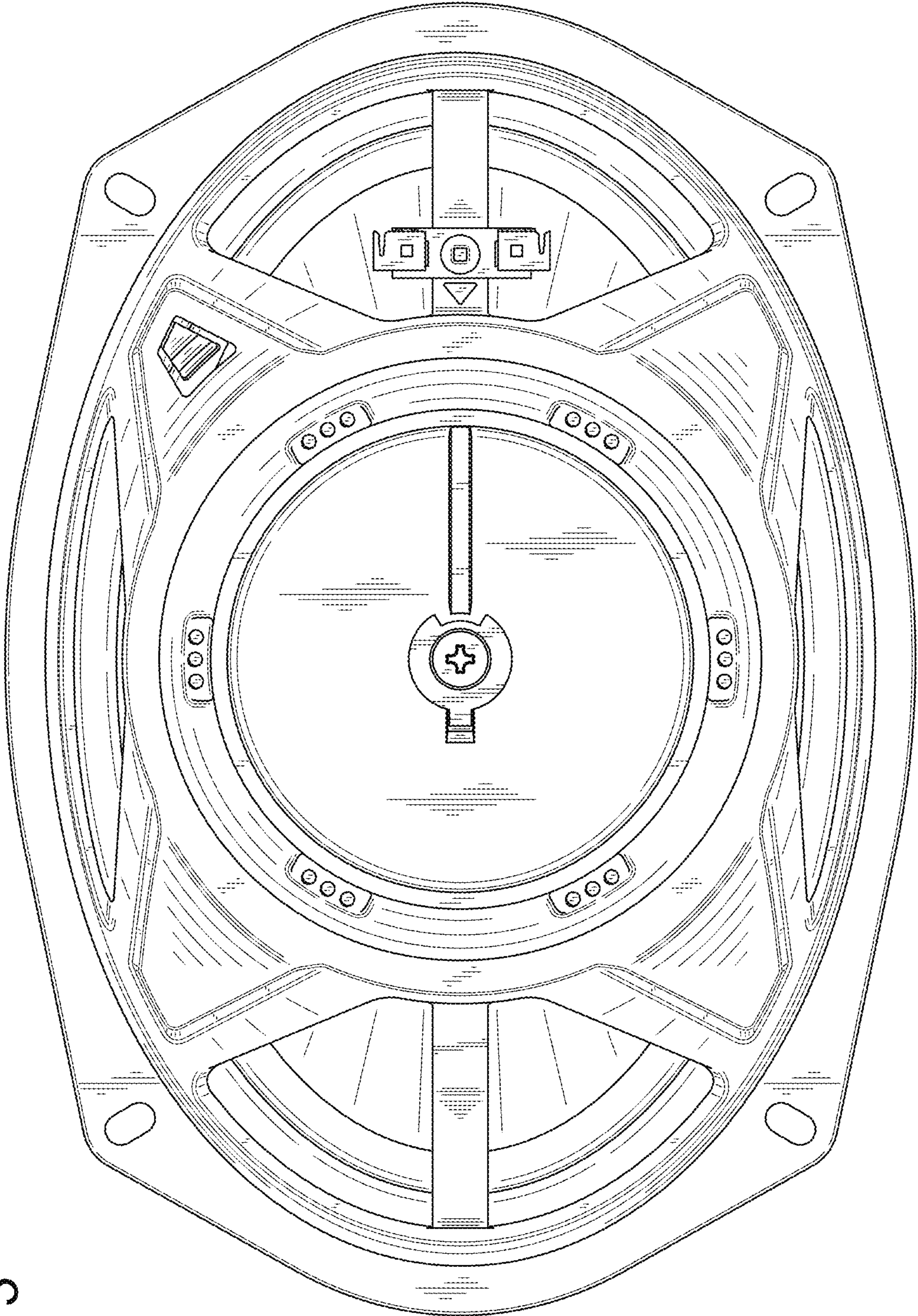


FIG. 3

FIG. 4

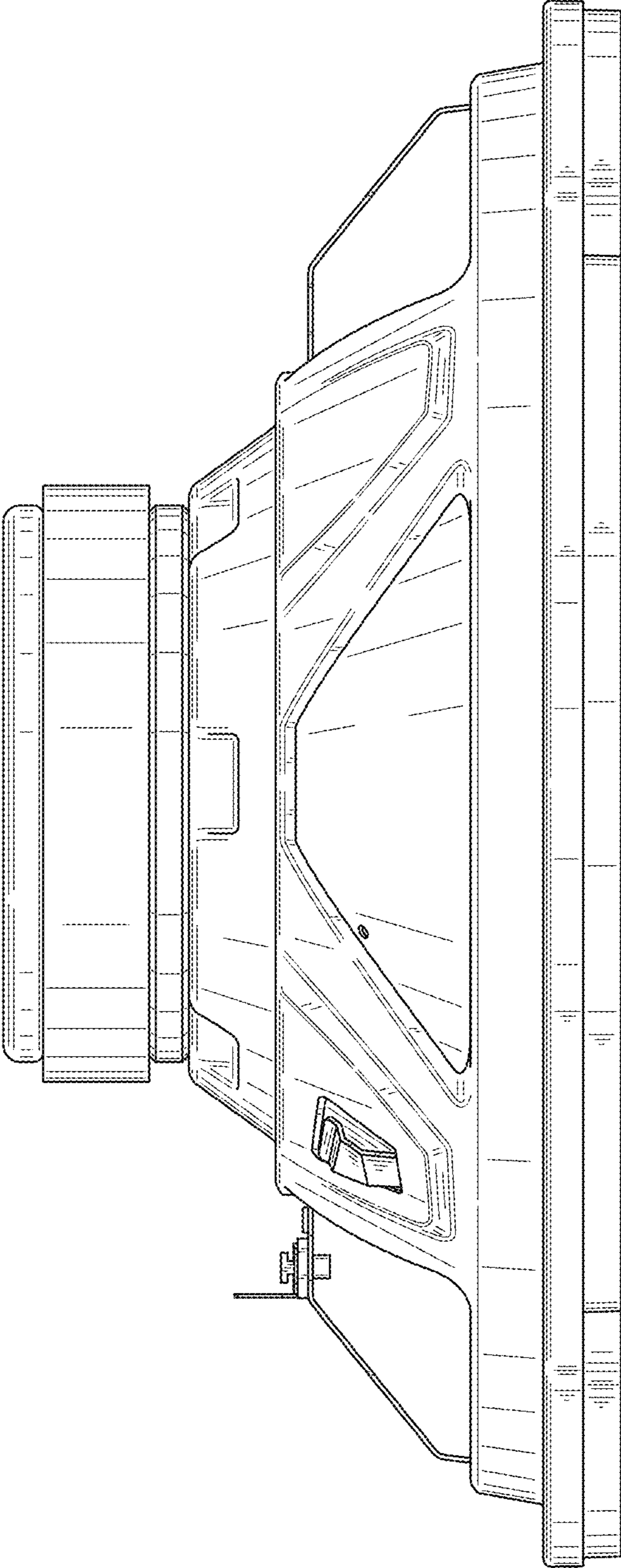


FIG. 5

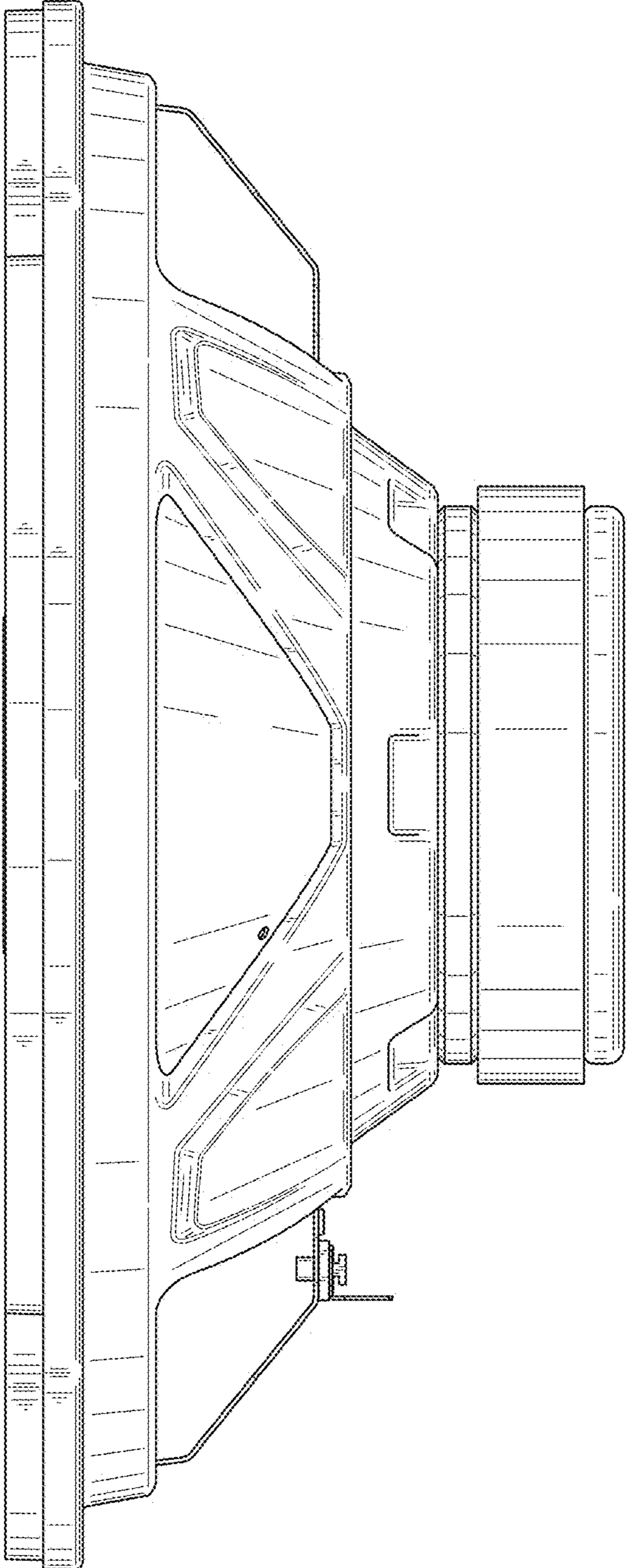


FIG. 6

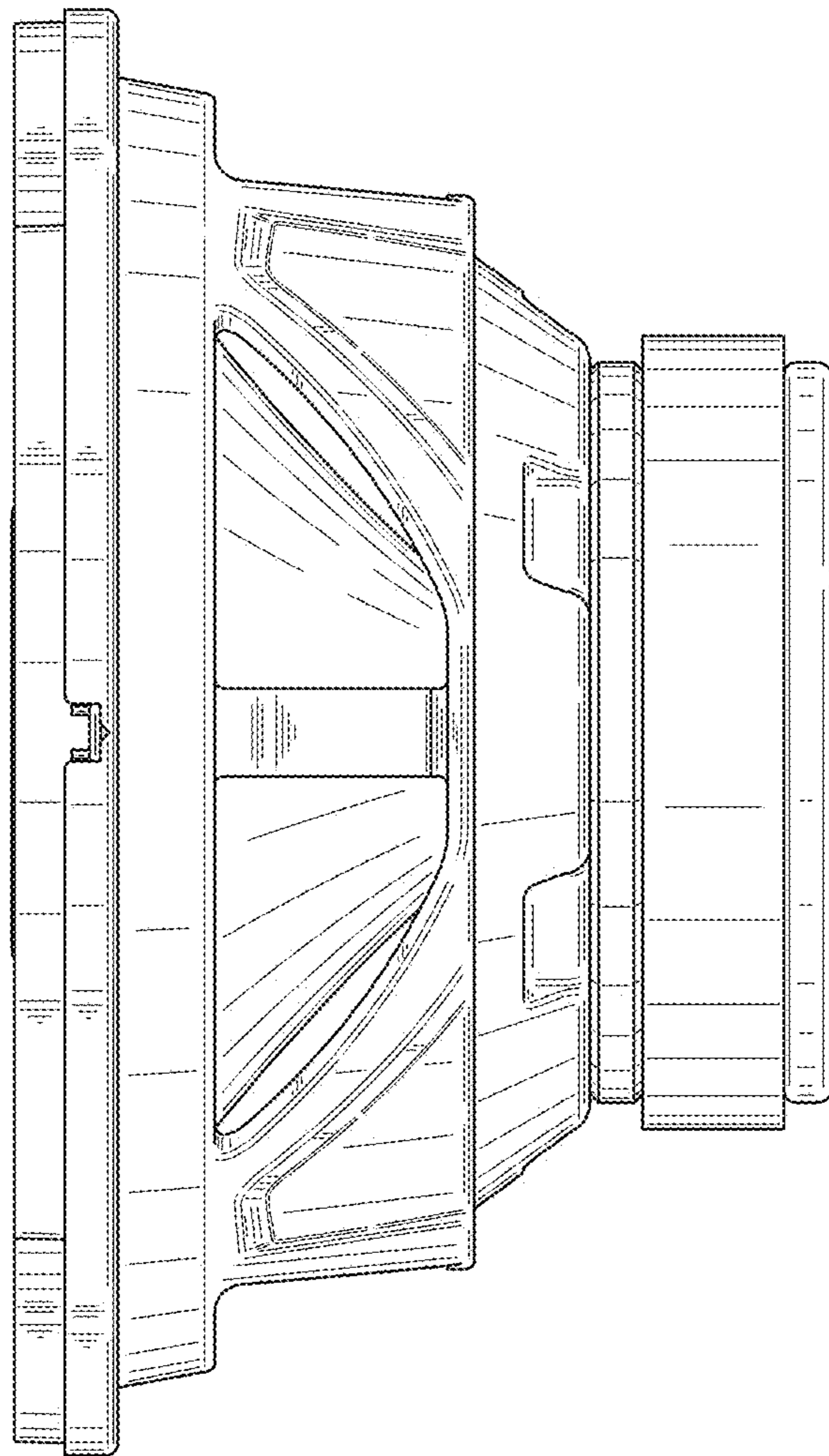


FIG. 7

