



US00D911304S

(12) **United States Design Patent**
Hong

(10) **Patent No.:** **US D911,304 S**

(45) **Date of Patent:** **** Feb. 23, 2021**

(54) **COMBINED SPEAKER AND HOLDER**
(71) Applicant: **SHENZHEN JINGE YAMEI TECHNOLOGY CO., LTD**, Shenzhen (CN)

D654,078 S * 2/2012 Zhou D14/434
D687,013 S * 7/2013 Ryu D14/209.1
D727,291 S * 4/2015 Hillenmayer D14/209.1
D729,248 S * 5/2015 Porter D14/434
D732,037 S * 6/2015 Wylie D14/434
D743,924 S * 11/2015 Hillenmayer D14/142

(72) Inventor: **Yiyi Hong**, Quanzhou (CN)
(73) Assignee: **SHANZHEN JINGE YAMEI TECHNOLOGY CO., LTD.**, Shenzhen (CN)

OTHER PUBLICATIONS

“YSEECHENS Elephant Shape Multifunctional Wooden Wireless Bluetooth Speaker with Mobile Phone Stand Holder”, Retrieved Jul. 31, 2020]. Retrieved from Internet, <https://www.amazon.com/YSEECHENS-Elephant-Multifunctional-Wireless-Bluetooth/dp/B07BF8GBFY>.

(**) Term: **15 Years**

* cited by examiner

(21) Appl. No.: **29/745,127**

(22) Filed: **Aug. 4, 2020**

Primary Examiner — Janice Patyk

(30) **Foreign Application Priority Data**

(57) **CLAIM**

Jun. 8, 2020 (CN) 202030282895.9

The ornamental design for a combined speaker and holder, as shown and described.

(51) **LOC (13) Cl.** **14-01**

DESCRIPTION

(52) **U.S. Cl.**
USPC **D14/204**

(58) **Field of Classification Search**
USPC D14/170–172, 188, 203.1, 203.3, 204, D14/348
CPC . H04R 1/02; H04R 1/023; H04R 5/02; H04R 7/00; H04R 7/02; H04R 9/06; H04R 2400/00

FIG. 1 is a front perspective view of a combined speaker and holder showing my new design;
FIG. 2 is a bottom perspective view thereof;
FIG. 3 is a front elevational view thereof;
FIG. 4 is a rear elevational view thereof;
FIG. 5 is a left side elevational view thereof;
FIG. 6 is a right side elevational view thereof;
FIG. 7 is a top plan view thereof;
FIG. 8 is a bottom plan view thereof; and,
FIG. 9 is a top perspective view thereof, shown in folded condition.

See application file for complete search history.

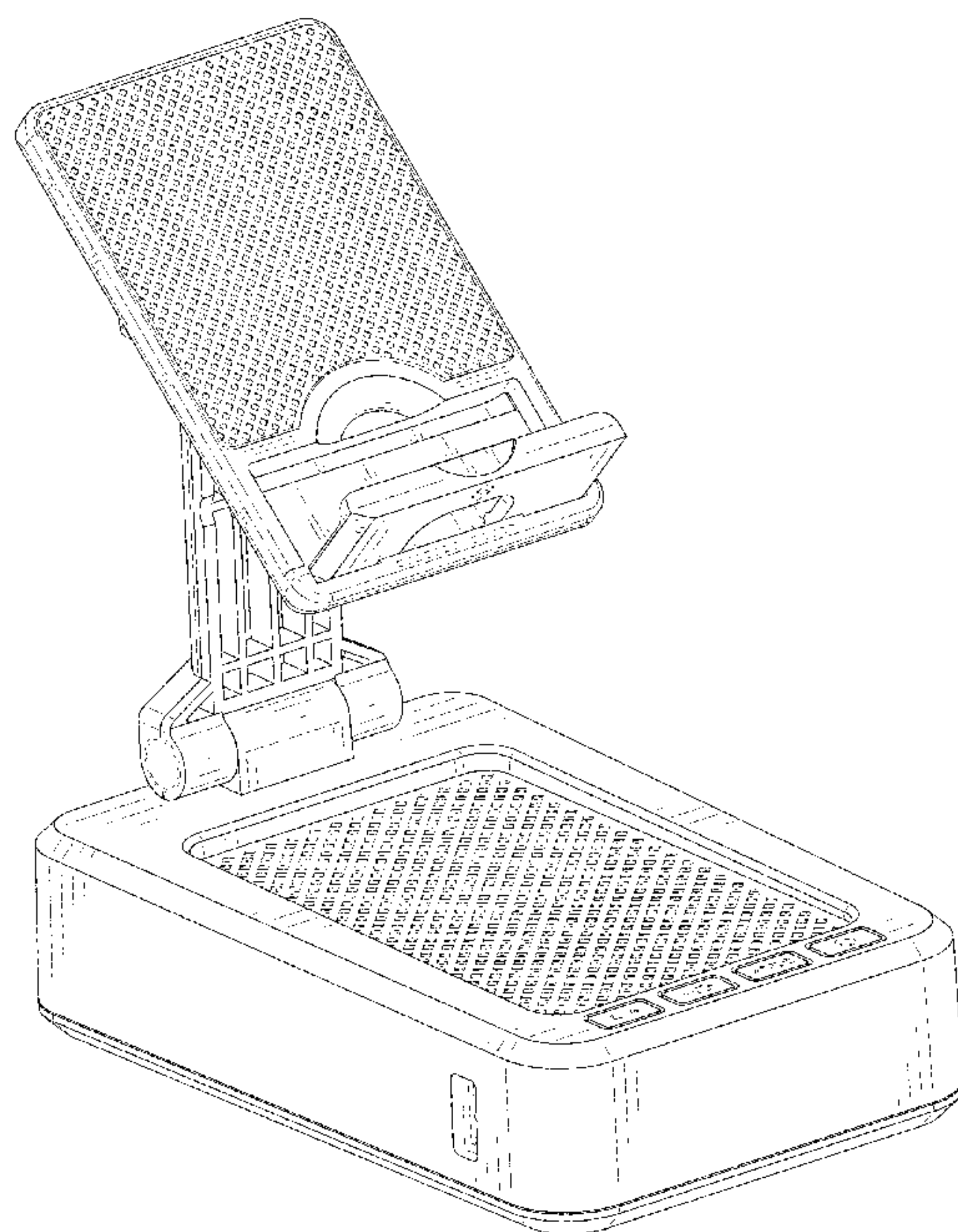
The broken lines in the drawings illustrate portions of the combined speaker and holder that form no part of the claimed design.

(56) **References Cited**

U.S. PATENT DOCUMENTS

D363,492 S * 10/1995 Brusing D14/251
D528,102 S * 9/2006 Lye D14/211
D639,811 S * 6/2011 Hwang D14/434
D646,268 S * 10/2011 DeLorenzo D14/253

1 Claim, 9 Drawing Sheets



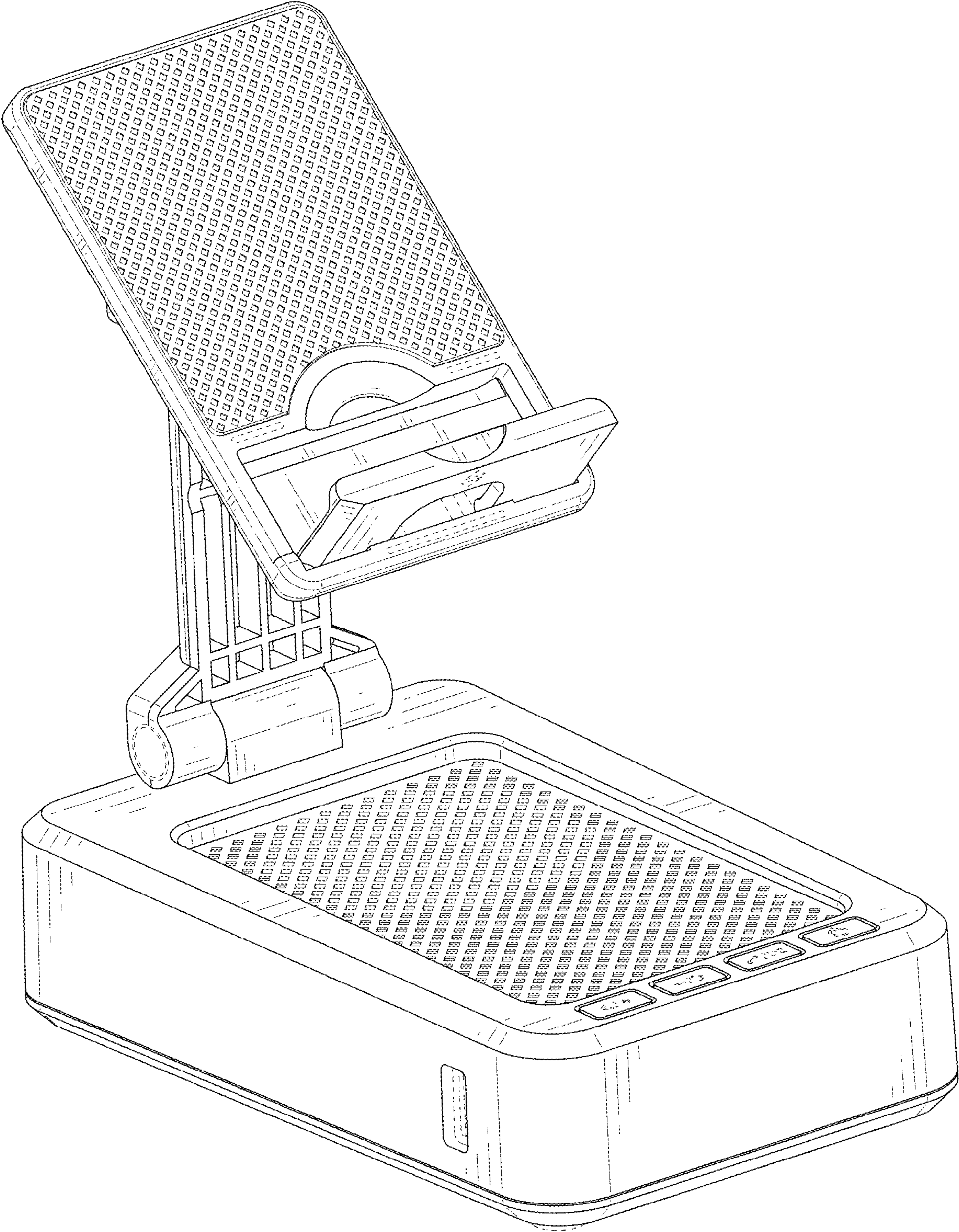


FIG. 1

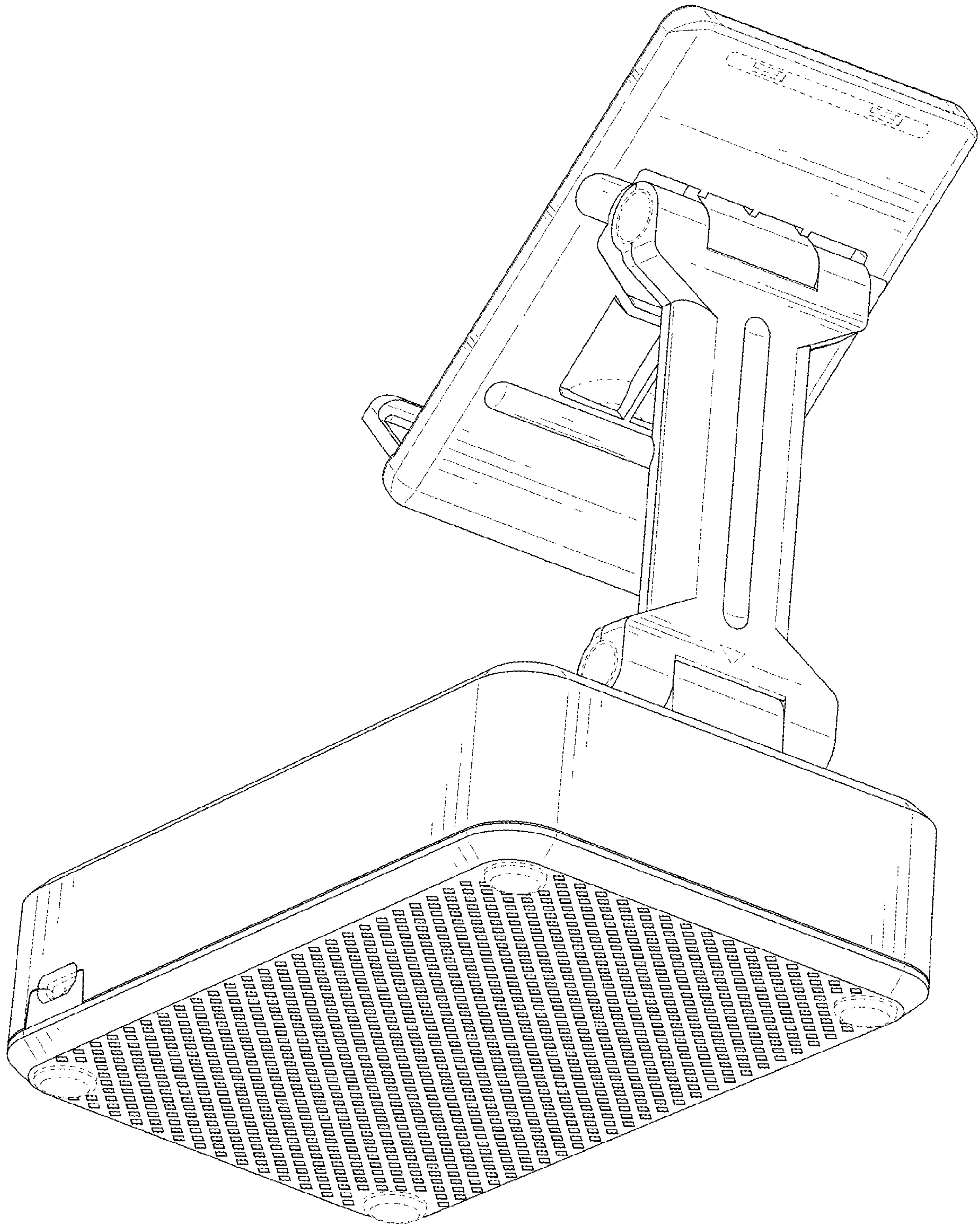


FIG. 2

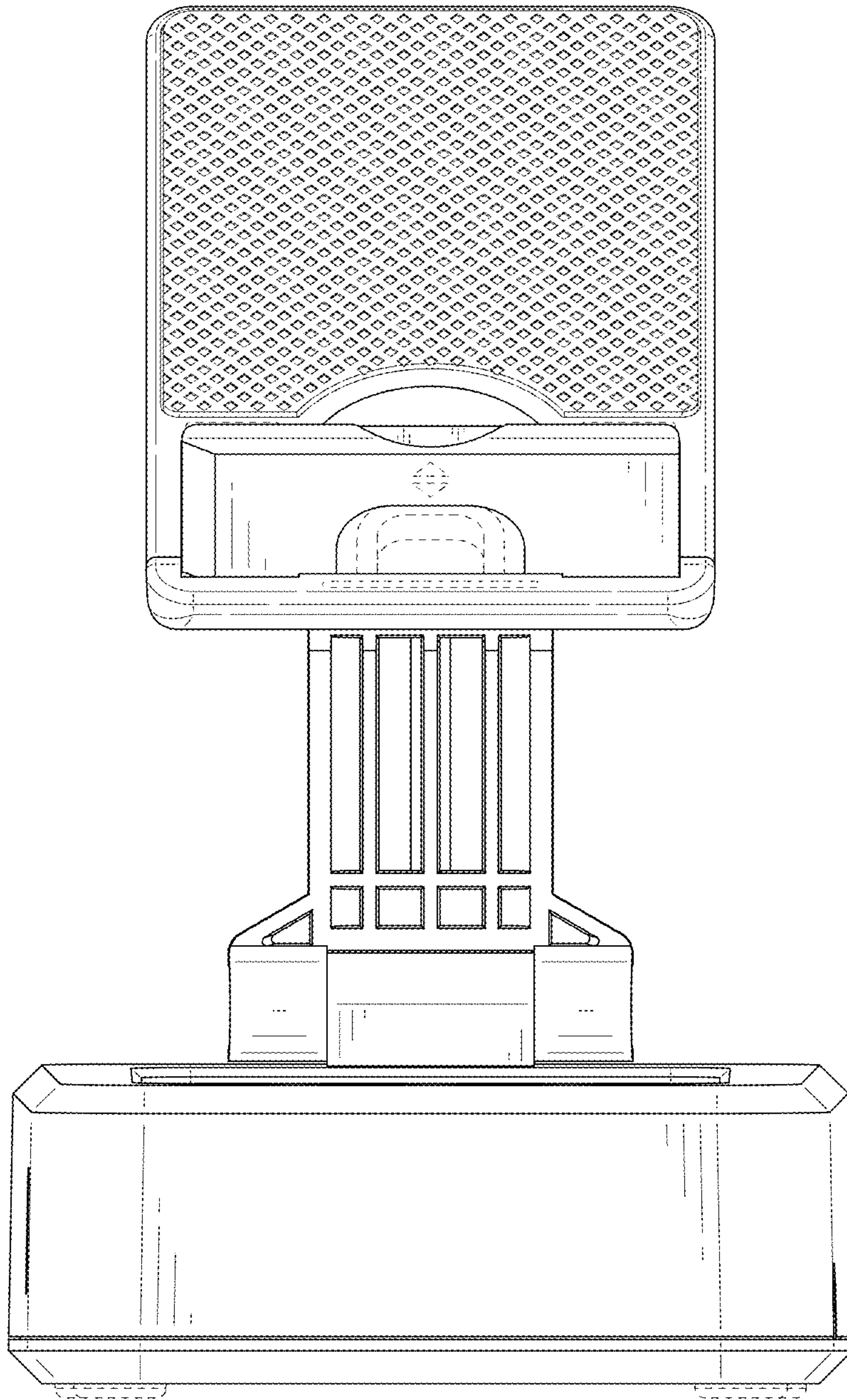


FIG. 3

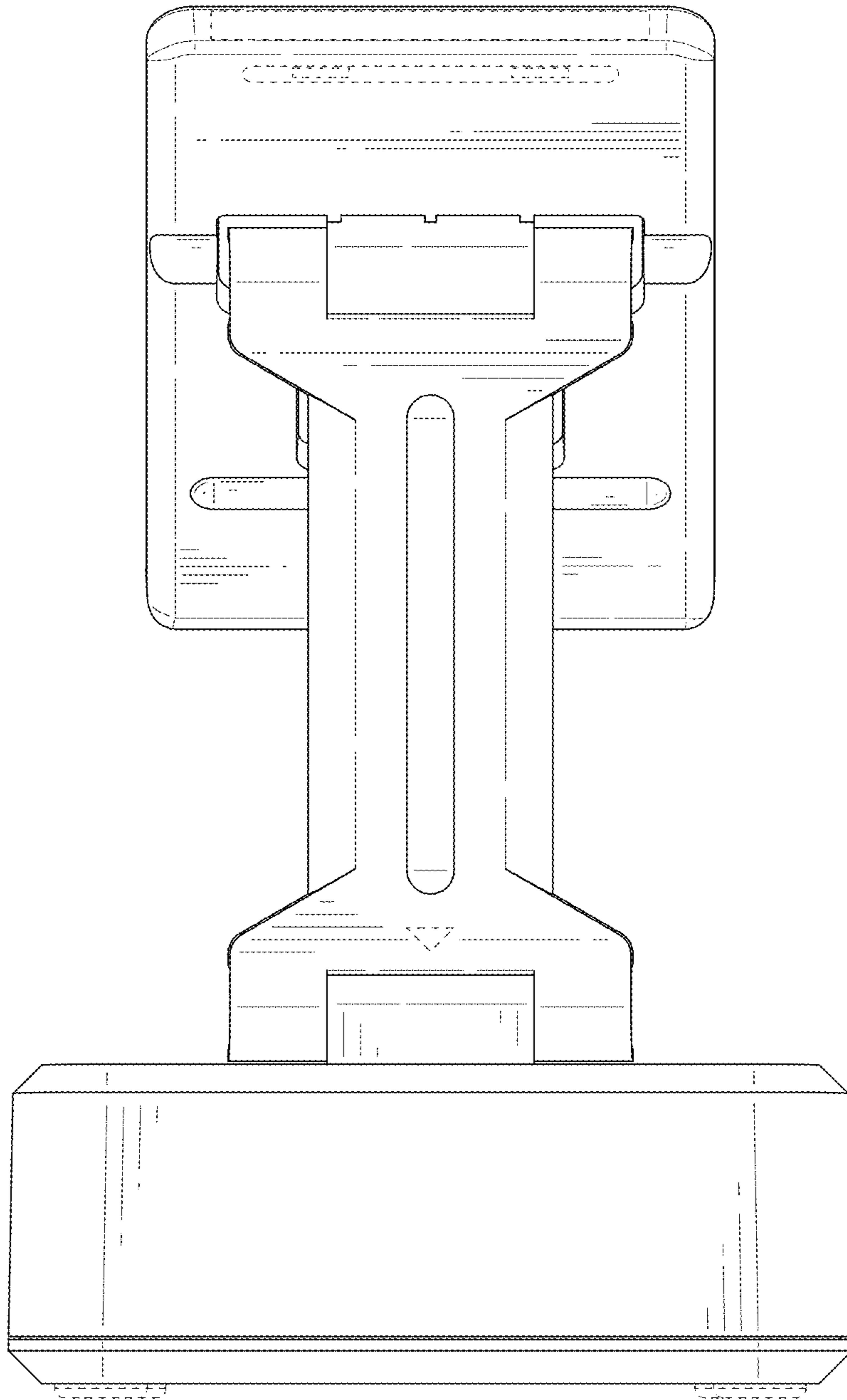


FIG. 4

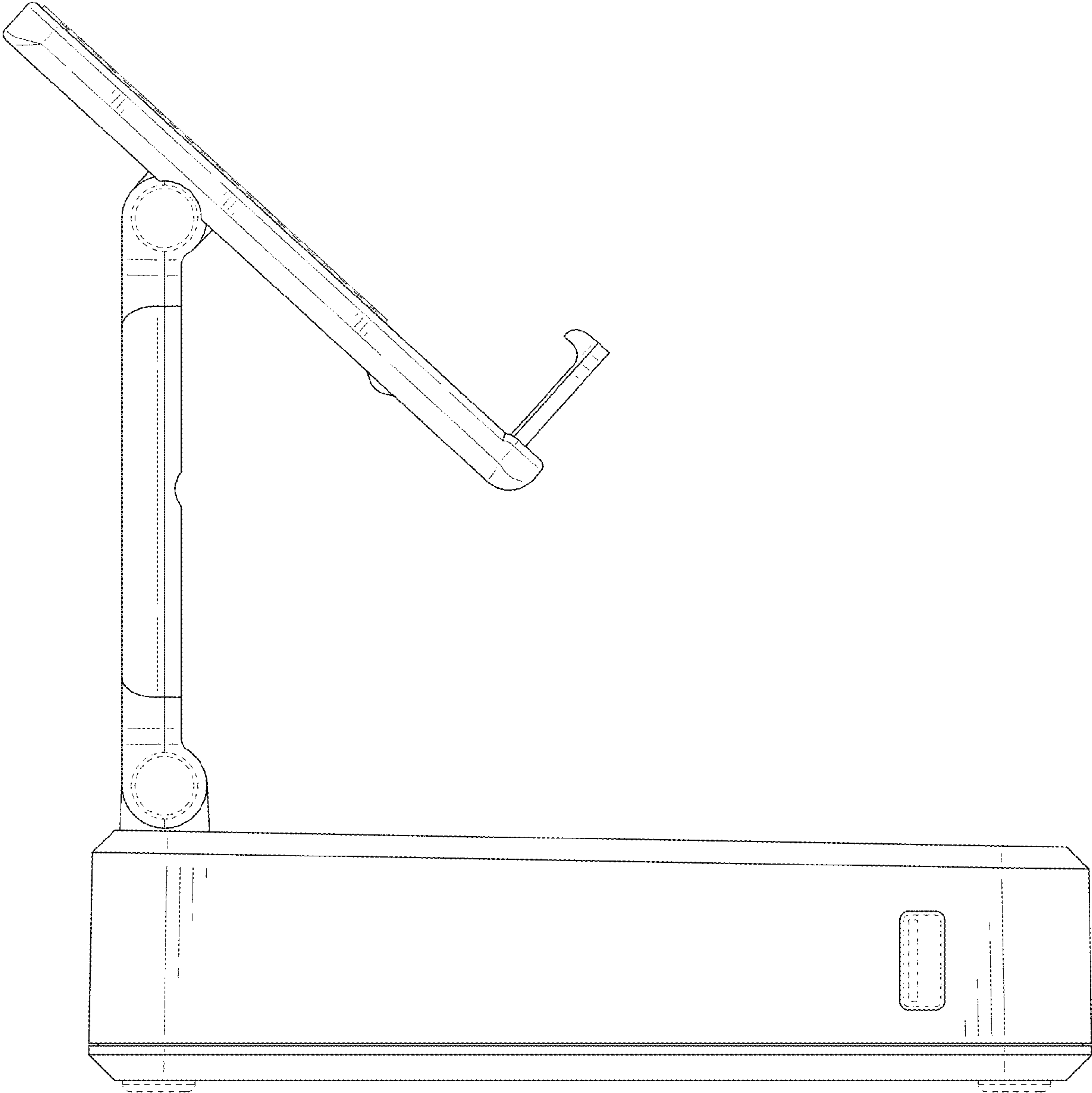


FIG. 5

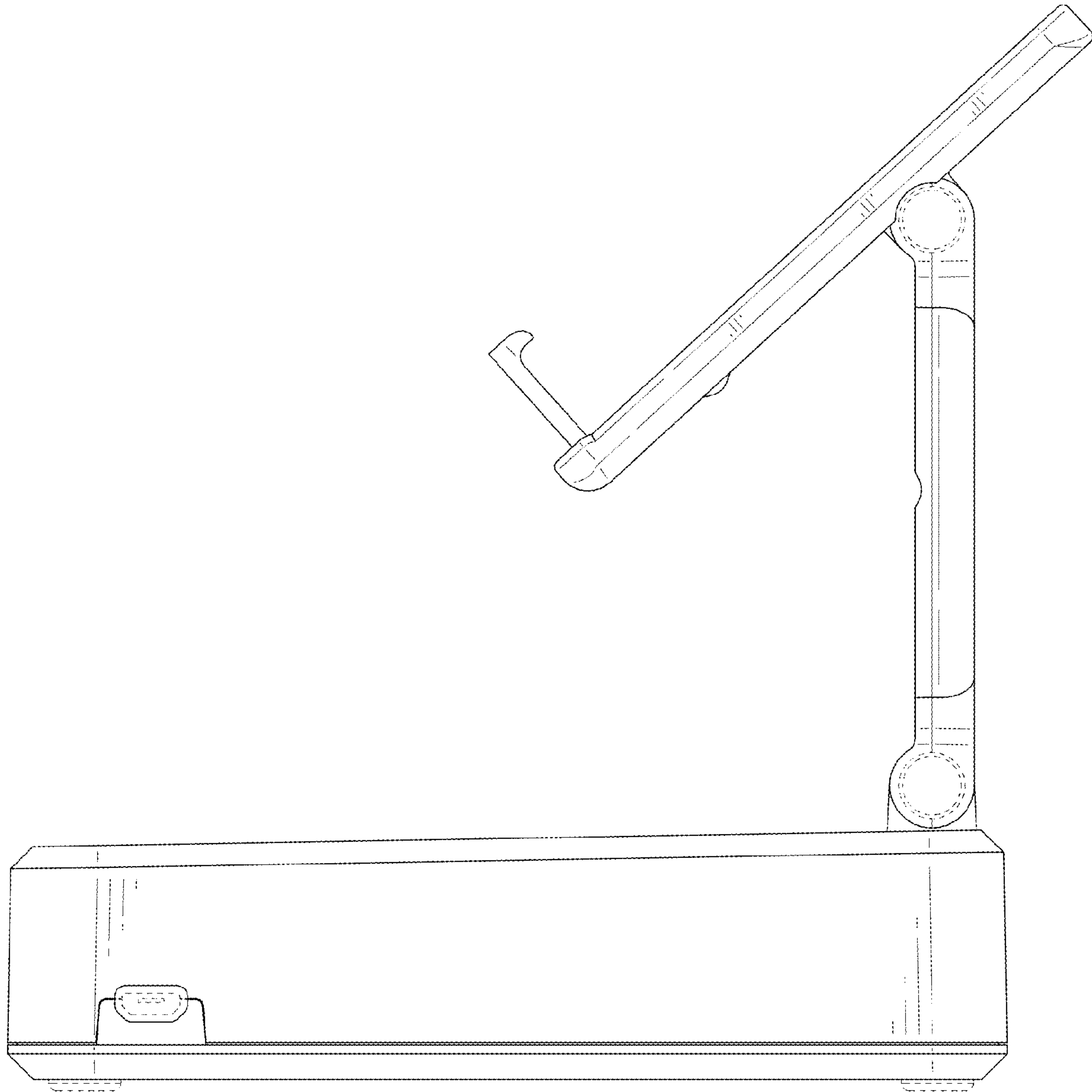


FIG. 6

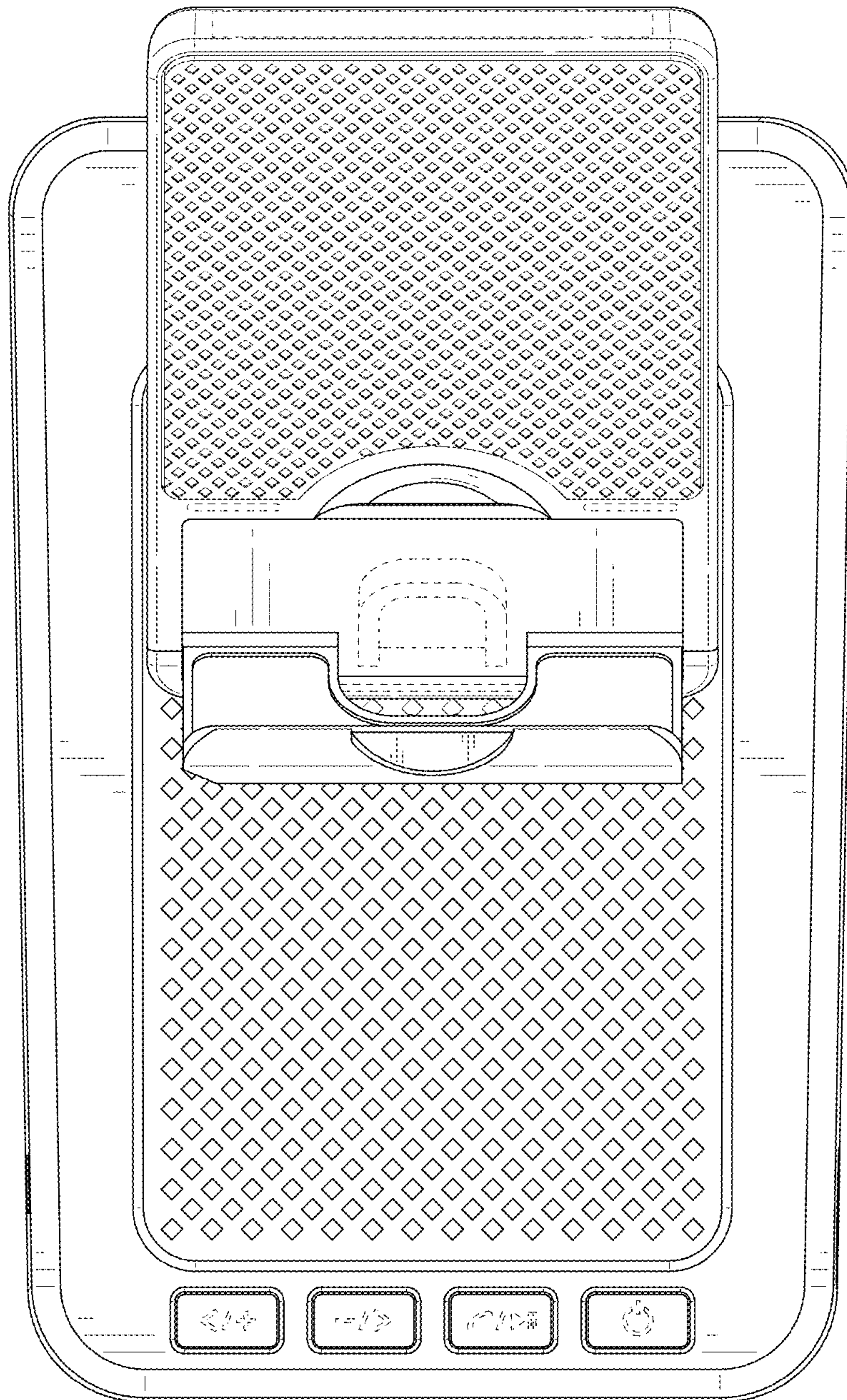


FIG. 7

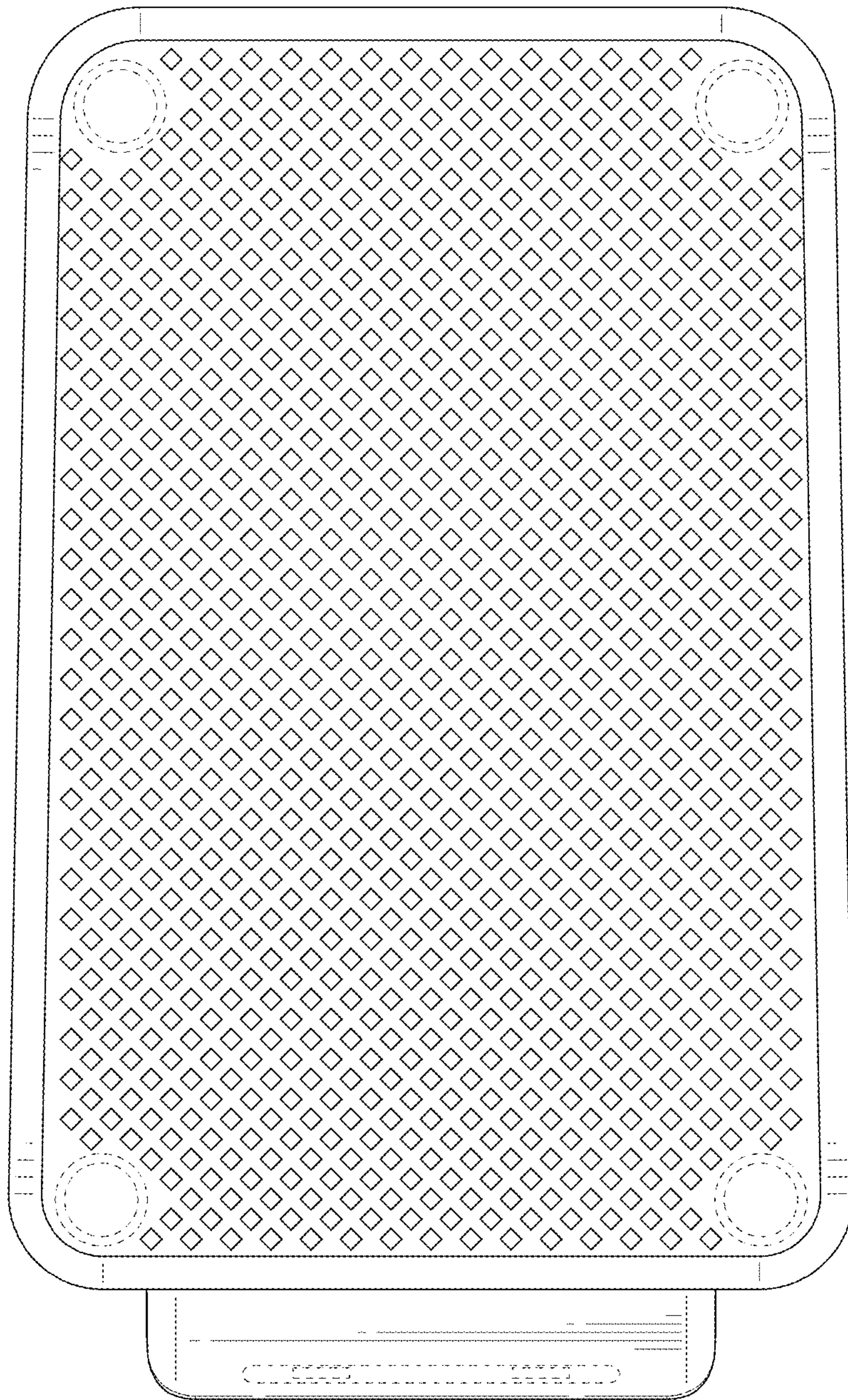


FIG. 8

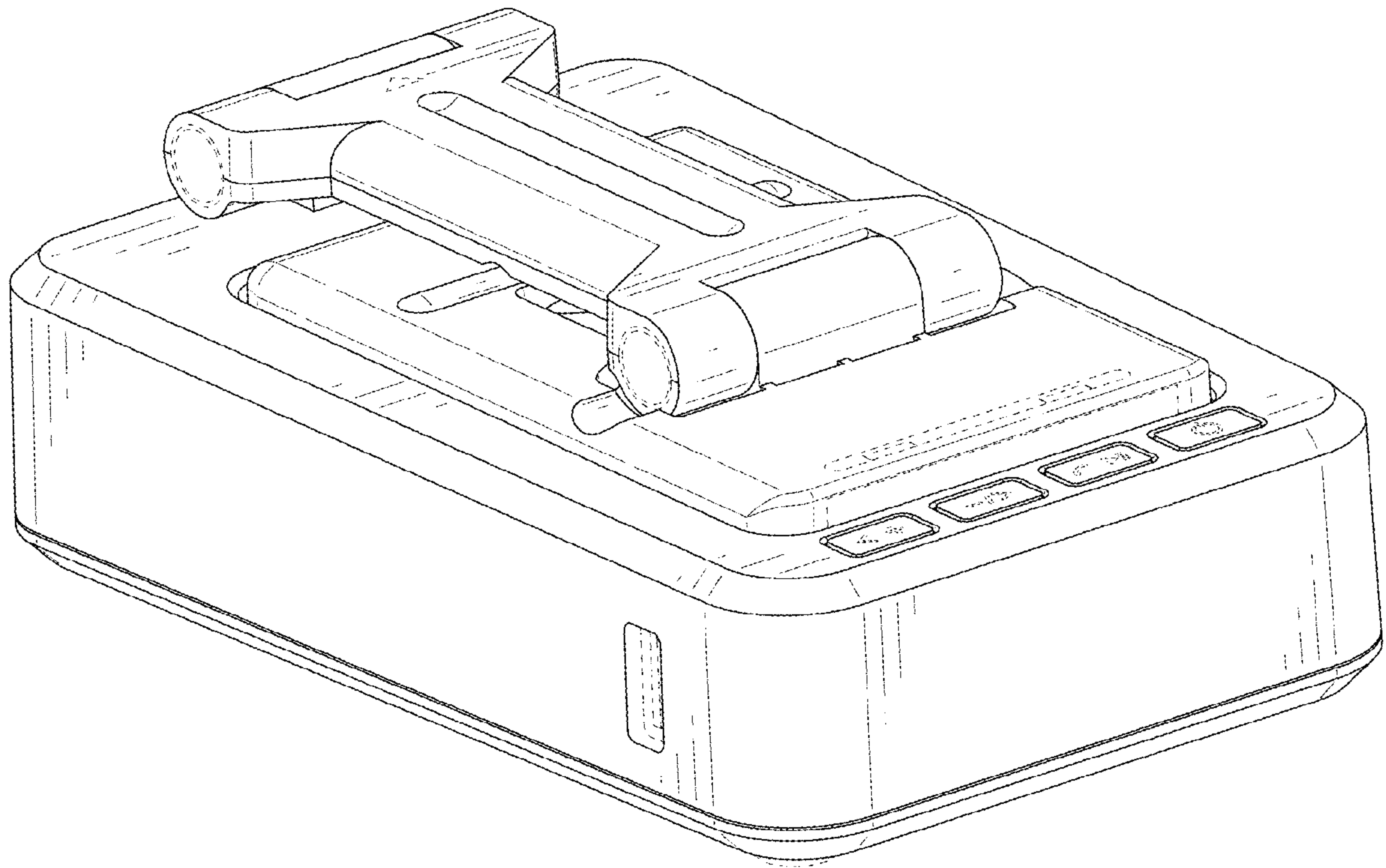


FIG. 9