



US00D911302S

(12) **United States Design Patent** (10) **Patent No.:** **US D911,302 S**
Wahlgren et al. (45) **Date of Patent:** **** Feb. 23, 2021**

(54) **PORTABLE SPEAKER**
(71) Applicant: **Logitech Europe S.A.**, Lausanne (CH)
(72) Inventors: **Pontus Wahlgren**, Oakland, CA (US);
Eric Fields, San Francisco, CA (US);
Jeremiah Baker, Pasadena, CA (US);
Dominic Amae, Vancouver, WA (US)

6,096,160 A 8/2000 Kadomura
6,186,269 B1 2/2001 Vollmer et al.
6,345,685 B1 2/2002 Wells et al.
(Continued)

FOREIGN PATENT DOCUMENTS

CN 103841476 A 6/2014

(73) Assignee: **Logitech Europe S.A.**, Lausanne (CH)

OTHER PUBLICATIONS

(**) Term: **15 Years**

Notice of Allowance dated Jan. 17, 2014 for U.S. Appl. No. 29/437,807, 7 pages.

(21) Appl. No.: **29/655,180**

(Continued)

(22) Filed: **Jun. 29, 2018**

Primary Examiner — Janice Patyk

(51) **LOC (13) Cl.** **14-01**

(74) *Attorney, Agent, or Firm* — Kilpatrick Townsend & Stockton LLP

(52) **U.S. Cl.**

USPC **D14/204**

(58) **Field of Classification Search**

USPC D14/188, 192, 203.1–203.8, 204,
D14/210–213, 215, 216; 181/143, 144,
181/148, 153, 157, 198, 199; 369/6–12;
381/300–303, 361–364, 366, 386–388
CPC H04R 1/02; H04R 1/021; H04R 1/025;
H04R 1/026; H04R 5/00; H04R 9/06;
H04R 19/013; H04R 2400/00

See application file for complete search history.

(57) **CLAIM**

The ornamental design for a portable speaker, as shown and described.

DESCRIPTION

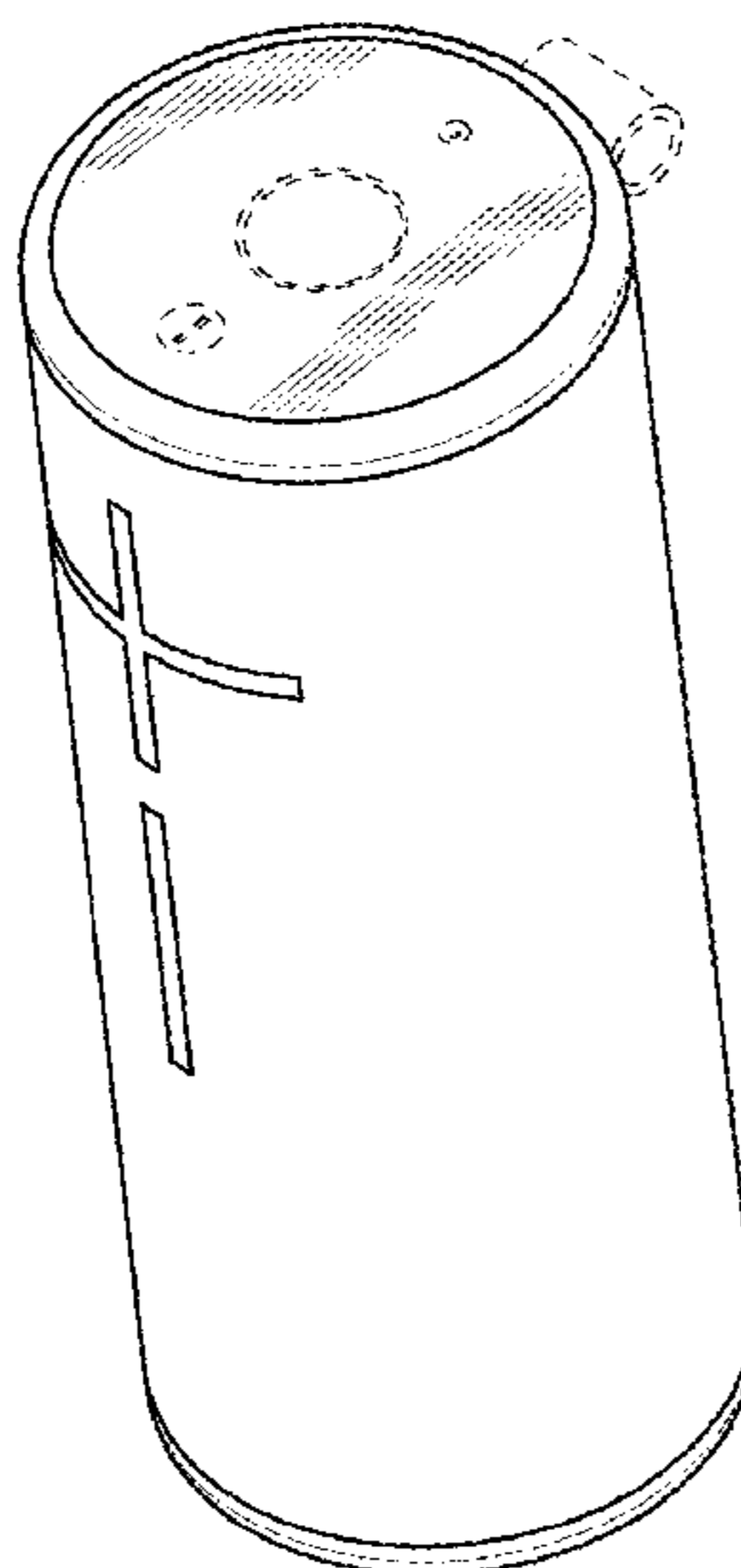
FIG. 1 is a top perspective view of a portable speaker showing our new design;
FIG. 2 is a bottom perspective view thereof;
FIG. 3 is another bottom perspective view thereof;
FIG. 4 is another top perspective view thereof;
FIG. 5 is a top plan view thereof;
FIG. 6 is a bottom plan view thereof;
FIG. 7 is a front elevation view thereof;
FIG. 8 is a rear elevation view thereof;
FIG. 9 is a left side elevation view thereof; and,
FIG. 10 is a right side elevation view thereof.
The broken lines in the figures illustrate the portions of the design that form no part of the claimed design.
The evenly-spaced horizontal broken lines on the rear vertical strip of FIGS. 3, 4, and 8-10 are included to show an unclaimed seam on the article.

(56) **References Cited**

U.S. PATENT DOCUMENTS

3,082,839 A 3/1963 Whitcas
4,325,455 A 4/1982 Kirkpatrick
4,503,292 A 3/1985 Johnson et al.
4,936,410 A 6/1990 Howell
D344,951 S 3/1994 Christie
D349,499 S 8/1994 Collins
5,400,413 A 3/1995 Kindel
5,412,162 A 5/1995 Kindel
5,674,076 A 10/1997 Billings et al.
5,762,194 A 6/1998 Clegg
D402,660 S 12/1998 Swansey
D421,262 S 2/2000 Warren

1 Claim, 5 Drawing Sheets



(56)

References Cited

U.S. PATENT DOCUMENTS

6,431,308 B1 8/2002 Vollmer et al.
 D483,350 S 12/2003 Chen
 6,973,994 B2 12/2005 Mackin et al.
 D513,746 S 1/2006 Allen
 D551,656 S 9/2007 Ritscher et al.
 D555,636 S 11/2007 Chen et al.
 D570,826 S 6/2008 Fong
 D571,359 S 6/2008 Chang
 D573,579 S 7/2008 Yamaguchi
 D574,363 S 8/2008 Laituri et al.
 D583,803 S 12/2008 Lum et al.
 D588,576 S 3/2009 Son et al.
 D594,856 S * 6/2009 Marshall D14/228
 D597,529 S 8/2009 Tan et al.
 D598,899 S * 8/2009 Tkachuk D14/216
 D599,326 S * 9/2009 Martikainen D14/211
 D603,845 S 11/2009 Tkachuk
 D604,720 S 11/2009 Liu
 D607,878 S 1/2010 Murray
 D611,450 S * 3/2010 Miyazaki D14/209.1
 D616,420 S 5/2010 Morimoto
 D619,119 S * 7/2010 Graber D14/216
 D620,475 S 7/2010 Graber
 D621,386 S 8/2010 Chang
 7,787,912 B2 8/2010 Saila
 D625,706 S 10/2010 Graber
 7,814,583 B2 10/2010 Lerma
 D633,898 S 3/2011 Seo et al.
 D635,552 S 4/2011 Yokoyama
 D636,379 S 4/2011 Kim et al.
 D641,340 S 7/2011 Huh
 D642,159 S 7/2011 Joseph
 D644,206 S 8/2011 Ponnert
 D659,120 S 5/2012 Kim et al.
 D659,675 S 5/2012 Kim et al.
 D659,677 S 5/2012 Kim et al.
 D667,389 S 9/2012 Yokoyama
 D669,108 S * 10/2012 Maeyama D16/202
 D670,271 S 11/2012 Tzeng
 D674,776 S 1/2013 Cmehil
 D676,418 S 2/2013 Suzuki
 D679,678 S 4/2013 Uesugi
 D680,517 S 4/2013 Khoo et al.
 D685,349 S 7/2013 Ohno et al.
 D687,016 S 7/2013 Brunner et al.
 D687,017 S 7/2013 Ashcraft et al.
 D687,810 S 8/2013 Son et al.
 D690,281 S 9/2013 Carr et al.
 8,540,855 B2 9/2013 Hayakawa et al.
 D691,117 S 10/2013 Silvera
 D691,587 S 10/2013 Ferber et al.
 D692,411 S 10/2013 Joseph
 D692,413 S 10/2013 Holzer
 D692,860 S 11/2013 Paterson
 D692,861 S 11/2013 Paterson
 D693,330 S 11/2013 Lee

D693,794 S 11/2013 Nauroy
 D694,218 S 11/2013 Szymanski
 D698,753 S 2/2014 Yiu et al.
 D706,743 S 6/2014 Lukic et al.
 D725,076 S * 3/2015 Wong D14/216
 D725,077 S * 3/2015 Wong D14/216
 D726,155 S 4/2015 Cheng et al.
 D726,686 S * 4/2015 Yoon D14/216
 D727,298 S 4/2015 Chang
 9,002,041 B2 4/2015 McGarry et al.
 D742,358 S 11/2015 Alves et al.
 D750,597 S * 3/2016 Fischer D14/216
 D752,553 S 3/2016 Lee et al.
 D753,630 S 4/2016 Kim
 D753,631 S 4/2016 Holzer
 D758,348 S * 6/2016 Lukic D14/216
 D760,195 S * 6/2016 Lukic D14/216
 D765,618 S 9/2016 Alves et al.
 D774,020 S 12/2016 Hinokio
 9,544,670 B2 1/2017 Yim et al.
 2008/0095395 A1 4/2008 Pieklik et al.
 2008/0165997 A1 7/2008 Skurdal et al.
 2008/0226096 A1 9/2008 Waddell et al.
 2012/0121924 A1 5/2012 Miller et al.
 2014/0140556 A1 5/2014 Yim et al.
 2016/0080858 A1 3/2016 Wilke

OTHER PUBLICATIONS

Carnoy, David A Bluetooth speaker for the great outdoors, Posting date Oct. 3, 2013, © CBS Interactive Inc. All rights reserved [online], [site visited on Jan. 10, 2019], <<https://www.cnet.com/reviews/logitech-ue-boom-review/>>.
 Apple Insider: Review: Ultimate Ears Boom Bluetooth portable speaker, Posting date Sunday Dec. 1, 2013, Copyright© 2013, Apple Insider.com [online], site visited on Jan. 10, 2019, <<https://appleinsider.com/articles/13/12/01/review-ultimate-ears-boom-bluetooth-portable-speaker>>.
 Ex Parte Quayle Action dated Jun. 3, 2016 for U.S. Appl. No. 29/468,185, 10 pages.
 Non-Final Office Action dated Nov. 6, 2015 for U.S. Appl. No. 29/468,185, 6 pages.
 Notice of Allowance dated Aug. 12, 2016 for U.S. Appl. No. 29/468,185, 6 pages.
 Notice of Allowance dated Jan. 20, 2017 for U.S. Appl. No. 29/576,158, 8 pages.
 Ex Parte Quayle Action for U.S. Appl. No. 29/512,593 dated Nov. 24, 2015, 6 pages.
 Notice of Allowance for U.S. Appl. No. 29/512,593 dated Jan. 29, 2016, 5 pages.
 Ex Parte Quayle Action for U.S. Appl. No. 29/520,172 dated Nov. 25, 2015, 5 pages.
 Notice of Allowance for U.S. Appl. No. 29/520,172 dated Feb. 22, 2016, 7 pages.

* cited by examiner

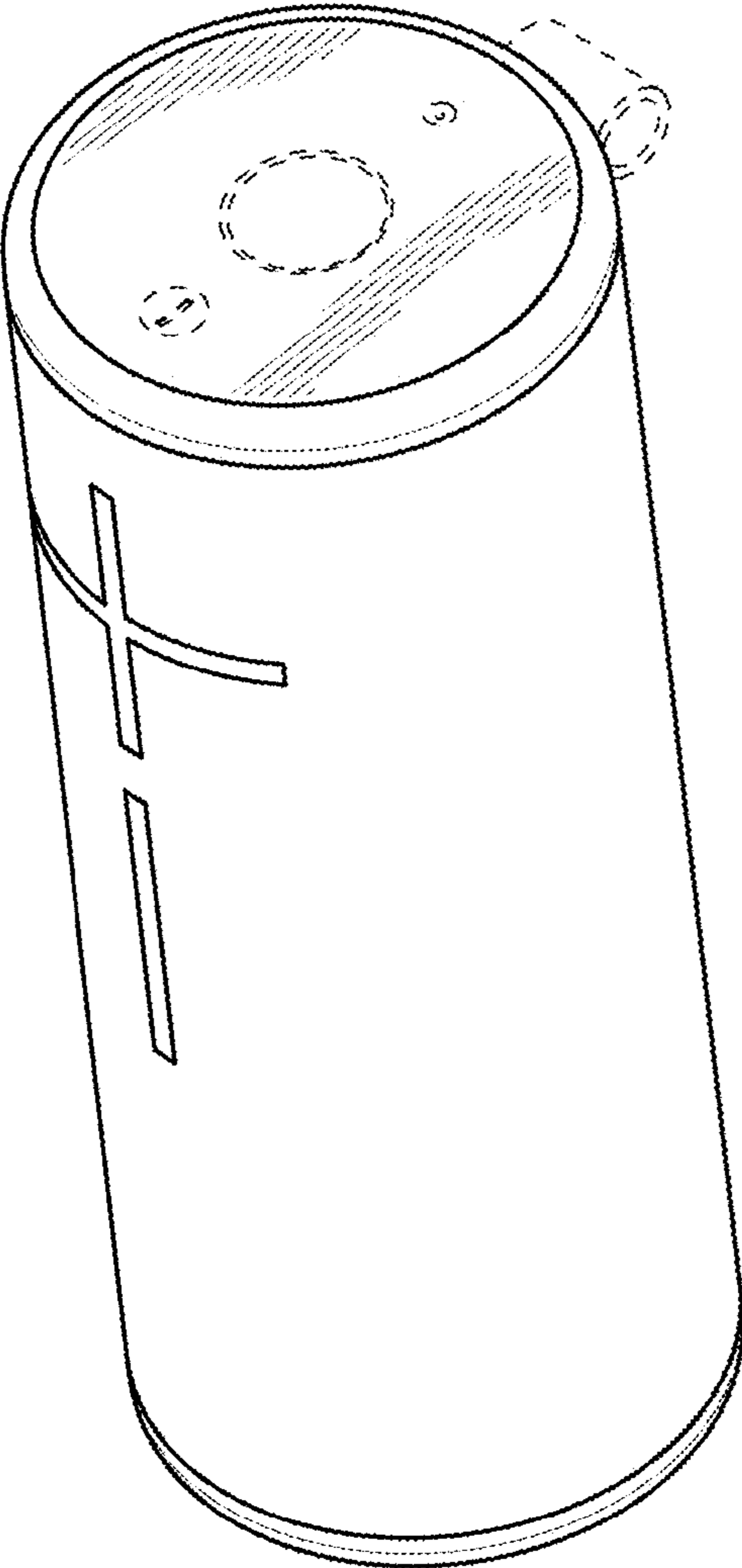


FIG. 1

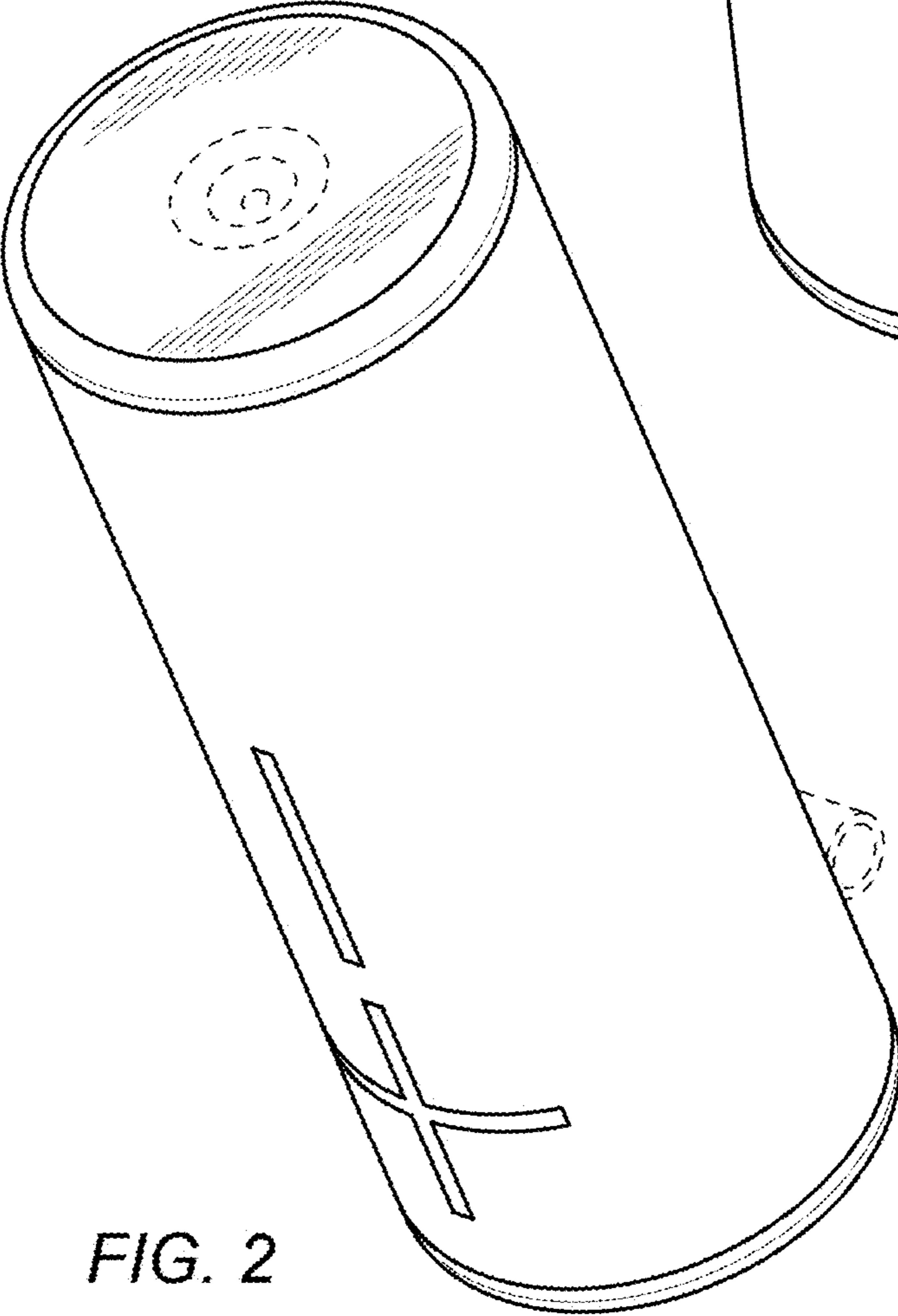


FIG. 2

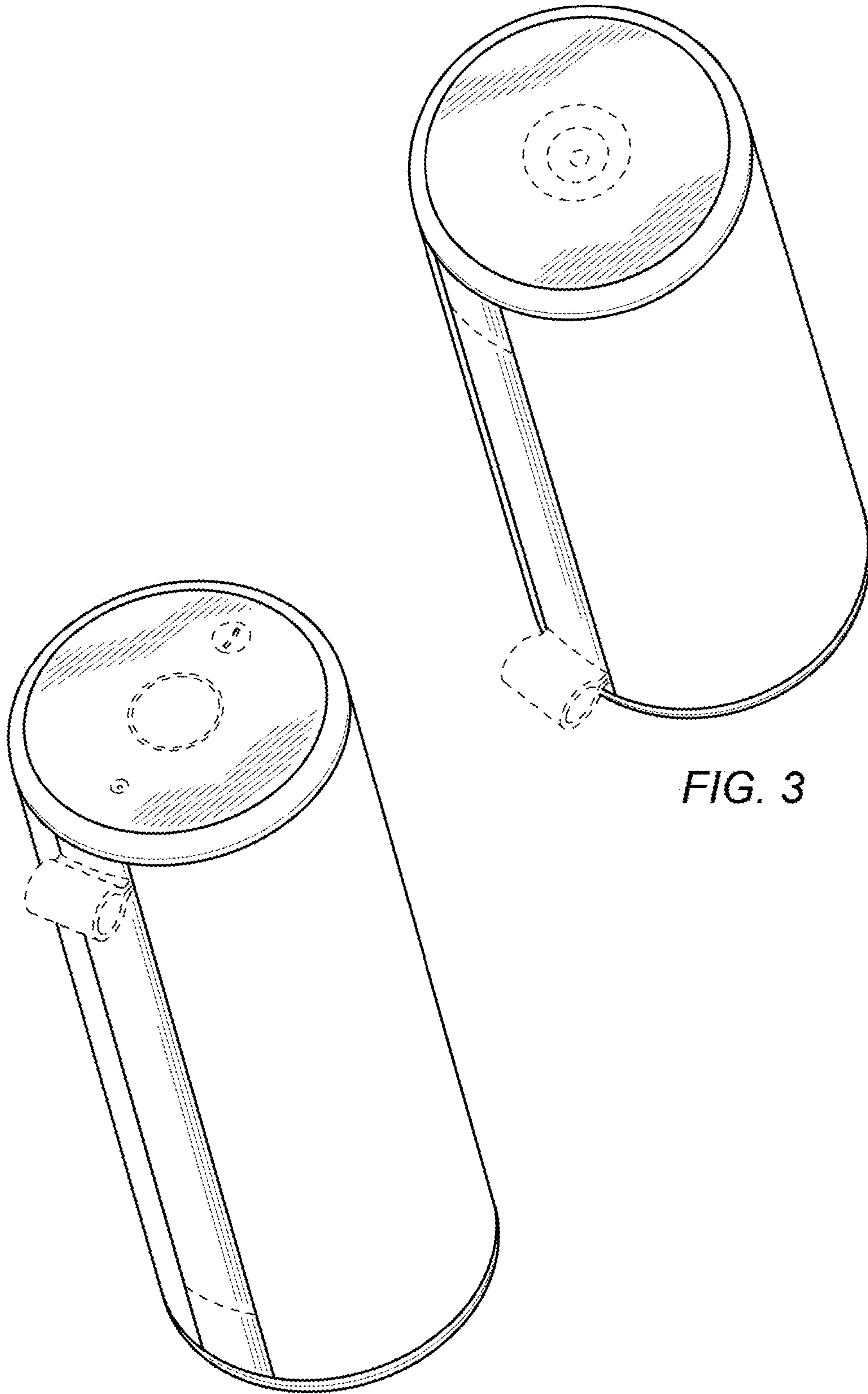


FIG. 3

FIG. 4

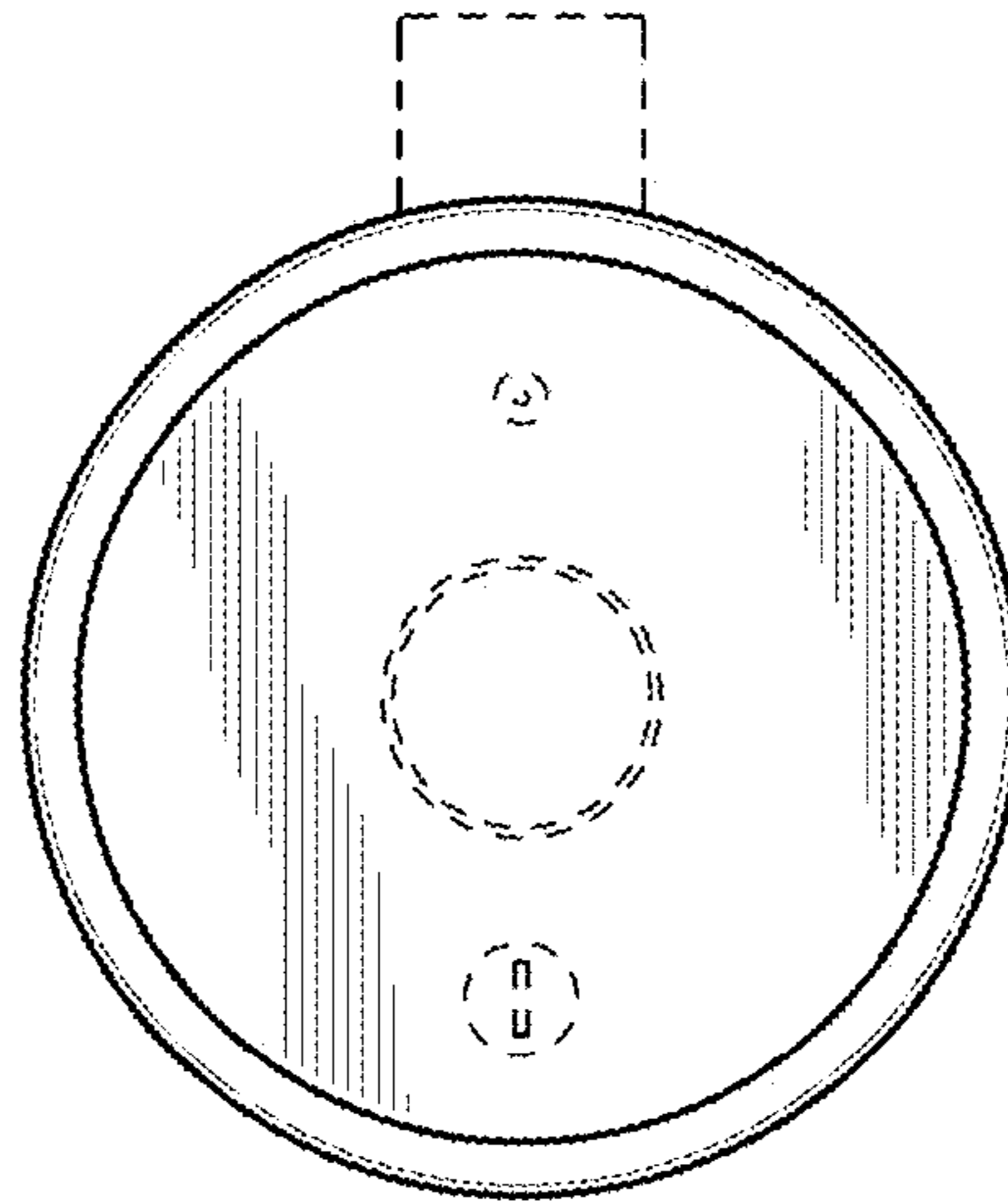


FIG. 5

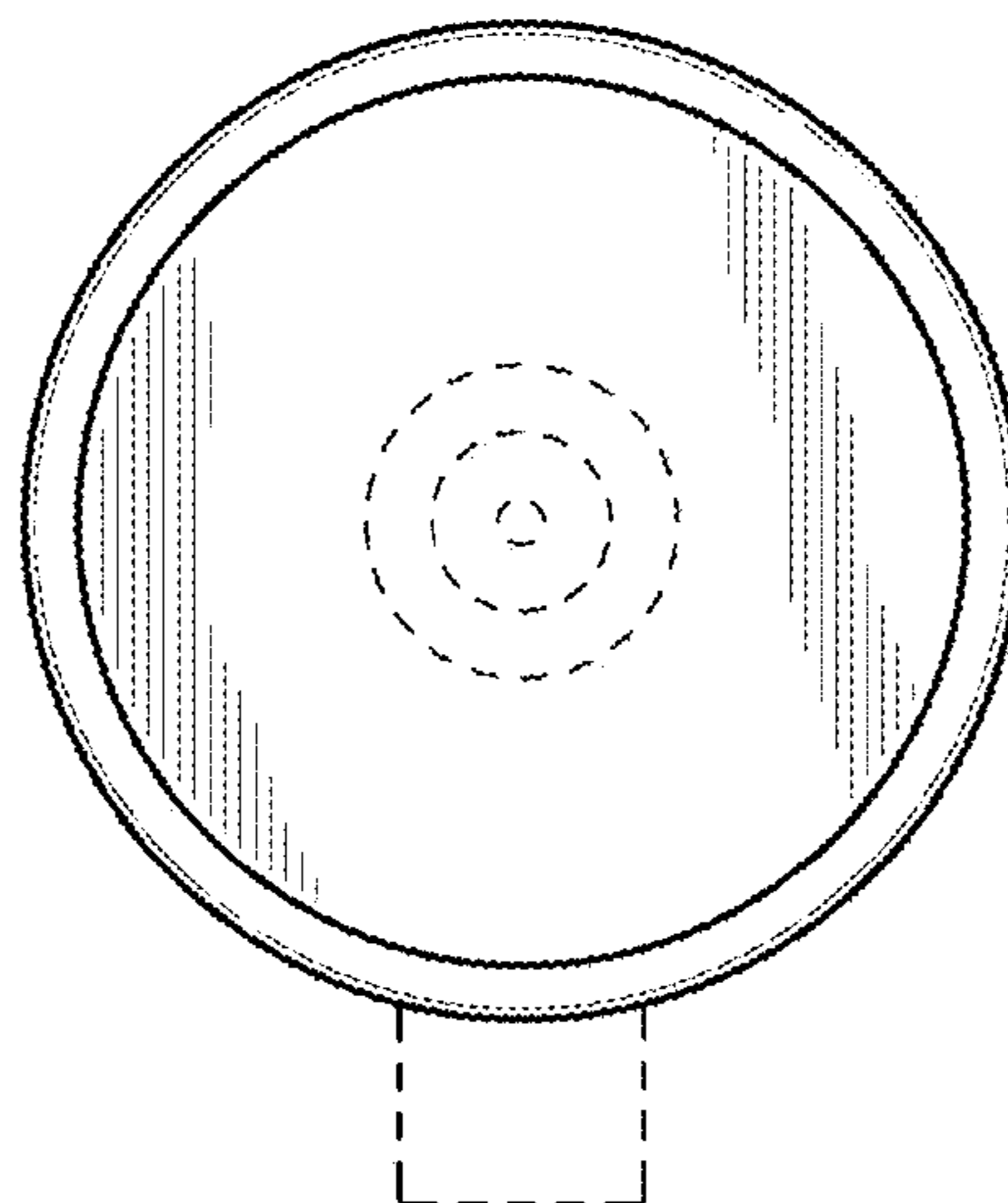


FIG. 6

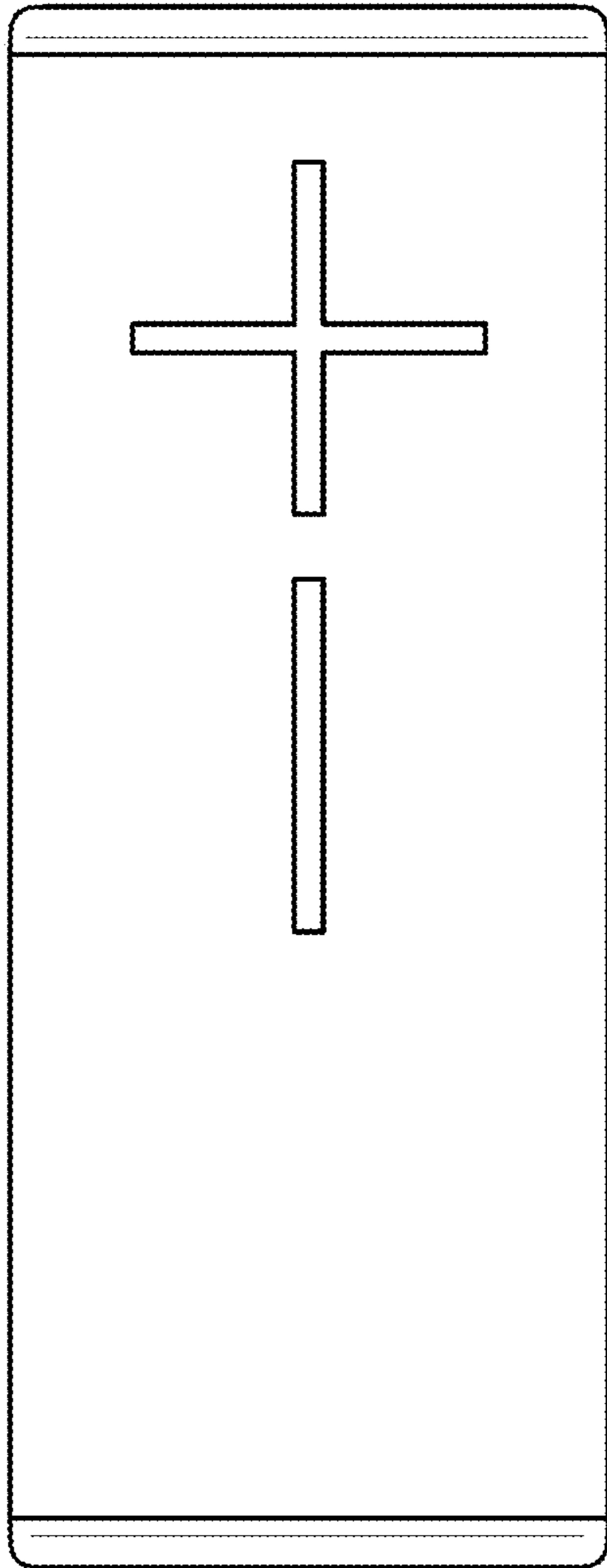


FIG. 7

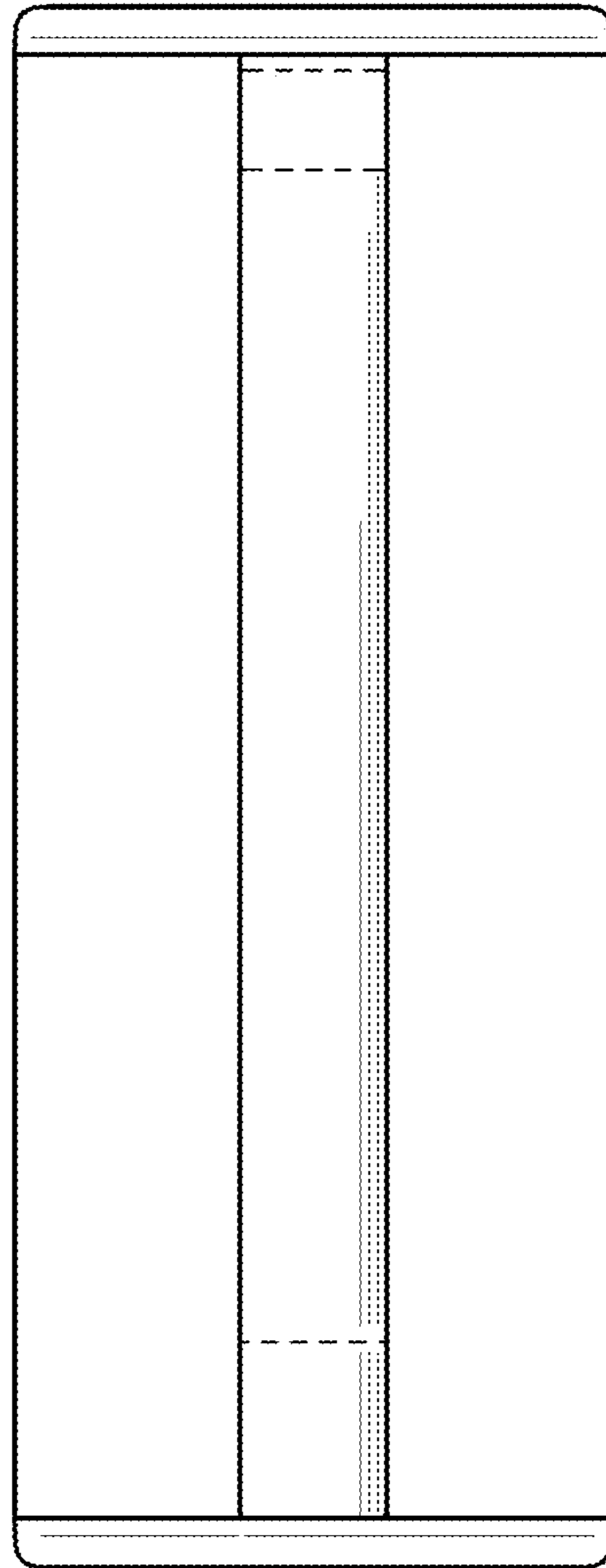


FIG. 8

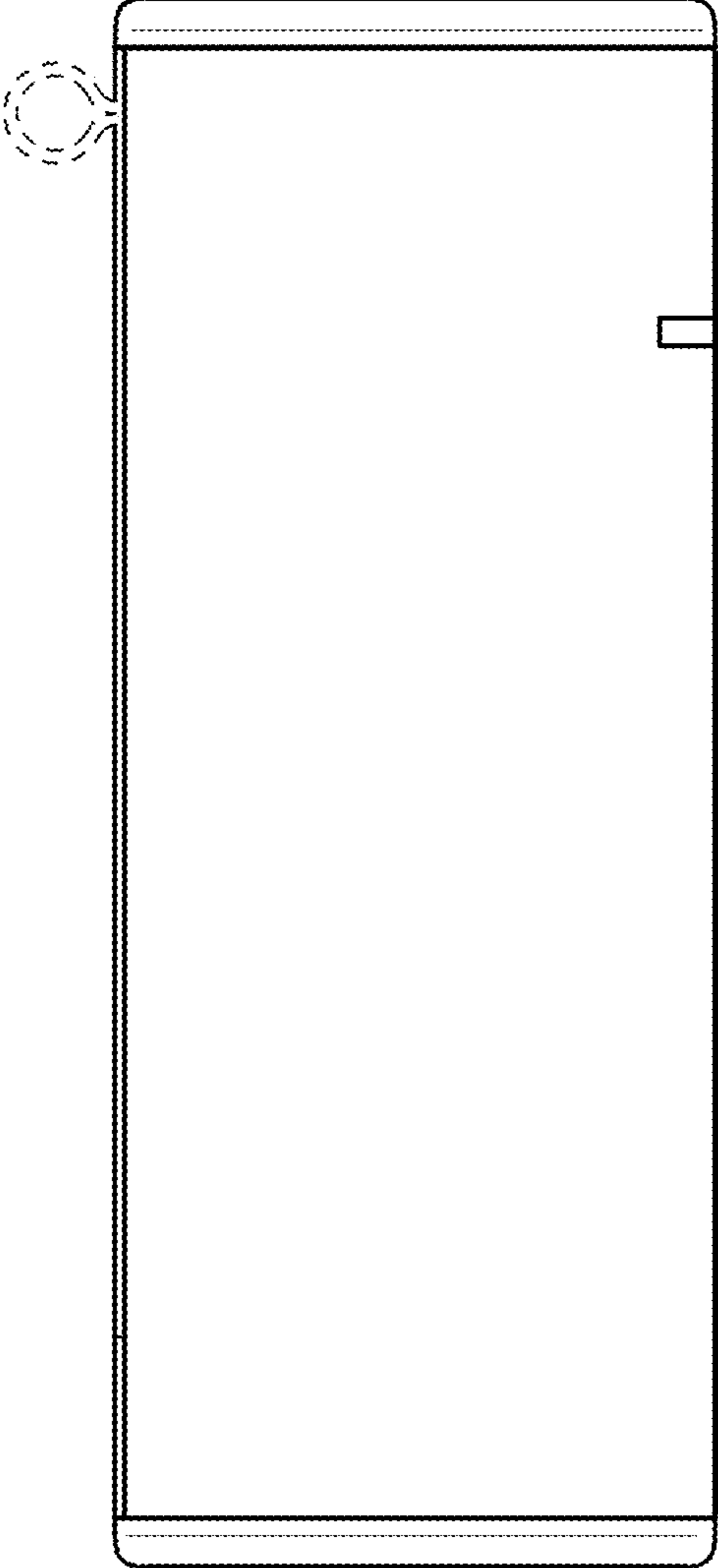


FIG. 9

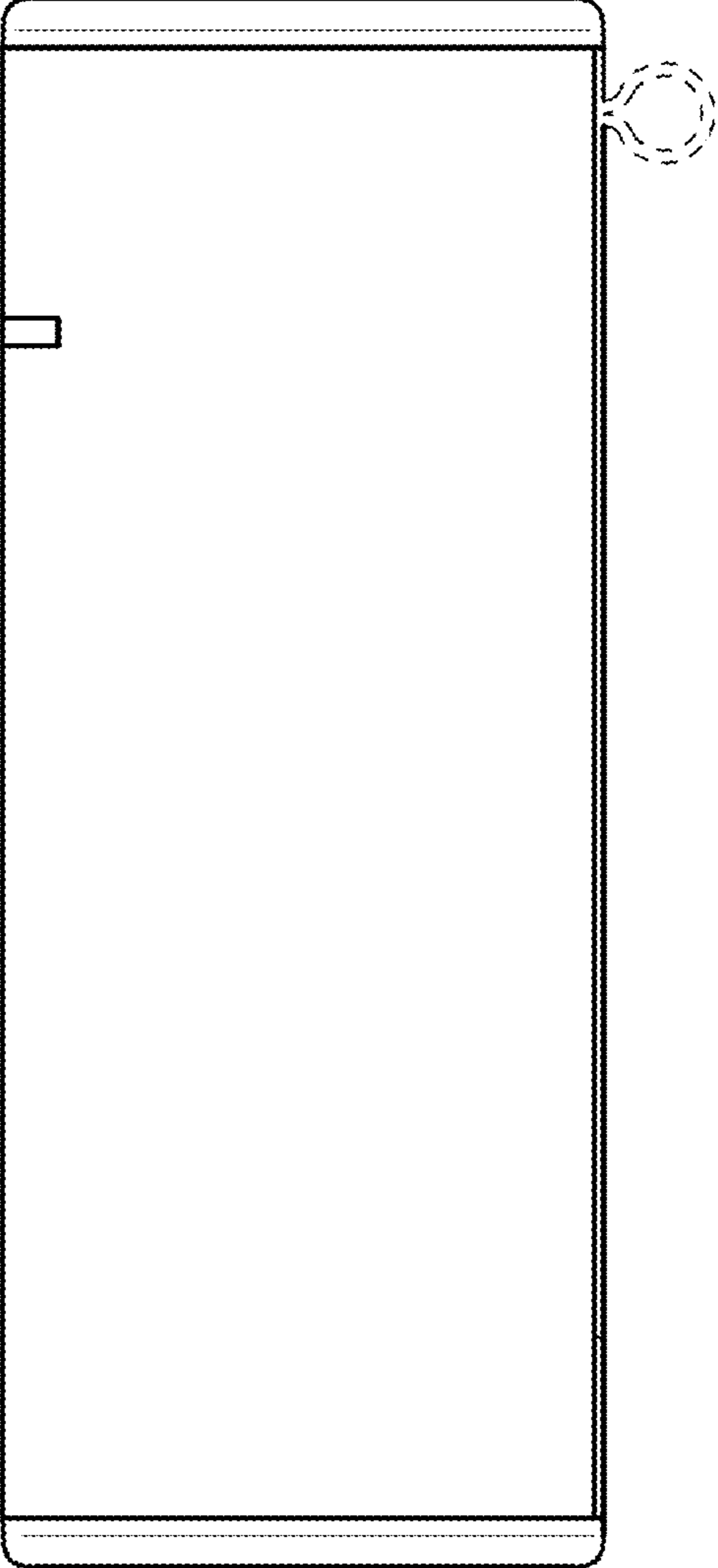


FIG. 10