



US00D911298S

(12) **United States Design Patent** (10) **Patent No.:** **US D911,298 S**  
**Krasnopolski et al.** (45) **Date of Patent:** **\*\* Feb. 23, 2021**

(54) **CHIP**

(71) Applicant: **STAT PEEL AG**, Glarus (CH)

(72) Inventors: **Krzysztof Krasnopolski**, Alpnach (CH); **David Schmid**, Untervaz (CH); **Fatma Burcu Celikkol Zijlstra**, Zürich (CH); **Joanna Alicja Borek-Donten**, Zürich (CH); **Ruedi Bieri**, Glarus (CH)

(73) Assignee: **STAT PEEL AG**, Glarus (CH)

(\*\*) Term: **15 Years**

(21) Appl. No.: **29/733,401**

(22) Filed: **May 1, 2020**

**Related U.S. Application Data**

(62) Division of application No. 29/614,262, filed on Aug. 17, 2017, now Pat. No. Des. 887,998.

(30) **Foreign Application Priority Data**

Feb. 17, 2017 (WO) ..... DM/096232  
Feb. 17, 2017 (WO) ..... DM/096233

(51) **LOC (13) Cl.** ..... **13-03**

(52) **U.S. Cl.**  
USPC ..... **D13/182**

(58) **Field of Classification Search**  
USPC ..... D13/182, 117, 133; 174/528, 531, 533, 174/536, 537; 361/679, 728, 736, 737, 361/742, 752, 802, 818; 257/679, 666, 257/670, 678, 690, 692, 734, 735, 922, 257/531, 787, 788; 439/328, 377  
CPC ..... H01L 23/02; H01L 23/58; H01L 23/48; H01L 23/52; H01L 29/00; H01L 29/40  
See application file for complete search history.

(56) **References Cited**

U.S. PATENT DOCUMENTS

D310,514 S	9/1990	Maurer	
5,148,265 A *	9/1992	Khandros	H01L 21/6836 257/773
5,148,266 A *	9/1992	Khandros	H01L 21/6836 257/773
D365,092 S	12/1995	Mundigl	
D406,822 S	3/1999	Huber	
D430,024 S	8/2000	Besemer	
6,201,296 B1	3/2001	Fries	
6,211,572 B1	4/2001	Fjelstad	
6,297,561 B1	10/2001	Liu	
6,307,269 B1	10/2001	Akiyama	
D456,367 S	4/2002	Matteson	
6,410,355 B1 *	6/2002	Wallace	G11C 5/04 257/678
6,441,473 B1 *	8/2002	Deshmukh	H01L 23/293 257/669
D466,873 S	12/2002	Kasem	
D472,528 S	4/2003	Kasem	

(Continued)

*Primary Examiner* — Elizabeth J Oswecki

(74) *Attorney, Agent, or Firm* — Sughrue Mion, PLLC

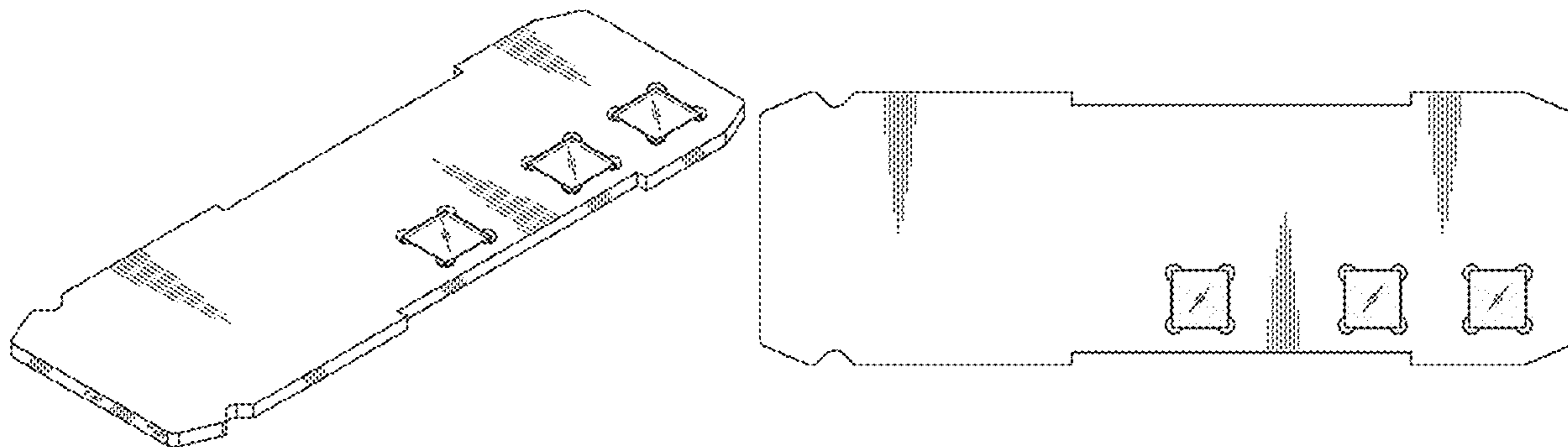
(57) **CLAIM**

The ornamental design for a chip, as shown and described.

**DESCRIPTION**

FIG. 1 is a perspective view of the chip, showing our new design;  
FIG. 2 is a top view thereof;  
FIG. 3 is a bottom view thereof;  
FIG. 4 is a front view thereof;  
FIG. 5 is a rear view thereof;  
FIG. 6 is a left side view thereof; and,  
FIG. 7 is a right side view thereof.  
The broken lines shown in the drawings represent portions of the chip that form no part of the claimed design.

**1 Claim, 3 Drawing Sheets**



(56)

References Cited

U.S. PATENT DOCUMENTS

7,307,848	B2 *	12/2007	Takiar	.....	G06K 19/077 361/736	D711,842	S	8/2014	Jenni	
7,525,200	B2	4/2009	Yuzawa			D715,234	S	10/2014	Chan	
7,538,442	B2 *	5/2009	Nakanishi	.....	H01L 24/06 257/786	D720,354	S *	12/2014	Komatsu	..... D14/437
7,830,666	B2 *	11/2010	Hiew	.....	H01L 24/97 361/737	D727,861	S	4/2015	Tang	
7,838,892	B2 *	11/2010	Wirth	.....	H01L 33/62 257/91	D728,577	S *	5/2015	Amit	..... D14/435
7,919,873	B2 *	4/2011	Lee	.....	H01L 23/3114 257/778	D730,906	S *	6/2015	Amit	..... D14/435
8,148,806	B2 *	4/2012	Lin	.....	H05K 1/0231 257/686	D736,212	S	8/2015	Kang	
8,291,144	B2 *	10/2012	Pinto	.....	G06F 13/409 710/301	D756,317	S *	5/2016	Finn	..... D13/182
D675,582	S	2/2013	Segler			D773,467	S *	12/2016	Cho	..... D14/436
						D864,968	S *	10/2019	Beals	..... D14/436
						D887,998	S *	6/2020	Krasnopolski	..... D13/182
						2005/0082375	A1 *	4/2005	Nishizawa	..... G06K 19/077 235/492
						2009/0230537	A1	9/2009	Liu	
						2012/0117315	A1 *	5/2012	Okada	..... G06K 19/07732 711/103
						2014/0106621	A1 *	4/2014	Wu	..... G06K 19/063 439/630

\* cited by examiner

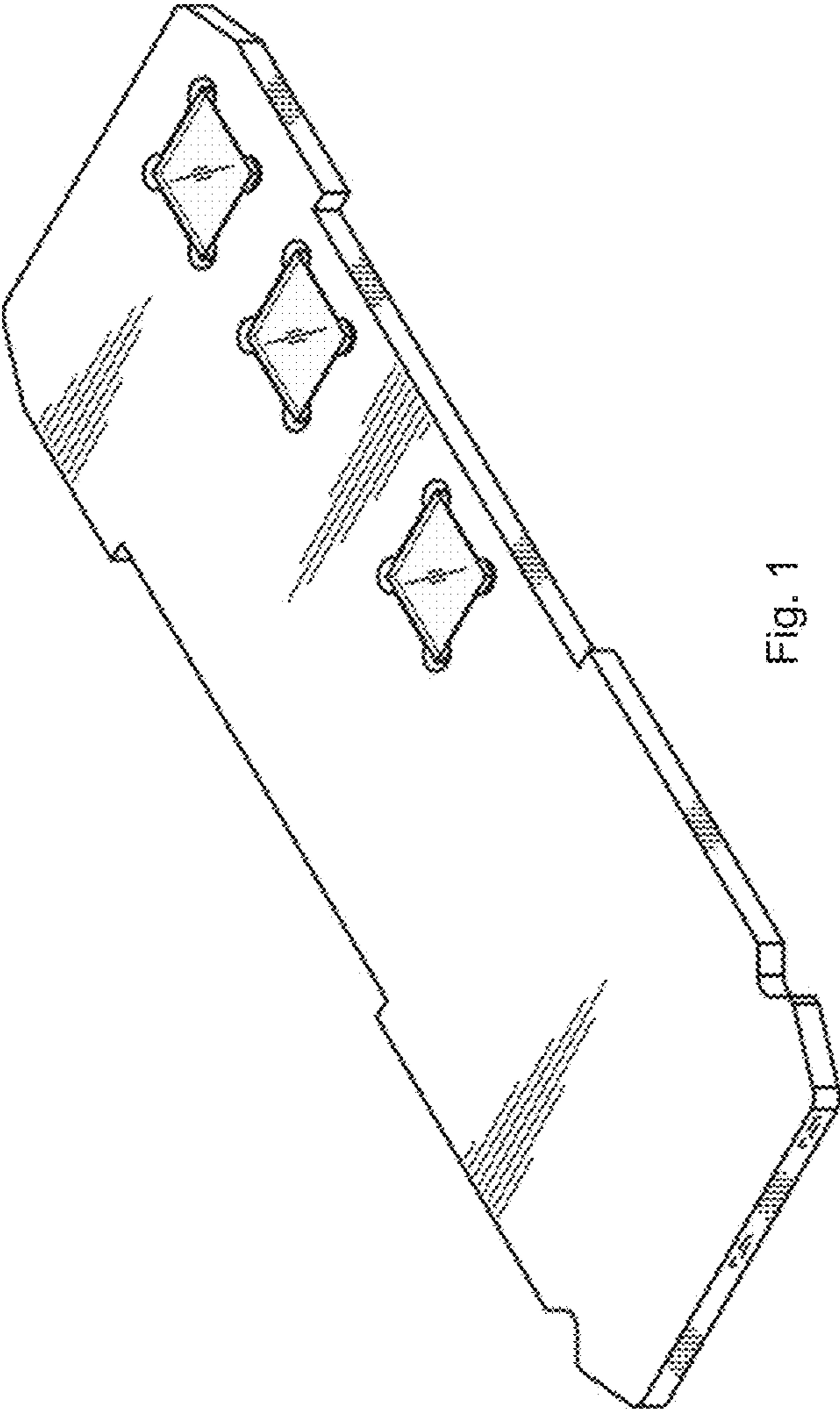


Fig. 1

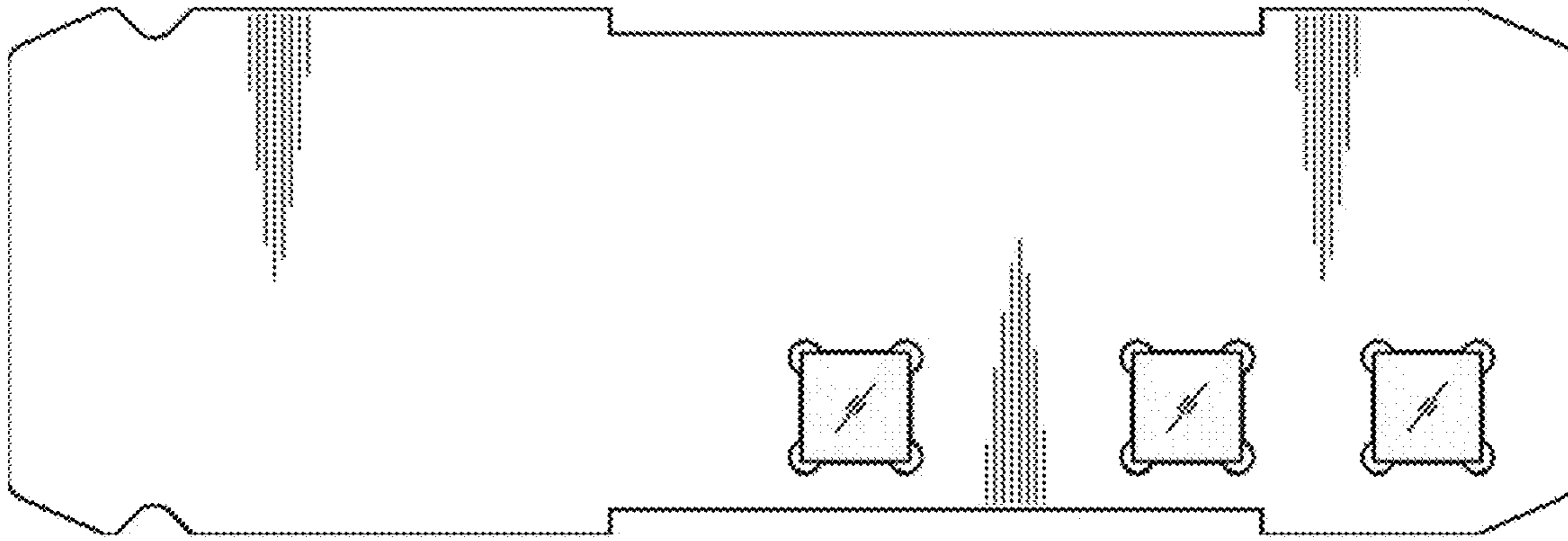


Fig. 2

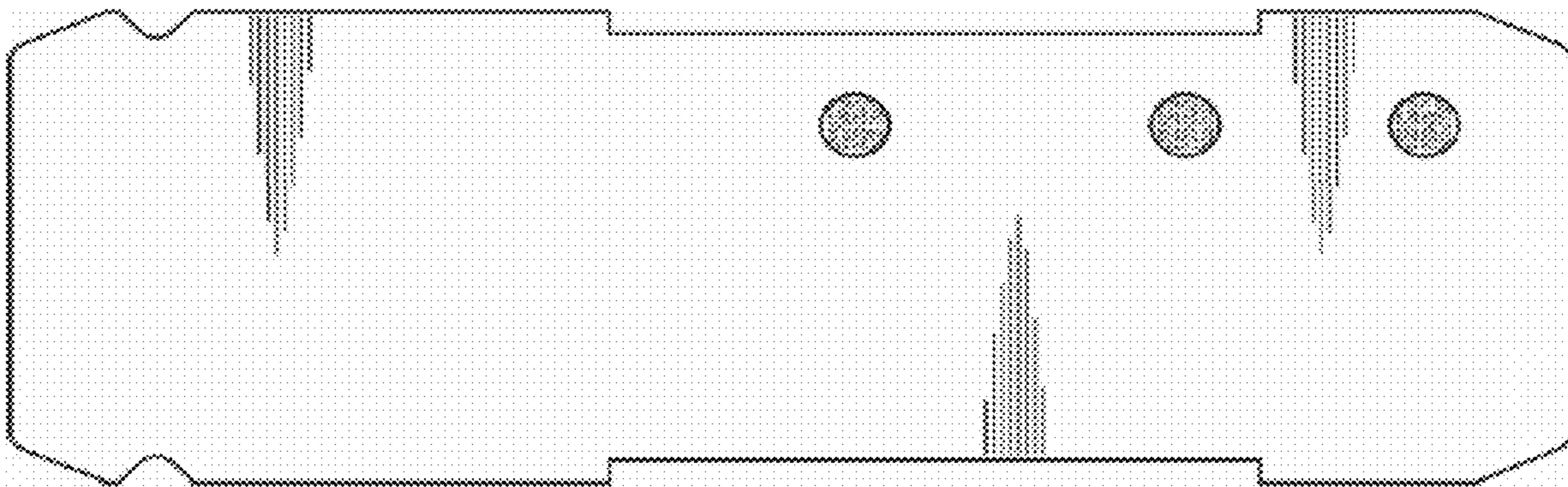


Fig. 3

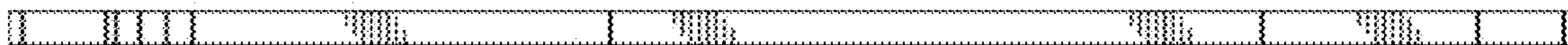


Fig. 4

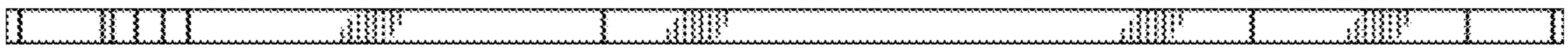


Fig. 5



Fig. 6



Fig. 7