



US00D911295S

(12) **United States Design Patent** (10) **Patent No.:** **US D911,295 S**
Chen (45) **Date of Patent:** **** Feb. 23, 2021**

(54) **LIGHT BAND CONTROLLER**

(71) Applicant: **Huarong Chen**, Fu'an (CN)

(72) Inventor: **Huarong Chen**, Fu'an (CN)

(**) Term: **15 Years**

(21) Appl. No.: **29/754,830**

(22) Filed: **Oct. 14, 2020**

(51) **LOC (13) Cl.** **14-03**

(52) **U.S. Cl.**
USPC **D13/168**; D14/218

(58) **Field of Classification Search**
USPC D13/133, 137.3, 138.1, 153, 162, 168;
D14/155, 188, 205, 206, 217, 218, 223,
D14/225, 240, 433; D21/333; D3/207,
D3/208

CPC H03J 1/0025; H03J 9/00; H03J 9/02; H03J
9/04; H03J 9/06; H01H 9/0228; H01H
9/0235; H04B 1/202; G05B 11/01; G08C
17/00; G08C 17/02; G08C 19/28; G08C
23/04; H04M 1/6058; H04R 1/1041;
H05B 45/00; H05B 47/10; H05B 47/19;
F21S 4/00; F21S 4/10; F21S 4/28

See application file for complete search history.

(56) **References Cited**

U.S. PATENT DOCUMENTS

D367,261 S *	2/1996	Hansen	D13/138.1
D373,998 S *	9/1996	Tutt	D13/168
D391,922 S *	3/1998	Aromin	D13/160
D497,881 S *	11/2004	Rishar	D13/168
D626,921 S *	11/2010	Pang	D13/158
D630,593 S *	1/2011	Clymer	D13/160
D654,879 S *	2/2012	Li	D13/170
D736,704 S *	8/2015	Liu	D13/108
9,332,615 B1 *	5/2016	Peng	H01H 9/0228
D761,262 S *	7/2016	Solomon	D14/433
D796,484 S *	9/2017	Chen	D14/218
D818,971 S *	5/2018	Peng	D13/171
D822,643 S *	7/2018	Chen	D14/218
D840,954 S *	2/2019	Wu	D13/168

D867,367 S *	11/2019	Wang	D14/433
D875,692 S *	2/2020	Shi	D13/168
D886,077 S *	6/2020	Chen	D14/205
D886,824 S *	6/2020	Zhan	D14/433
D887,374 S *	6/2020	Gong	D13/168
D891,377 S *	7/2020	Ahrari	D13/168
D900,789 S *	11/2020	Chen	D14/218
2003/0107328 A1 *	6/2003	Ling	H05B 41/00 315/276
2007/0279920 A1 *	12/2007	Lin	F21S 4/10 362/362
2010/0008077 A1 *	1/2010	Ponamar	F21S 4/10 362/183
2011/0050106 A1 *	3/2011	Yang	H05B 39/04 315/133
2014/0043140 A1 *	2/2014	Nakabayashi	G08C 17/02 340/5.72

(Continued)

OTHER PUBLICATIONS

https://www.bhphotovideo.com/c/product/1395812-REG/auray_led6_usb_6_led_usb_light.html/?ap=y&ap=y&smp=y&smp=y&lsft=Bl%3A514&gclid=CjwKCAjww5r8BRB6EiwArcckC-wSr-fCqPxAbbXk-TBCgvzAKPaG9I3028r3IsKZP0DSA2H-1RSIUhoC9HsQAvD_BwE

Primary Examiner — Selina Sikder

(74) *Attorney, Agent, or Firm* — Justin Lampel

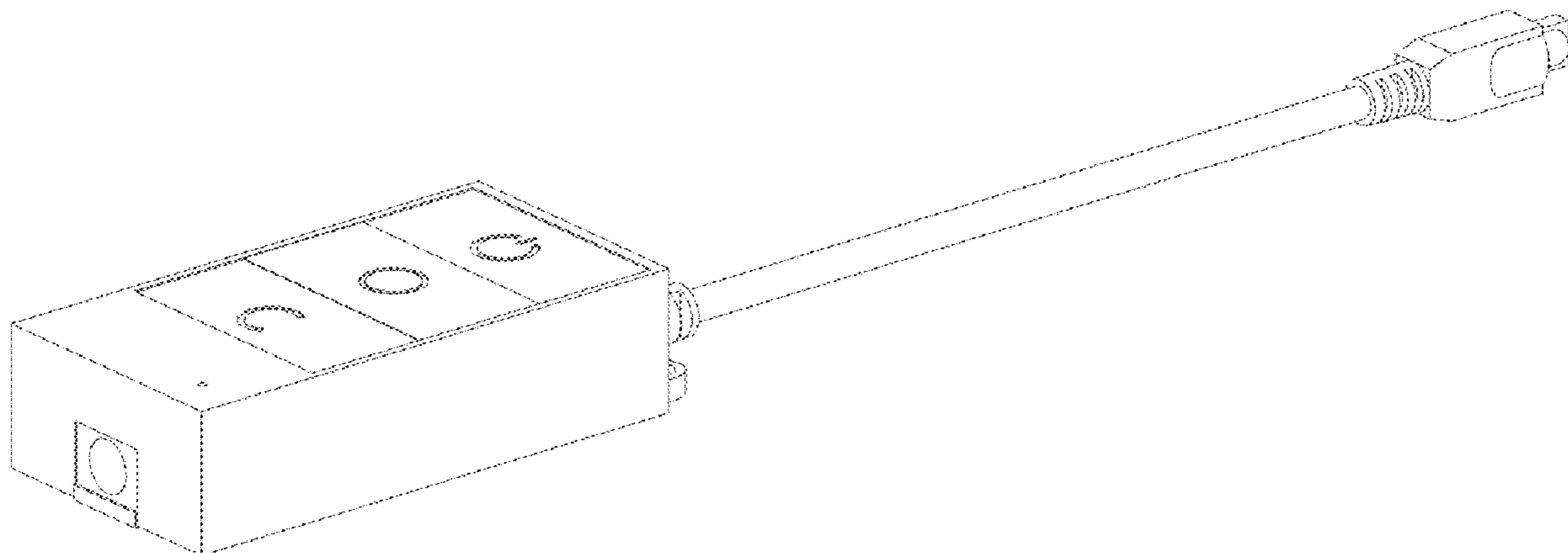
(57) **CLAIM**

The ornamental design for a light band controller, as shown and described.

DESCRIPTION

FIG. 1 is a perspective view of a light band controller showing the claimed design;
FIG. 2 is a top plan view thereof;
FIG. 3 is a right side elevation view thereof;
FIG. 4 is a front elevation view thereof;
FIG. 5 is a right side view thereof;
FIG. 6 is a rear elevation view thereof; and,
FIG. 7 is a left side elevation view thereof.

1 Claim, 7 Drawing Sheets



(56)

References Cited

U.S. PATENT DOCUMENTS

2014/0268736 A1* 9/2014 Ratkus F21V 17/107
362/235
2016/0076717 A1* 3/2016 Magner F21S 4/10
362/190
2016/0309251 A1* 10/2016 Poulsen H04R 5/04
2018/0149345 A1* 5/2018 Zhang F21V 23/003
2019/0069649 A1* 3/2019 Qin F21S 9/02

* cited by examiner

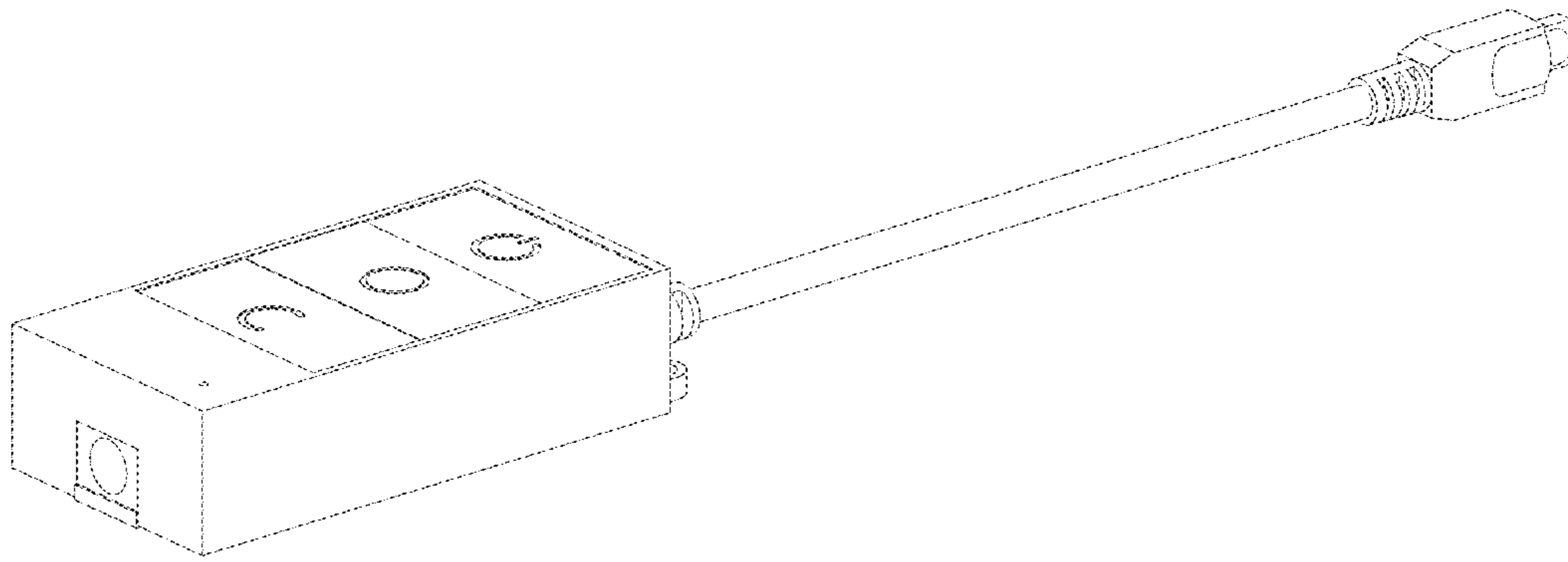


FIG.1

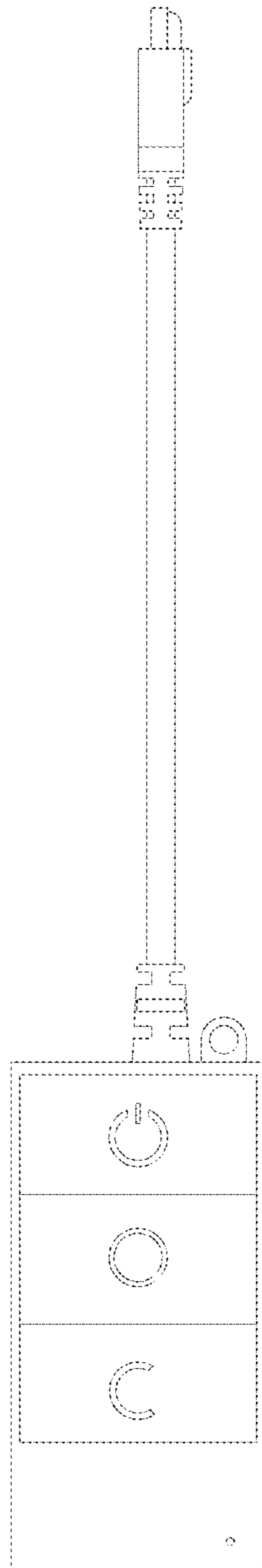


FIG. 2

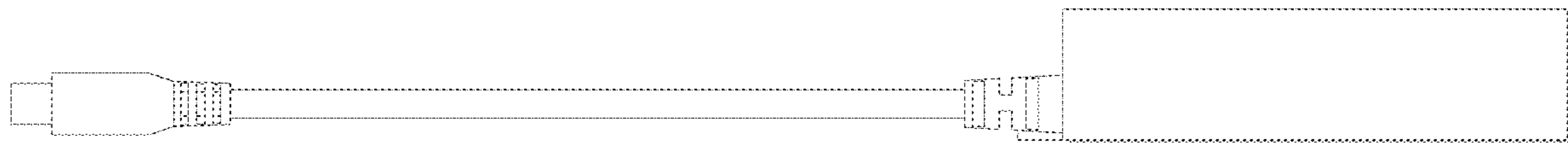


FIG. 3

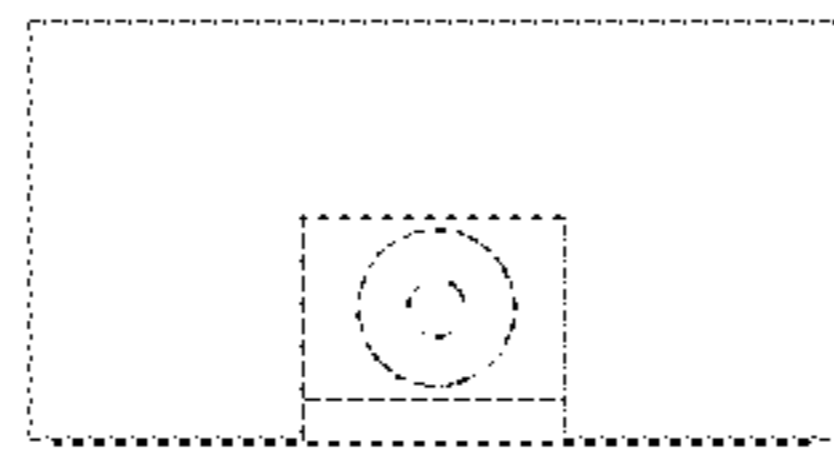


FIG. 4

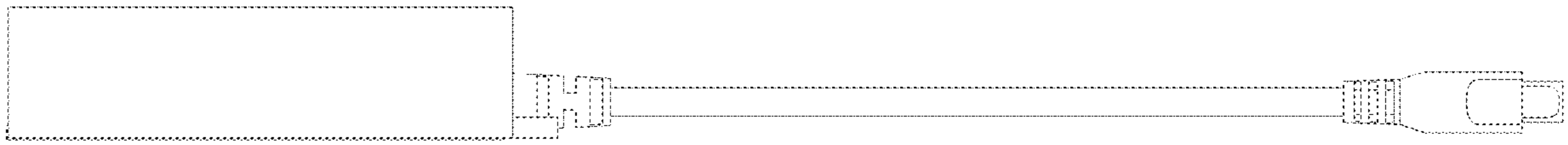


FIG. 5

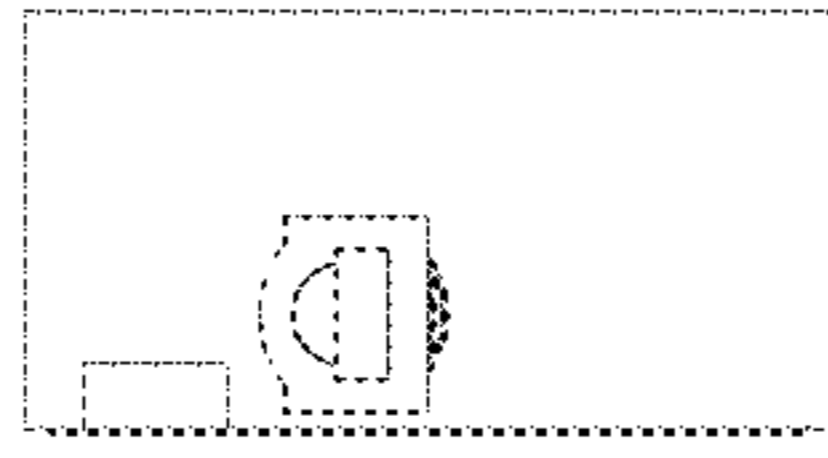


FIG. 6

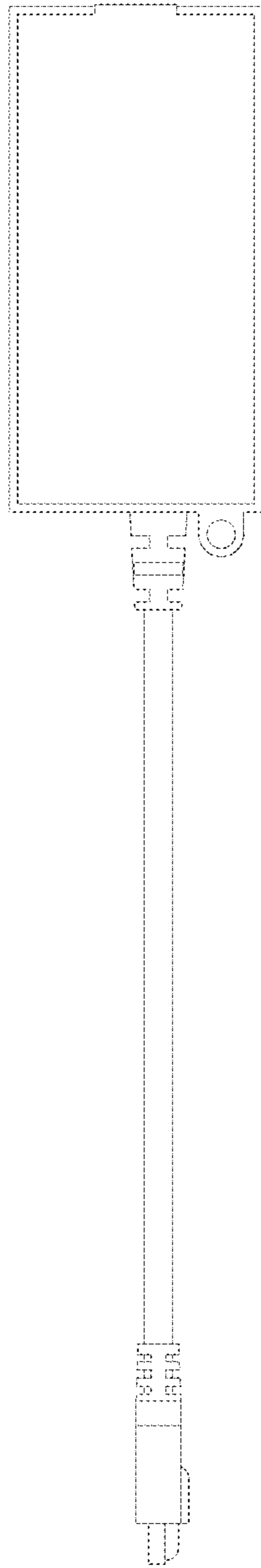


FIG. 7