



US00D911293S

(12) **United States Design Patent** (10) **Patent No.:** **US D911,293 S**
Rego (45) **Date of Patent:** **** Feb. 23, 2021**

(54) **ACTIVE COVER PLATE**

(71) Applicant: **Daniel Rego**, Dallas, TX (US)

(72) Inventor: **Daniel Rego**, Dallas, TX (US)

(**) Term: **15 Years**

(21) Appl. No.: **29/682,393**

(22) Filed: **Mar. 5, 2019**

(51) **LOC (13) Cl.** **13-03**

(52) **U.S. Cl.**
USPC **D13/156; D8/353**

(58) **Field of Classification Search**
USPC D13/107, 108, 110, 133, 137.1, 137.3,
D13/139.3, 139.4, 139.6, 139.8, 146, 154,
D13/156, 158, 160, 173, 177, 178, 184,
D13/199; D14/432, 433; D8/350, 353
CPC H01R 13/447; H01R 13/46; H02G 3/081
See application file for complete search history.

(56) **References Cited**

U.S. PATENT DOCUMENTS

5,217,190	A *	6/1993	Reed	H01R 13/745
					200/296
D379,622	S *	6/1997	Lynn	D13/154
5,876,241	A *	3/1999	Frantz	H01M 2/1044
					429/100
6,087,588	A *	7/2000	Soules	H02G 3/14
D485,807	S *	1/2004	Kao	D13/120
D561,708	S *	2/2008	Anzai	D13/177
D568,252	S *	5/2008	Gorman	D13/146
8,764,479	B2 *	7/2014	Chang	H01R 9/22
					439/500
8,912,442	B2 *	12/2014	Smith	H02G 3/14
D765,610	S *	9/2016	Hamlin	D13/174
D861,457	S *	10/2019	Baldwin	D8/350
D862,454	S *	10/2019	Chun	D14/253
D883,771	S *	5/2020	Yuan	D8/353

OTHER PUBLICATIONS

“SnapPower GuideLight”. Found online Jun. 24, 2020 at amazon.com. Reference dated May 16, 2017. Retrieved from https://www.amazon.com/Pack-SnapPower-GuideLight-Electrical-Automatic/dp/B0719CXWW5/ref=sr_1_1. (Year: 2017).*

(Continued)

Primary Examiner — Catherine S Posthauer

Assistant Examiner — Amanda Christensen

(74) *Attorney, Agent, or Firm* — Terry J. Booth

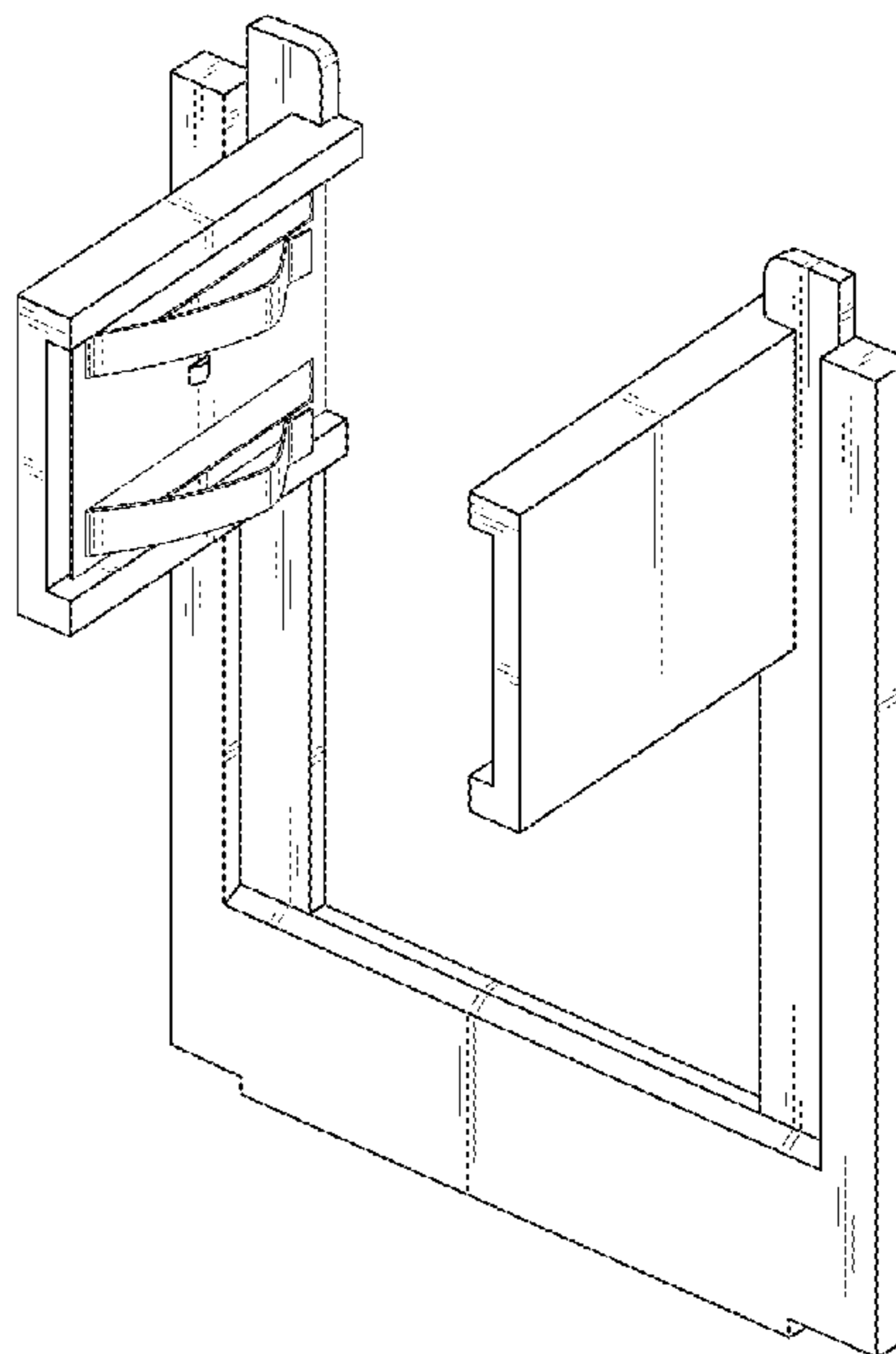
(57) **CLAIM**

I claim the ornamental design for an active cover plate, as shown and described.

DESCRIPTION

FIG. 1 is a right, front perspective view of an active cover plate, showing my new design;
FIG. 2 is a left, front perspective view thereof;
FIG. 3 is a front elevation view thereof;
FIG. 4 is a right side elevation view thereof;
FIG. 5 is a rear elevation view thereof;
FIG. 6 is a left side elevation view thereof;
FIG. 7 is a top plan view thereof;
FIG. 8 is a bottom plan view thereof;
FIG. 9 is a right, front perspective view of the active cover plate of FIG. 1, shown in a first condition for use and exploded for the clarity of disclosure; and,
FIG. 10 is a right, front perspective view of the active cover plate of FIG. 1, shown in a second condition for use.
In FIG. 5, the equal-length broken lines depict portions of the active cover plate that form no part of the claimed design. The equal-length broken lines showing a wall plate in FIGS. 9 and 10 depict environmental matter that forms no part of the claimed design.

1 Claim, 9 Drawing Sheets



(56)

References Cited

OTHER PUBLICATIONS

“Arlington LV1 Electrical Bracket”. Found online Jun. 24, 2020 at amazon.com. Reference dated Sep. 9, 2006. Retrieved from https://www.amazon.com/Arlington-LV1-1CS-Voltage-Mounting-Bracket/dp/B000UEAJWU/ref=pd_bxgy_img_3/144-7029584-2700807. (Year: 2006).*

“ENERLITES Light Switch”. Found online Jun. 24, 2020 at amazon.com. Reference dated Sep. 16, 2017. Retrieved from https://www.amazon.com/Enerlites-Decorator-Grounding-Residential-Commercial/dp/B00QXOTF9E/ref=sr_1_1. (Year: 2017).*

* cited by examiner

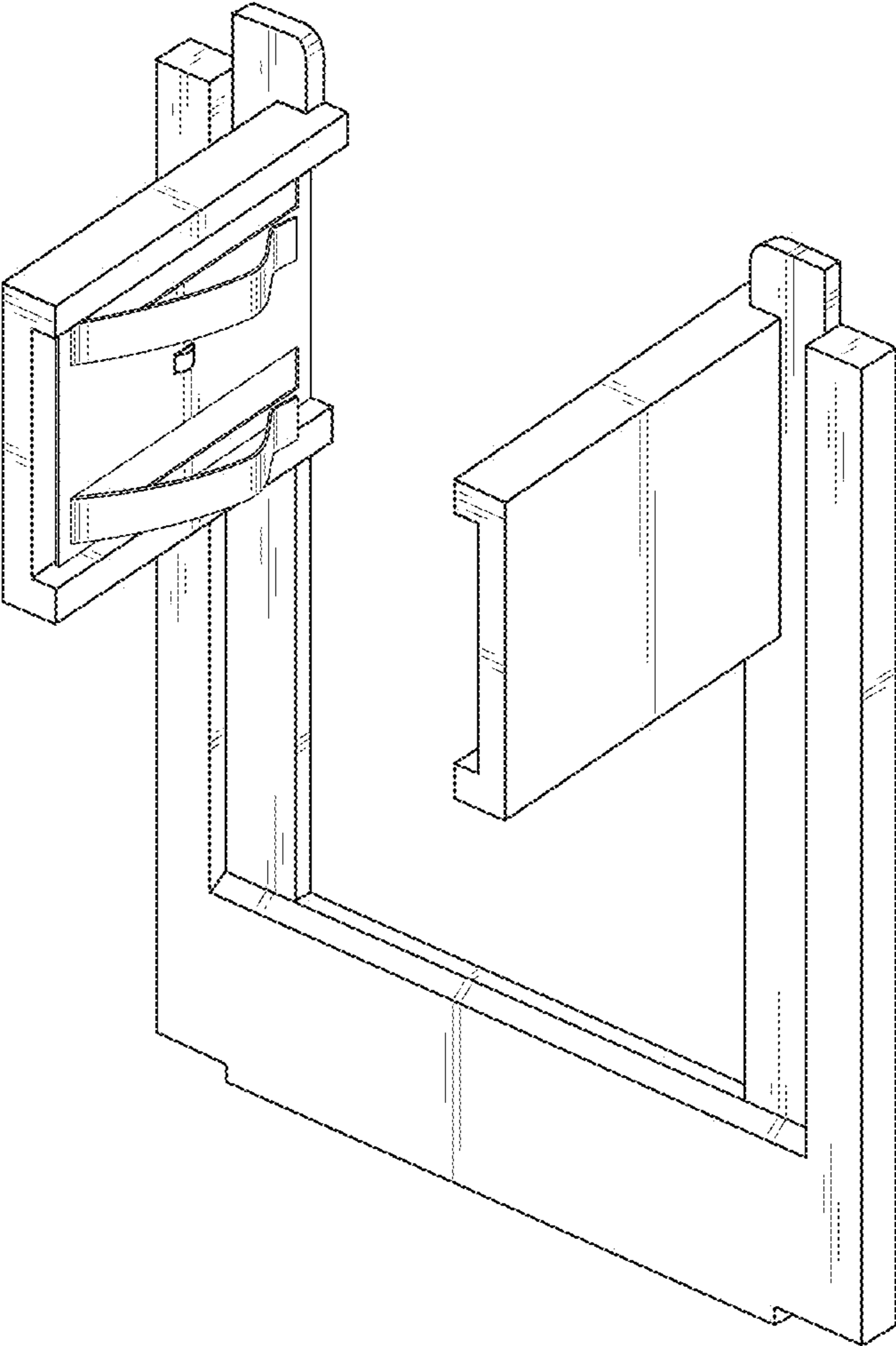


FIG. 1

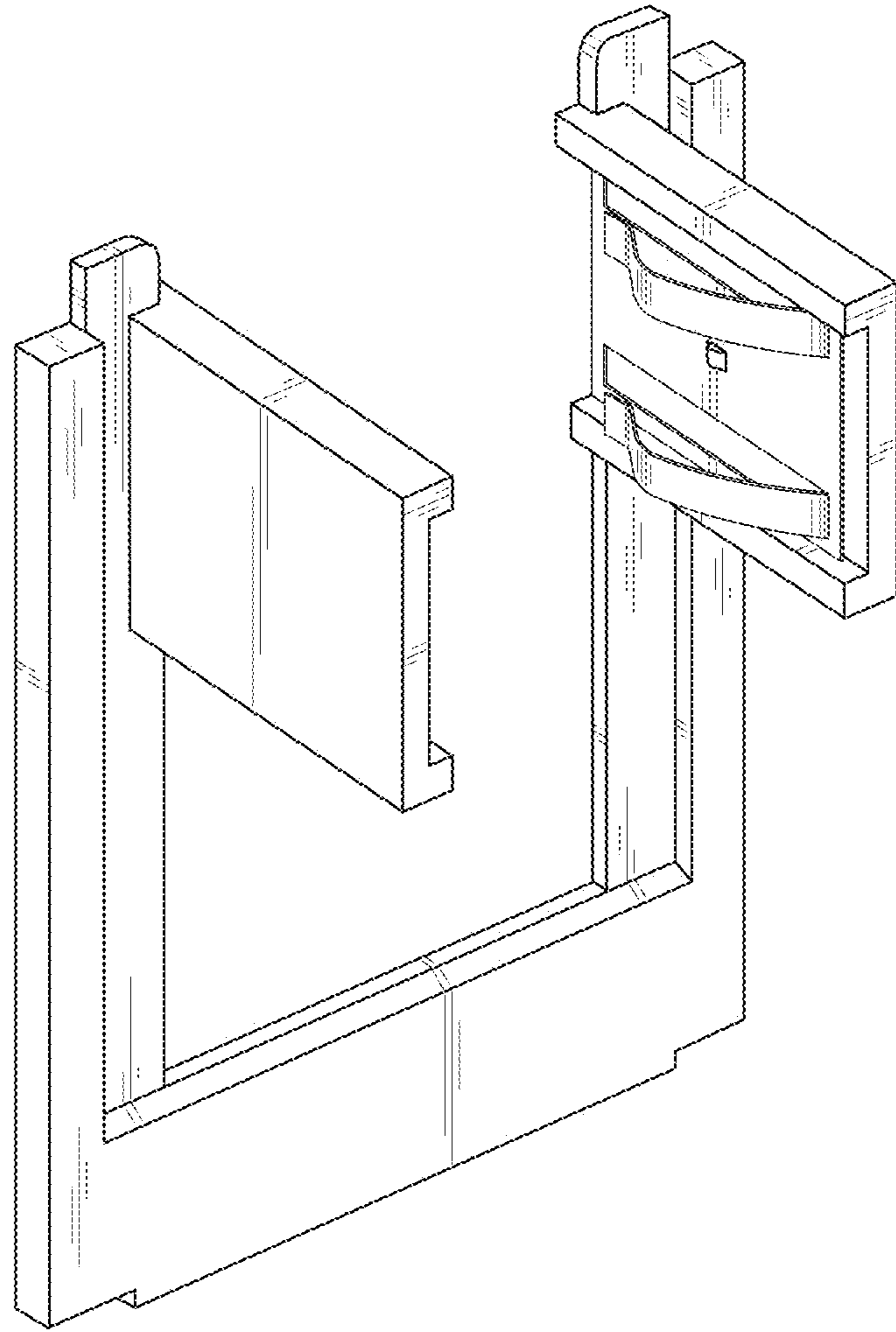


FIG. 2

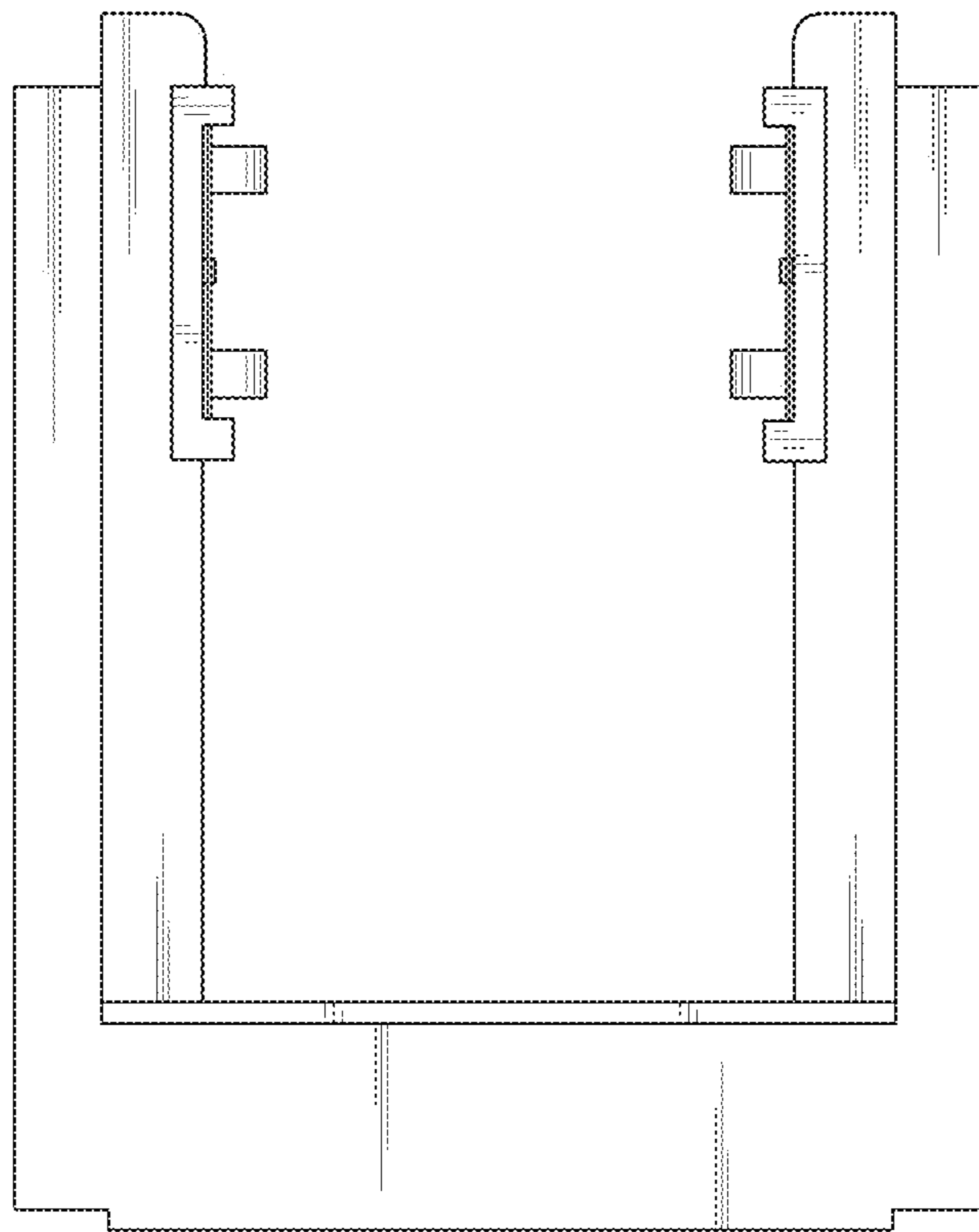


FIG. 3

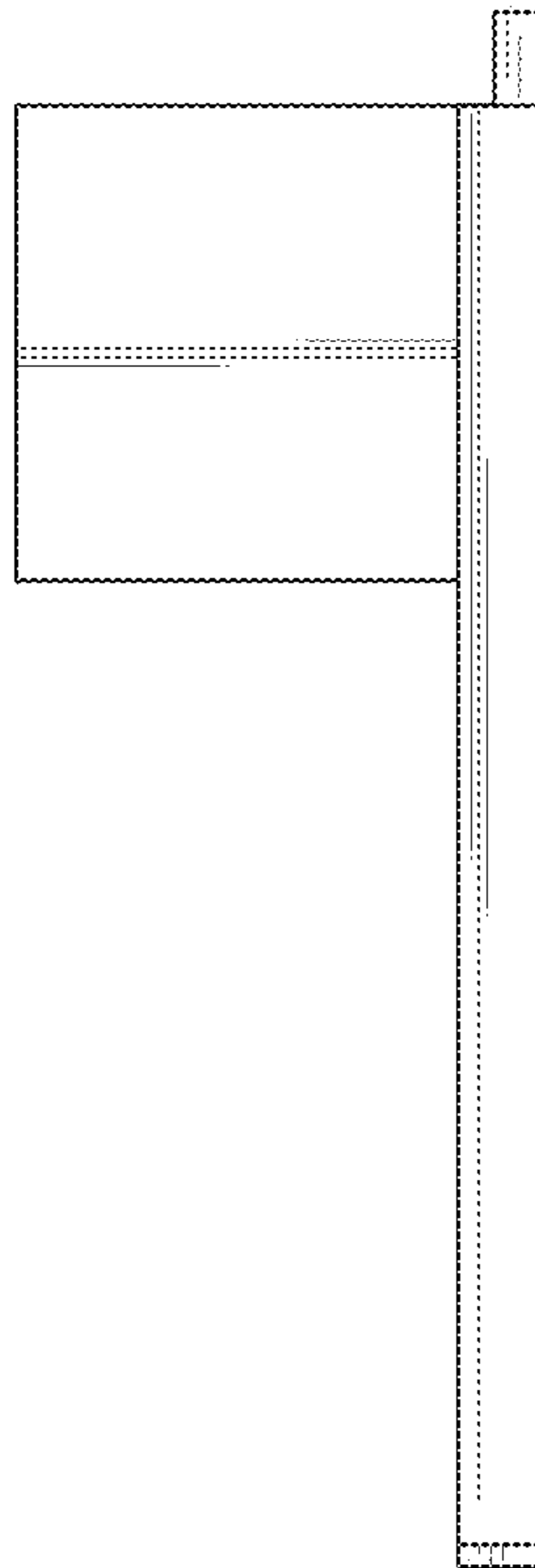


FIG. 4

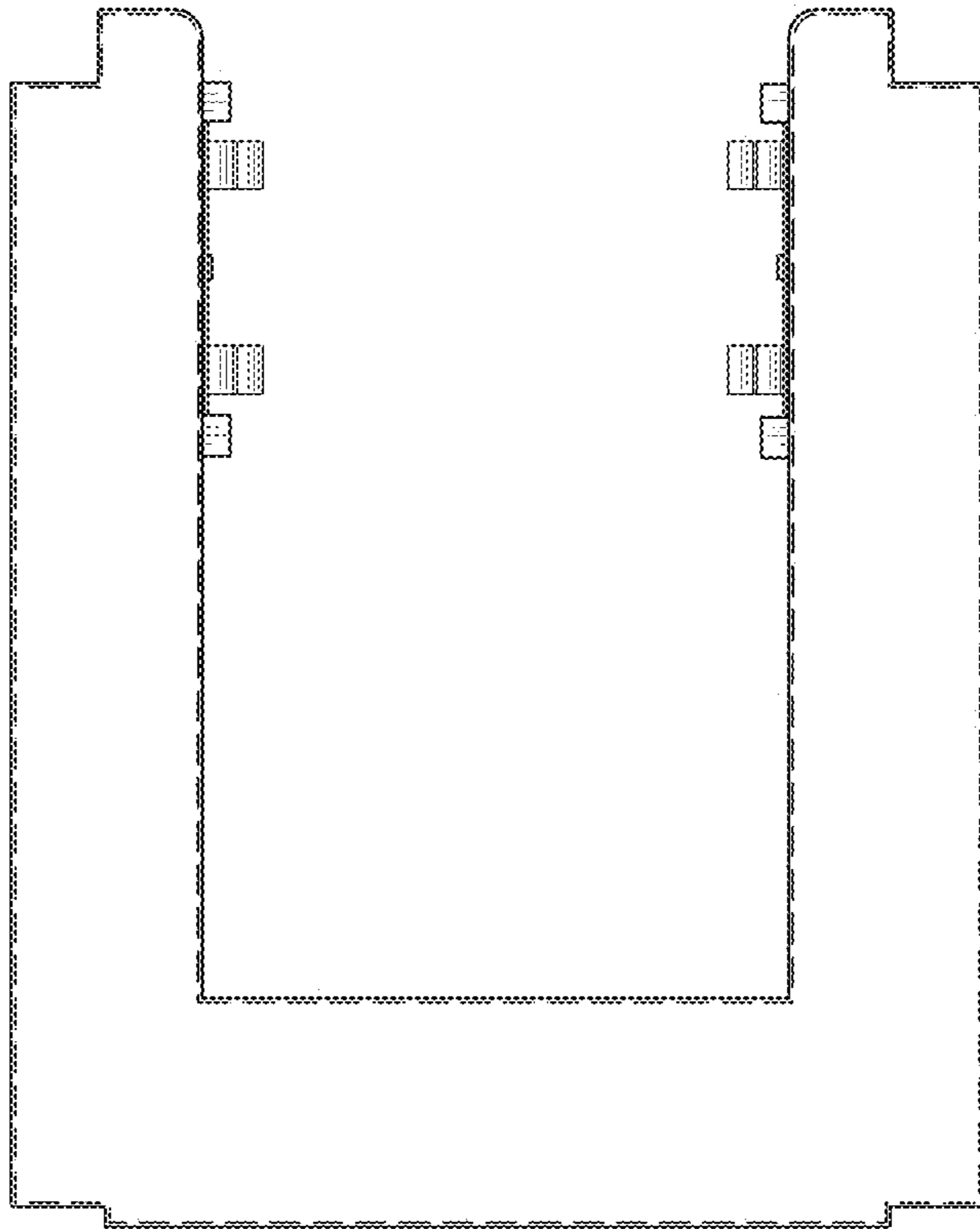


FIG. 5

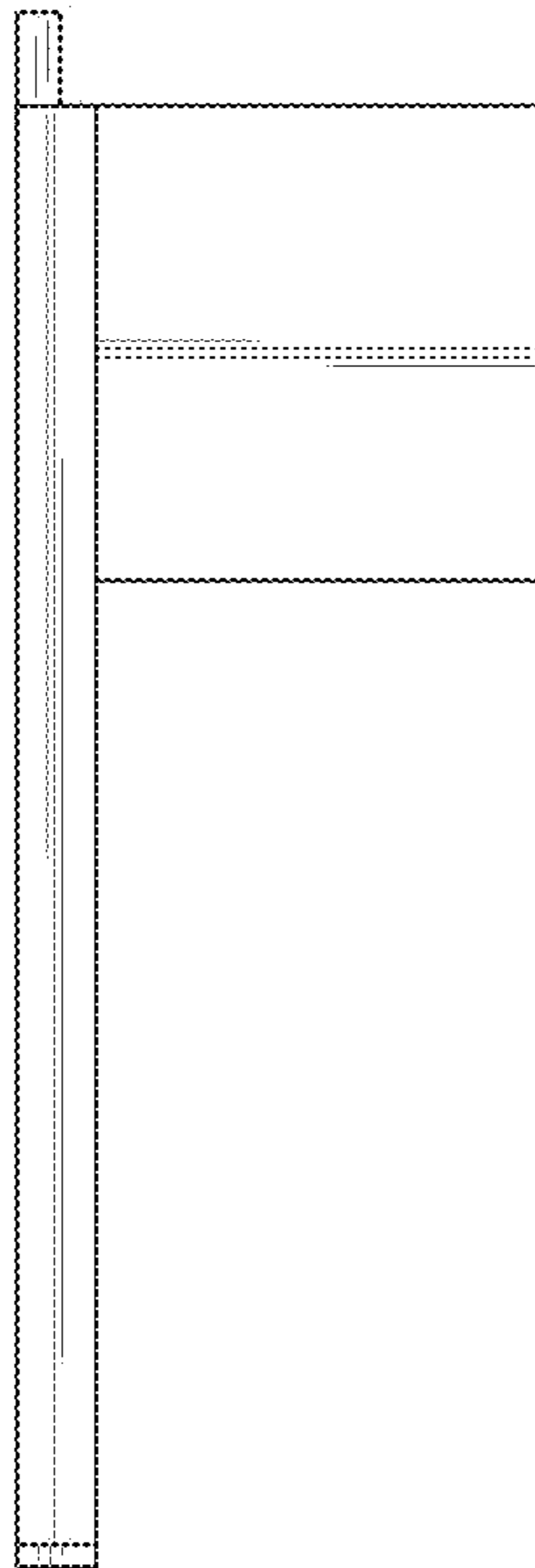


FIG. 6

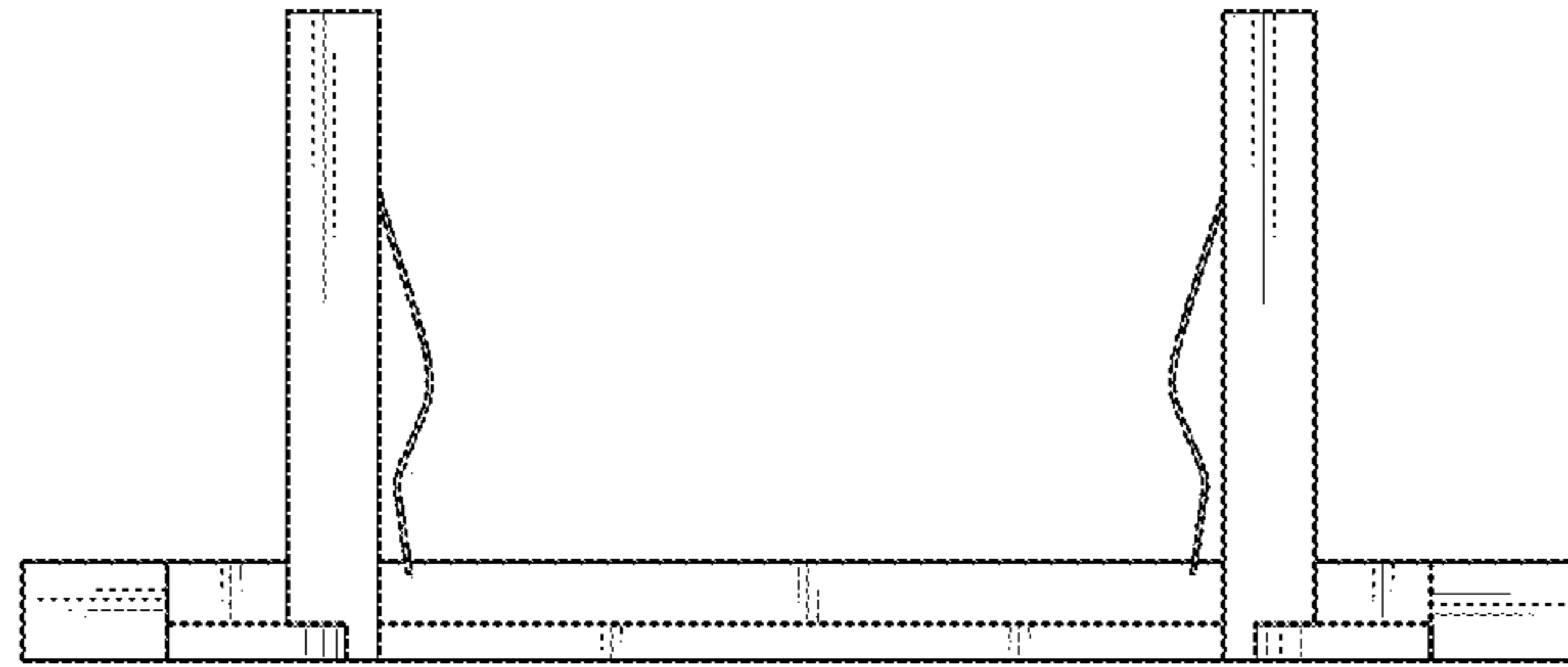


FIG. 7

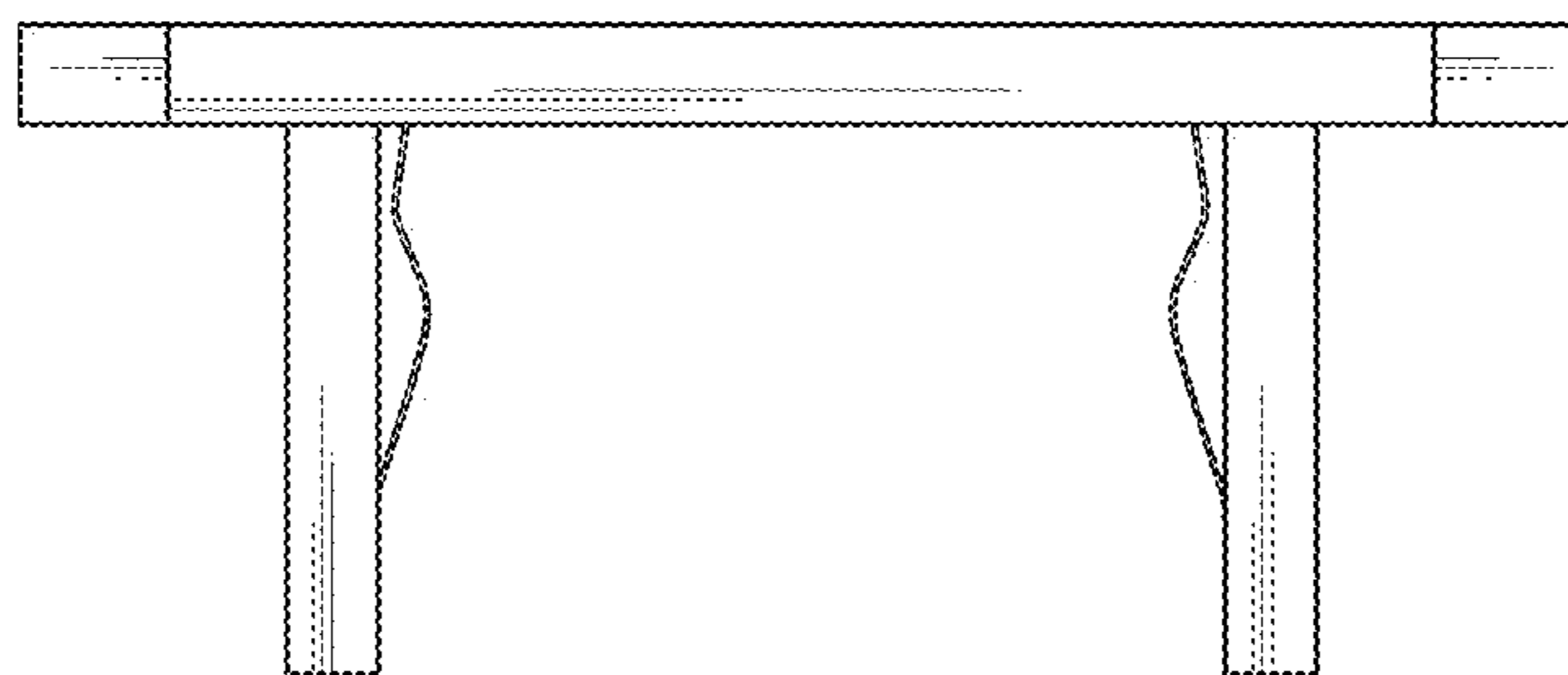


FIG. 8

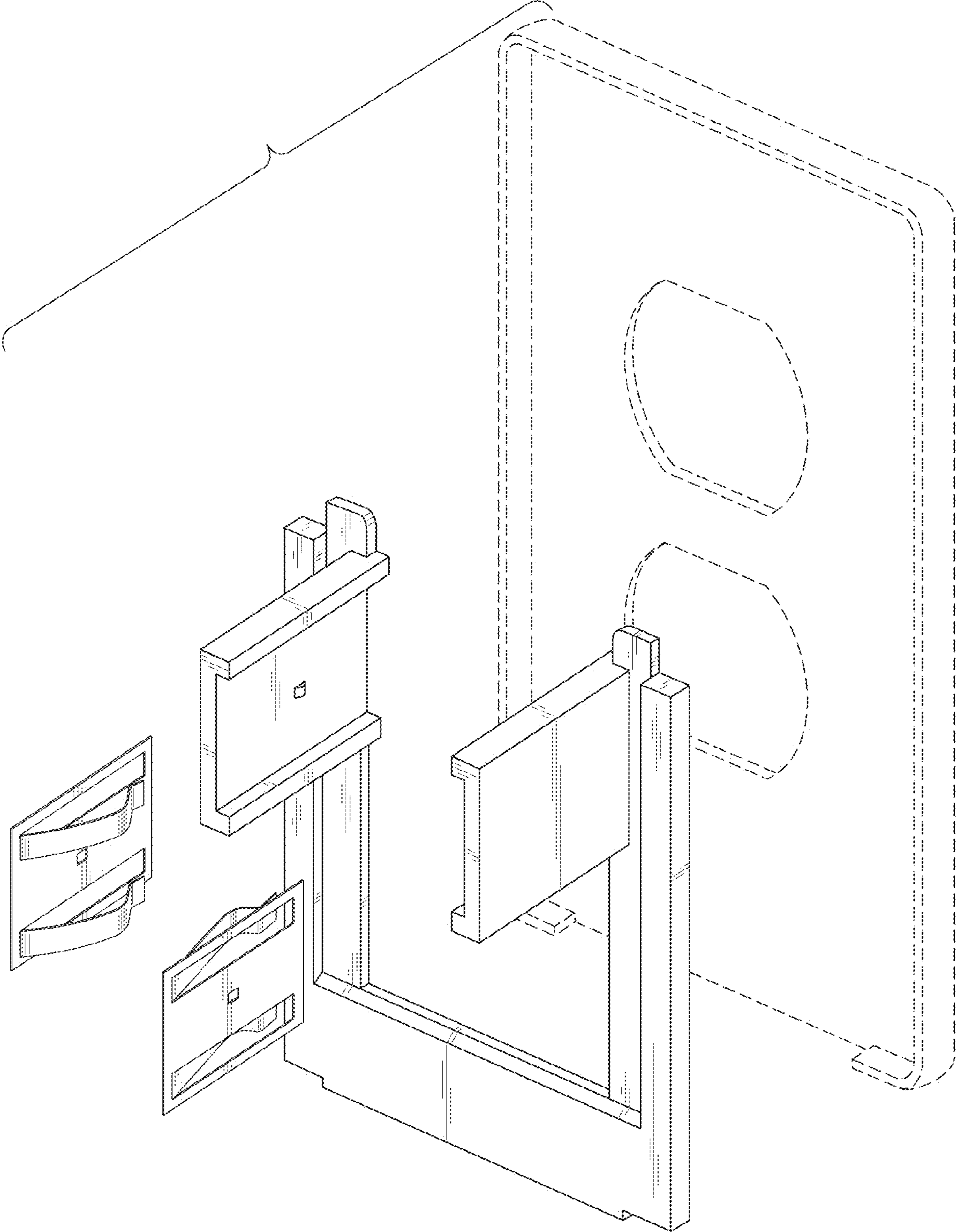


FIG. 9

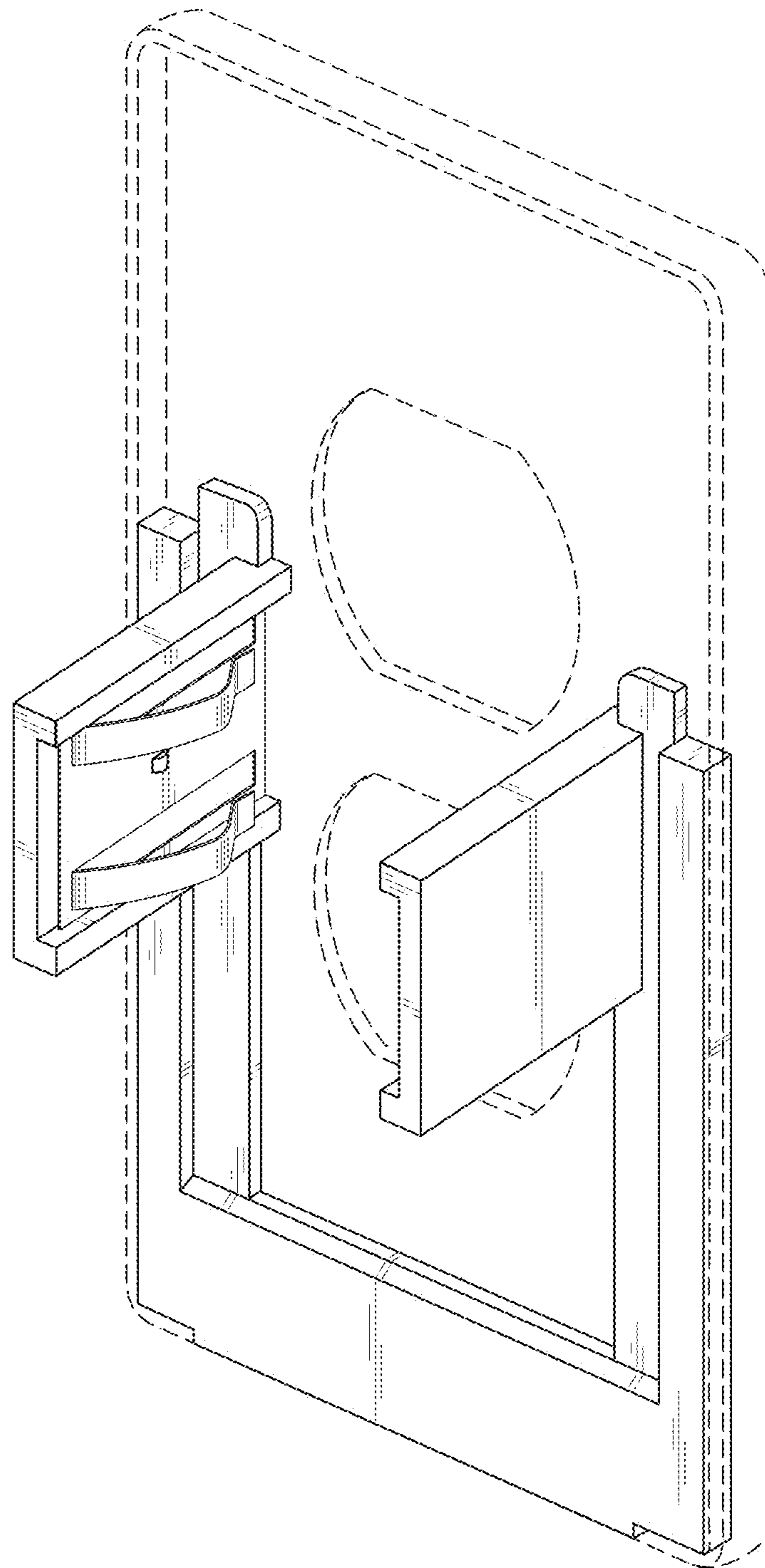


FIG. 10