



US00D911292S

(12) **United States Design Patent** (10) **Patent No.:** **US D911,292 S**
Nelson (45) **Date of Patent:** **** Feb. 23, 2021**

(54) **MOUNTED POWER STATION**

(71) Applicant: **Michael E. Nelson**, Jonesboro, AR (US)
(72) Inventor: **Michael E. Nelson**, Jonesboro, AR (US)
(**) Term: **15 Years**

(21) Appl. No.: **29/705,242**

(22) Filed: **Sep. 10, 2019**

(51) **LOC (13) Cl.** **13-03**

(52) **U.S. Cl.**
USPC **D13/154**; D13/148

(58) **Field of Classification Search**
USPC D13/103, 107, 108, 110, 112, 118, 120, D13/123, 133, 137.1, 145-147, 149-156, D13/173, 177, 184, 199, 148; D14/240, D14/242, 432-438, 435.1; D9/434; D8/323, 325, 326, 329, 349, 354, 389
CPC H02J 3/32; H02J 7/00; H02J 7/14; H01R 3/32; H01R 13/66; H02K 53/00; F24J 2/38
See application file for complete search history.

(56) **References Cited**

U.S. PATENT DOCUMENTS

D272,316 S *	1/1984	Braun	D9/434
D771,571 S *	11/2016	Miyamoto	D13/154
D825,486 S *	8/2018	Nelson	D13/154
D826,177 S *	8/2018	Nelson	D13/154
D841,597 S *	2/2019	Nelson	D13/154
D846,388 S *	4/2019	Arianpour	D9/443
D892,747 S *	8/2020	Suzuki	D13/147

OTHER PUBLICATIONS

Amazon. USB Multi Port Desktop Power Station QC3.0 Powered USB Hub Fast Charging 3 Port Desk Mounted Multi Charger (QuickCharge 3.0) Desktop Power Station—Compatible with All LG and Samsung Models (36W). Jun. 7, 2019. <https://www.amazon.com/Desktop-Station-Powered-Charging-QuickCharge/dp/B07SRHBVBW> (Year: 2019).*

* cited by examiner

Primary Examiner — Darcey E Gottschalk
(74) *Attorney, Agent, or Firm* — Schrantz Law Firm, PLLC; Stephen D. Schrantz

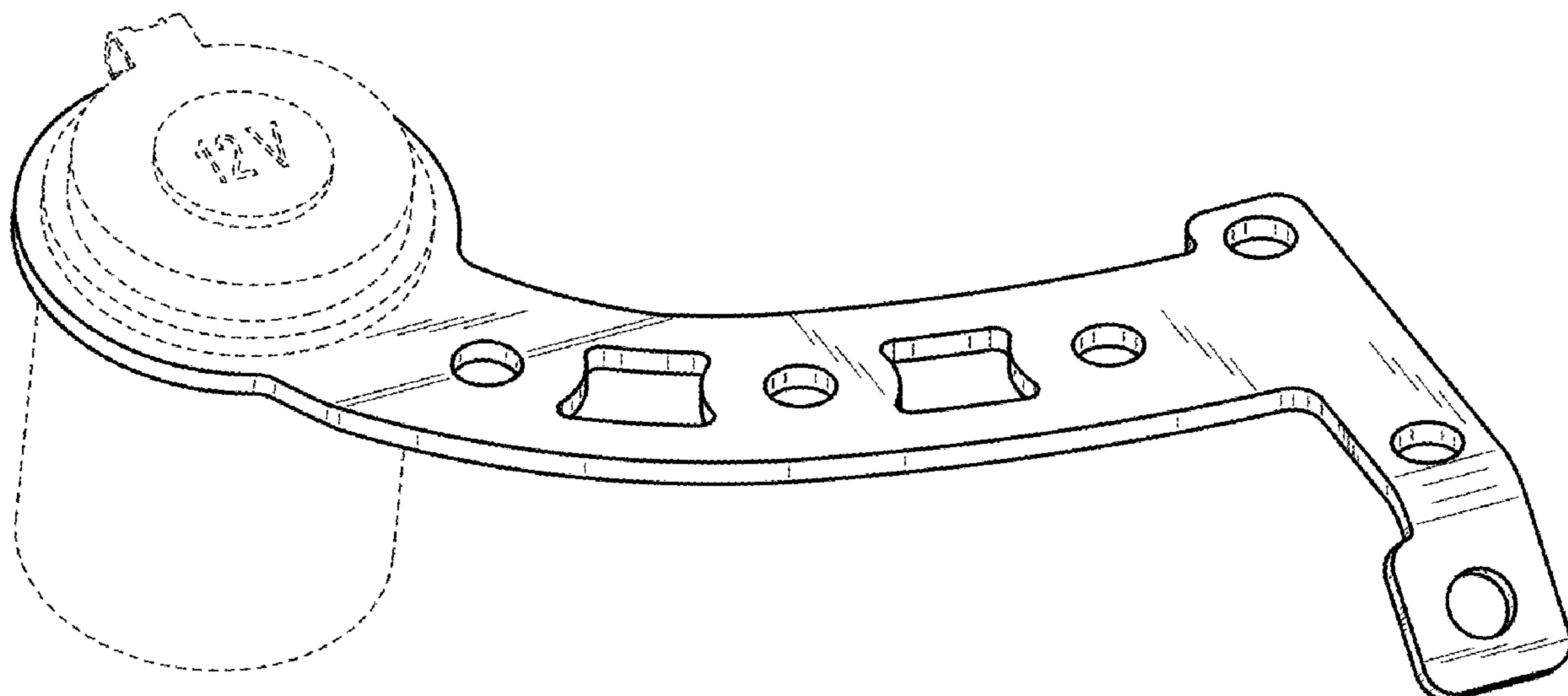
(57) **CLAIM**

The ornamental design for a mounted power station, as shown and described.

DESCRIPTION

FIG. 1 is a front perspective view showing my new design; FIG. 2 is a rear perspective view thereof; FIG. 3 is a front view thereof; FIG. 4 is a left side view thereof; FIG. 5 is a right side view thereof; FIG. 6 is a top view thereof; FIG. 7 is a bottom view thereof; FIG. 8 is a rear view thereof; FIG. 9 is an environmental view thereof; and, FIG. 10 is an environment view thereof.
In the drawings, the broken lines depict environment that forms no part of the claim.

1 Claim, 4 Drawing Sheets



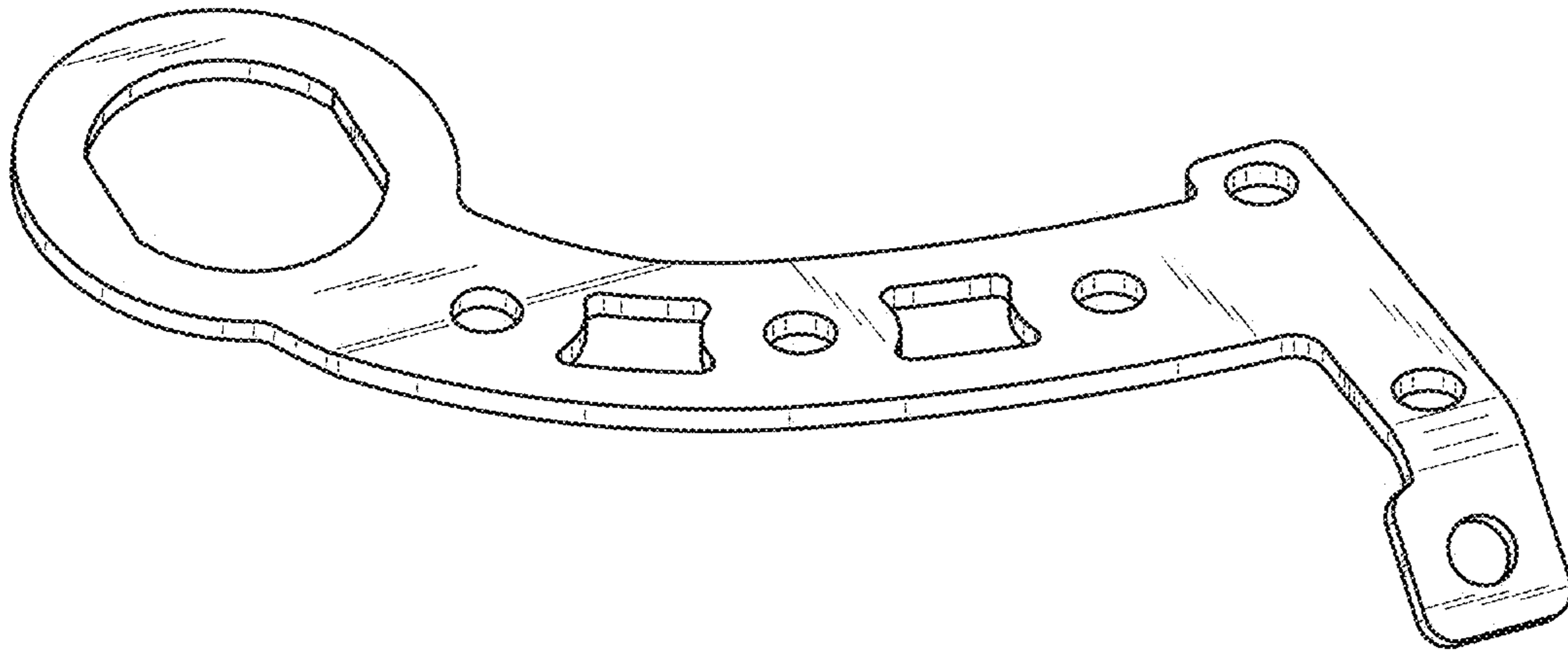


FIG. 1

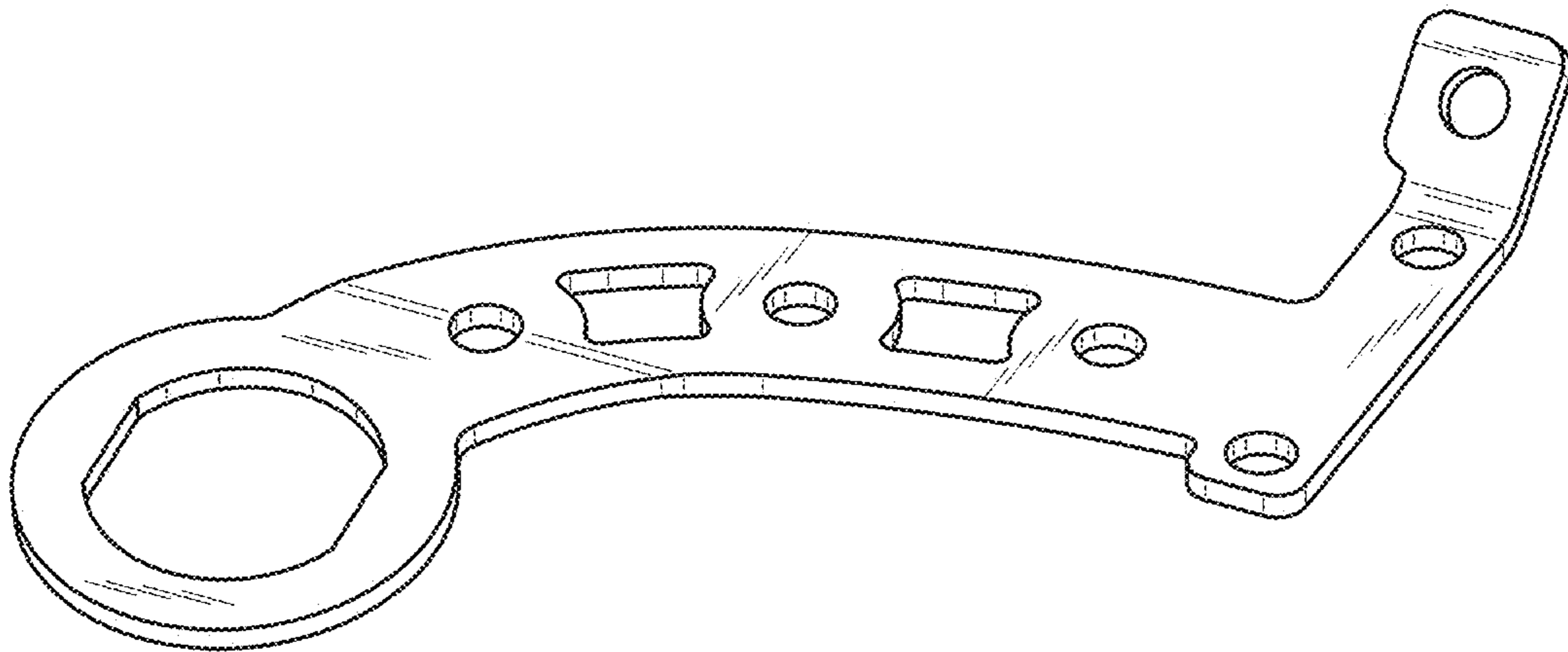


FIG. 2

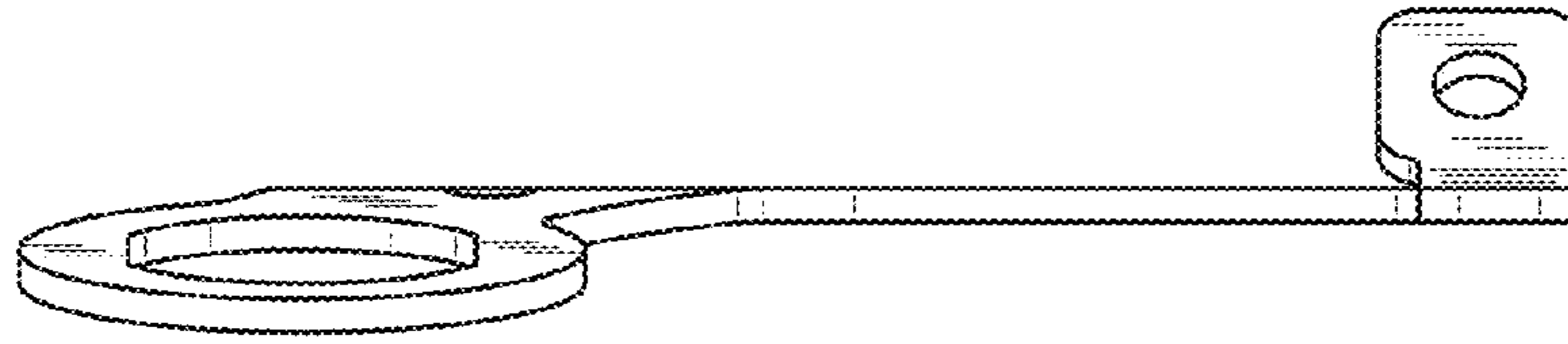


FIG. 6

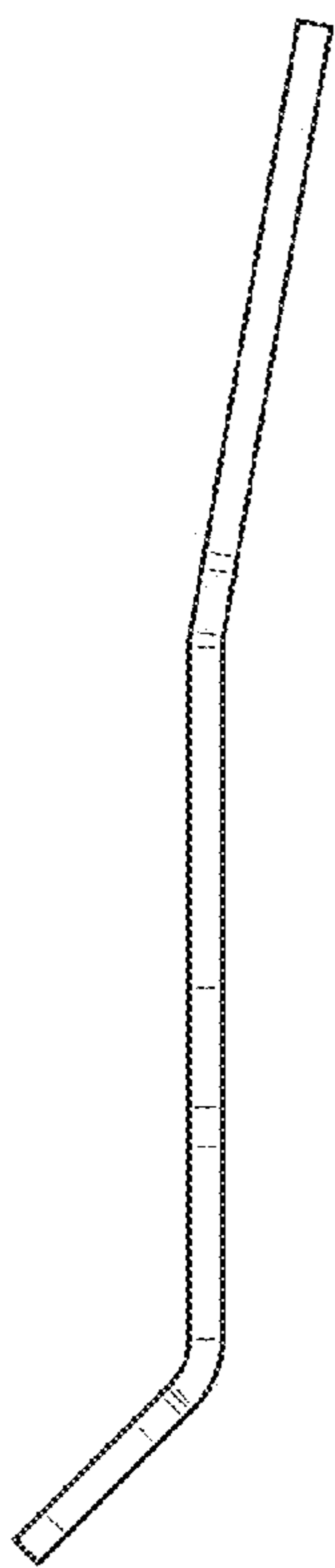


FIG. 4

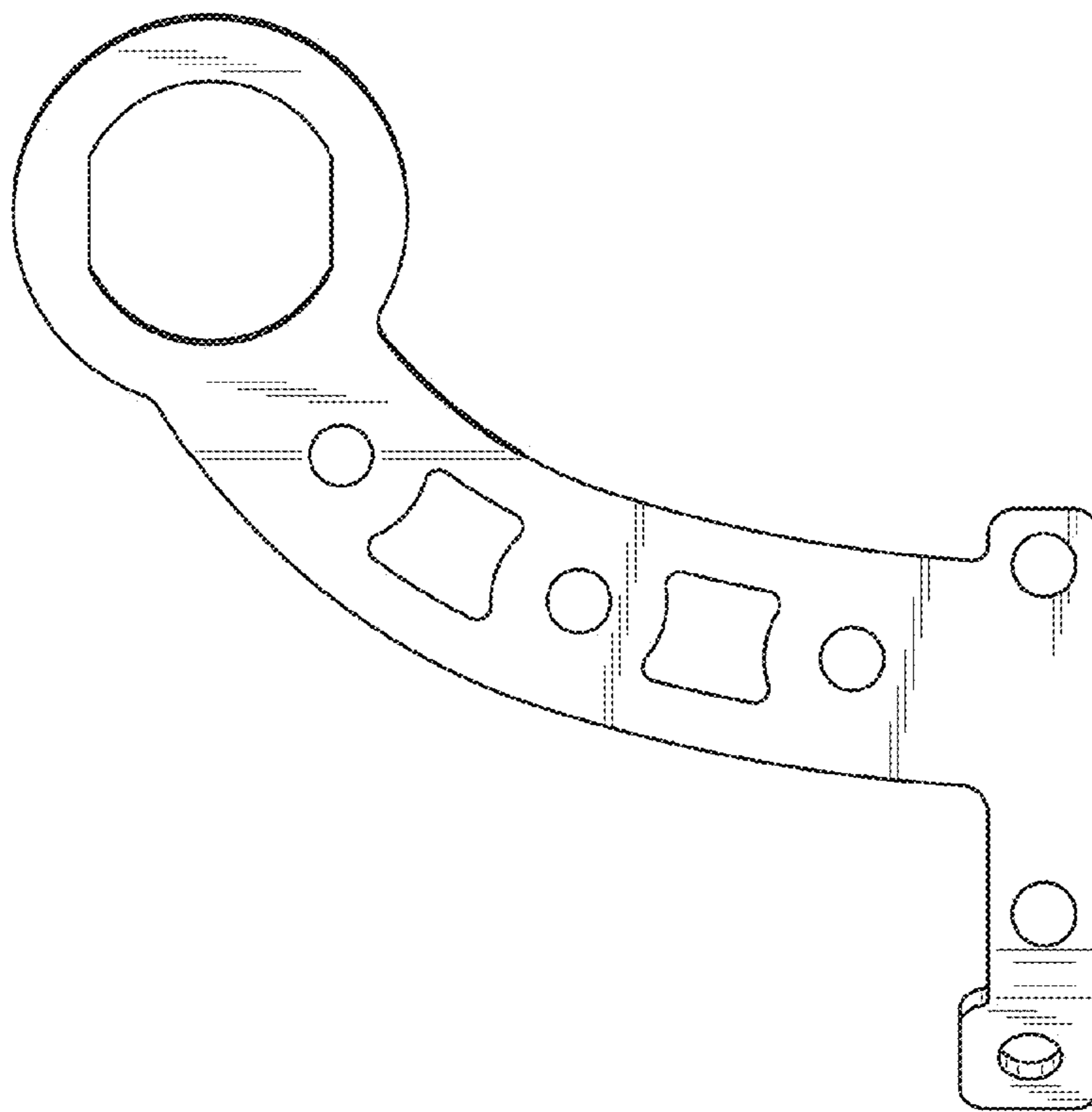


FIG. 3

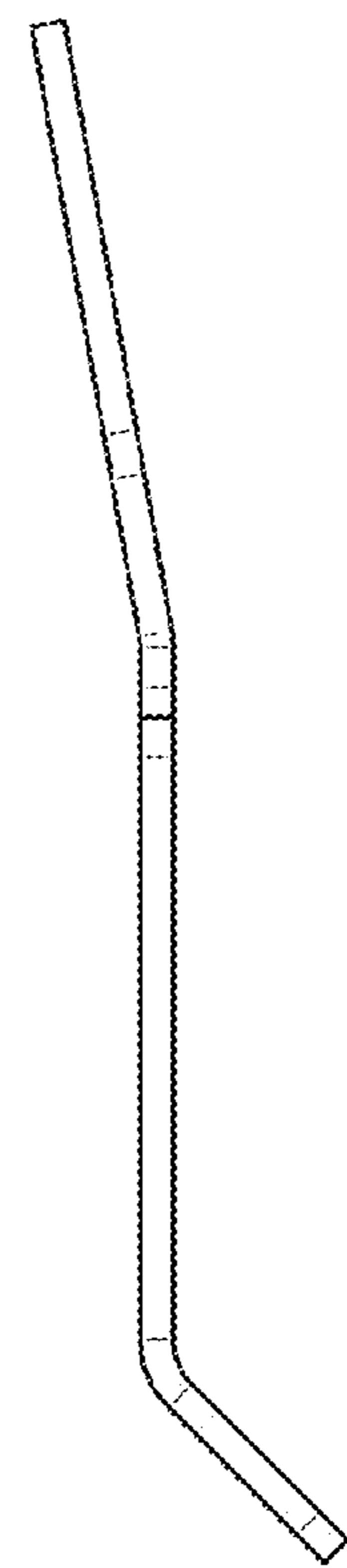


FIG. 5

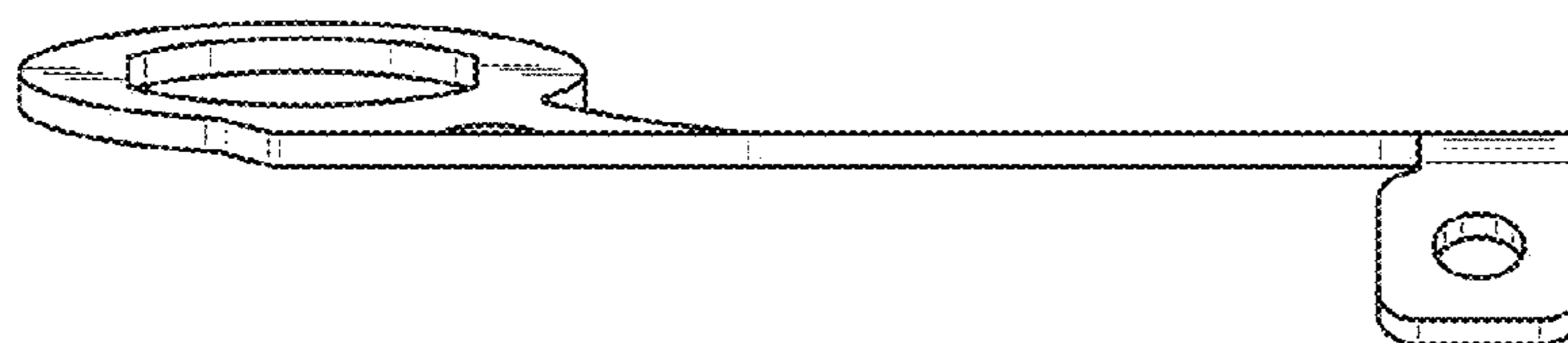


FIG. 7

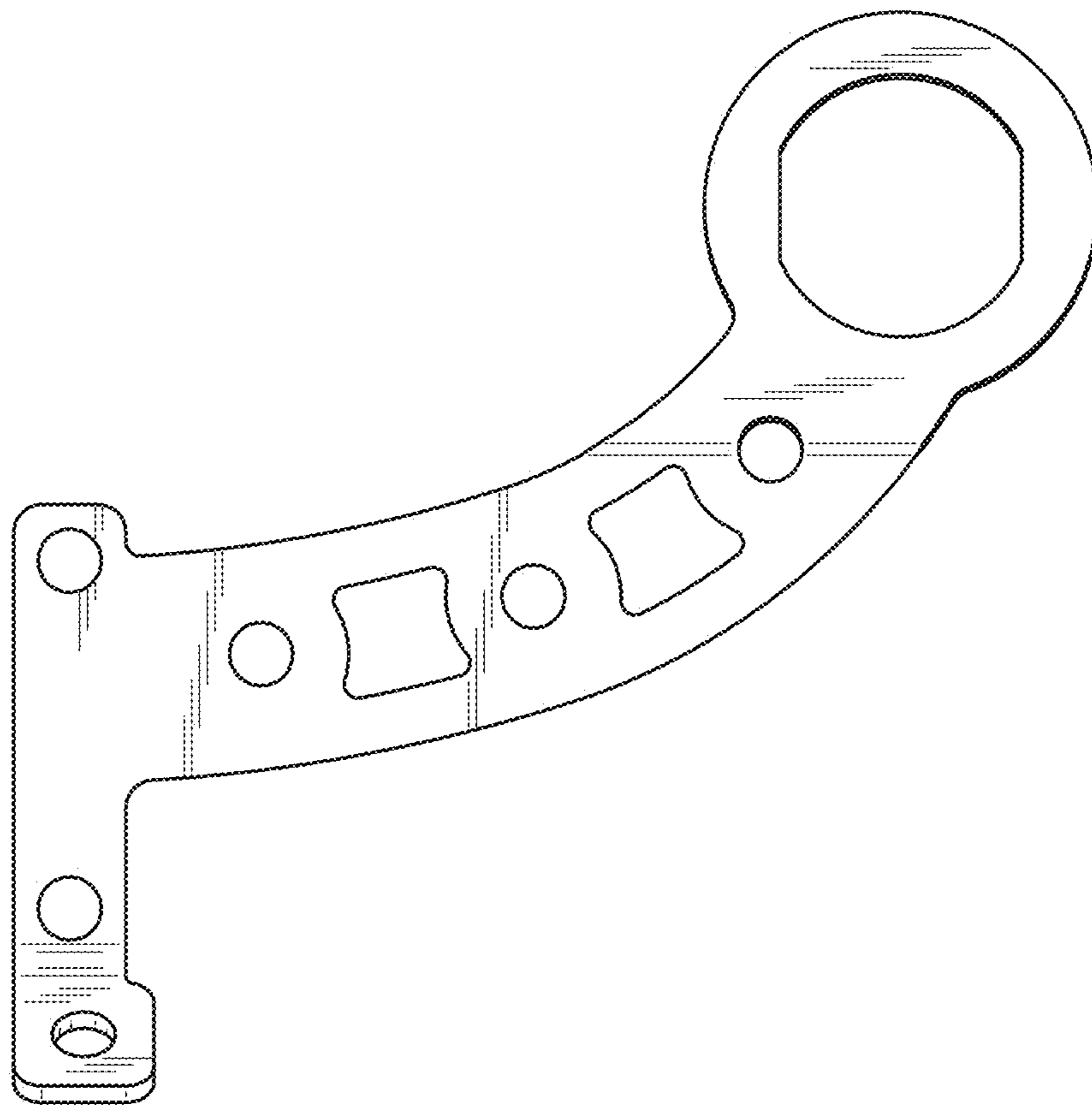


FIG. 8

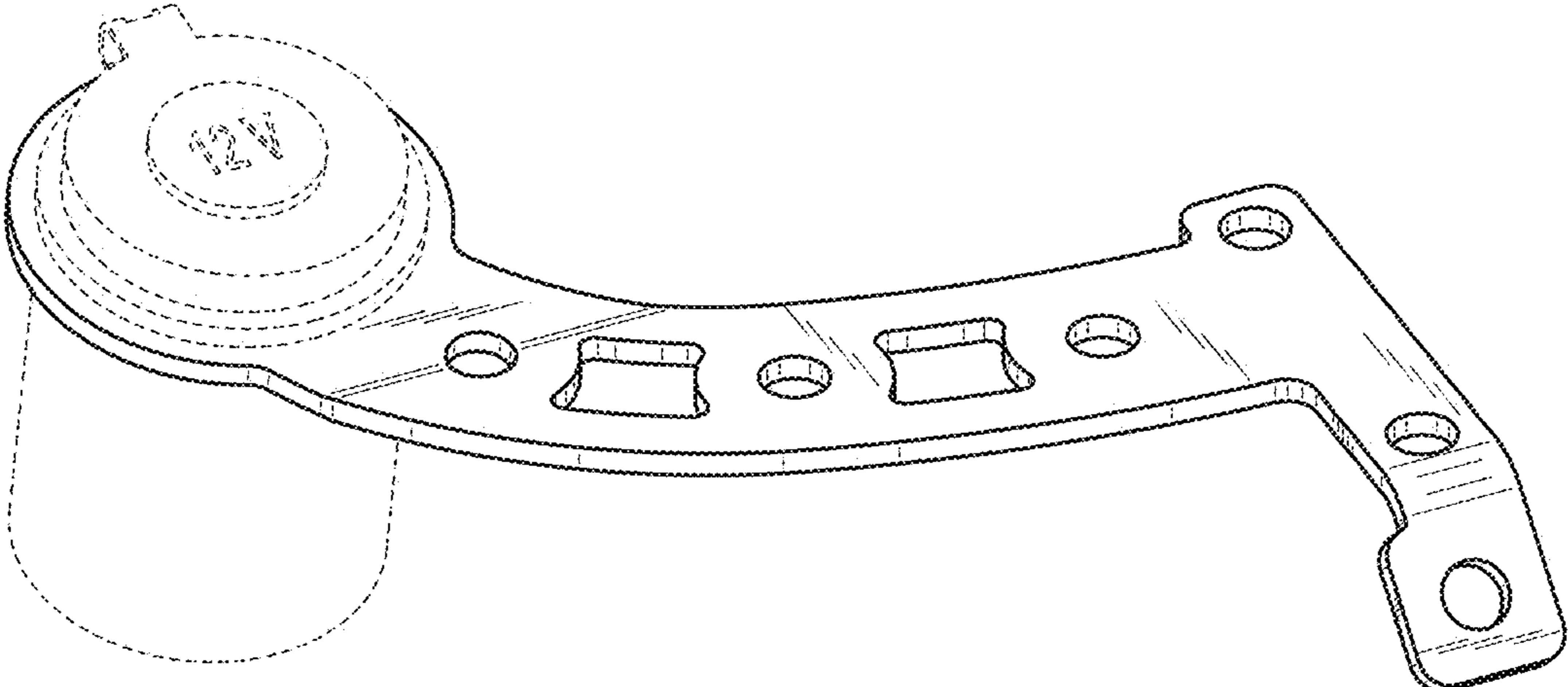


FIG. 9

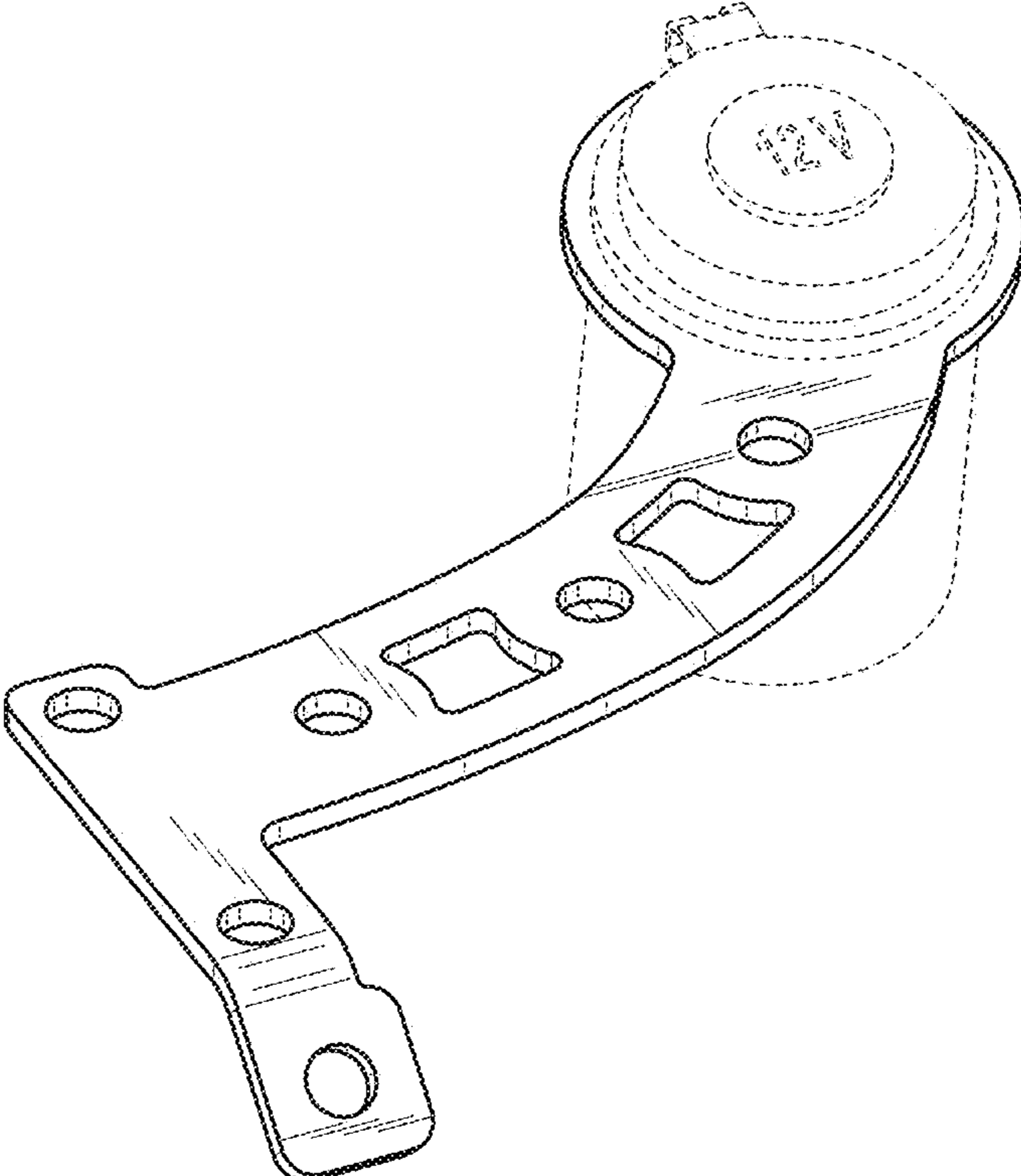


FIG. 10