

US00D911291S

(12) **United States Design Patent**
Yang

(10) **Patent No.:** **US D911,291 S**

(45) **Date of Patent:** **** Feb. 23, 2021**

(54) **CONNECTOR CONTACT**

(71) Applicant: **ALL BEST PRECISION TECHNOLOGY CO., LTD.**, Taoyuan (TW)

(72) Inventor: **Haven Yang**, Taoyuan (TW)

(73) Assignee: **ALL BEST PRECISION TECHNOLOGY CO., LTD.**, Taoyuan (TW)

(**) Term: **15 Years**

(21) Appl. No.: **29/692,572**

(22) Filed: **May 28, 2019**

(51) **LOC (13) Cl.** **13-03**

(52) **U.S. Cl.**
USPC **D13/154**

(58) **Field of Classification Search**
USPC D13/103, 107, 108, 110, 112, 118, 120, D13/123, 133, 137.1, 145-147, 149-156, D13/173, 177, 184, 199; D14/240, 242, D14/432-438, 435.1; D9/434; D8/323, D8/325, 326, 329, 349, 354, 389
CPC H01R 13/518; H05K 1/0203; H05K 7/20418; G02B 6/4269; G02B 6/4284
See application file for complete search history.

(56) **References Cited**

U.S. PATENT DOCUMENTS

D553,084 S * 10/2007 Huang D13/133
D607,836 S * 1/2010 Yang D13/154

D622,671 S * 8/2010 Wang D13/154
9,350,100 B2 * 5/2016 Takahashi H01R 12/724
D852,755 S * 7/2019 Wang D13/154
D875,688 S * 2/2020 Chen D13/154
D883,073 S * 5/2020 Jaramillo D8/354
D885,348 S * 5/2020 Akana D13/153

OTHER PUBLICATIONS

Trade India. 2.54 mm Pitch Wire to Wire Connectors. Mar. 28, 2017. <https://www.tradeindia.com/fp4047070/2-54-mm-Pitch-Wire-to-Wire-Connectors.html> (Year: 2017).*

* cited by examiner

Primary Examiner — Darcey E Gottschalk

(74) *Attorney, Agent, or Firm* — Winston Hsu

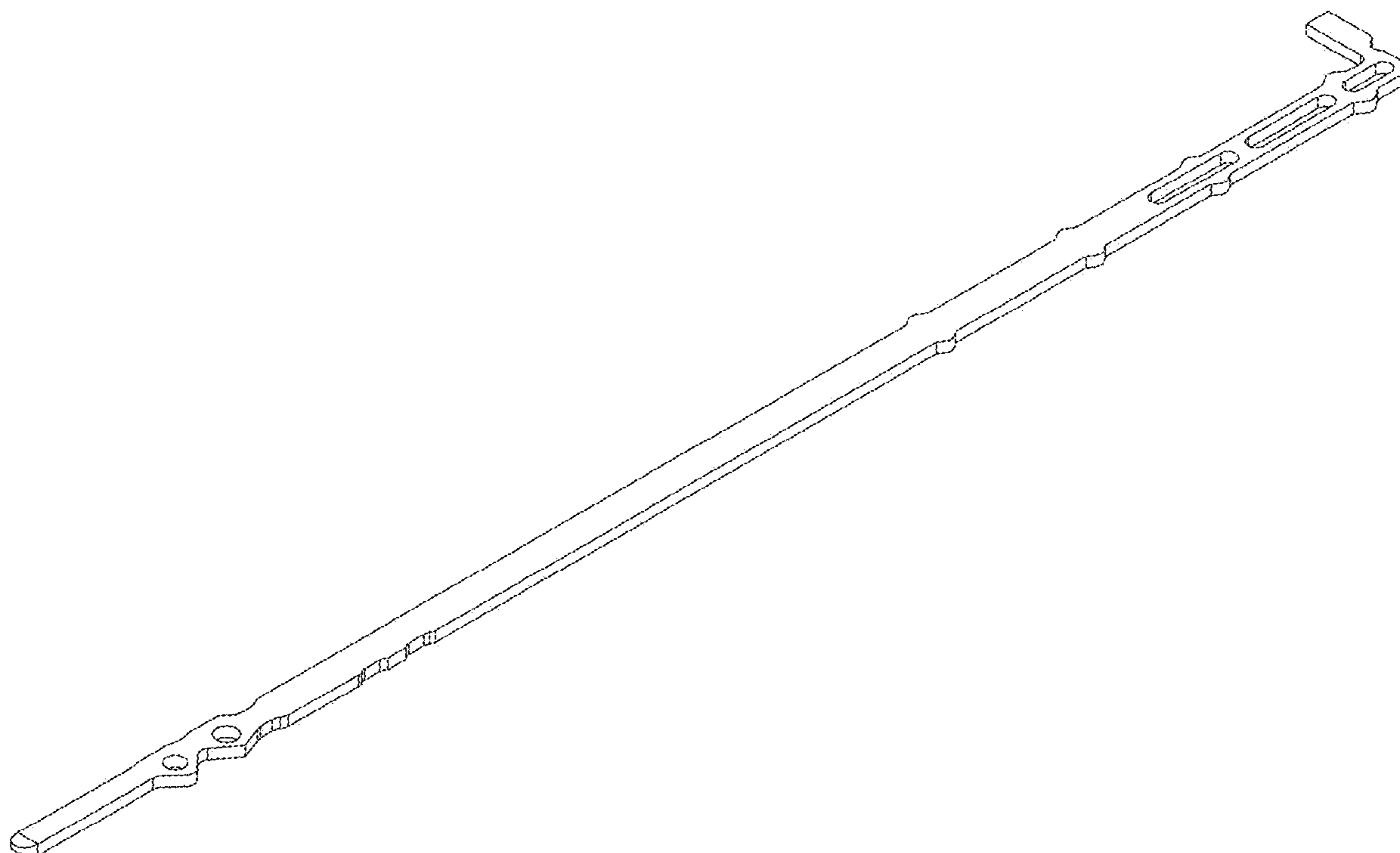
(57) **CLAIM**

The ornamental design for a connector contact, as shown and described.

DESCRIPTION

FIG. 1 is a bottom, front, and left side perspective view of a connector contact showing my new design;
FIG. 2 is a bottom, rear, and right side perspective view thereof;
FIG. 3 is a front elevation view thereof;
FIG. 4 is a rear elevation view thereof;
FIG. 5 is a left side elevation view thereof;
FIG. 6 is a right side elevation view thereof;
FIG. 7 is a top plan view thereof; and,
FIG. 8 is a bottom plan view thereof.

1 Claim, 8 Drawing Sheets



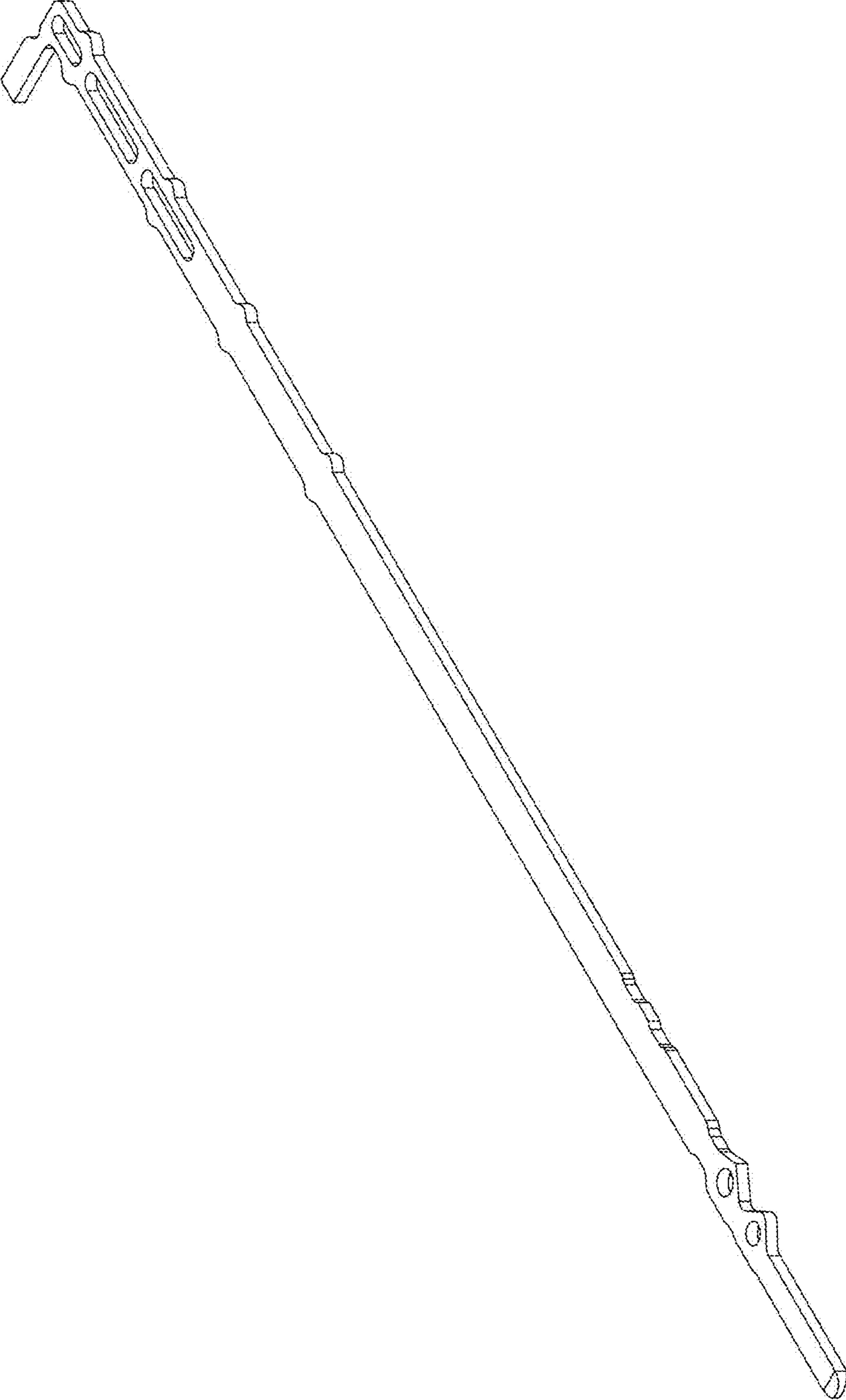


FIG. 1

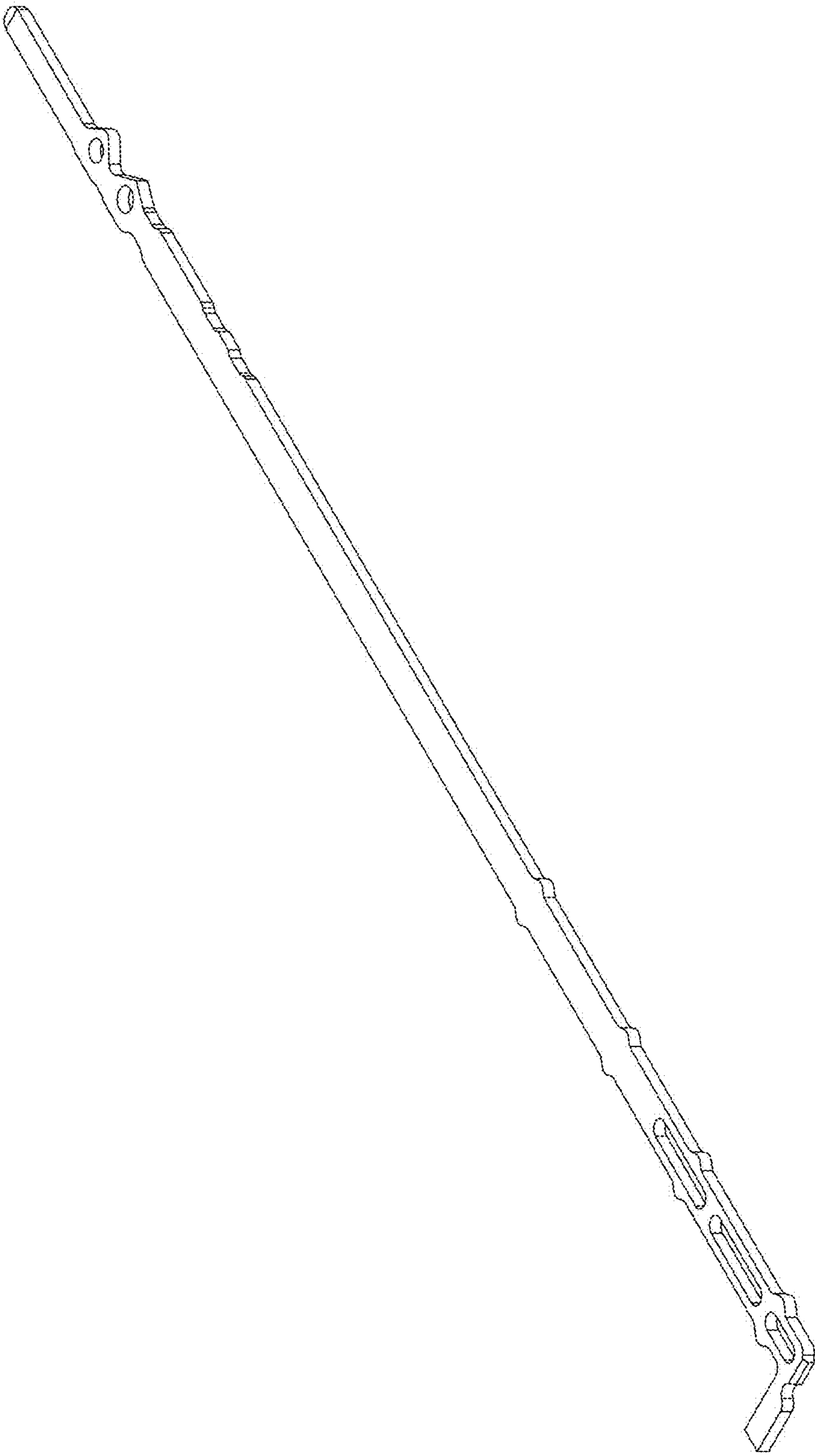


FIG. 2

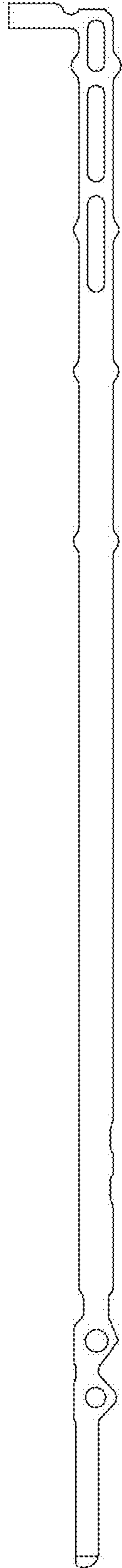


FIG. 3

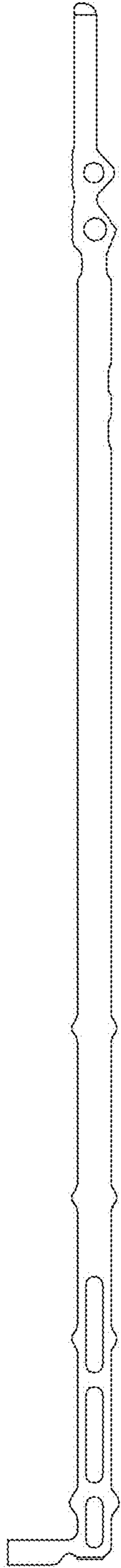


FIG. 4

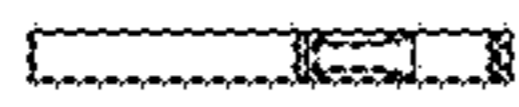


FIG. 5

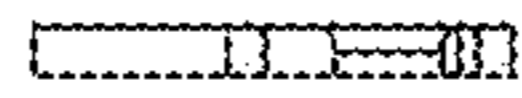


FIG. 6

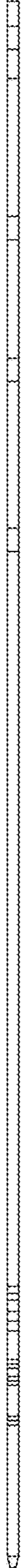


FIG. 7

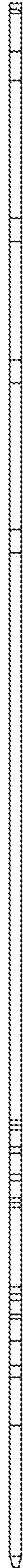


FIG. 8