



US00D911288S

(12) **United States Design Patent**
Jensen et al.

(10) **Patent No.:** **US D911,288 S**

(45) **Date of Patent:** **** Feb. 23, 2021**

(54) **TRACK FOR ELECTRICAL SOCKET**

(71) Applicant: **JACOB JENSEN DESIGN A/S**,
Hoejslev (DK)

(72) Inventors: **Timothy Jacob Jensen**, Hoejslev (DK);
Marina Lothigius, Shanghai (CN);
Danny Li, Shanghai (CN); **Maarten Sietzema**, Shanghai (CN)

(73) Assignee: **JACOB JENSEN DESIGN A/S**,
Hoejslev (DK)

(**) Term: **15 Years**

(21) Appl. No.: **29/640,748**

(22) Filed: **Mar. 16, 2018**

(51) **LOC (13) Cl.** **13-03**

(52) **U.S. Cl.**
USPC **D13/139.2**

(58) **Field of Classification Search**
USPC D13/107, 108, 110, 123, 133,
D13/137.1-137.4, 138.1-138.2,
D13/139.1-139.8, 151-156, 173, 177,
D13/184; D14/432, 433, 435.1
CPC H01R 11/00; H01R 9/00; H01R 13/00;
H01R 13/04; H01R 13/10; H01R
13/6666; H01R 13/6675; H01R 13/5845;
H01R 13/72; H01R 13/46; H01R 25/00;
H01R 25/006; H01R 31/06; H01H
2207/00; H01H 2207/022; H01B 7/2806
See application file for complete search history.

(56) **References Cited**

U.S. PATENT DOCUMENTS

D211,362 S	6/1968	Janda et al.
D212,362 S	10/1968	Noyes
D244,210 S	5/1977	Bliven
D284,762 S	7/1986	Mo
D290,118 S	6/1987	Kaufman
D301,231 S	5/1989	Yoshiharu

D334,562 S *	4/1993	Maloney	D13/155
D352,277 S *	11/1994	Olsen	D13/173
D363,701 S *	10/1995	Paquette	D13/154
6,089,878 A *	7/2000	Meng	H01R 12/7082 439/74

D438,186 S	2/2001	Rodgers et al.	
D463,388 S	9/2002	Thomsen	
D482,653 S	11/2003	Cho	
D503,397 S	3/2005	Stevens et al.	
D514,526 S	2/2006	Chen et al.	

(Continued)

OTHER PUBLICATIONS

Ifworlddesignguide.com: XPOWER Modular power track. Published Jun. 19, 2019. Retrieved from the internet at <https://ifworlddesignguide.com/entry/232279-xpower>, Jun. 19, 2019. 1 page. (Year: 2019).*

(Continued)

Primary Examiner — Christy Nemeth

(74) *Attorney, Agent, or Firm* — Adsero IP

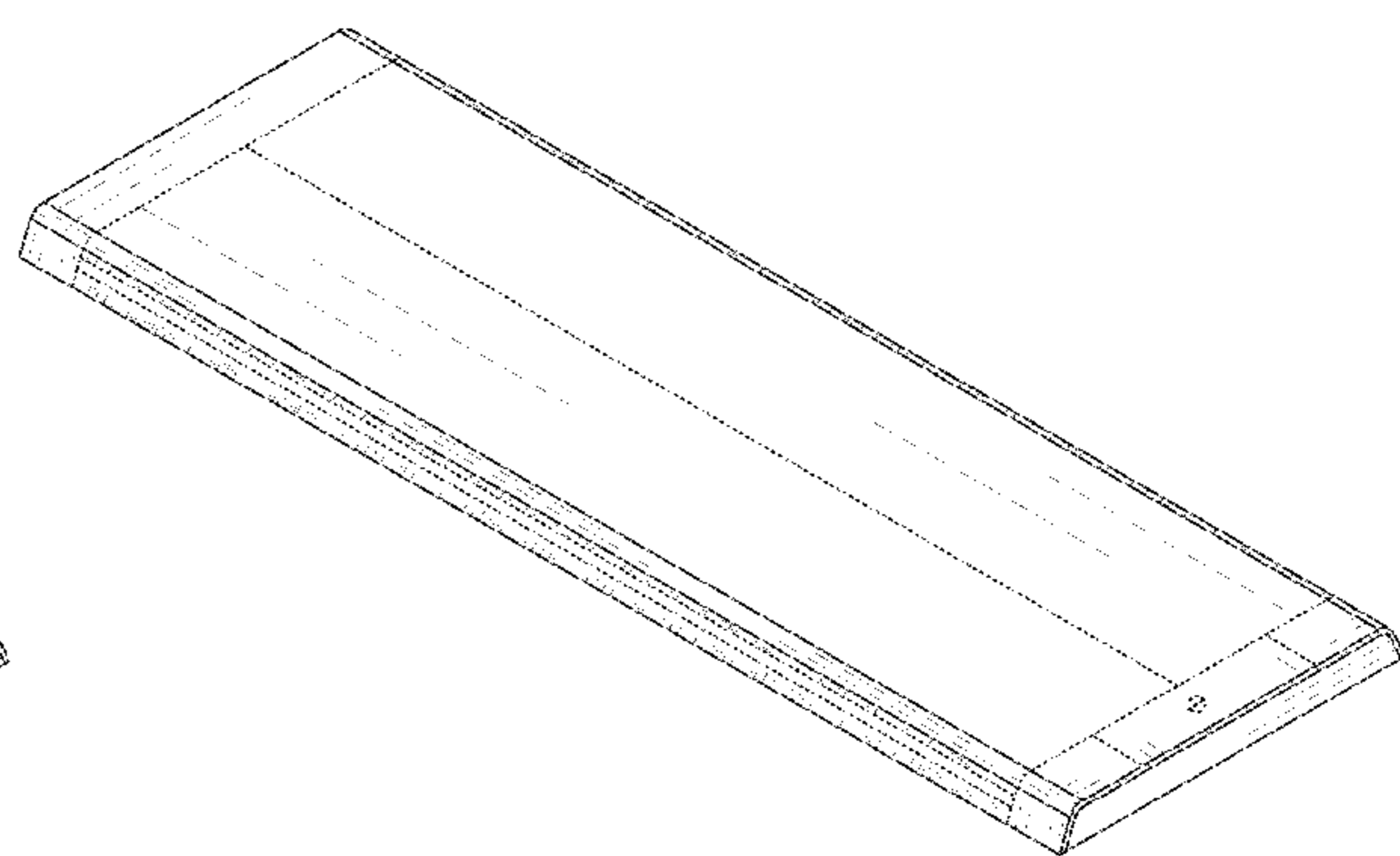
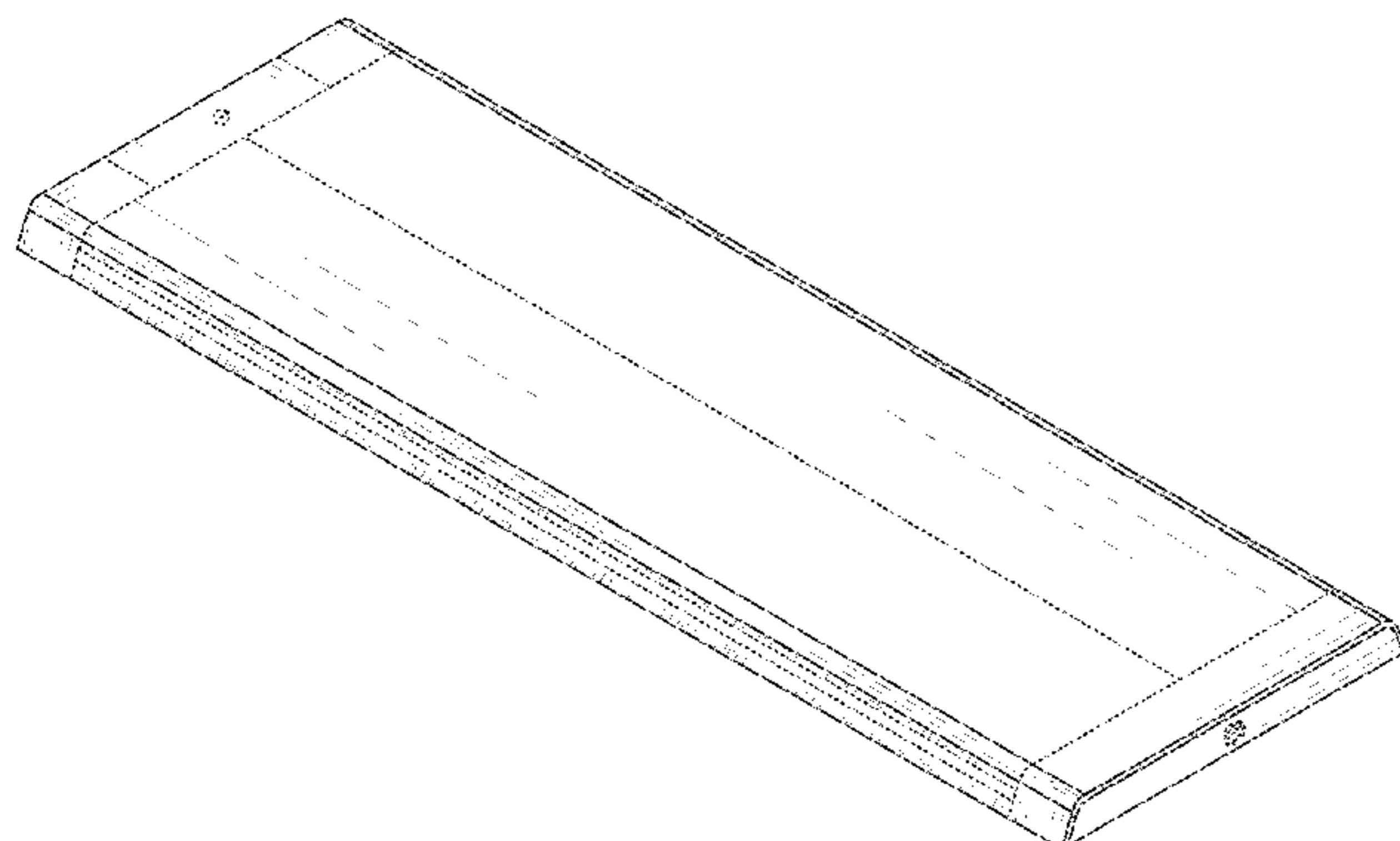
(57) **CLAIM**

The ornamental design for a track for electrical socket, as shown and described.

DESCRIPTION

FIG. 1 is a rear elevation view of a track for electrical socket showing our new design;
FIG. 2 is a top plan view thereof;
FIG. 3 is a front elevation view thereof;
FIG. 4 is a bottom plan view thereof;
FIG. 5 is a left side elevation view thereof;
FIG. 6 is a right side elevation view thereof;
FIG. 7 is a top and back perspective view thereof; and,
FIG. 8 is a top and front perspective view thereof.
The broken lines in the figures are for the purpose of illustrating portions of the track for electrical socket that form no part of the claimed design.

1 Claim, 6 Drawing Sheets



(56)

References Cited

U.S. PATENT DOCUMENTS

D519,918 S 5/2006 Wilson et al.
 7,220,128 B1* 5/2007 Hicks H01R 25/00
 439/32
 D596,929 S * 7/2009 Lawrence D8/356
 7,717,738 B2* 5/2010 Mabry H01R 25/003
 439/501
 D630,173 S * 1/2011 Donowho D13/184
 D632,660 S * 2/2011 Donowho D13/184
 7,982,335 B2* 7/2011 Aldag H01R 25/142
 307/11
 D656,488 S 3/2012 Nakayama et al.
 D658,616 S 5/2012 VanDerFlier et al.
 8,187,028 B2* 5/2012 Feigl H05K 7/1457
 439/540.1
 D662,074 S 6/2012 Corsini et al.
 D675,616 S 2/2013 Ahmed et al.
 D692,837 S * 11/2013 Knapp D13/139.2
 D695,028 S 12/2013 Hagerty
 D695,219 S 12/2013 Dasbach
 8,616,921 B2* 12/2013 Byrne H01R 25/00
 439/214
 D742,823 S 11/2015 Nitz
 D755,127 S 5/2016 Wong
 D775,077 S 12/2016 Xu
 9,583,902 B2* 2/2017 Irons H05K 7/1492
 D791,698 S 7/2017 Kim et al.
 D791,700 S 7/2017 Loewen
 D808,904 S 1/2018 Koenig
 D810,086 S 2/2018 Xie
 D810,087 S 2/2018 Xie
 D810,698 S 2/2018 Hahn et al.
 D811,338 S 2/2018 Zhu
 D823,804 S 7/2018 Zhu
 D832,786 S 11/2018 Zhu
 D833,974 S * 11/2018 Tyrrell D13/139.2

D836,081 S 12/2018 Liu et al.
 D836,567 S 12/2018 Lee et al.
 D837,747 S 1/2019 Lee et al.
 10,181,675 B1* 1/2019 Anderson A47B 95/002
 D845,244 S * 4/2019 Andersson D13/139.2
 D845,902 S 4/2019 Xu
 D865,768 S 11/2019 Du et al.
 D871,341 S 12/2019 Jensen et al.
 2005/0115152 A1* 6/2005 Levesque E05D 15/505
 49/192
 2016/0043584 A1 2/2016 Sun

OTHER PUBLICATIONS

Design U.S. Appl. No. 29/640,739, filed Mar. 16, 2018; 7 pages.
 Design U.S. Appl. No. 29/640,725, filed Mar. 16, 2018; 8 pages.
 Design U.S. Appl. No. 29/650,955, filed Jun. 11, 2018; 10 pages.
 Design U.S. Appl. No. 29/650,958, filed Jun. 11, 2018; 10 pages.
 Design U.S. Appl. No. 29/640,725, NonFinalOA dated Mar. 18, 2019 22 pages.
 Design U.S. Appl. No. 29/640,739, NonFinalOA dated Jun. 25, 2019, 21 pages.
 Design U.S. Appl. No. 29/650,958, ExParte Quayle Action, dated Aug. 8, 2019, 18 pages.
 Design U.S. Appl. No. 29/640,725, Notice of Allowance dated Sep. 5, 2019, 11 pages.
 Beacom 4 Cordless DECT Telephone. beoworld.org. (online) 3 pgs. Manufactured since 2003. [Retrieved on Aug, 5, 2019] https://www.beoworld.org/prod_details.asp?pid=783.
 Design U.S. Appl. No. 29/650,955, Ex-Parte Quayle Action, dated Dec. 27, 2019, 17 pages.
 Design U.S. Appl. No. 29/650,958, Notice of Allowance, dated Jan. 6, 2020, 10 pages.
 Design U.S. Appl. No. 29/640,739, Final-OA dated Jan. 24, 2020, 12 pages.

* cited by examiner

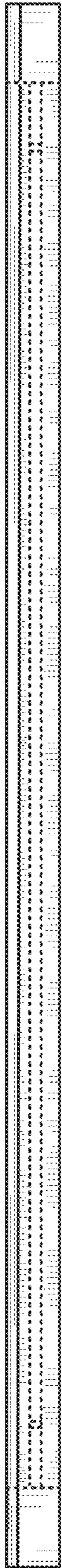


FIG. 1

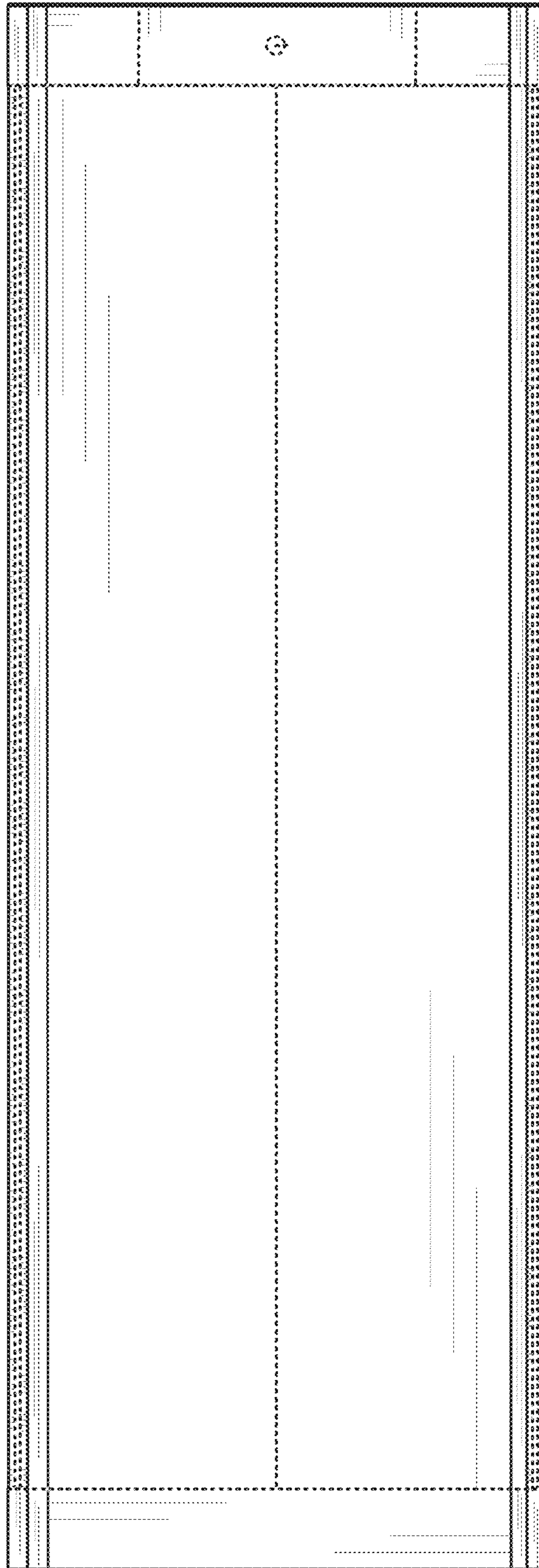


FIG. 2

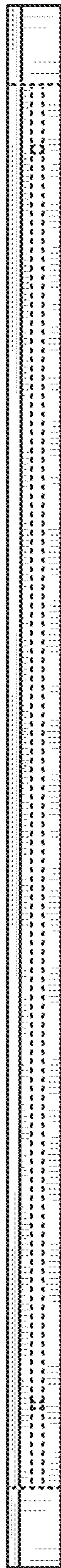


FIG. 3

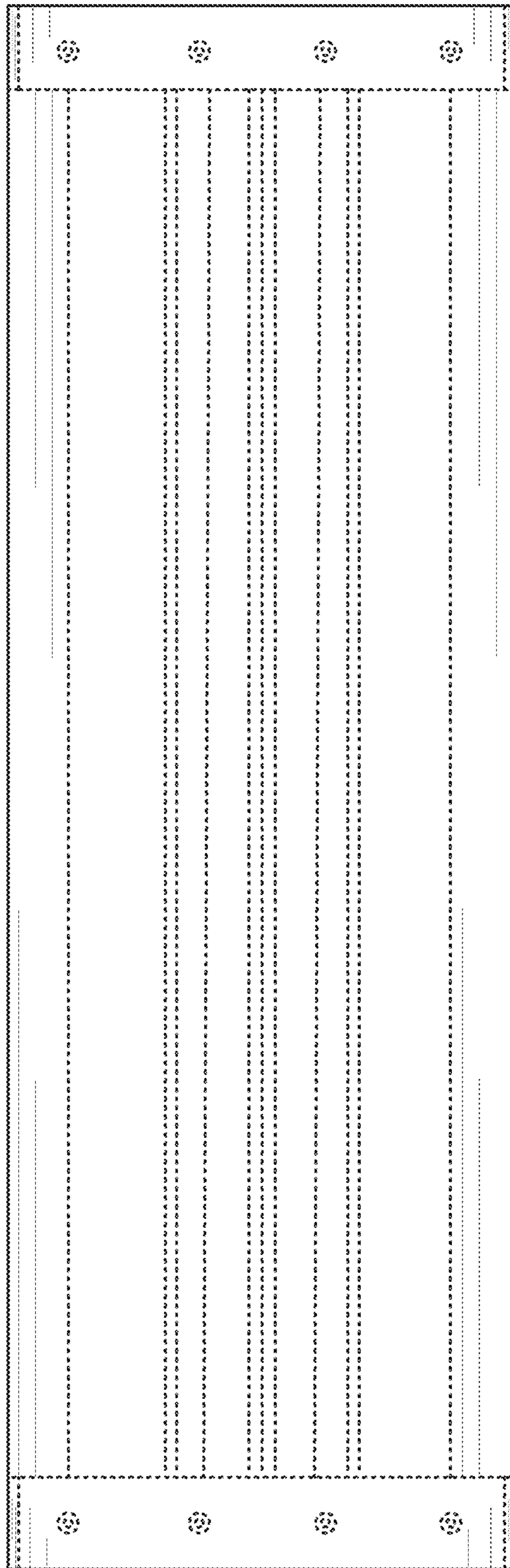


FIG. 4



FIG. 5

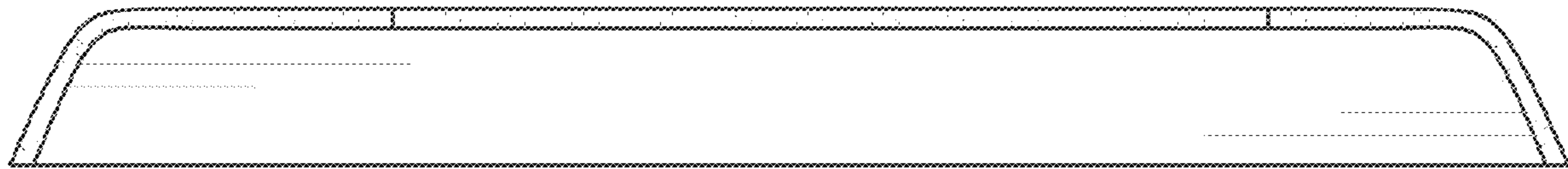


FIG. 6

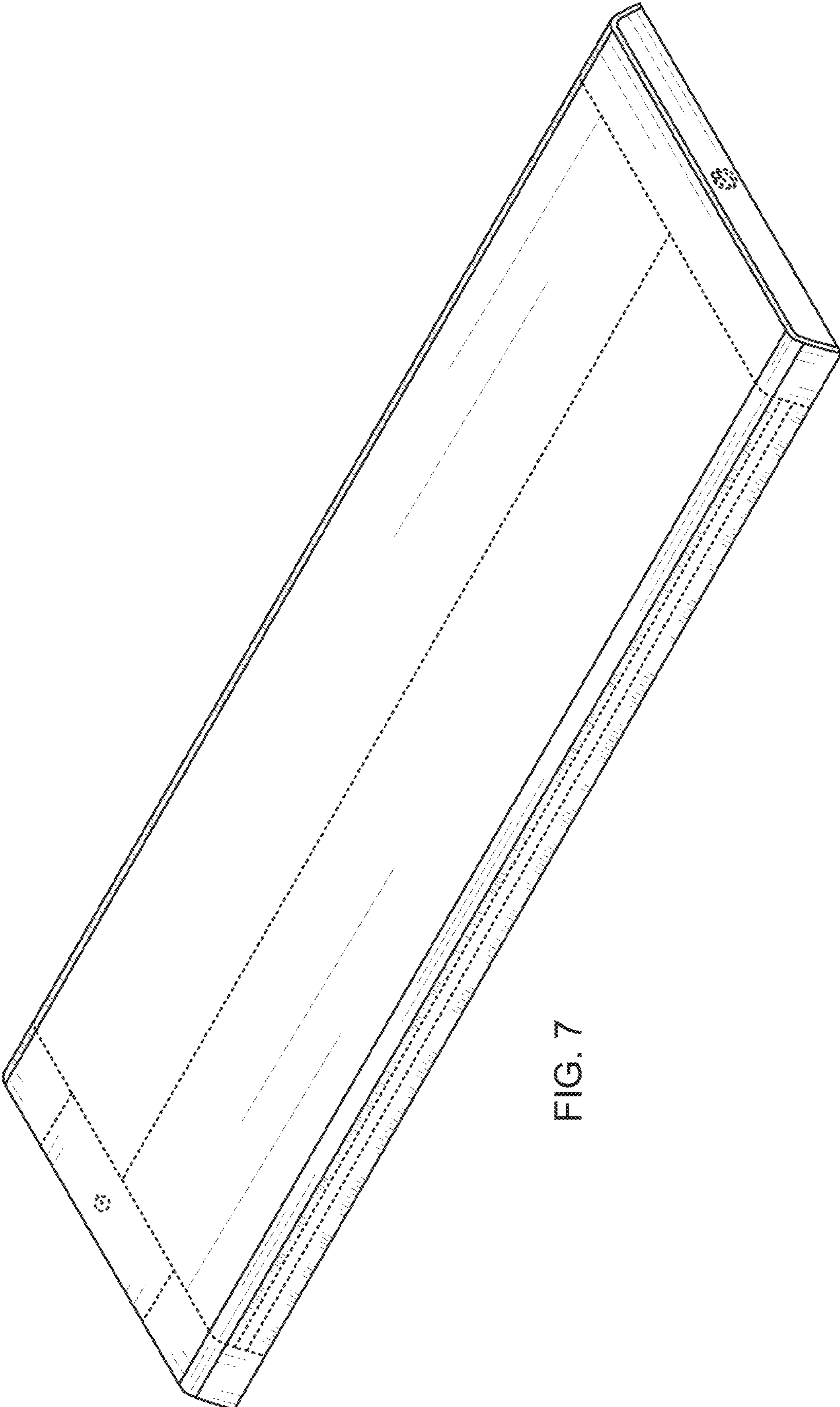


FIG. 7

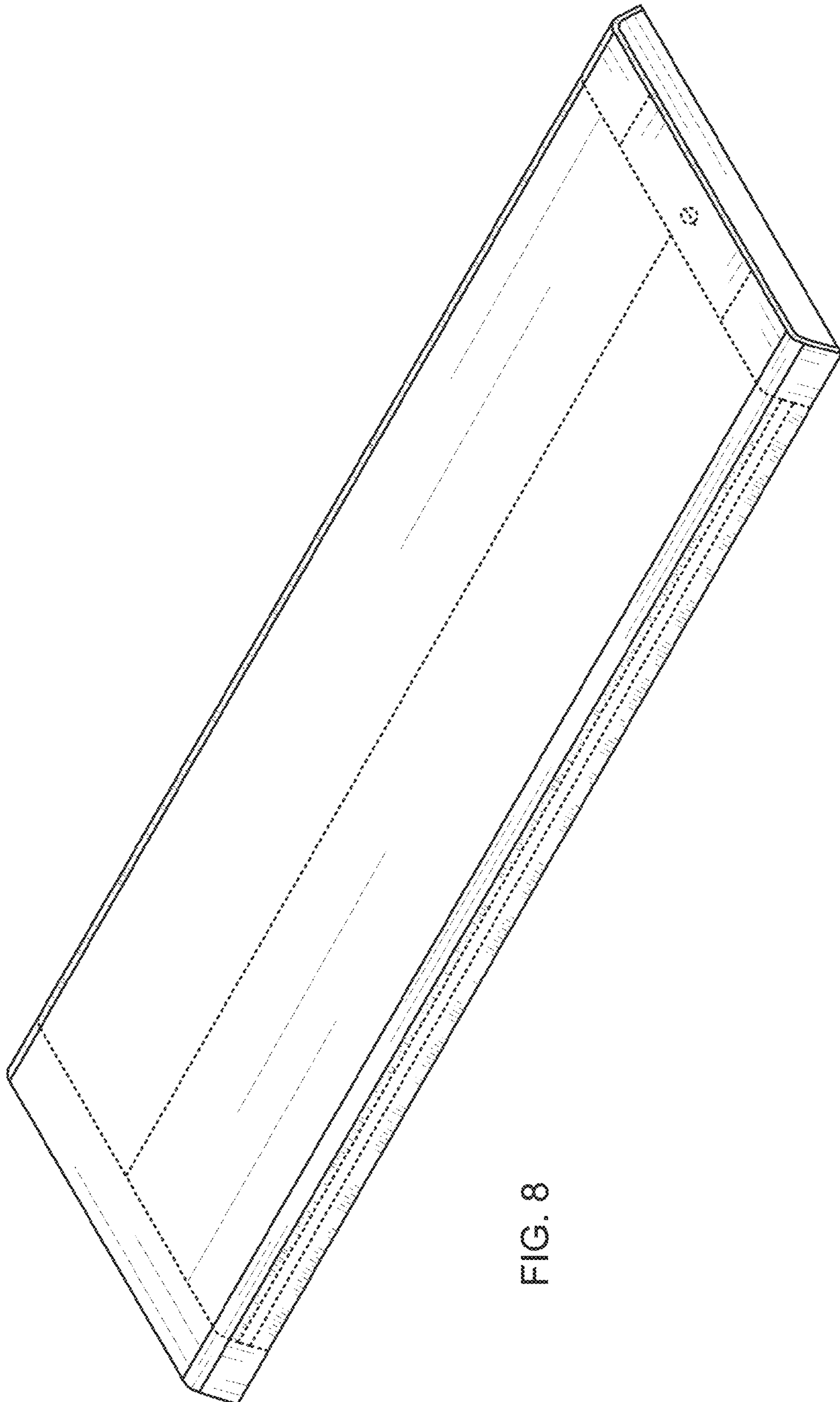


FIG. 8