



US00D911286S

(12) **United States Design Patent** (10) **Patent No.:** **US D911,286 S**
Esses (45) **Date of Patent:** **** Feb. 23, 2021**

(54) **SMART JUMPER CABLE**

OTHER PUBLICATIONS

(71) Applicant: **Alfred Esses**, Brooklyn, NY (US)

“Booster Jumper Cables”. Found online Aug. 26, 2020 at amazon.com. Reference dated Oct. 29, 2017. Retrieved from <https://www.amazon.com/Booster-Automotive-Replacement-Alligator-STARTER/dp/B076Z8Y42N>. (Year: 2017).*

(72) Inventor: **Alfred Esses**, Brooklyn, NY (US)

“Smart Clamps—Jumper Cables”. Found online Aug. 27, 2020 at amazon.com. Reference dated Sep. 25, 2015. Retrieved from <https://www.amazon.com/HEAVY-Antigravity-Batteries-Smart-Clamps/dp/B073KZLCNL>. (Year: 2015).*

(**) Term: **15 Years**

“Smart Jumper Cables”. Found online Aug. 31, 2020 at youtube.com. Reference dated Apr. 5, 2017. Retrieved from <https://www.youtube.com/watch?v=QG9yKt8dg8>. (Year: 2017).*

(21) Appl. No.: **29/685,456**

(22) Filed: **Mar. 28, 2019**

(51) **LOC (13) Cl.** **13-03**

(52) **U.S. Cl.**
USPC **D13/120**

(58) **Field of Classification Search**
USPC D13/101, 118, 119, 120, 121, 133, 146,
D13/147, 149, 151, 153, 156; D8/72
CPC H01R 11/00; H01R 11/24; H01R 43/027
See application file for complete search history.

* cited by examiner

Primary Examiner — Kendra Leslie Hamilton
Assistant Examiner — Amanda Christensen
(74) *Attorney, Agent, or Firm* — Bochner IP; Andrew D. Bochner

(56) **References Cited**

(57) **CLAIM**

U.S. PATENT DOCUMENTS

The ornamental design for a smart jumper cable, as shown and described.

D280,614 S *	9/1985	Bates	D13/120
4,897,044 A *	1/1990	Rood	G01R 31/67
				439/504
D351,372 S *	10/1994	Donovan, Jr.	D13/120
5,833,493 A *	11/1998	Hung	H01R 11/00
				439/504
6,386,907 B1 *	5/2002	Ruffa	H01R 11/24
				439/504
6,896,544 B1 *	5/2005	Kuelbs	H01R 11/24
				439/504
D597,029 S *	7/2009	Li	D13/120
D625,265 S *	10/2010	DuMelle	D13/120
D689,020 S *	9/2013	Demirjian	D13/120
D746,774 S *	1/2016	Nook	D13/120
D853,330 S *	7/2019	Dai	D13/120
D881,813 S *	4/2020	Nook	D13/120
D889,411 S *	7/2020	Wang	D13/120

DESCRIPTION

FIG. 1 is a top isometric view of a smart jumper cable, showing my new design;
FIG. 2 is a top plan view of thereof;
FIG. 3 is a bottom plan view of thereof;
FIG. 4 is a front elevation view thereof;
FIG. 5 is a back elevation view thereof;
FIG. 6 is a right side elevation view thereof; and,
FIG. 7 is a left side elevation view thereof.
The broken lines represent portions of the smart jumper cable and form no part of the claimed design.

1 Claim, 5 Drawing Sheets

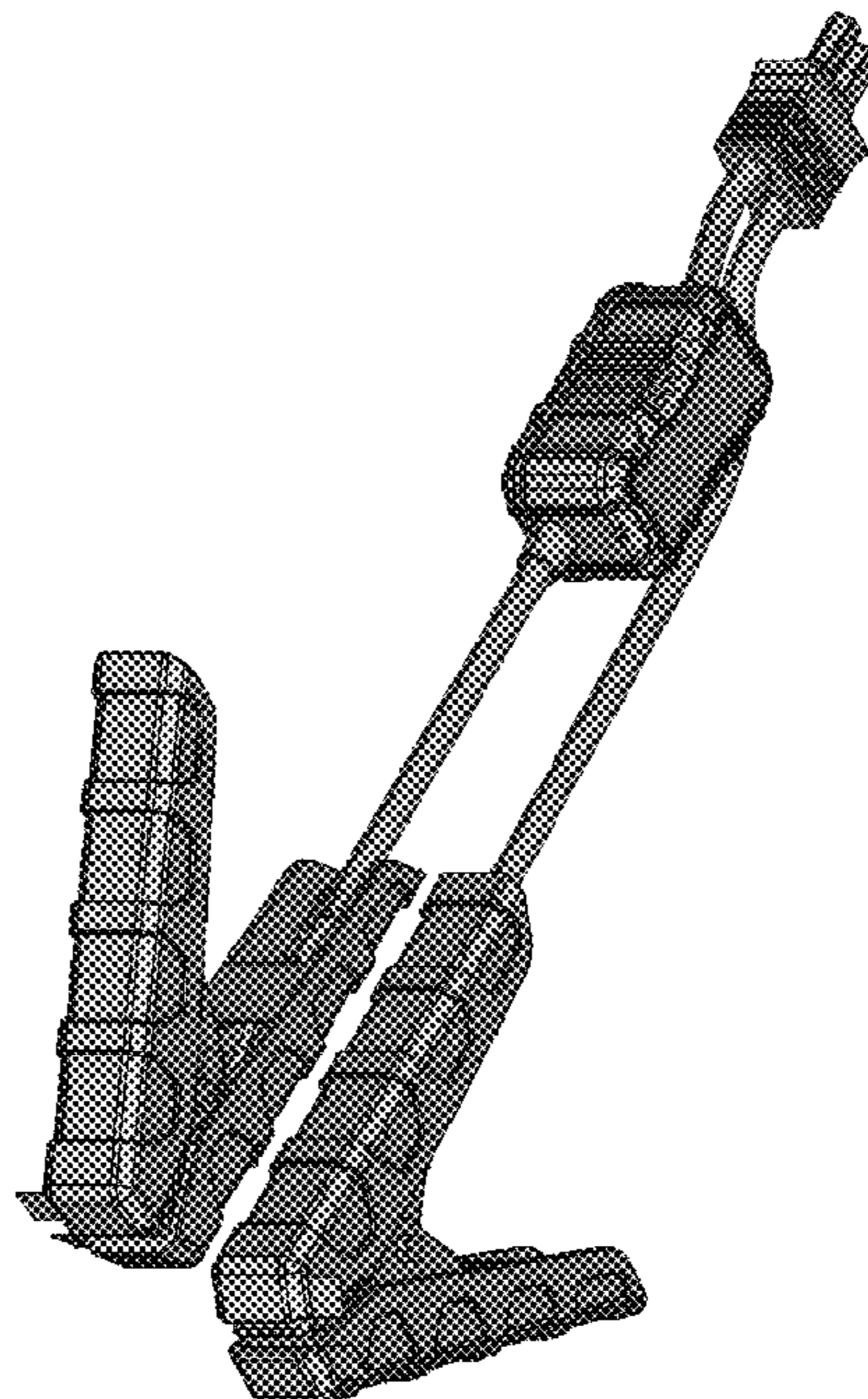


FIG. 1

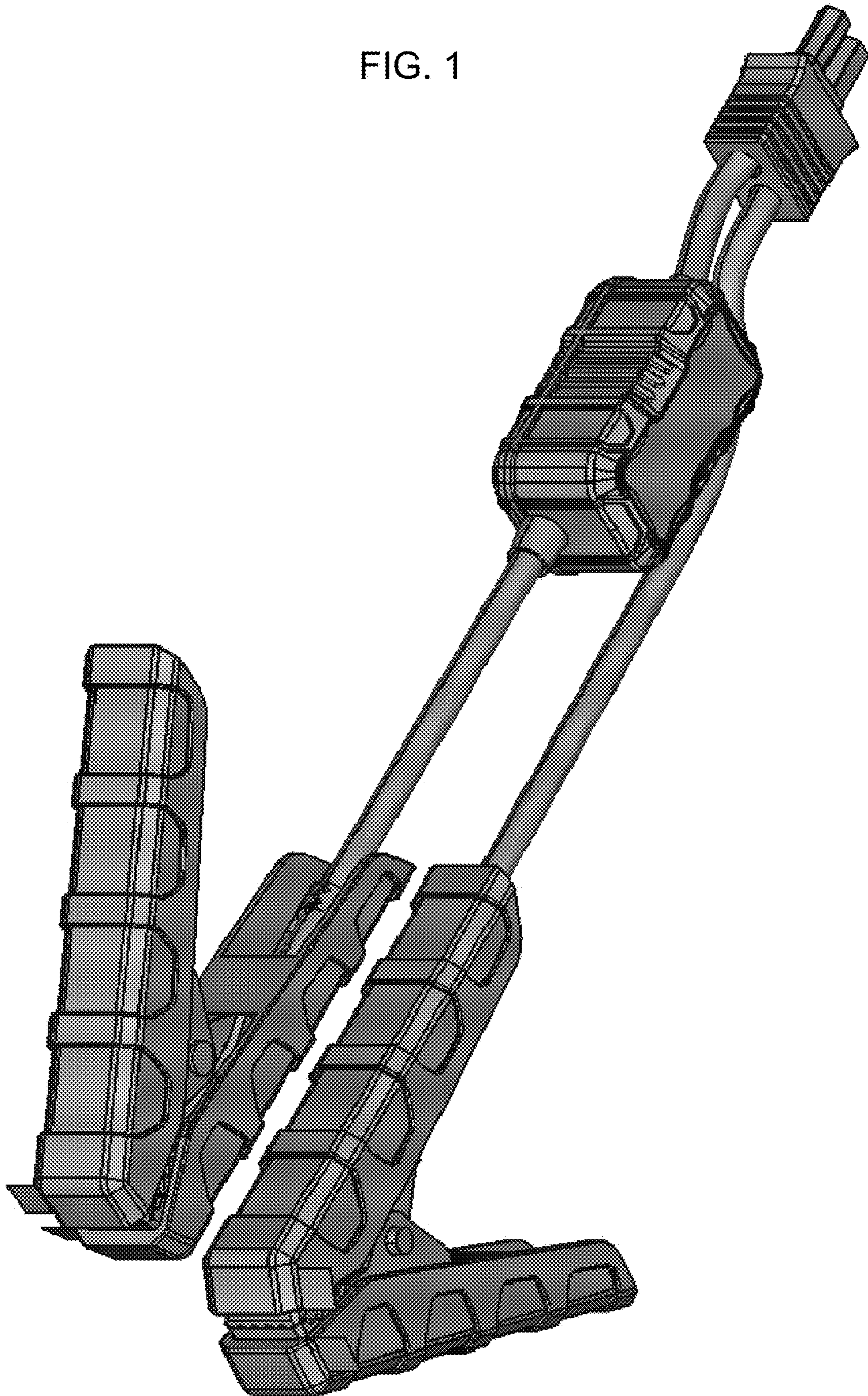


FIG. 2

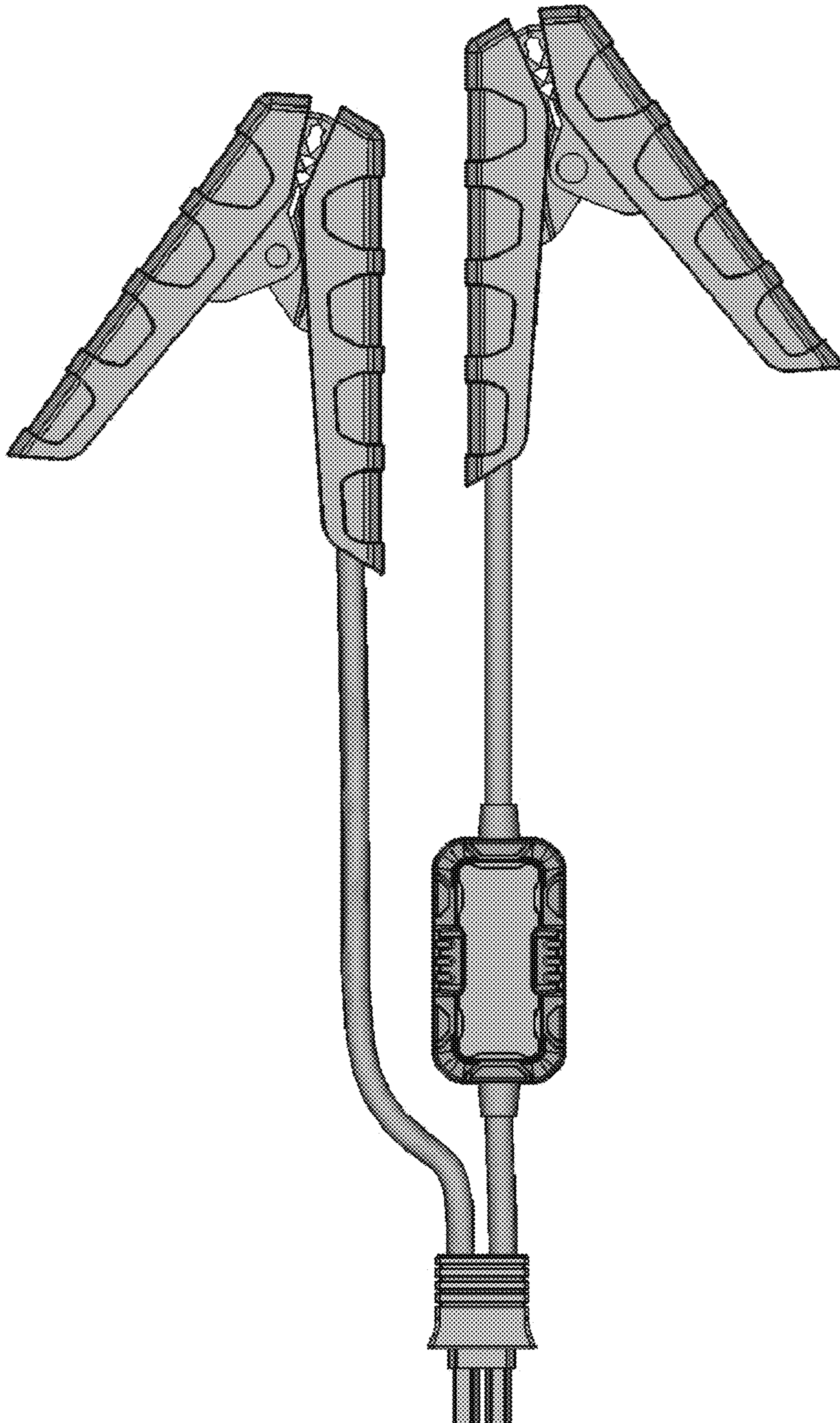


FIG. 3

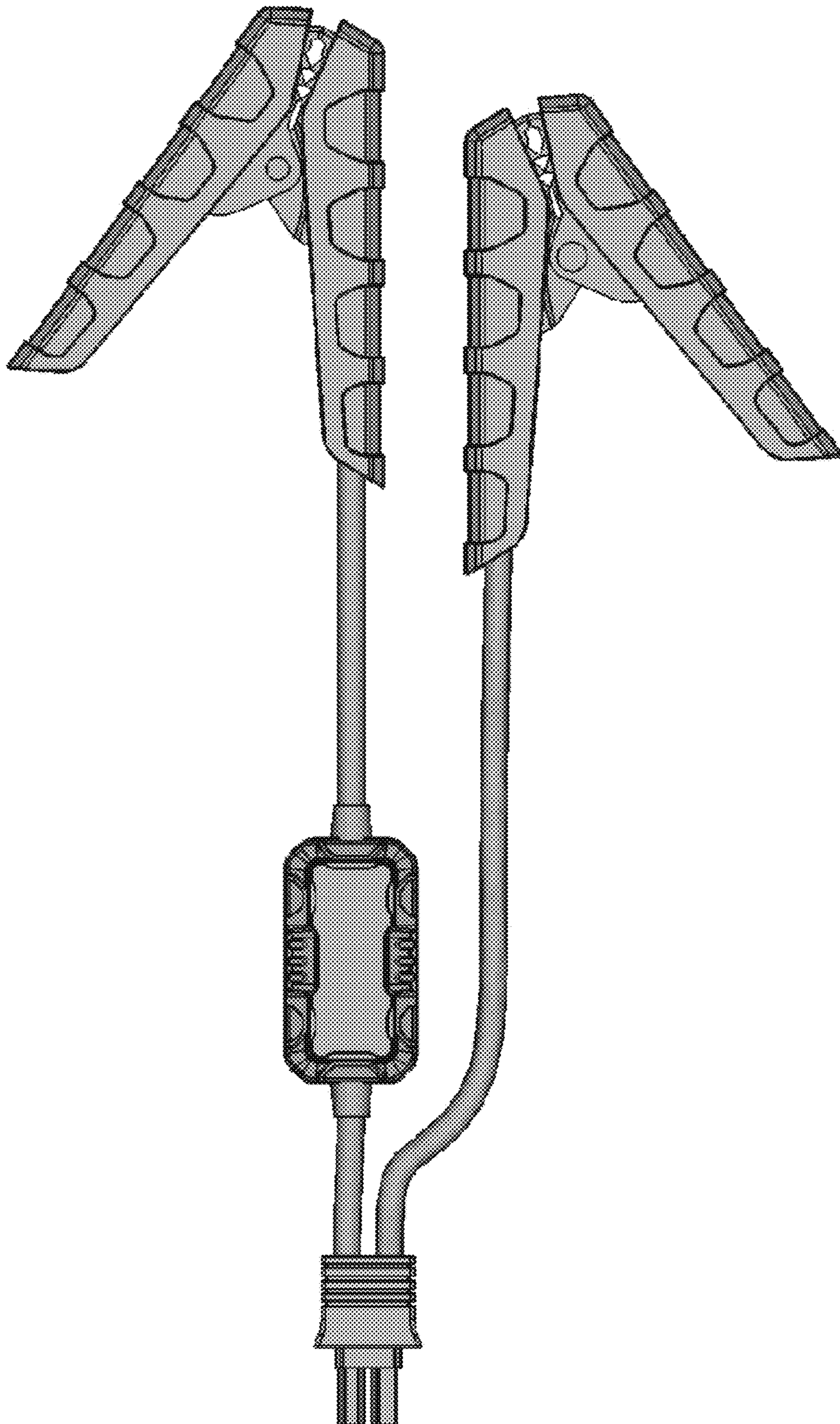


FIG. 4

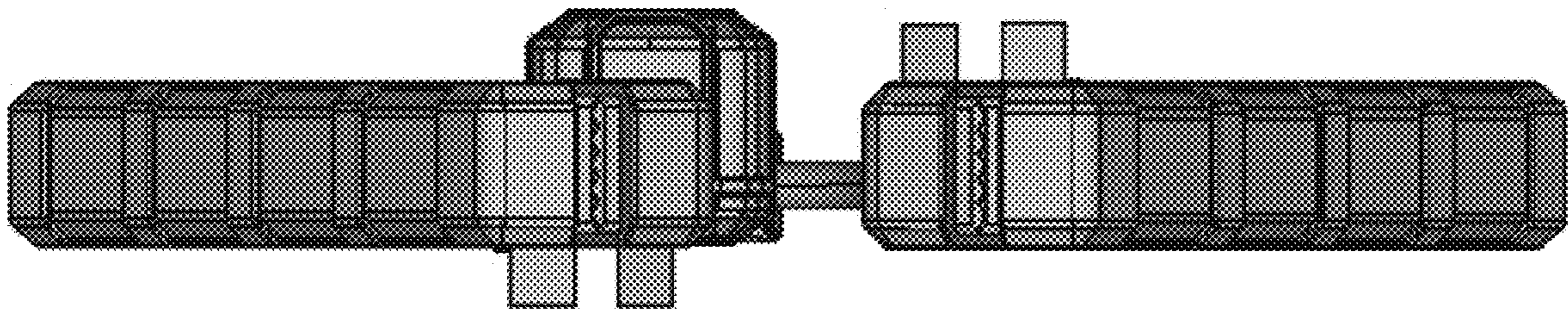


FIG. 5

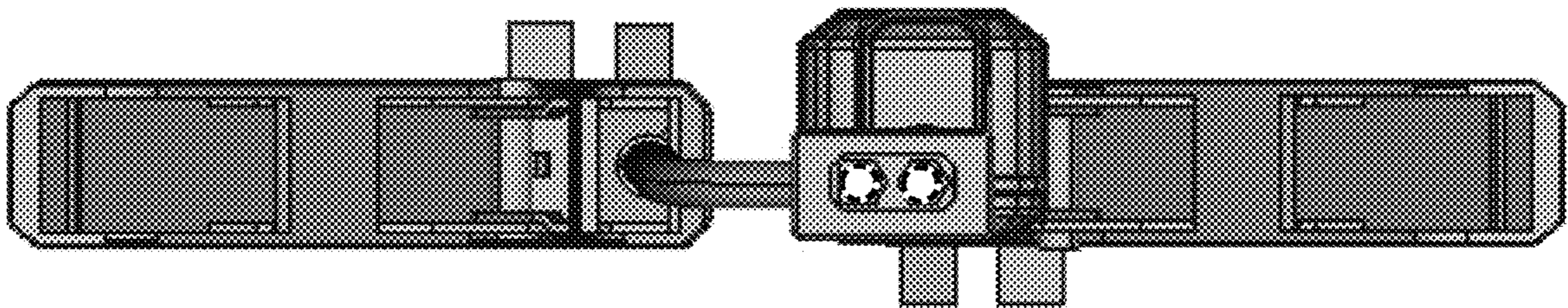


FIG. 6

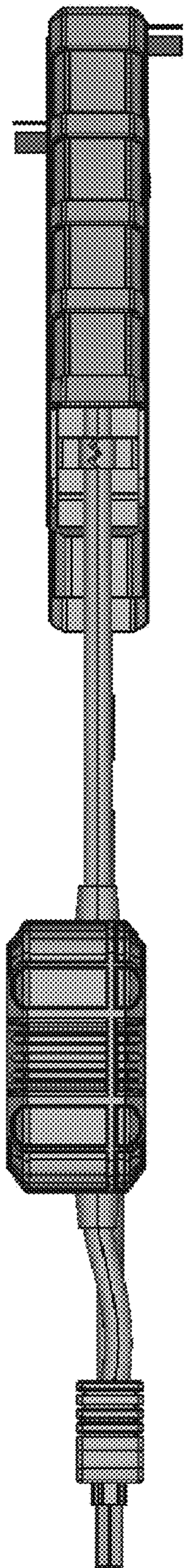


FIG. 7

