



US00D911283S

(12) **United States Design Patent**
Chen

(10) **Patent No.:** **US D911,283 S**

(45) **Date of Patent:** **** Feb. 23, 2021**

- (54) **TRANSFORMER SKELETON**
- (71) Applicant: **Changzhou Jutai Electronic Co., Ltd.,**
Changzhou (CN)
- (72) Inventor: **Jinghua Chen,** Changzhou (CN)
- (**) Term: **15 Years**
- (21) Appl. No.: **29/717,527**
- (22) Filed: **Dec. 18, 2019**
- (51) **LOC (13) Cl.** **13-02**
- (52) **U.S. Cl.**
USPC **D13/110; D13/118**
- (58) **Field of Classification Search**
USPC **D13/101, 110, 117, 118, 133, 179, 183,**
D13/184
CPC **H01F 27/04; H01F 27/24; H01F 27/28;**
H01F 27/29; H01F 27/30; H01F 27/34;
H01F 27/245; H01F 27/255; H01F
27/266; H01F 27/292; H01F 27/306;
H01F 27/325; H01F 27/2804; H01F
27/2823; H01F 27/2847; H01F 17/043;
H01F 17/045; H01F 37/00; H02M 3/28
See application file for complete search history.

- D334,913 S * 4/1993 Sato D13/118
- D385,848 S * 11/1997 Sato D13/118
- 6,373,366 B1 * 4/2002 Sato H01F 17/045
336/192
- D595,226 S * 6/2009 Jidaisho D13/110
- D644,608 S * 9/2011 Kobayashi D13/118
- D665,740 S * 8/2012 Yamada D13/117
- 8,643,455 B2 * 2/2014 Ogawa H01F 27/027
336/83
- D742,842 S * 11/2015 Hayashi D13/182
- D790,468 S * 6/2017 Kokura D13/117

* cited by examiner

Primary Examiner — Derrick E Holland
(74) *Attorney, Agent, or Firm* — W&K IP

(57) **CLAIM**

The ornamental design for a transformer skeleton, as shown and described.

DESCRIPTION

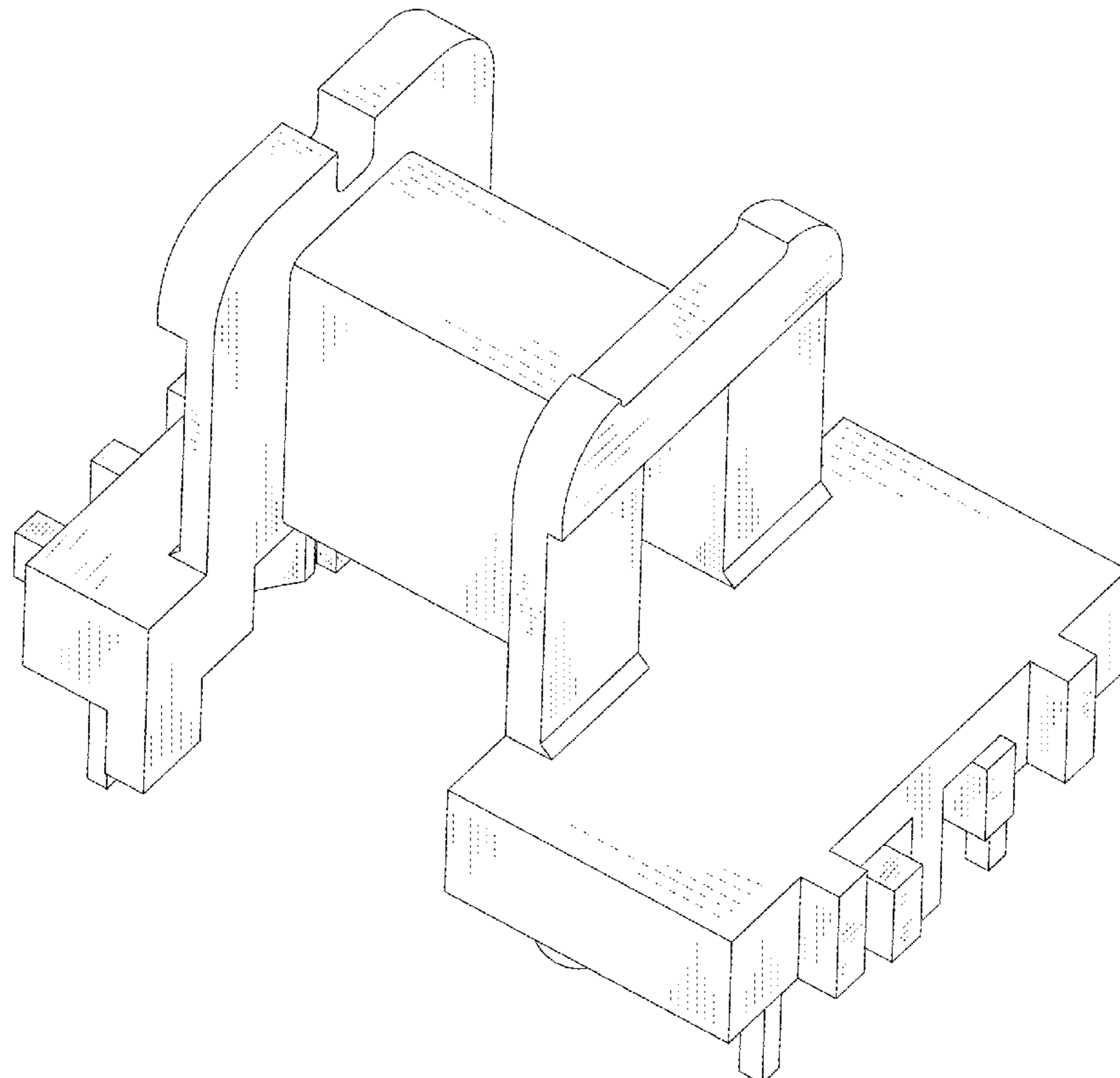
FIG. 1 is a perspective view of a transformer skeleton;
FIG. 2 is another perspective view thereof;
FIG. 3 is a front elevational view thereof;
FIG. 4 is a rear elevational view thereof;
FIG. 5 is a left elevational view thereof;
FIG. 6 is a right elevational view thereof;
FIG. 7 is a top plan view thereof; and,
FIG. 8 is a bottom plan view thereof.

(56) **References Cited**

U.S. PATENT DOCUMENTS

- D294,565 S * 3/1988 Makinson D13/110
- 4,931,761 A * 6/1990 Kijima H01F 27/266
336/160

1 Claim, 8 Drawing Sheets



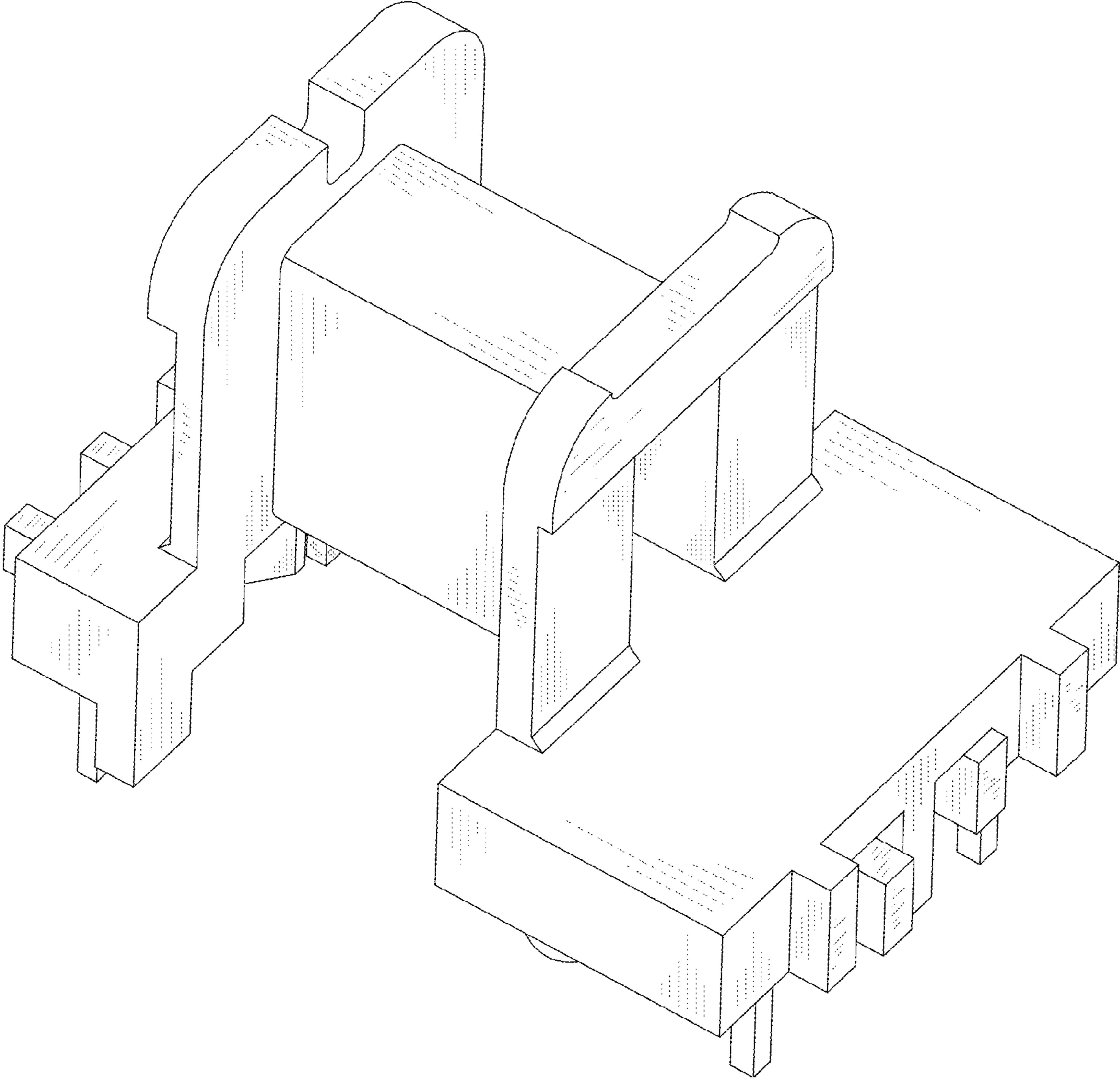


FIG.1

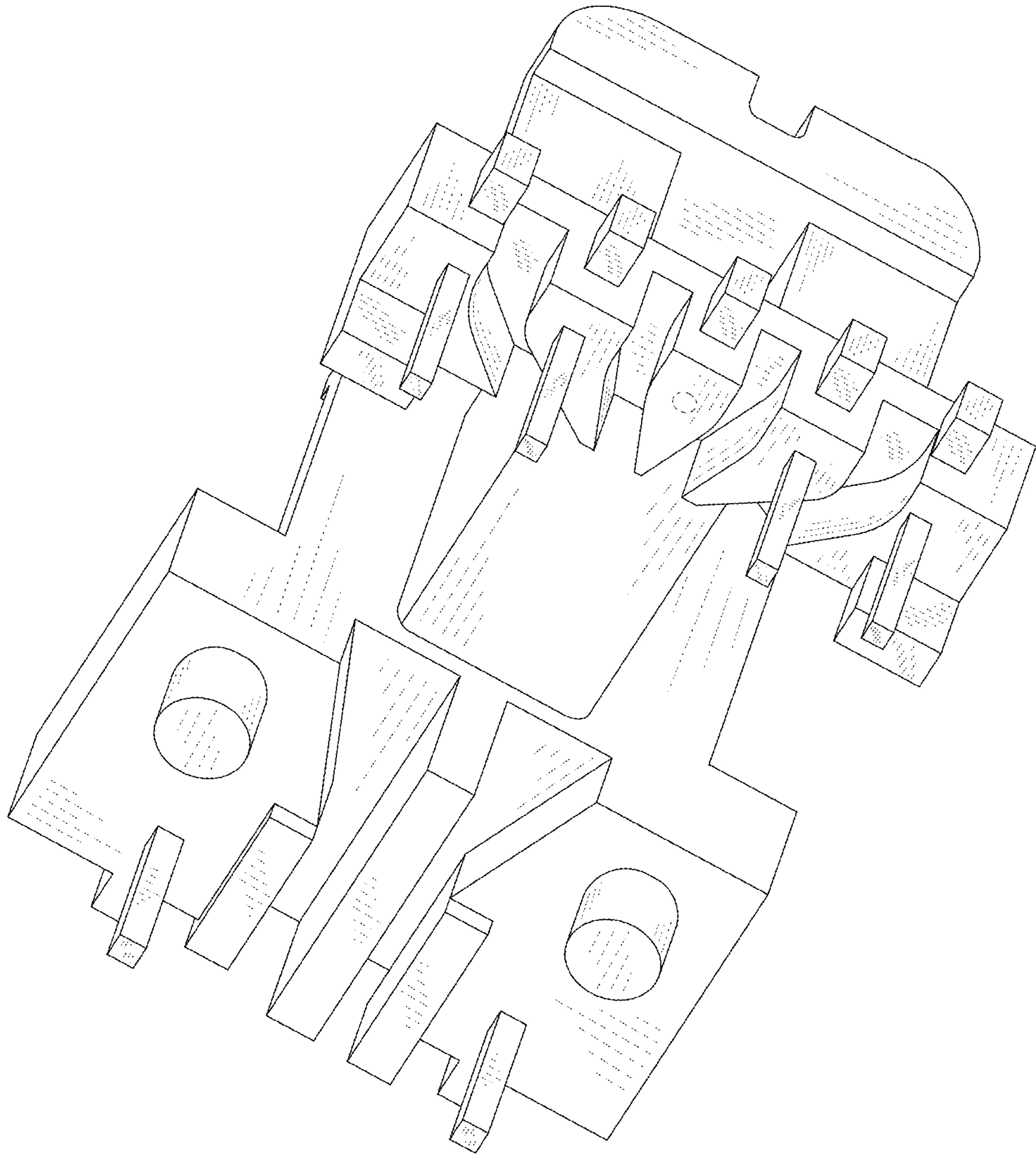


FIG. 2

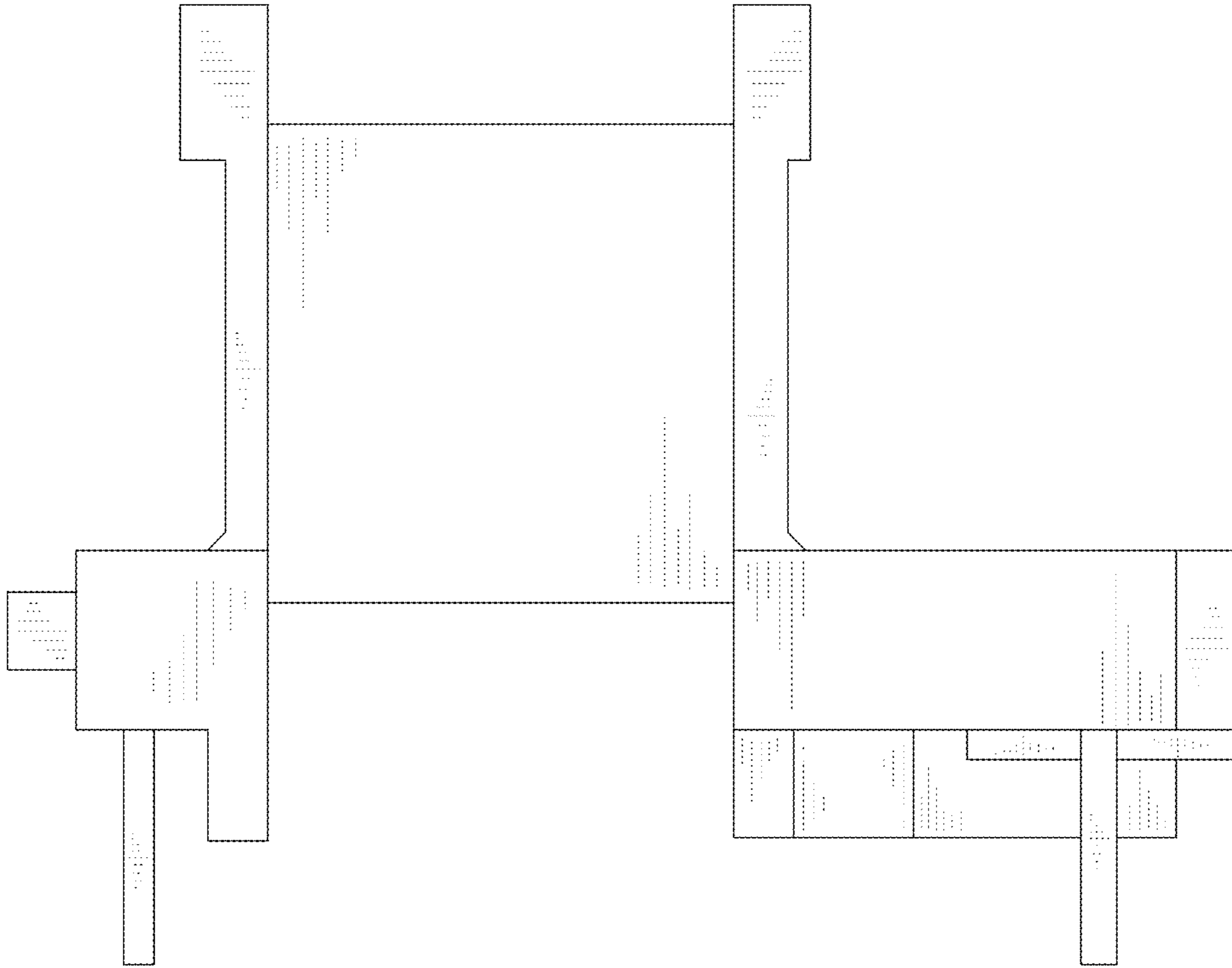


FIG. 3

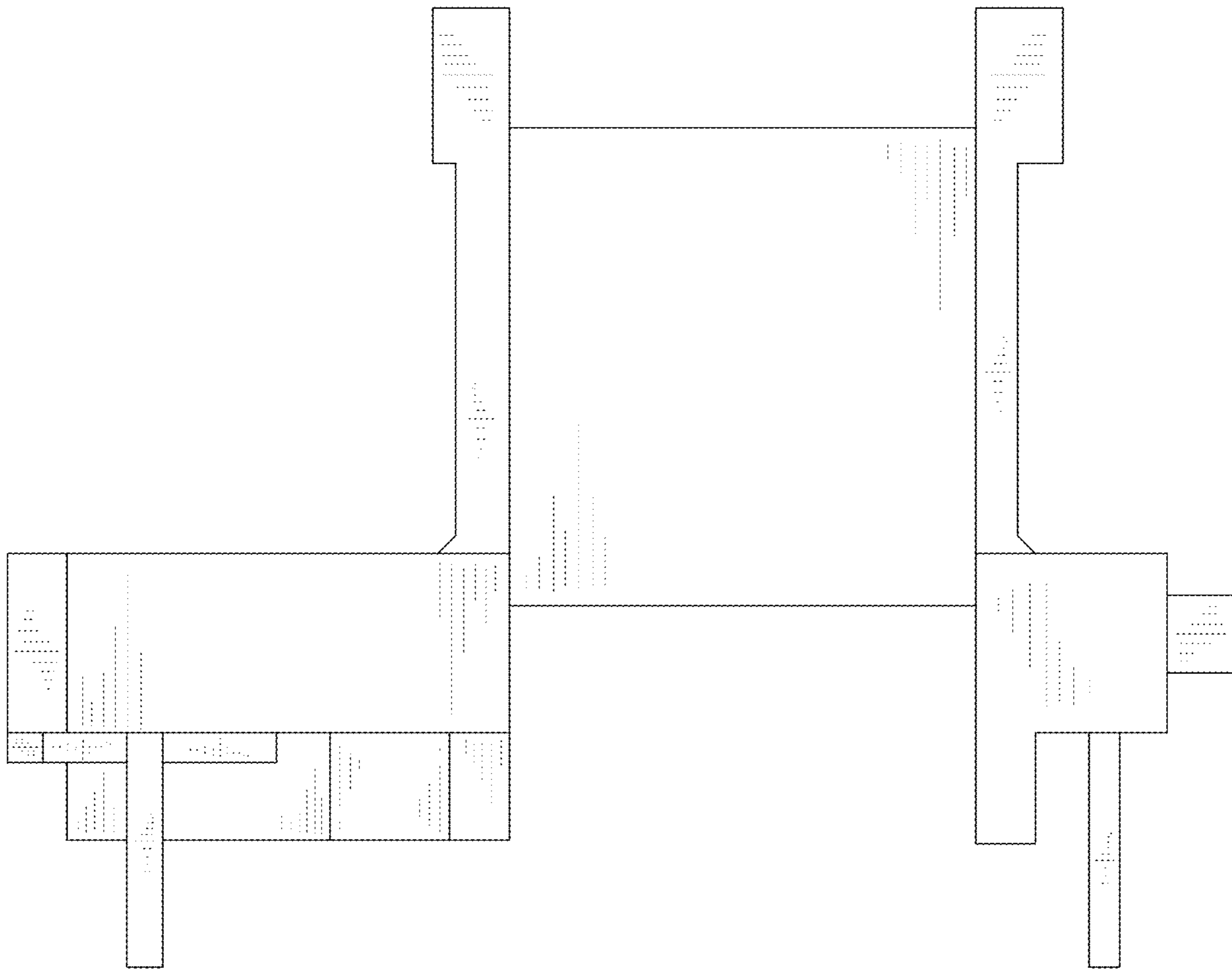


FIG. 4

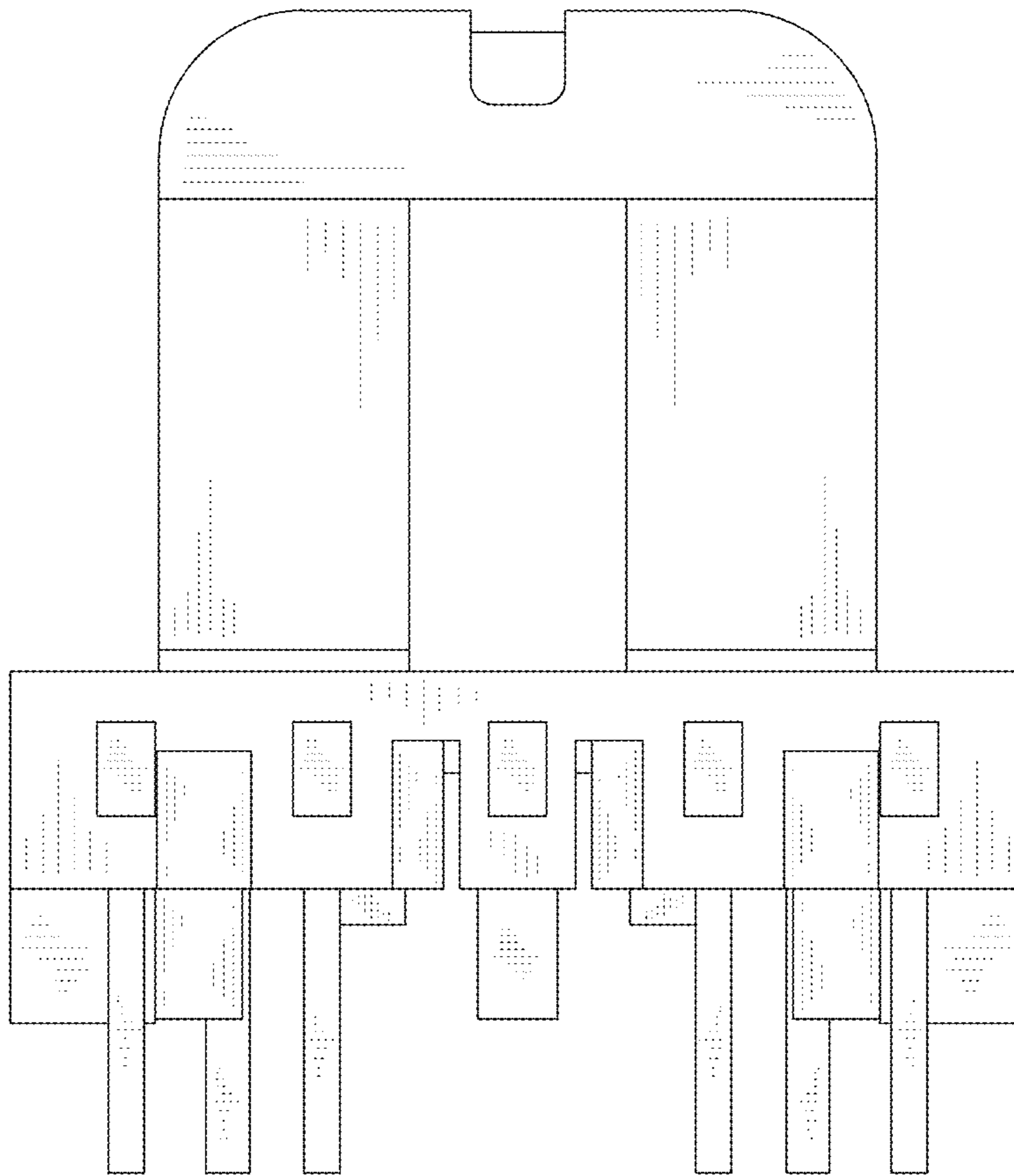


FIG. 5

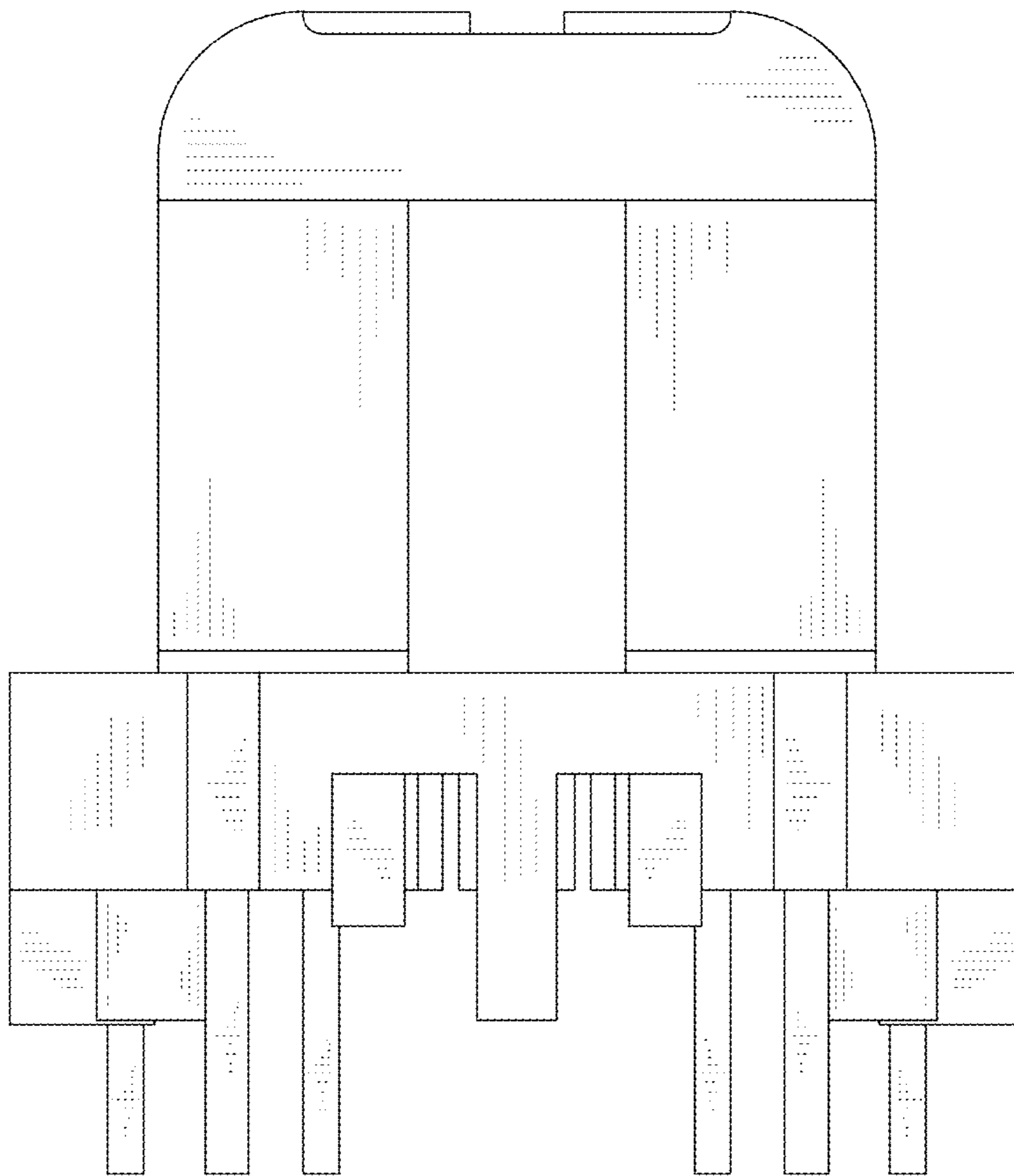


FIG. 6

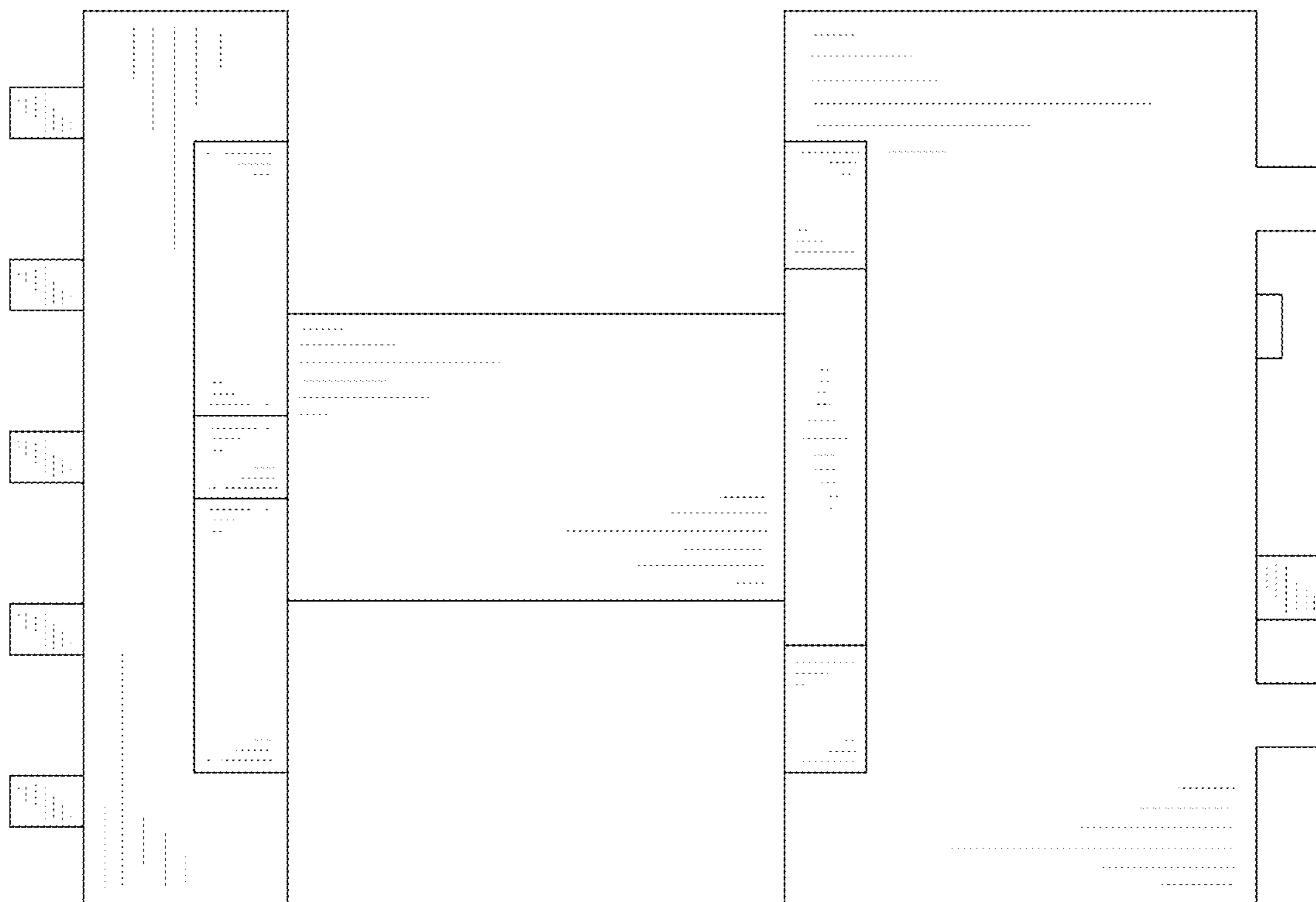


FIG. 7

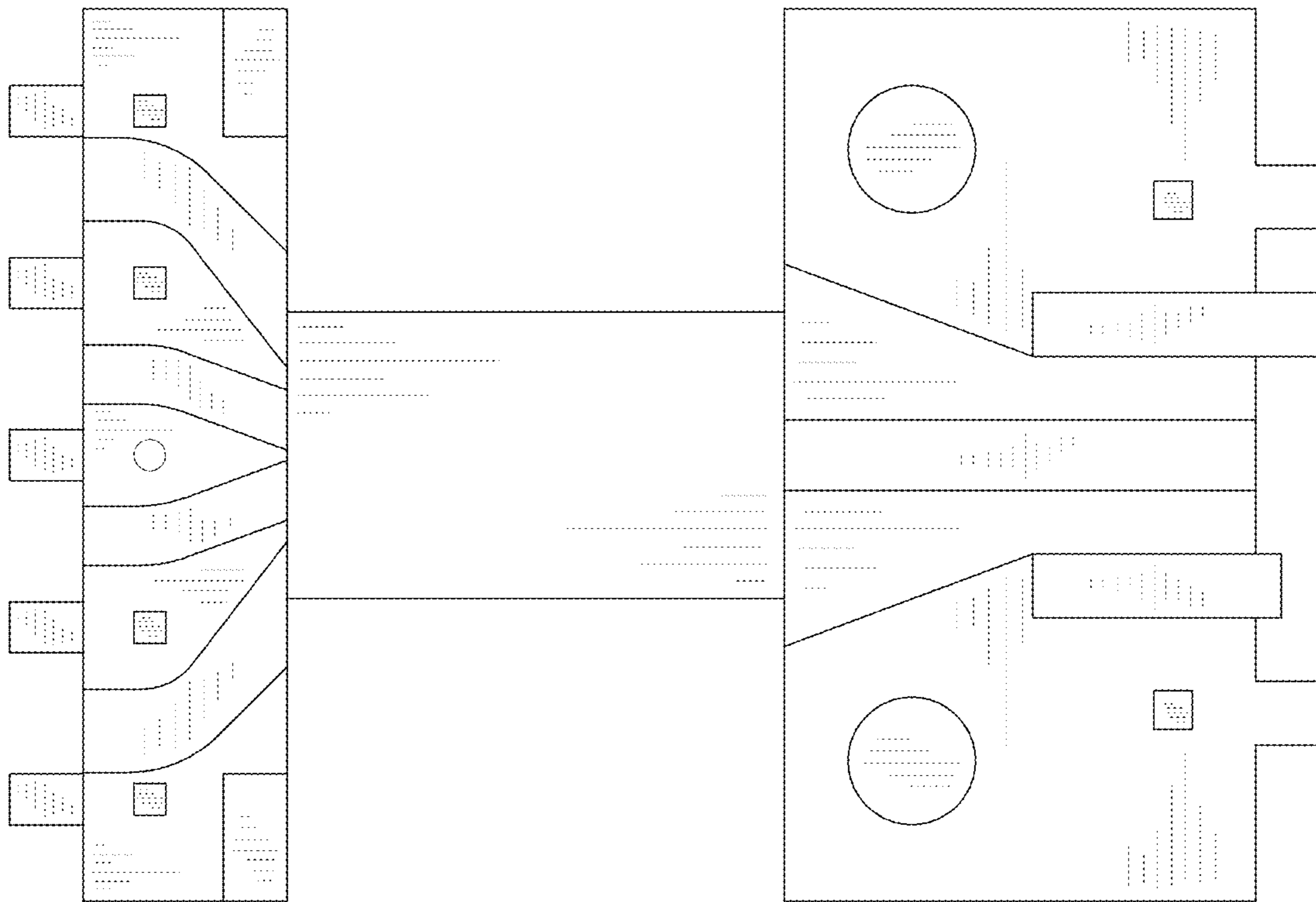


FIG. 8