



US00D911282S

(12) **United States Design Patent**  
**Yan et al.**

(10) **Patent No.:** **US D911,282 S**

(45) **Date of Patent:** **\*\* Feb. 23, 2021**

(54) **INVERTER**

(71) Applicant: **SUNGROW POWER SUPPLY CO., LTD.**, Anhui (CN)

(72) Inventors: **Baofei Yan**, Anhui (CN); **Lei Li**, Anhui (CN); **Rui Wang**, Anhui (CN); **Gaozhou Tao**, Anhui (CN)

(73) Assignee: **SUNGROW POWER SUPPLY CO., LTD.**, Anhui (CN)

(\*\*) Term: **15 Years**

(21) Appl. No.: **29/695,593**

(22) Filed: **Jun. 20, 2019**

(30) **Foreign Application Priority Data**

Dec. 28, 2018 (CN) ..... 201830766090.4

(51) **LOC (13) Cl.** ..... **13-02**

(52) **U.S. Cl.**  
USPC ..... **D13/110**

(58) **Field of Classification Search**  
USPC ..... D13/107, 108, 109, 110, 118, 119, 184;  
D14/251, 253, 432, 434  
CPC ..... Y02E 60/12; Y02T 90/14; Y02T 90/122;  
Y02T 90/128; Y02T 90/163; Y02T  
10/7005; Y02T 10/705; Y02T 10/7088;  
H02J 7/025; H02J 7/0042; H02J 7/0044;  
H02J 7/0054; H02J 7/1423; H02J  
2001/006; H01F 38/14; H01R 13/6675;  
H01M 2/1022; H01M 2/1055; H01M  
10/46; H01M 10/425; B60L 11/182  
See application file for complete search history.

(56) **References Cited**

**U.S. PATENT DOCUMENTS**

D501,648 S \* 2/2005 Fiorentino ..... G06F 1/188  
D13/110  
D510,319 S \* 10/2005 Tuonnola ..... D13/110

D561,095 S \* 2/2008 Sakai ..... D13/110  
D654,024 S \* 2/2012 Choi ..... D13/110  
D684,533 S \* 6/2013 Nakahira ..... D13/110  
D684,534 S \* 6/2013 Nakahira ..... D13/110  
D713,336 S \* 9/2014 Perin ..... D13/110  
D745,847 S \* 12/2015 Ho ..... D13/110  
D755,123 S \* 5/2016 Ho ..... D13/110  
D771,565 S \* 11/2016 Saarivirta ..... D13/110  
D771,566 S \* 11/2016 Saarivirta ..... D13/110  
D772,161 S \* 11/2016 Saarivirta ..... D13/110  
D772,162 S \* 11/2016 Saarivirta ..... D13/110

(Continued)

*Primary Examiner* — Janice Hallmark

*Assistant Examiner* — Suzanne E Tisdell

(74) *Attorney, Agent, or Firm* — Harness, Dickey & Pierce, P.L.C.

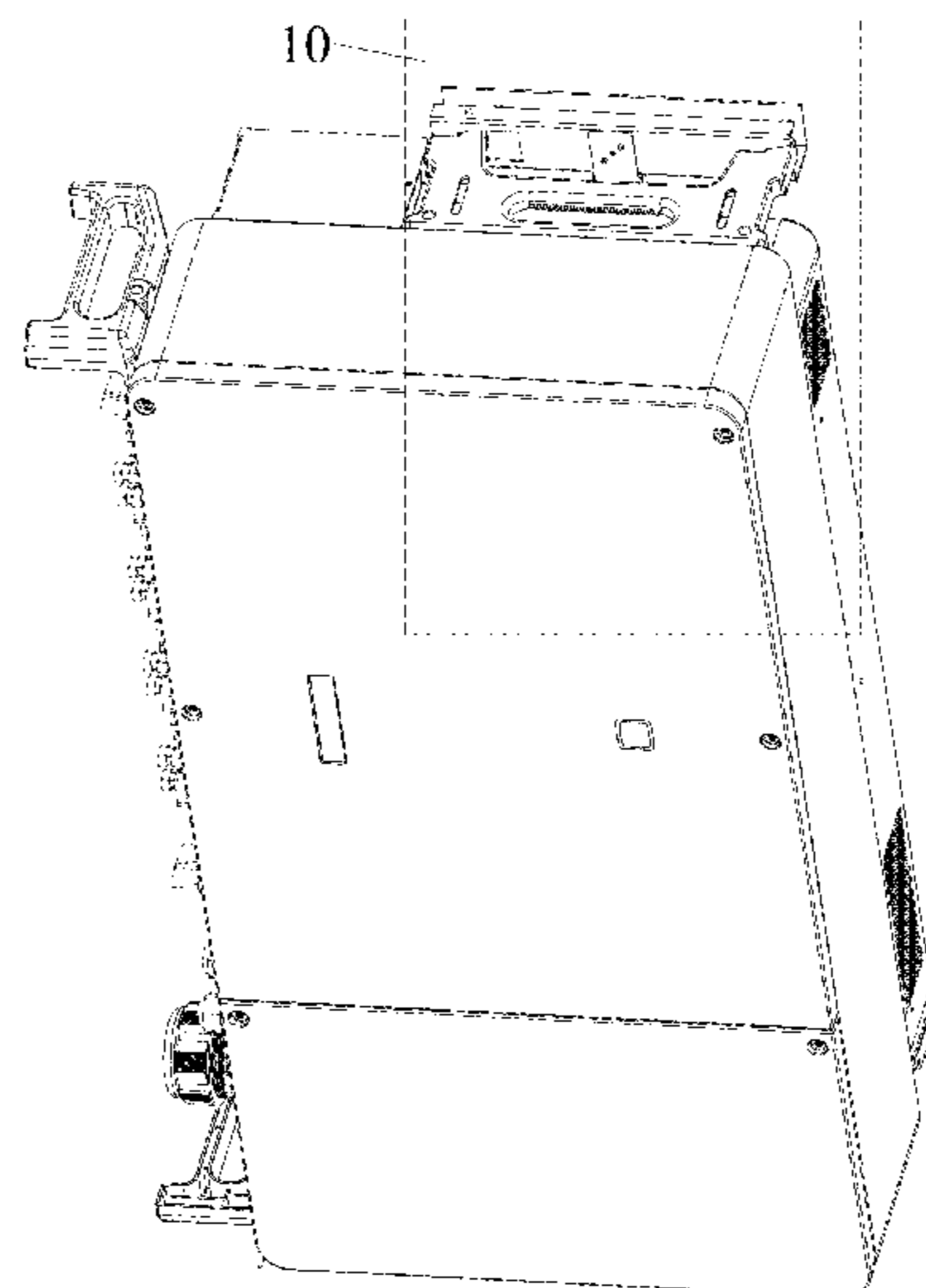
(57) **CLAIM**

The ornamental design for an inverter, as shown and described.

**DESCRIPTION**

FIG. 1 is a front view of an inverter;  
FIG. 2 is a rear view thereof;  
FIG. 3 is a left view thereof;  
FIG. 4 is a right view thereof;  
FIG. 5 is a top view thereof;  
FIG. 6 is a bottom view thereof;  
FIG. 7 is a perspective view thereof;  
FIG. 8 is an enlarged partial view of the area identified as 8 in FIG. 1;  
FIG. 9 is an enlarged partial view of the area identified as 9 in FIG. 2; and,  
FIG. 10 is an enlarged partial view of the area identified as 10 in FIG. 7.  
The broken lines present in the figures, including the wording in FIGS. 1 and 8, are included for the purpose of illustrating portions of the inverter which form no part of the claimed design.

**1 Claim, 10 Drawing Sheets**



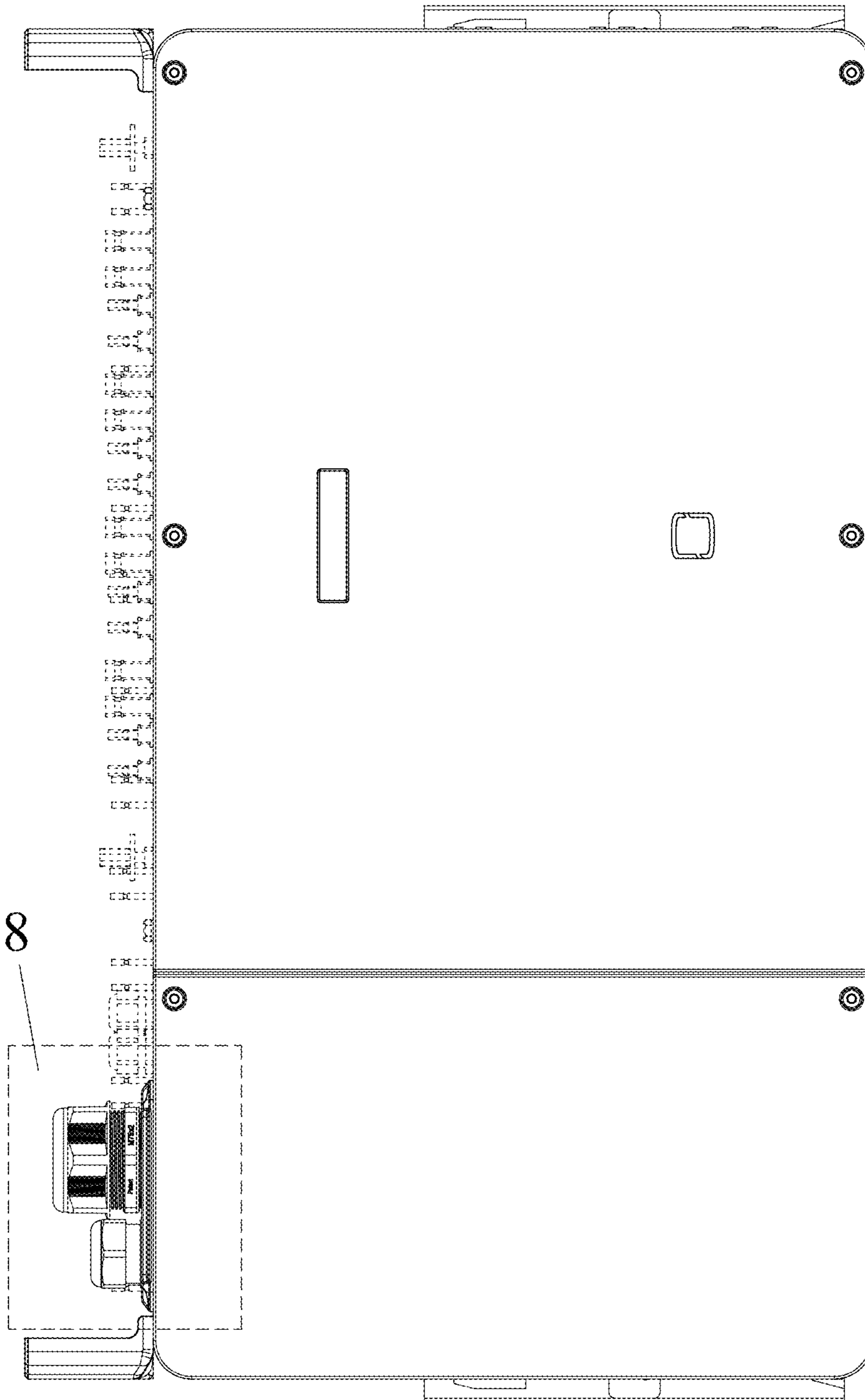
(56)

**References Cited**

U.S. PATENT DOCUMENTS

D796,431 S *	9/2017	Lau .....	D13/107
D815,592 S *	4/2018	Lau .....	D13/107
D828,294 S *	9/2018	Lau .....	D13/107
10,074,844 B2 *	9/2018	Wada .....	B60L 58/21
D840,335 S *	2/2019	Gleave .....	D13/110
D862,386 S *	10/2019	Beer .....	D13/110
D876,349 S *	2/2020	Nagano .....	D13/110

\* cited by examiner



**Fig. 1**

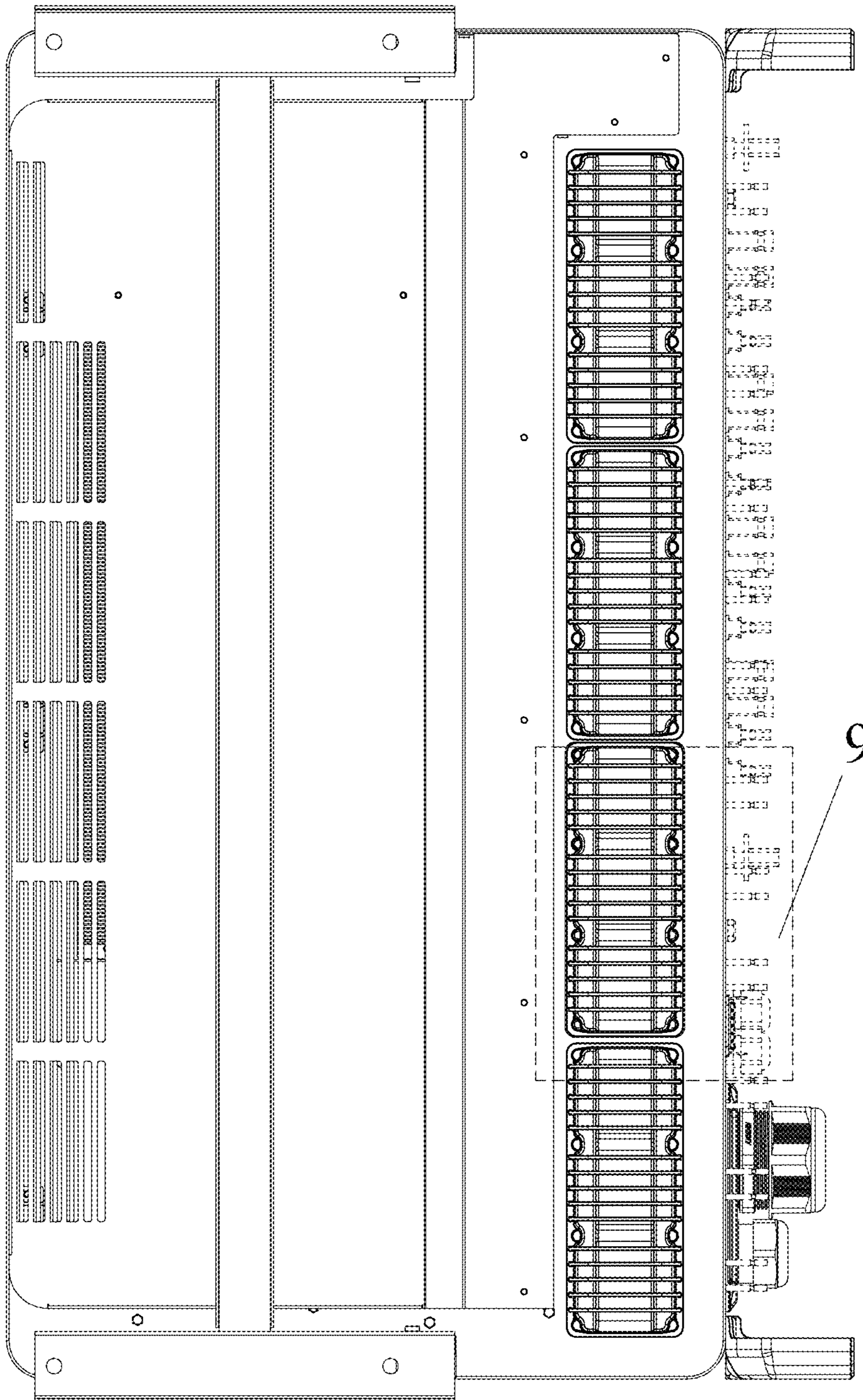
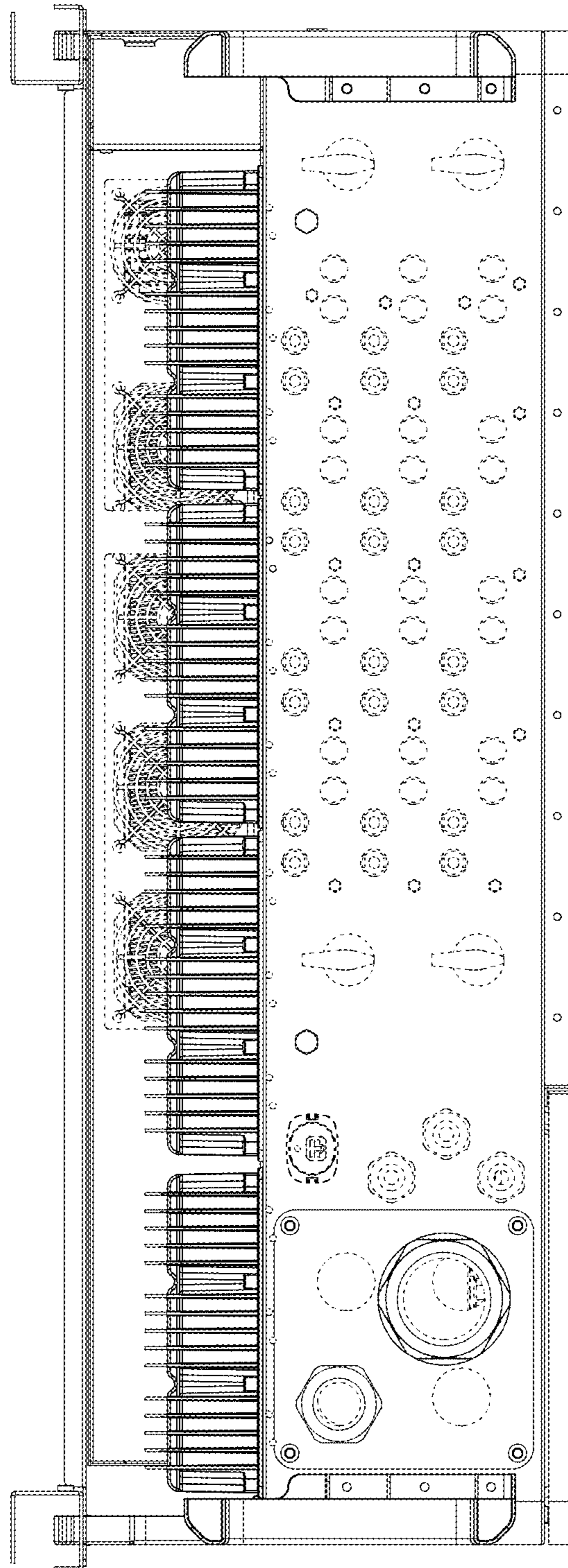
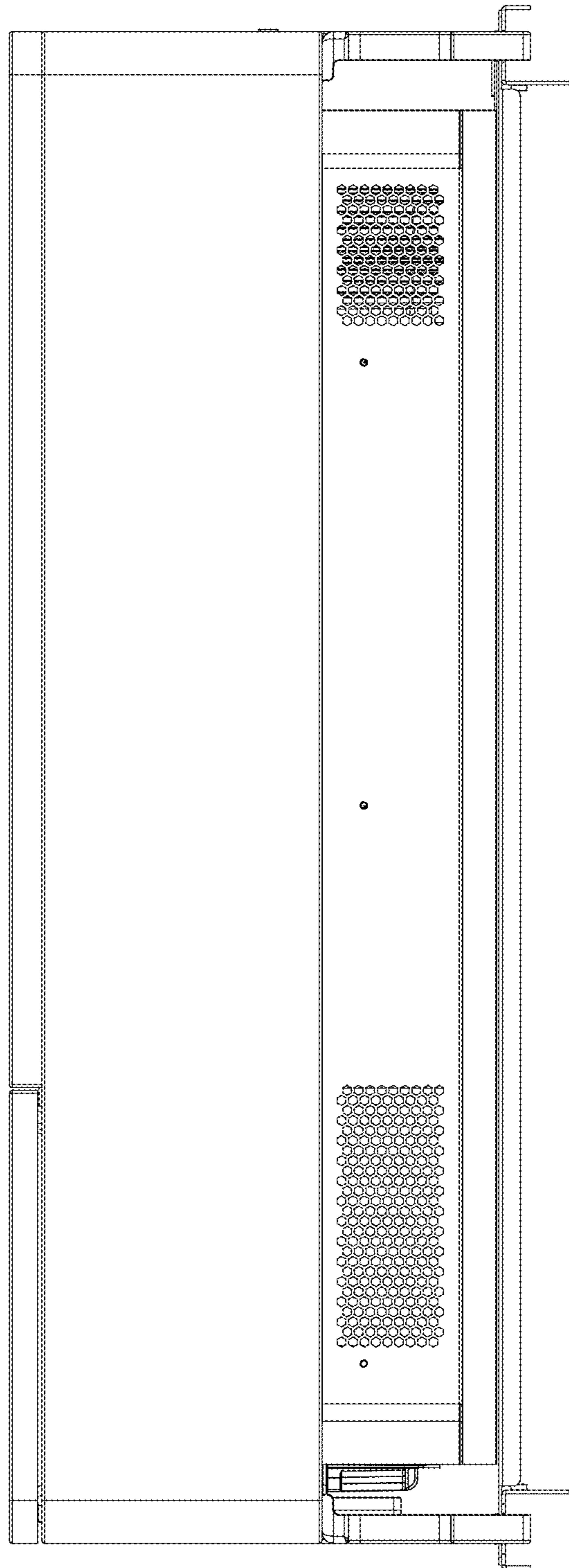


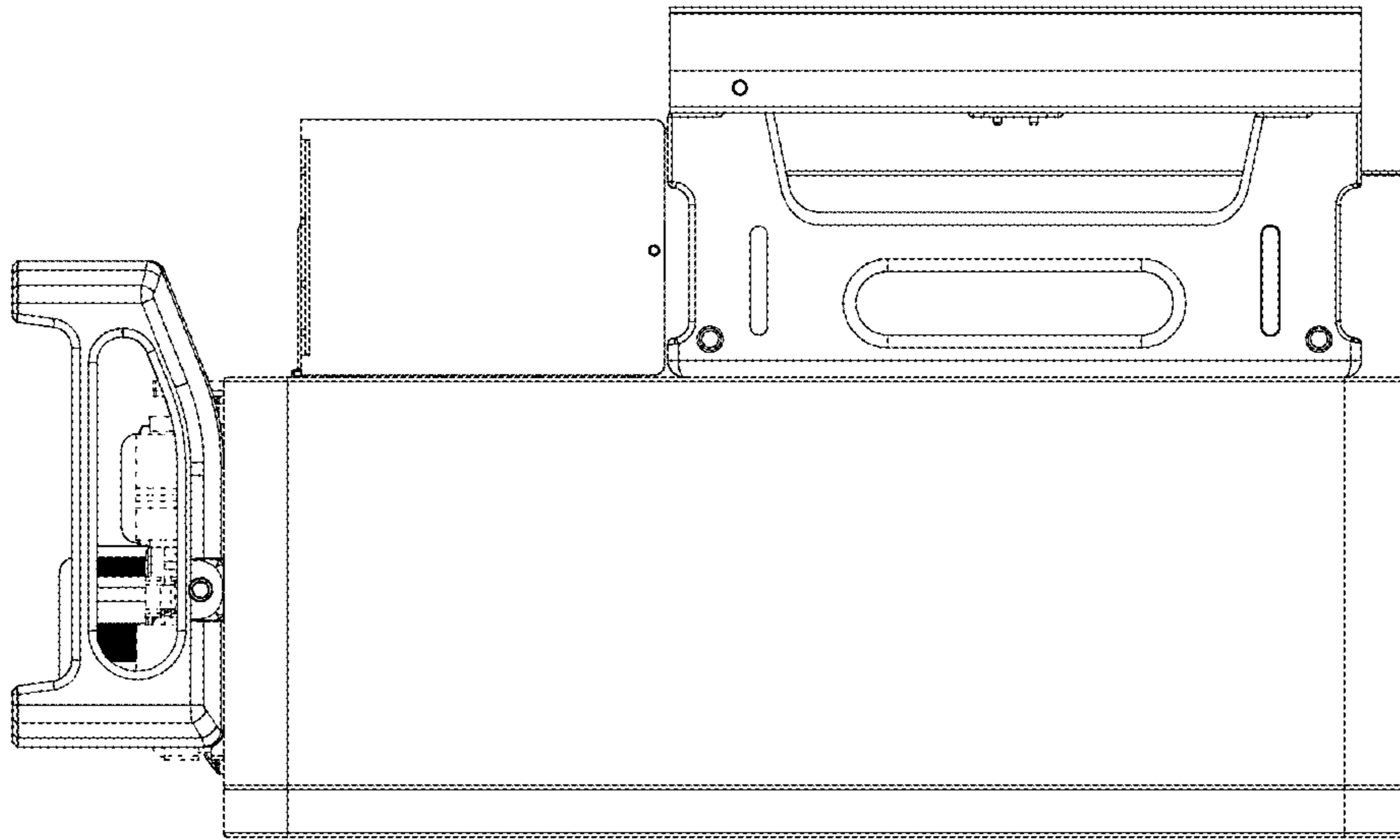
Fig. 2



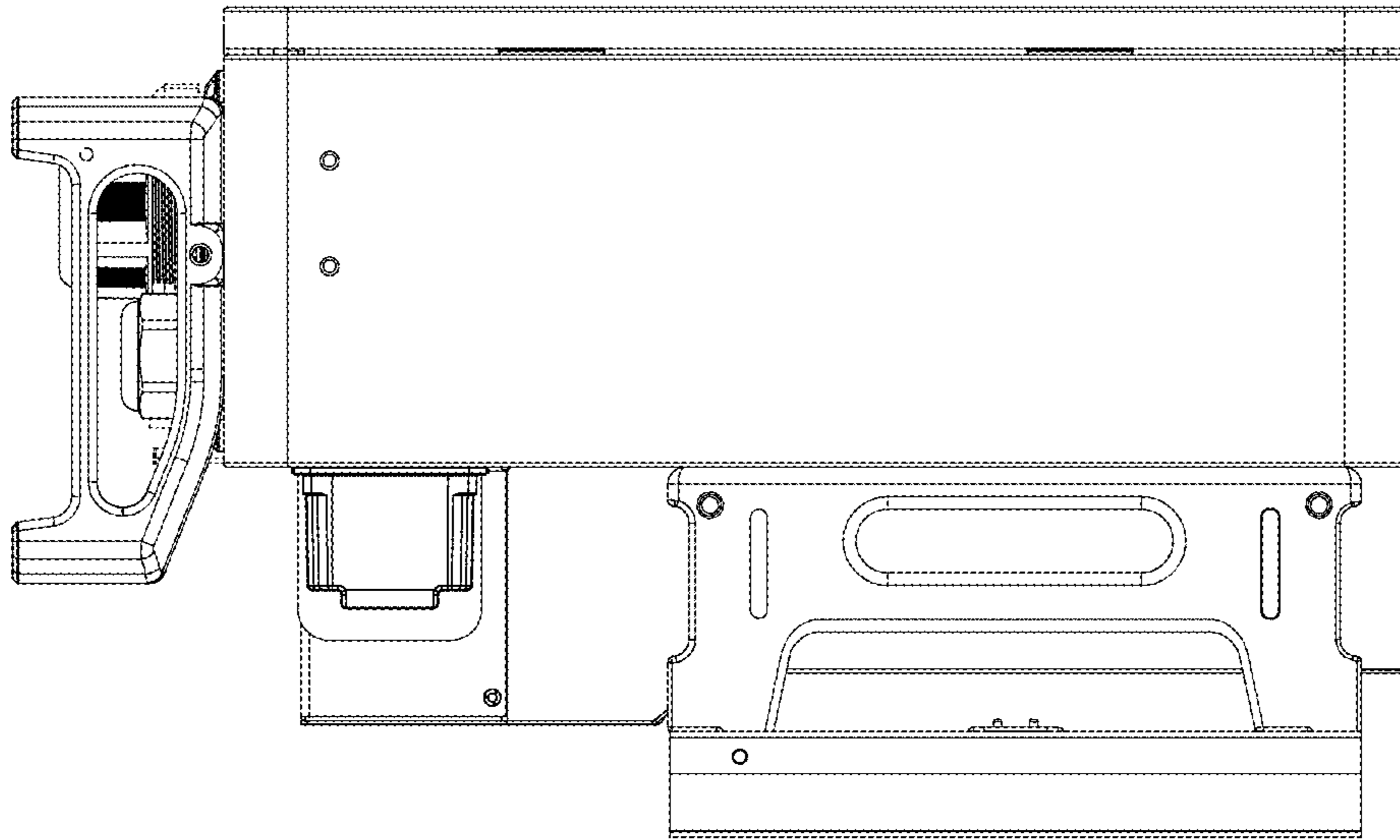
**Fig. 3**



**Fig. 4**

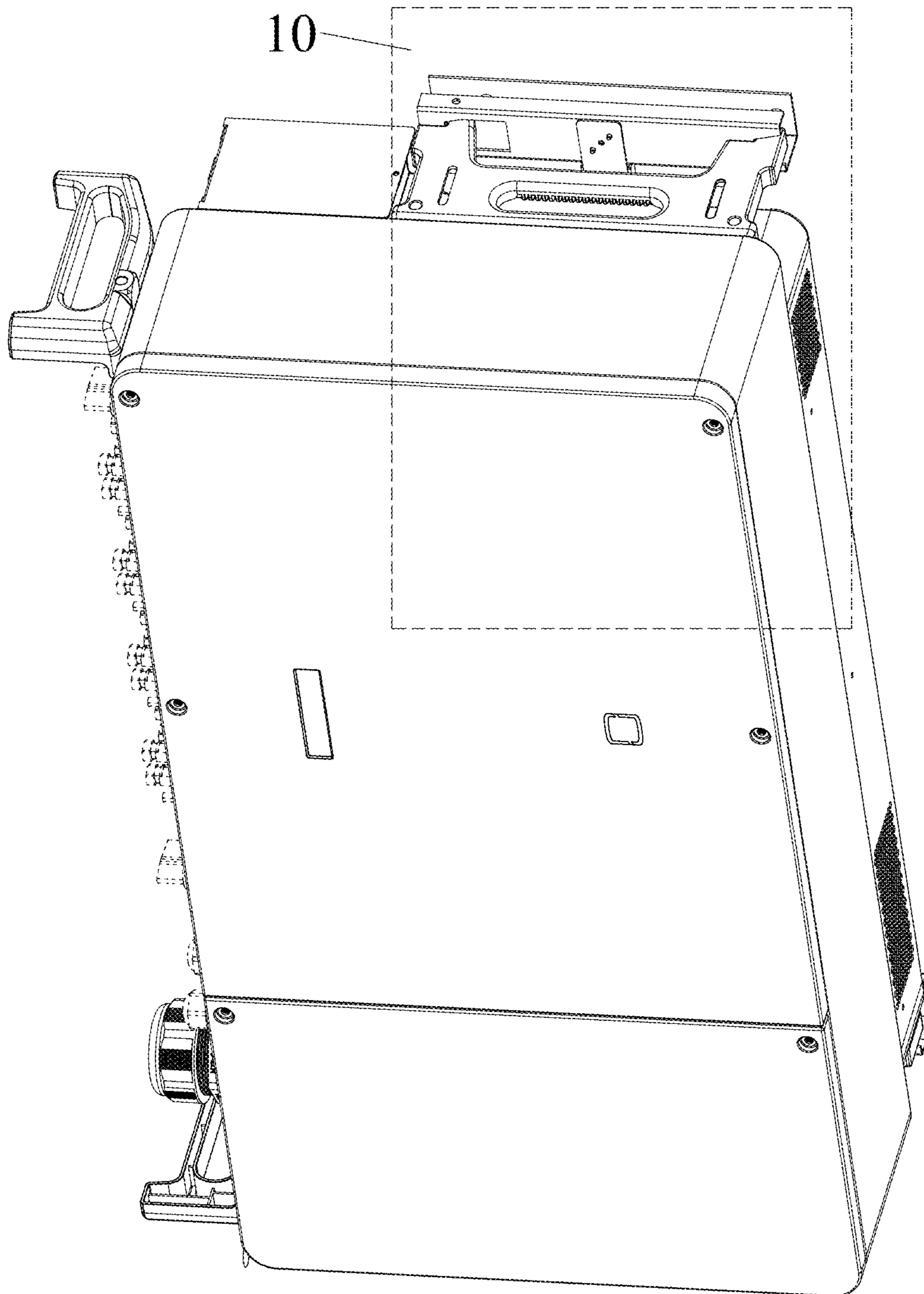


**Fig. 5**

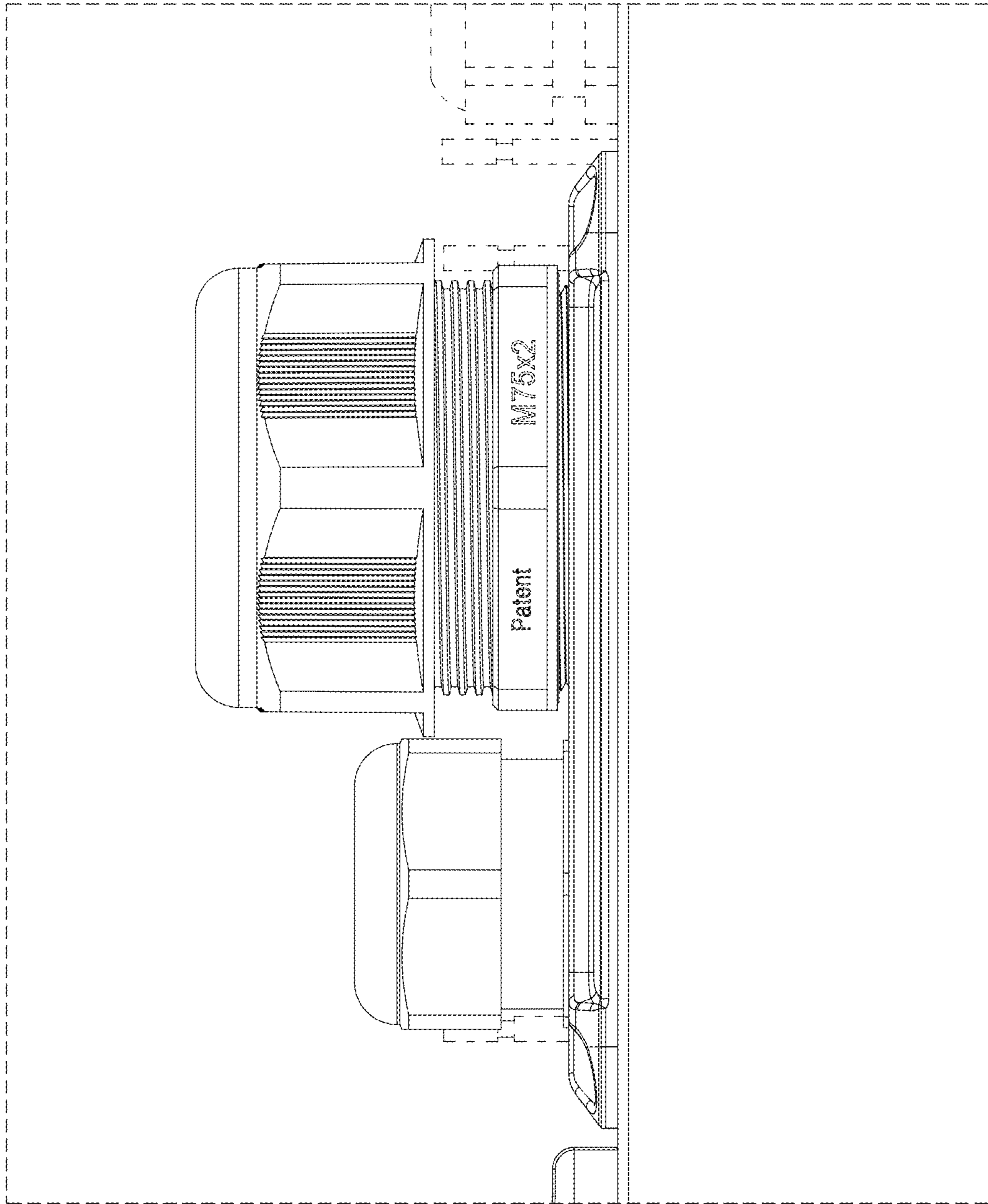


**Fig. 6**





**Fig. 7**



**Fig. 8**

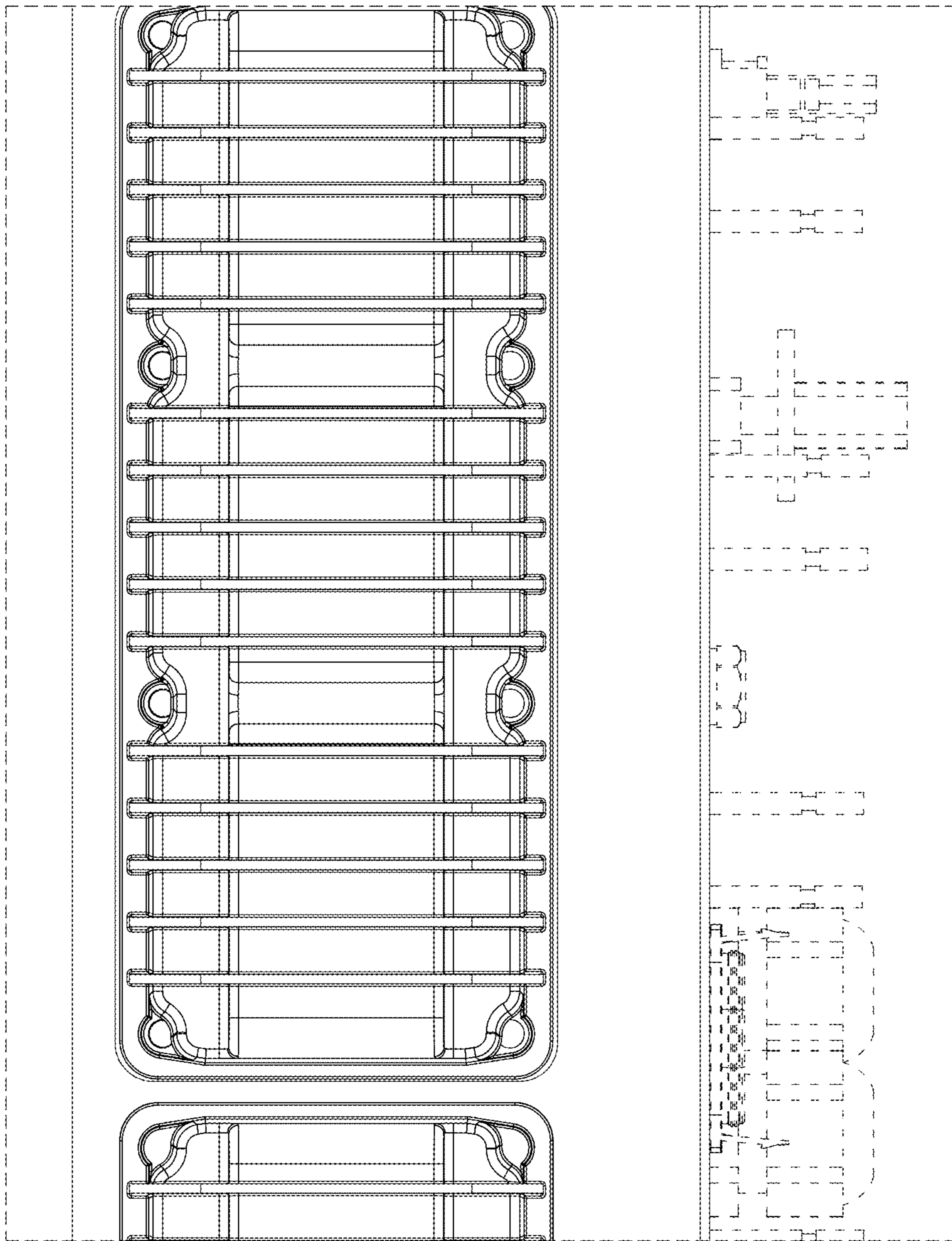
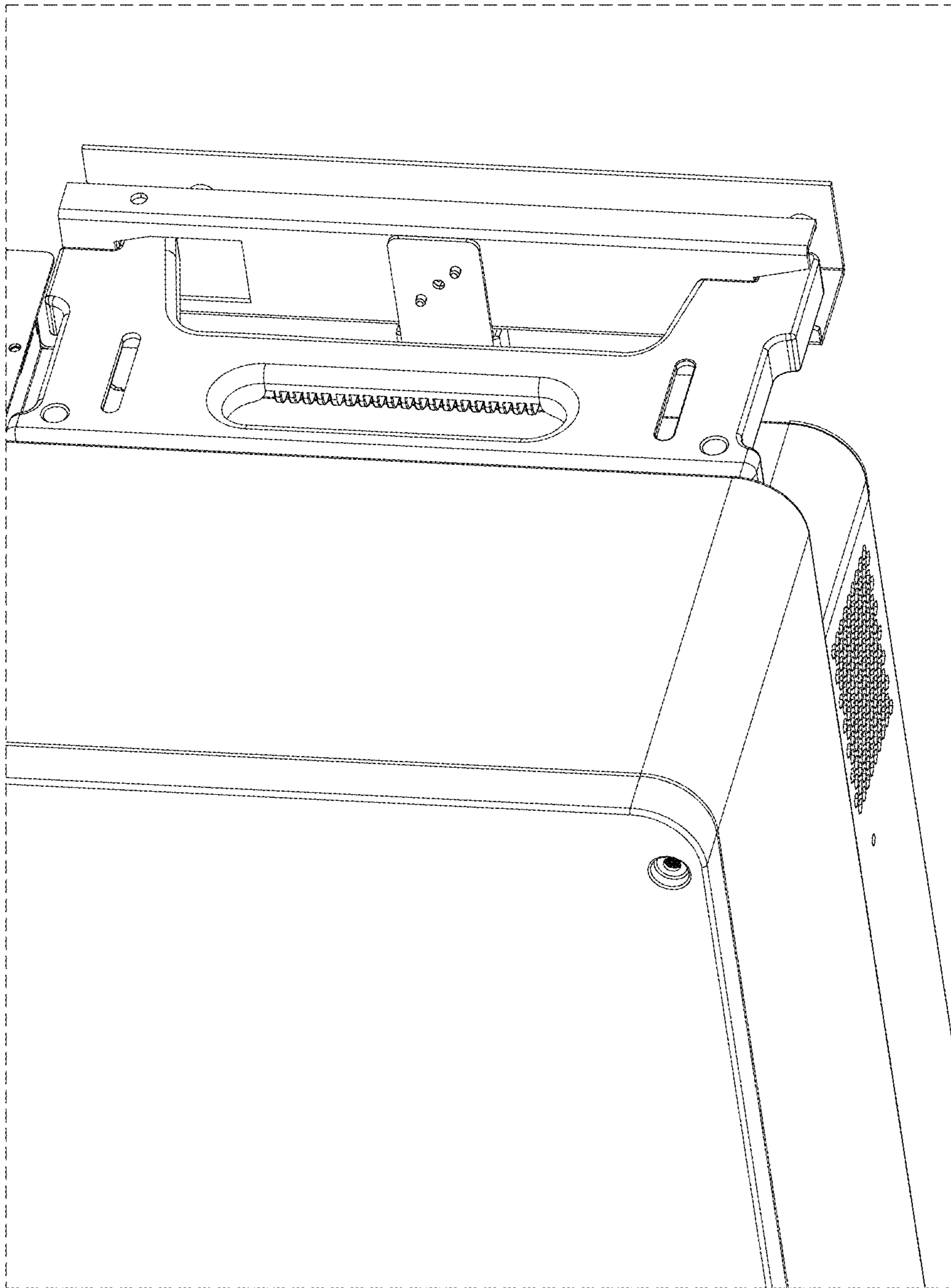


Fig. 9



**Fig. 10**