



US00D911281S

(12) **United States Design Patent**  
**Biggers et al.**

(10) **Patent No.:** **US D911,281 S**

(45) **Date of Patent:** **\*\* Feb. 23, 2021**

(54) **FLANGE-MOUNTED BLIND-MATED LINE REPLACEMENT UNIT FORM FACTOR**

(71) Applicant: **Rockwell Collins, Inc.**, Cedar Rapids, IA (US)

(72) Inventors: **Christopher M. Biggers**, North Liberty, IA (US); **Corey R. Applebee**, Marion, IA (US)

(73) Assignee: **Rockwell Collins, Inc.**, Cedar Rapids, IA (US)

(\*\*) Term: **15 Years**

(21) Appl. No.: **29/670,694**

(22) Filed: **Nov. 19, 2018**

(51) **LOC (13) Cl.** ..... **13-02**

(52) **U.S. Cl.**  
USPC ..... **D13/110**

(58) **Field of Classification Search**  
USPC ..... D13/101, 110, 118, 119, 123, 133, 152, D13/154, 156, 184, 199; D14/308, 309, D14/313  
CPC ..... H02M 1/10; H01M 10/46; H02J 13/0096; H02J 7/00; H02J 7/0042; H02J 7/0047; H02J 9/00; H01R 31/06; H05K 13/0023; H05K 7/026; H05K 7/1425; Y10T 29/49128

See application file for complete search history.

(56) **References Cited**

**U.S. PATENT DOCUMENTS**

D365,327 S \* 12/1995 Reed ..... D13/147  
D540,743 S \* 4/2007 Cerny ..... D13/110

D683,706 S \* 6/2013 Kangas ..... D13/159  
D705,727 S \* 5/2014 Hensel ..... D13/110  
D739,350 S \* 9/2015 Kuwabara ..... D13/118  
9,450,363 B2 \* 9/2016 Ghosh ..... H01R 31/065  
D771,577 S \* 11/2016 Lin ..... D13/177  
2009/0250236 A1 \* 10/2009 Corwin ..... H01R 31/06  
174/59  
2014/0134886 A1 \* 5/2014 Makino ..... H01R 12/724  
439/629  
2015/0062832 A1 \* 3/2015 Ismayilov ..... H05K 13/00  
361/730  
2015/0122349 A1 \* 5/2015 Johnson ..... F16K 27/003  
137/315.11

\* cited by examiner

*Primary Examiner* — Derrick E Holland

(74) *Attorney, Agent, or Firm* — Suiter Swantz pc llo

(57) **CLAIM**

The ornamental design for a flange-mounted blind-mated line replacement unit form factor, as shown and described.

**DESCRIPTION**

FIG. 1 is a back perspective view of a flange-mounted blind-mated line replacement unit form factor showing our new design;

FIG. 2 is a top plan view thereof;

FIG. 3 is a front elevational view thereof;

FIG. 4 is a right side elevational view thereof;

FIG. 5 is a bottom plan view thereof;

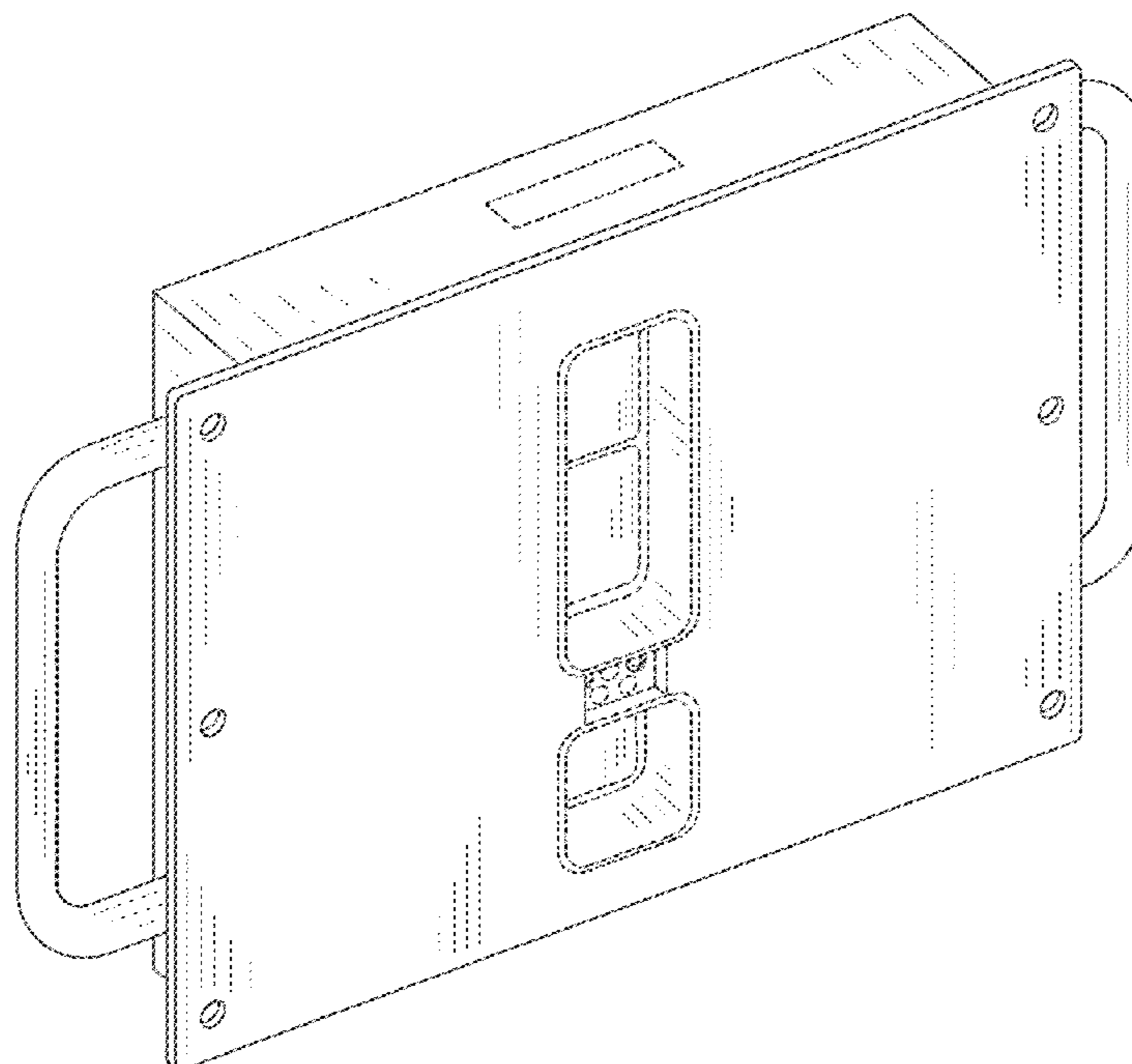
FIG. 6 is a left side elevational view thereof;

FIG. 7 is a rear elevational view thereof; and,

FIG. 8 is a front perspective view thereof.

The broken lines shown depict the portions of the flange-mounted blind-mated line replacement unit form factor that form no part of the claimed design.

**1 Claim, 4 Drawing Sheets**



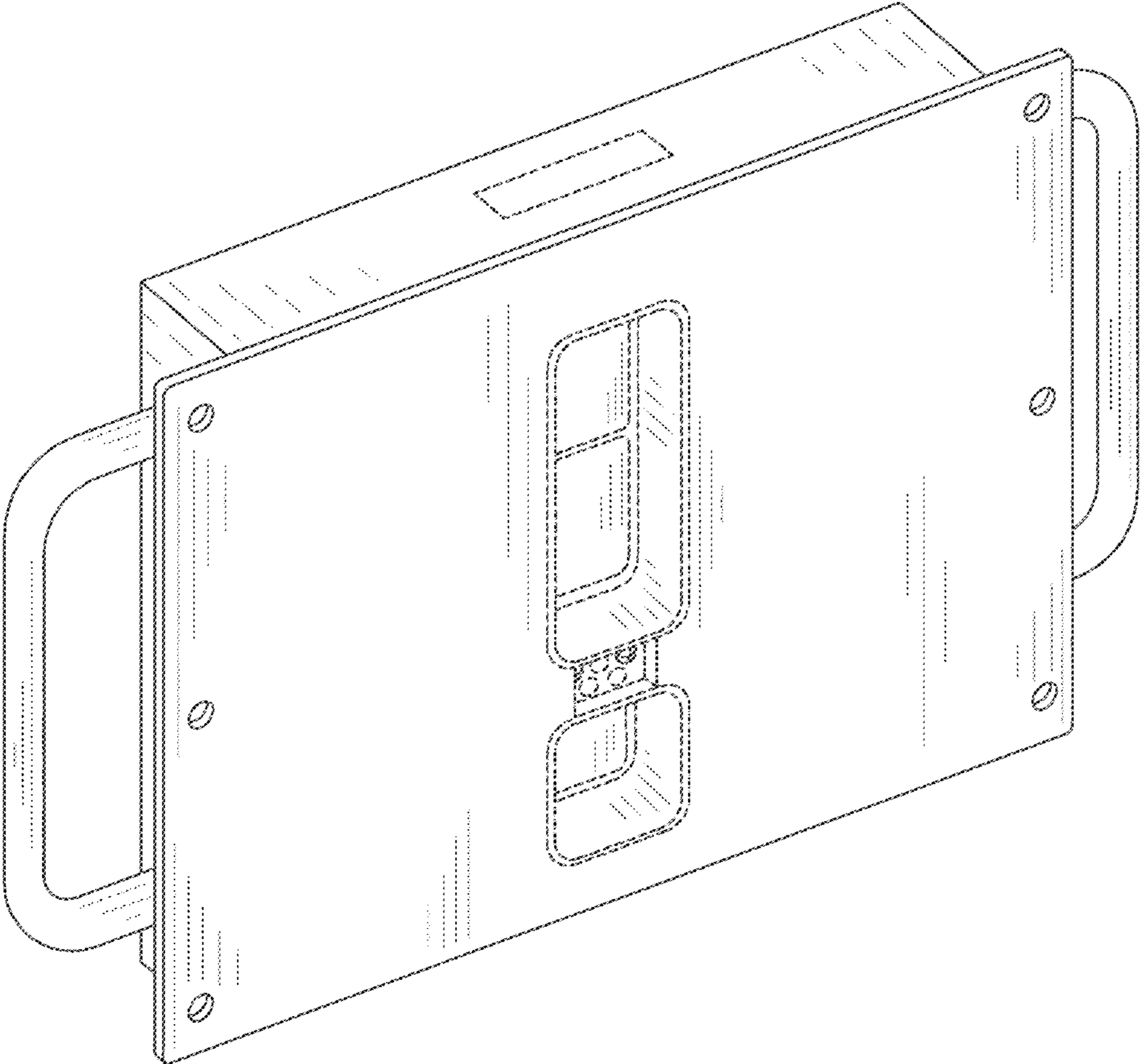


FIG. 1

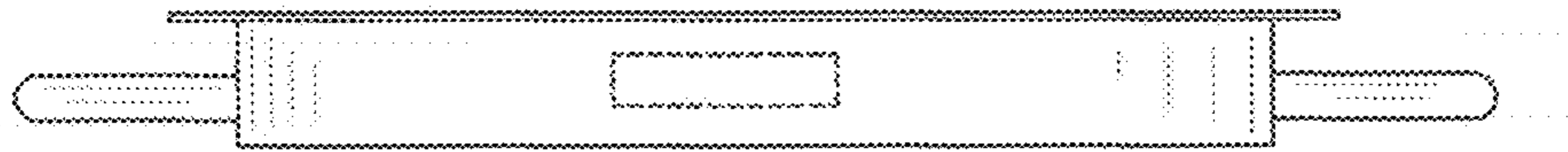


FIG. 2

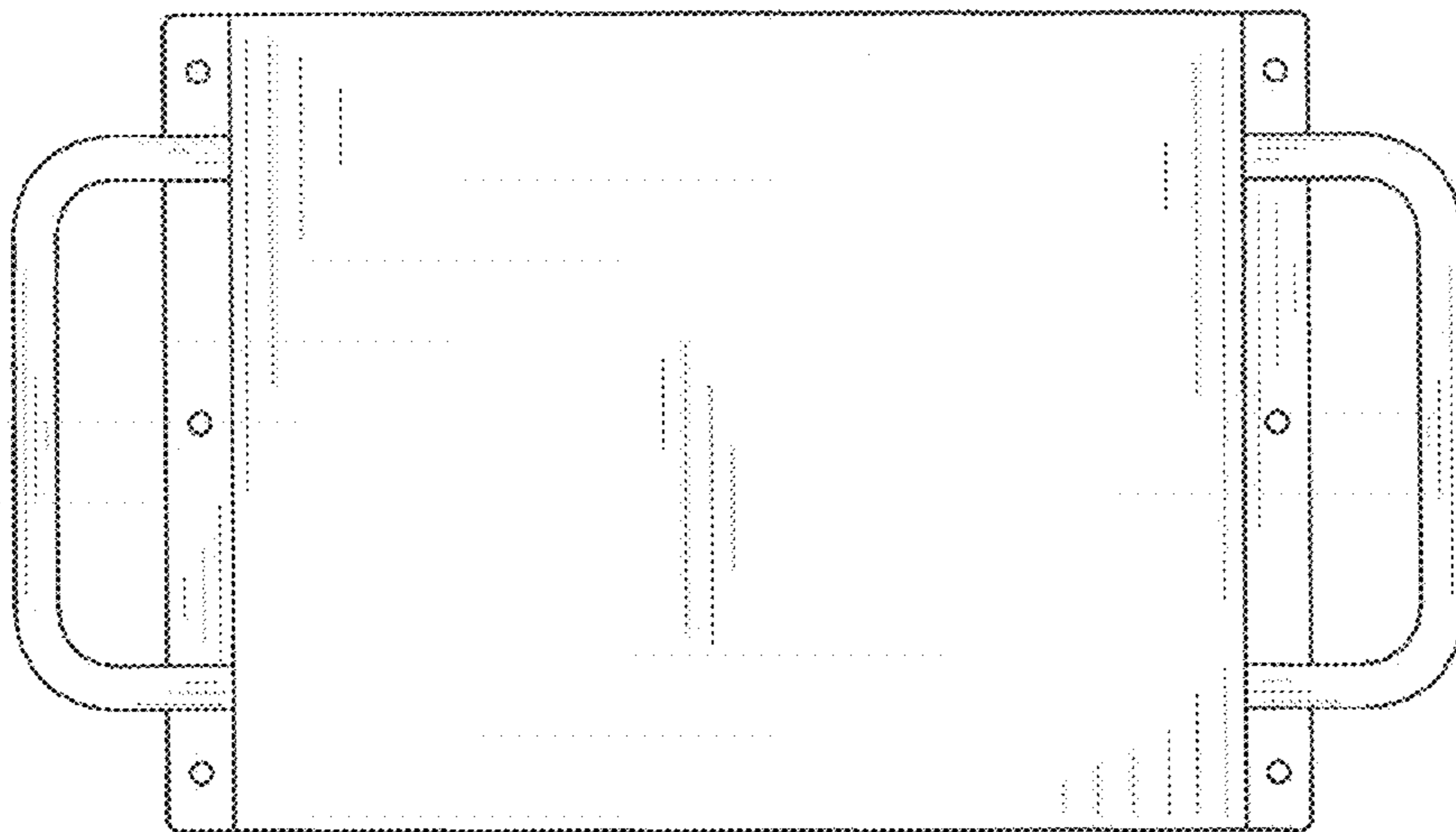


FIG. 3



FIG. 4

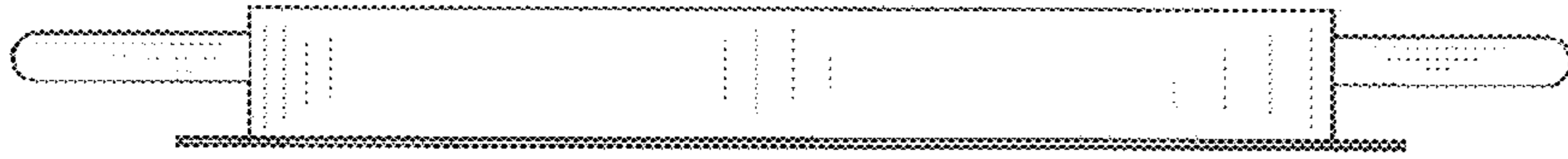


FIG. 5

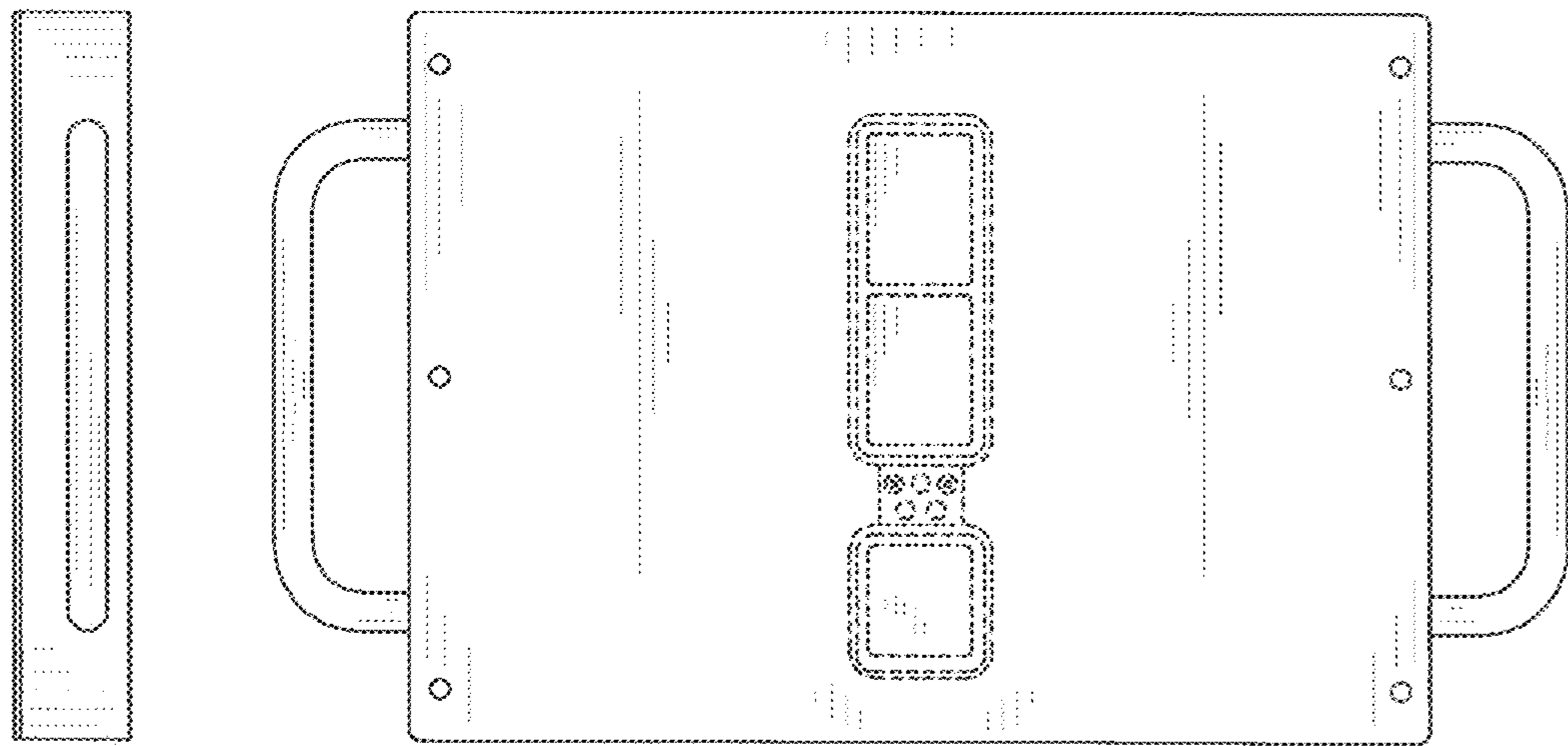


FIG. 6

FIG. 7



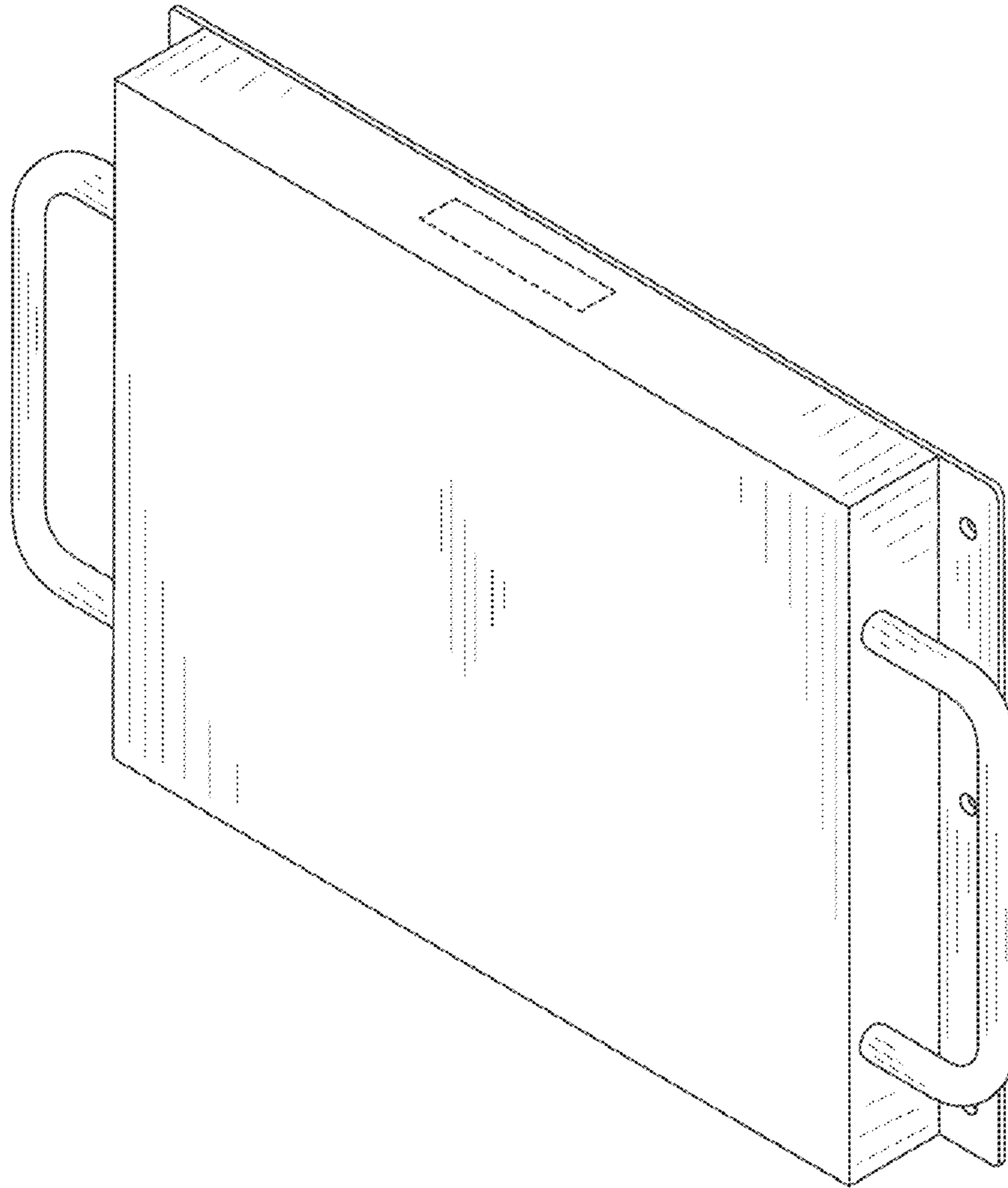


FIG. 8