



US00D911280S

(12) **United States Design Patent**  
**Vinciarelli et al.**

(10) **Patent No.:** **US D911,280 S**

(45) **Date of Patent:** **\*\* Feb. 23, 2021**

(54) **POWER CONVERTER**

(71) Applicant: **Vicor Corporation**, Andover, MA (US)

(72) Inventors: **Patrizio Vinciarelli**, Boston, MA (US);  
**Michael B. LaFleur**, East Hampstead,  
NH (US)

(73) Assignee: **Vicor Corporation**, Andover, MA (US)

(\*\*) Term: **15 Years**

(21) Appl. No.: **29/669,388**

(22) Filed: **Nov. 7, 2018**

**Related U.S. Application Data**

(62) Division of application No. 29/543,439, filed on Oct.  
23, 2015, now Pat. No. Des. 837,734.

(51) **LOC (13) Cl.** ..... **13-02**

(52) **U.S. Cl.**

USPC ..... **D13/110**

(58) **Field of Classification Search**

USPC ..... D13/110, 108, 118, 123, 162, 168, 169,  
D13/174, 177, 184, 199; D14/257, 432,  
D14/438; 174/16.3, 17 R, 17.08;  
361/600, 601, 690, 694, 695, 679.01,  
361/679.61, 704, 730; 363/141, 142

CPC ..... H05K 5/00; H05K 5/02; H05K 5/0247;  
H05K 7/00; H05K 7/20; H05K 7/20136;  
H05K 7/20154; H05K 7/209; H02M 7/00;  
H02M 7/003; H02M 2001/009; H02J  
7/0042; Y10T 307/367

See application file for complete search history.

(56) **References Cited**

**U.S. PATENT DOCUMENTS**

4,455,545 A \* 6/1984 Shelly ..... H01F 5/003  
336/178  
4,656,450 A \* 4/1987 Jarosz ..... H01F 27/02  
336/192

D297,928 S \* 10/1988 Harpley ..... D13/110  
5,119,266 A \* 6/1992 Petry ..... H05K 9/0066  
361/111

D344,928 S \* 3/1994 Vinciarelli ..... D13/110

D363,056 S 10/1995 Vinciarelli et al.

D371,110 S 6/1996 Harris et al.

(Continued)

*Primary Examiner* — Derrick E Holland

(74) *Attorney, Agent, or Firm* — Foley & Lardner LLP

(57) **CLAIM**

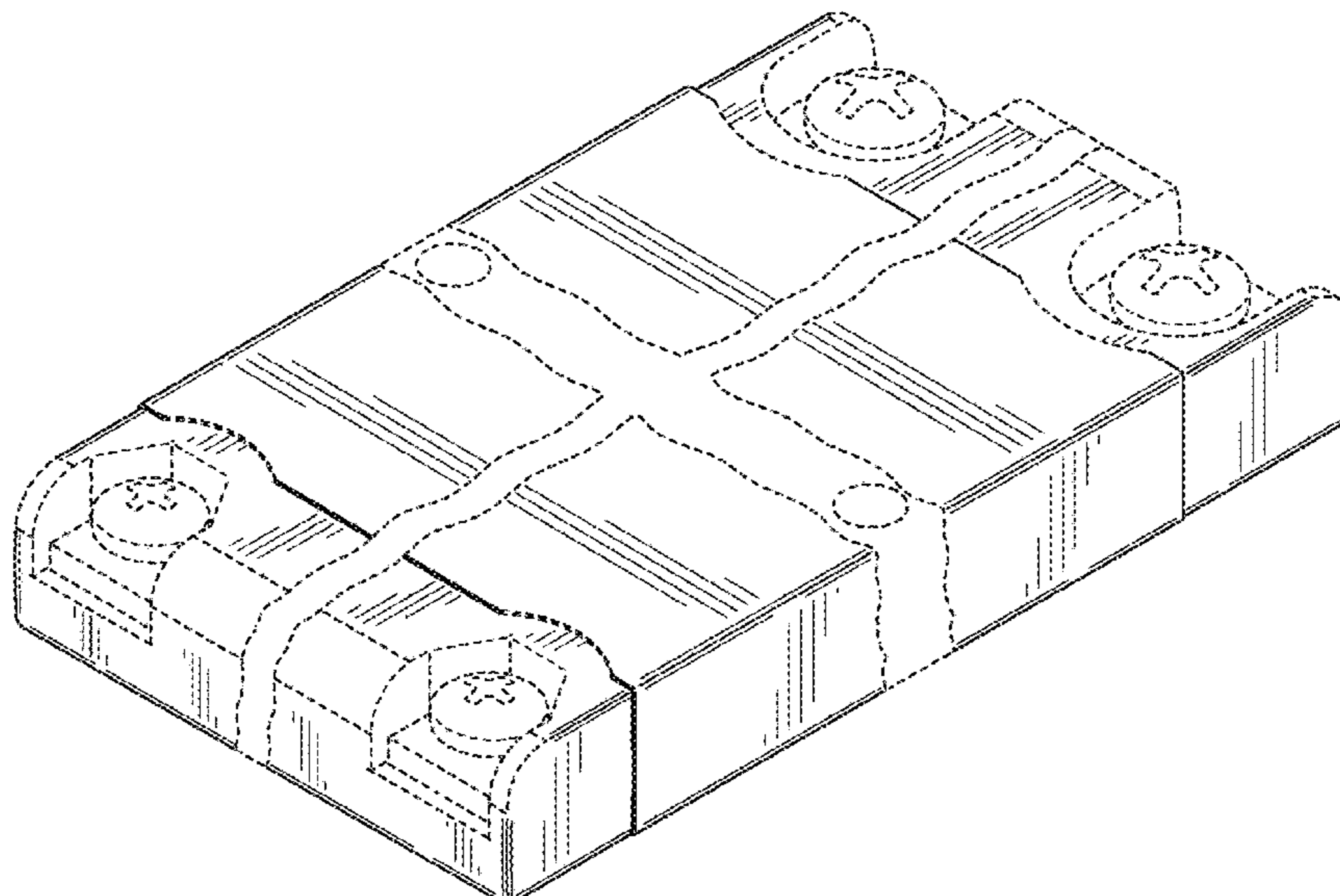
We claim the ornamental design for a power converter design, as shown and described.

**DESCRIPTION**

FIG. 1 is a top, front, right perspective view of a first embodiment of a power converter showing our new design. FIG. 2 is a top view of the claimed design of FIG. 1. FIG. 3 is a bottom view of the claimed design of FIG. 1. FIG. 4 is a left side view of the claimed design of FIG. 1. FIG. 5 is a front view of the claimed design of FIG. 1. FIG. 6 is a back view of the claimed design of FIG. 1. FIG. 7 is a top, back, left perspective view of a second embodiment of a power converter showing our new design. FIG. 8 is a top view of the claimed design of FIG. 7. FIG. 9 is a bottom view of the claimed design of FIG. 7. FIG. 10 is a left side view of the claimed design of FIG. 7. FIG. 11 is a front view of the claimed design of FIG. 7; and, FIG. 12 is a back view of the claimed design of FIG. 7.

The broken lines in the figures illustrate the portions of the power converter that form no part of the claimed design. The power converters shown with symbolic breaks. The appearance of any portion of the article between the break lines forms no part of the claimed design.

**1 Claim, 8 Drawing Sheets**



(56)

**References Cited**

U.S. PATENT DOCUMENTS

D466,076 S	11/2002	Nagashima et al.	
D469,059 S	1/2003	Ando et al.	
D506,438 S	6/2005	Vinciarelli et al.	
D509,472 S	9/2005	Vinciarelli et al.	
D520,947 S	5/2006	Vinciarelli et al.	
D582,846 S	12/2008	Lett	
D826,154 S *	8/2018	Ceravalo .....	D13/110

\* cited by examiner

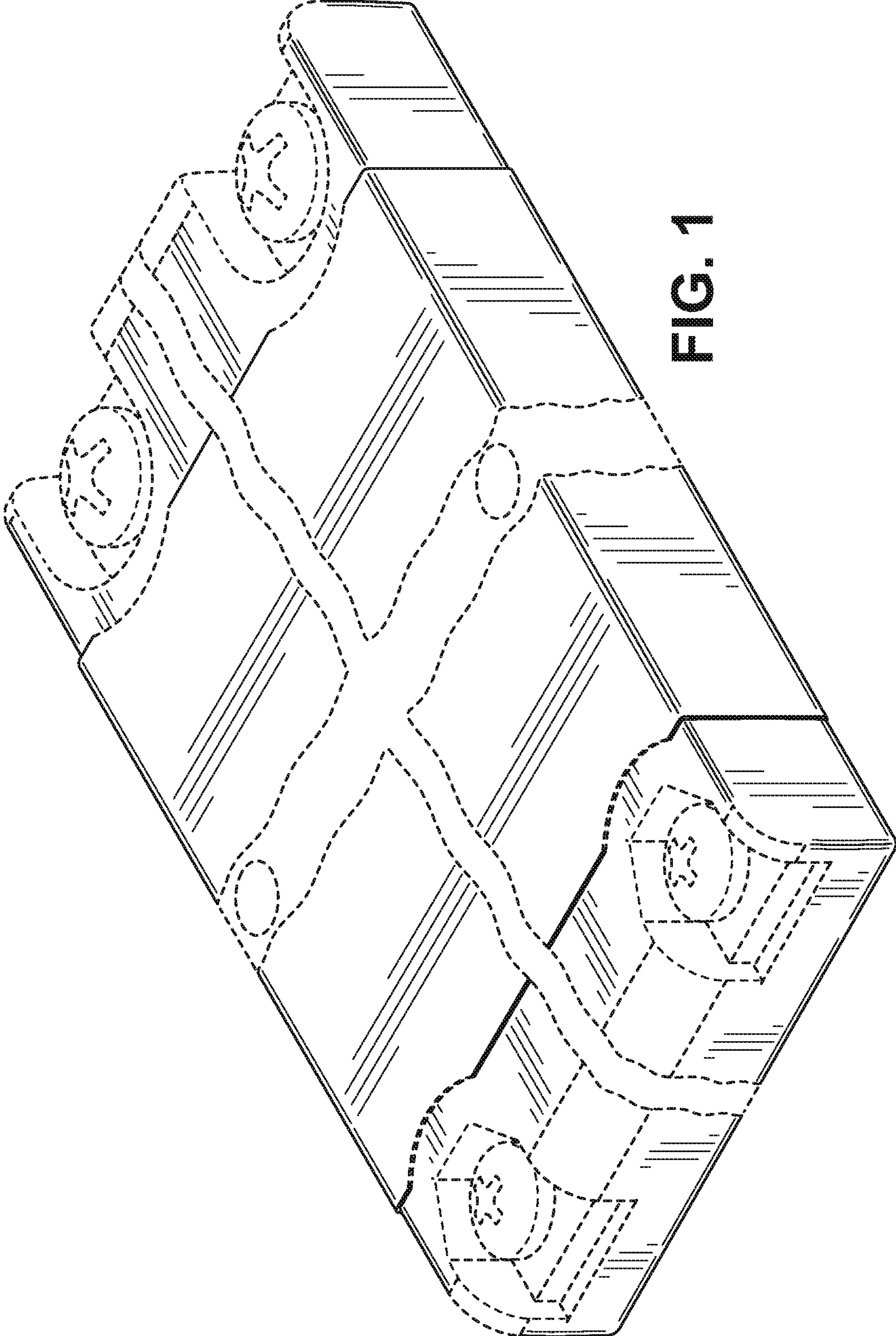
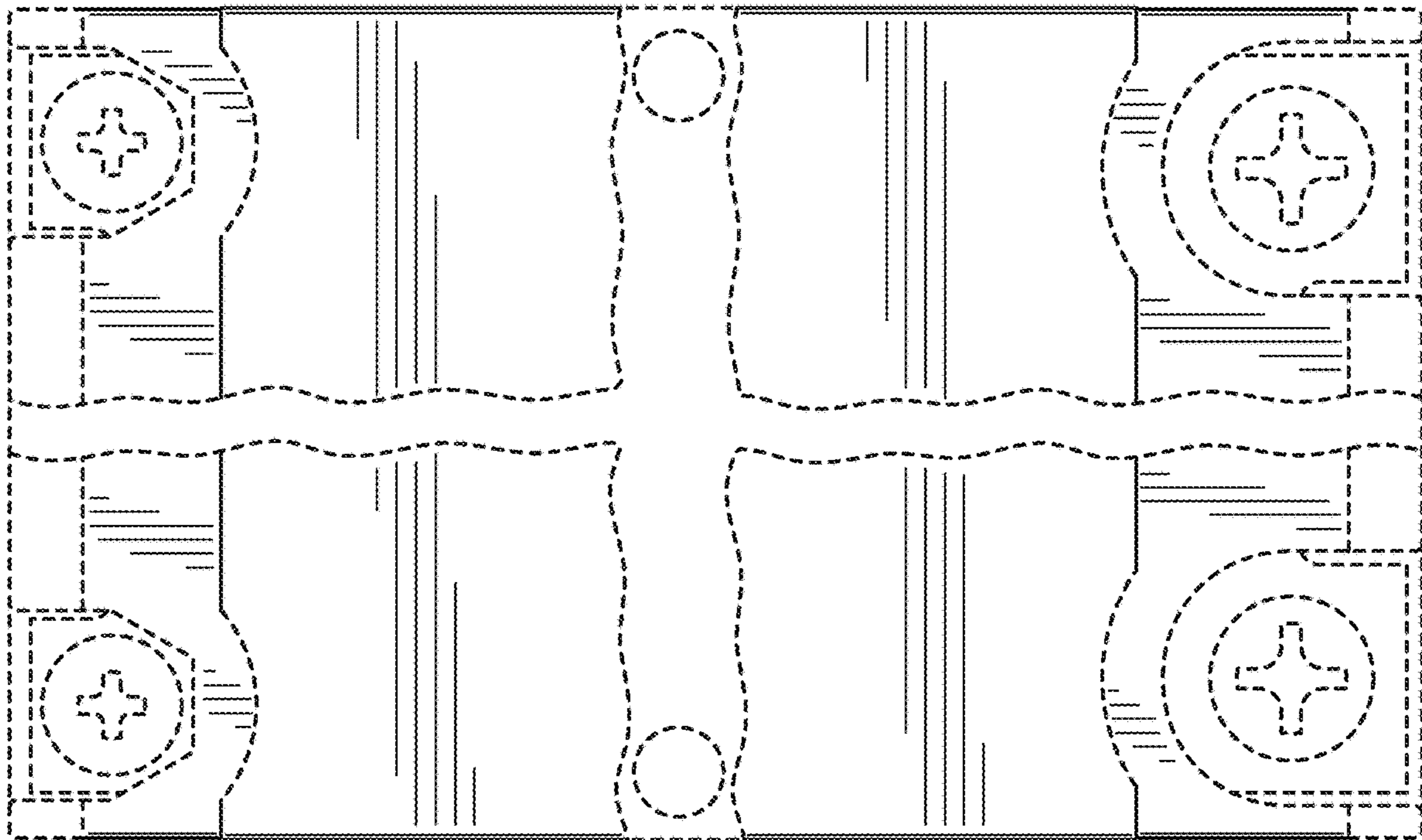
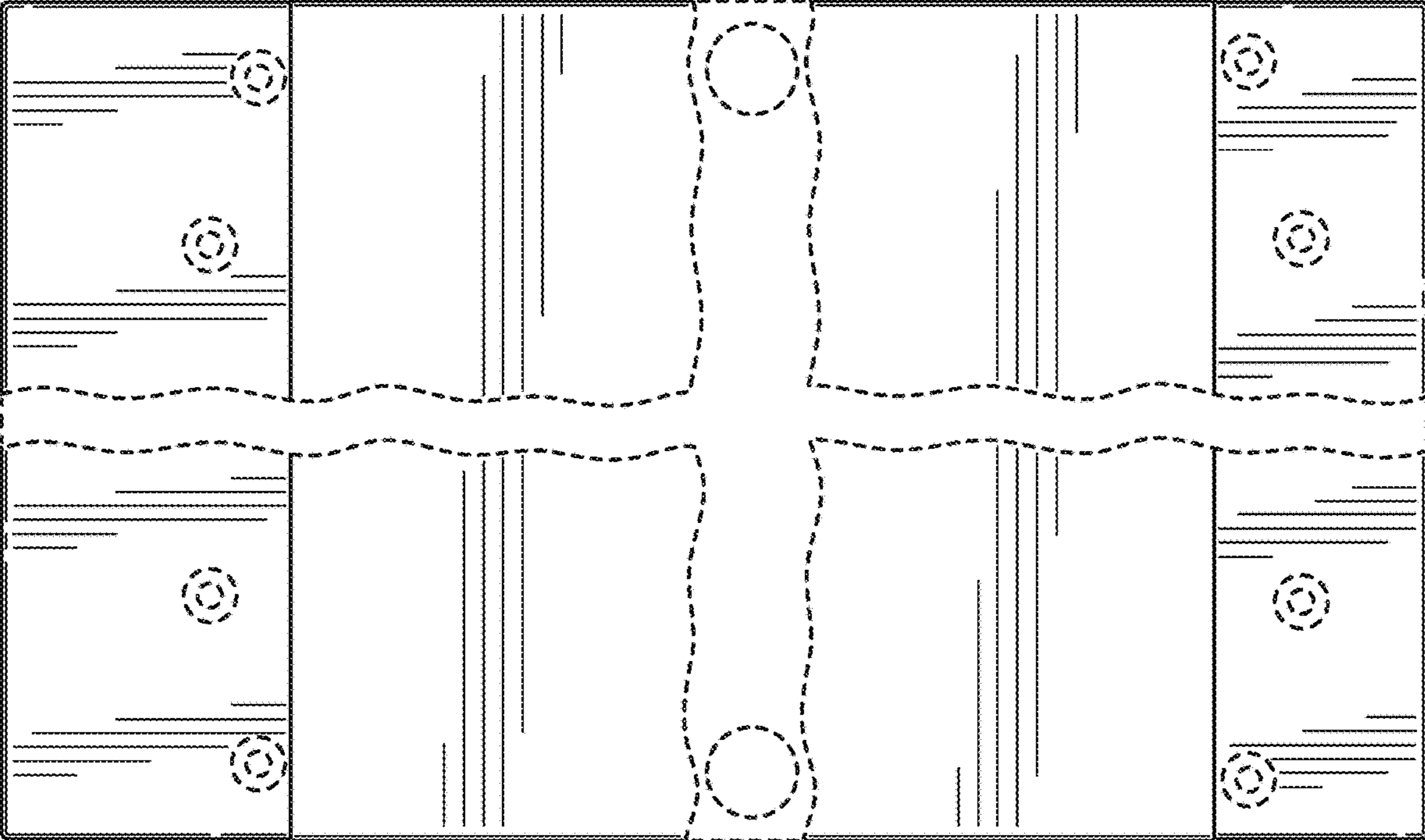


FIG. 1



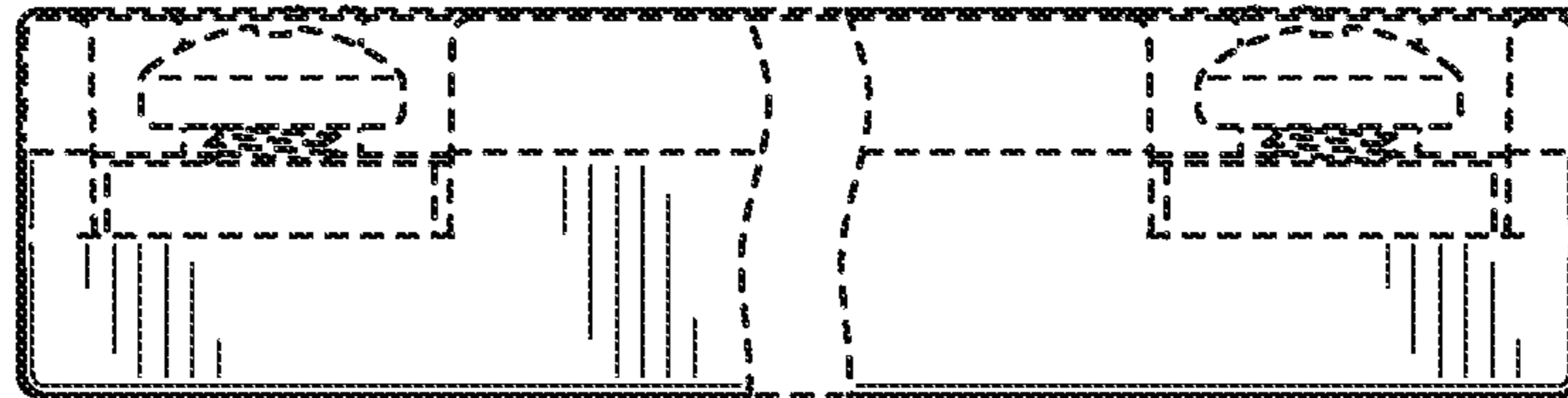
**FIG. 2**



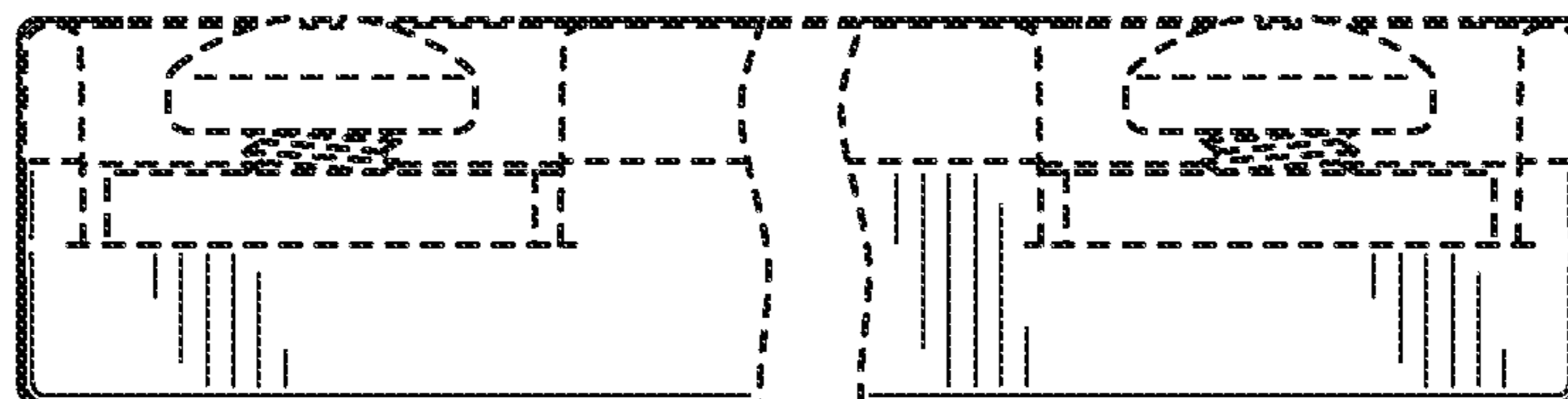
**FIG. 3**



**FIG. 4**



**FIG. 5**



**FIG. 6**

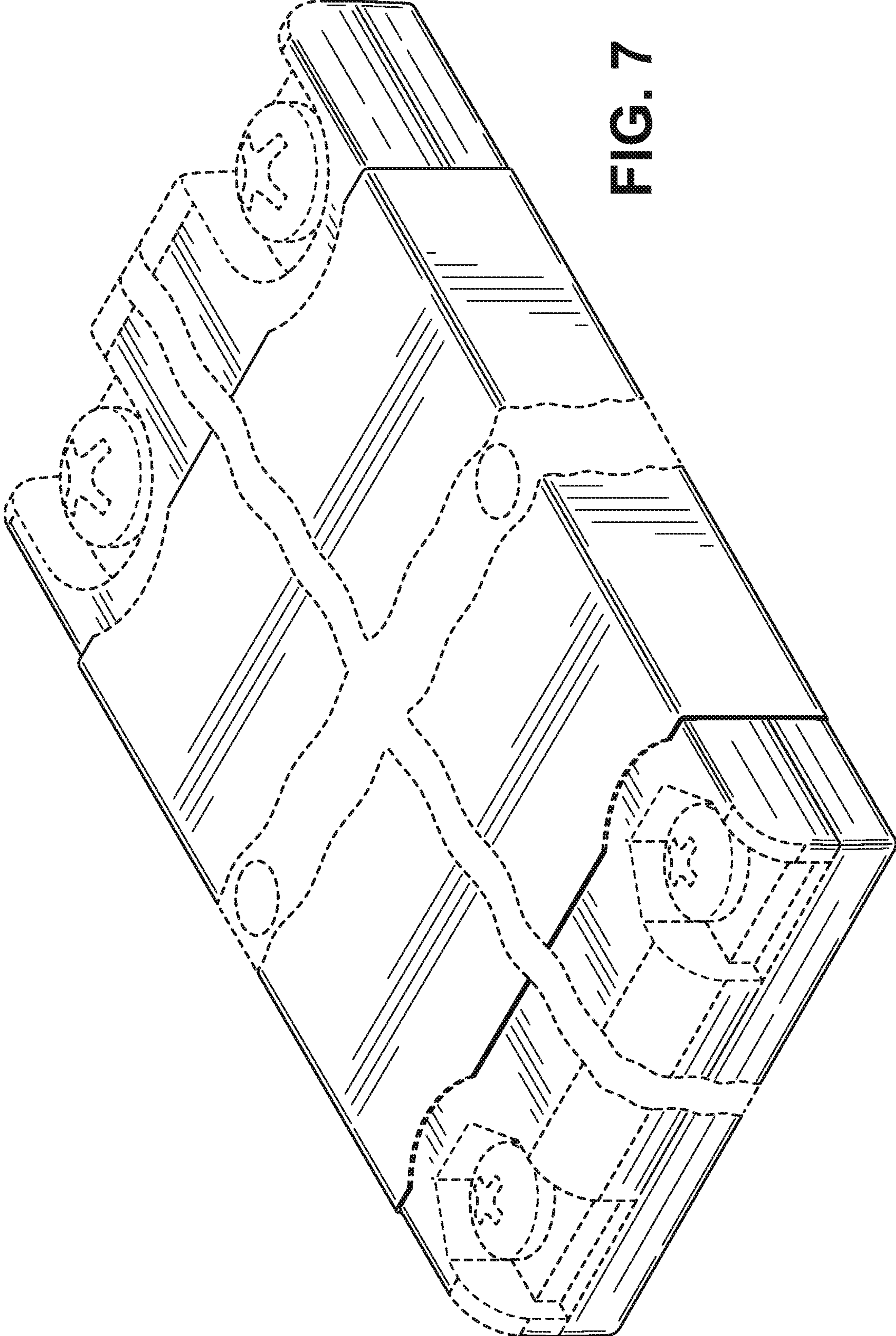
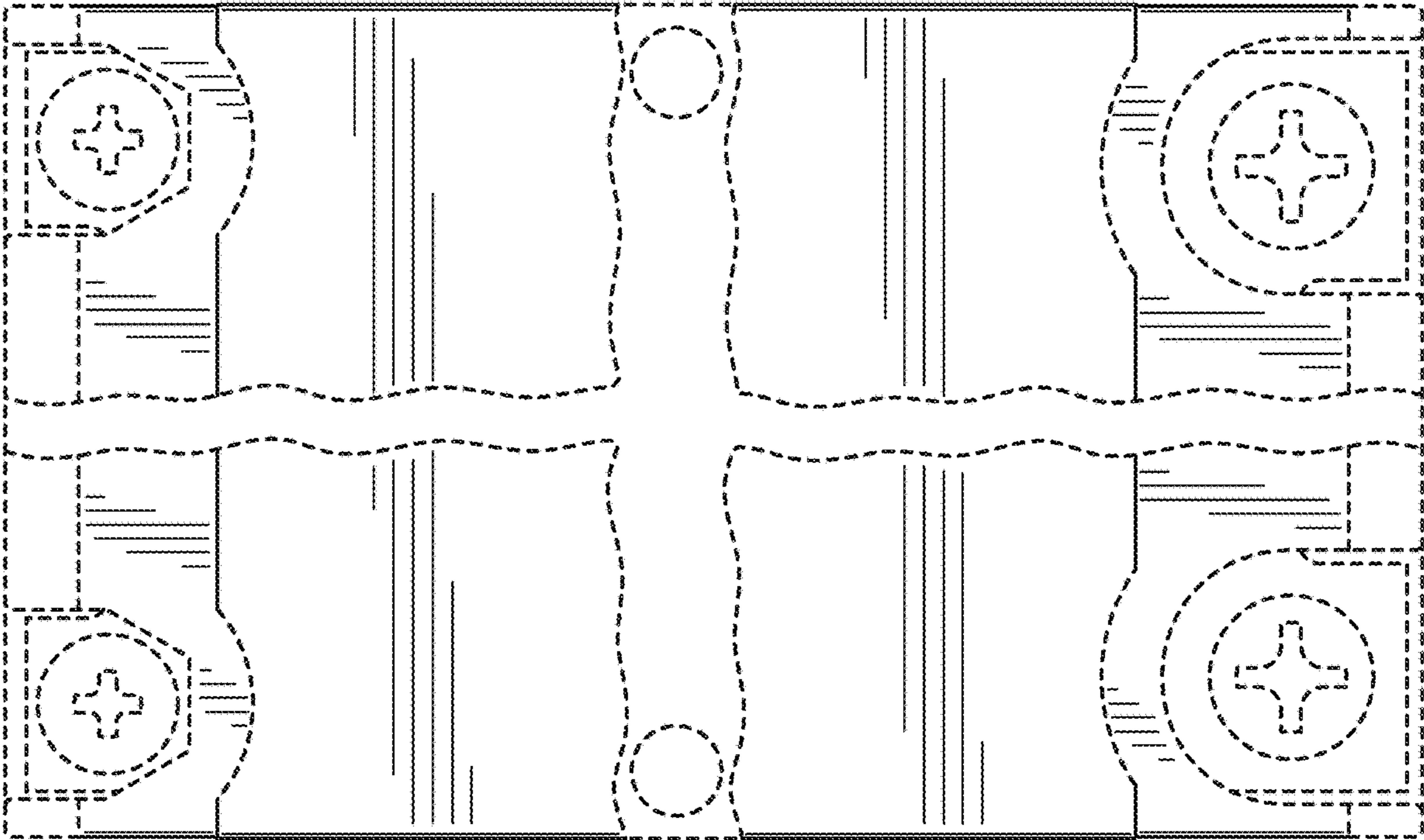
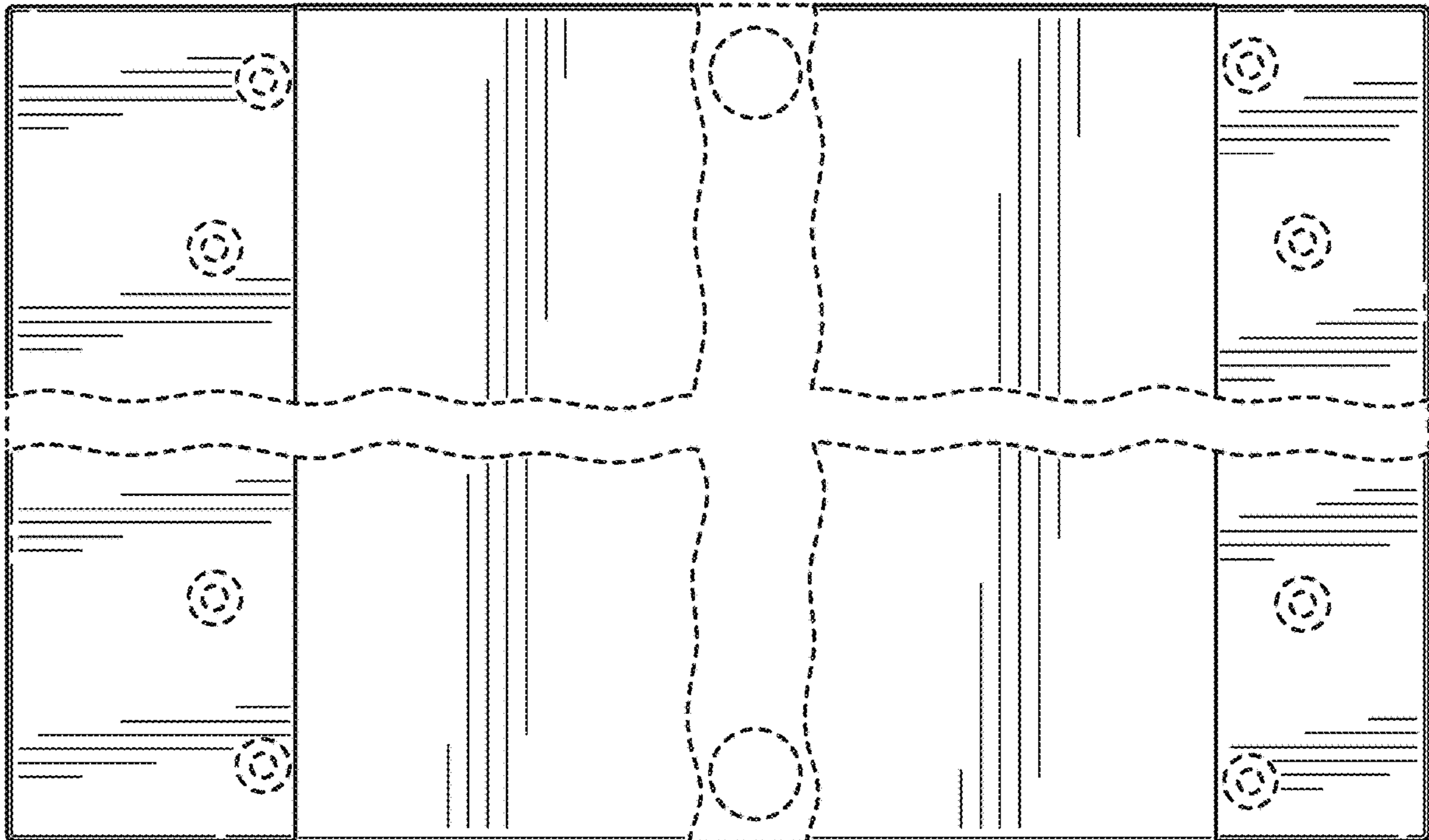


FIG. 7

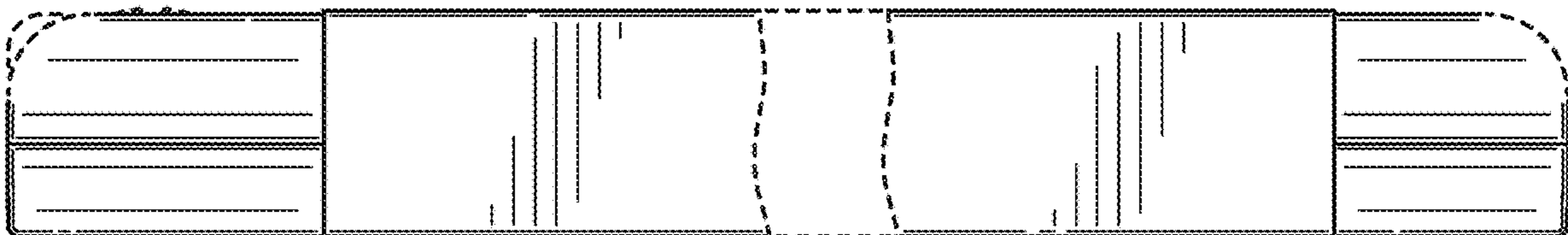


**FIG. 8**

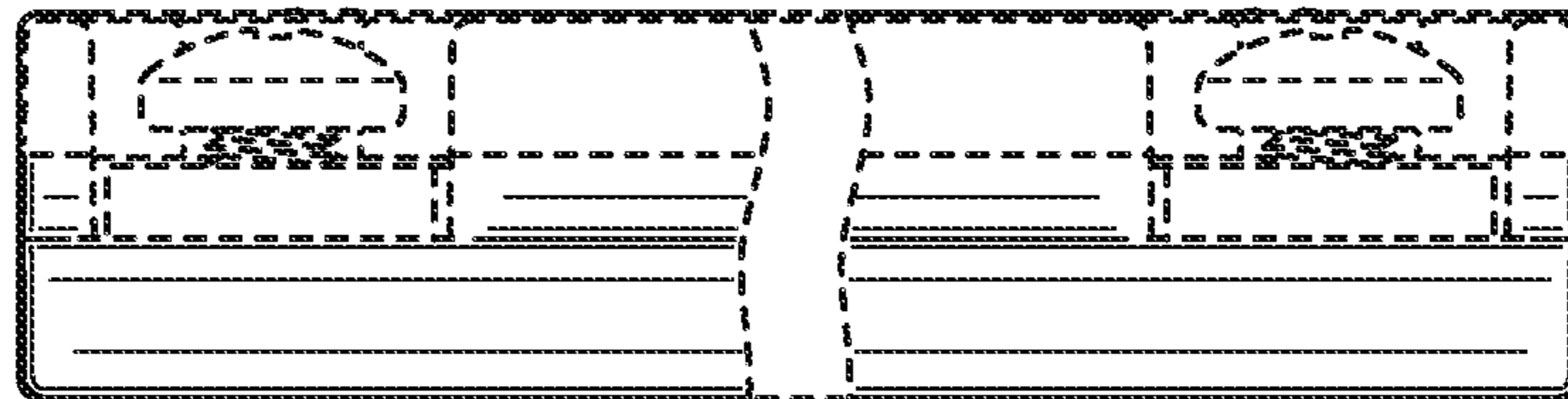




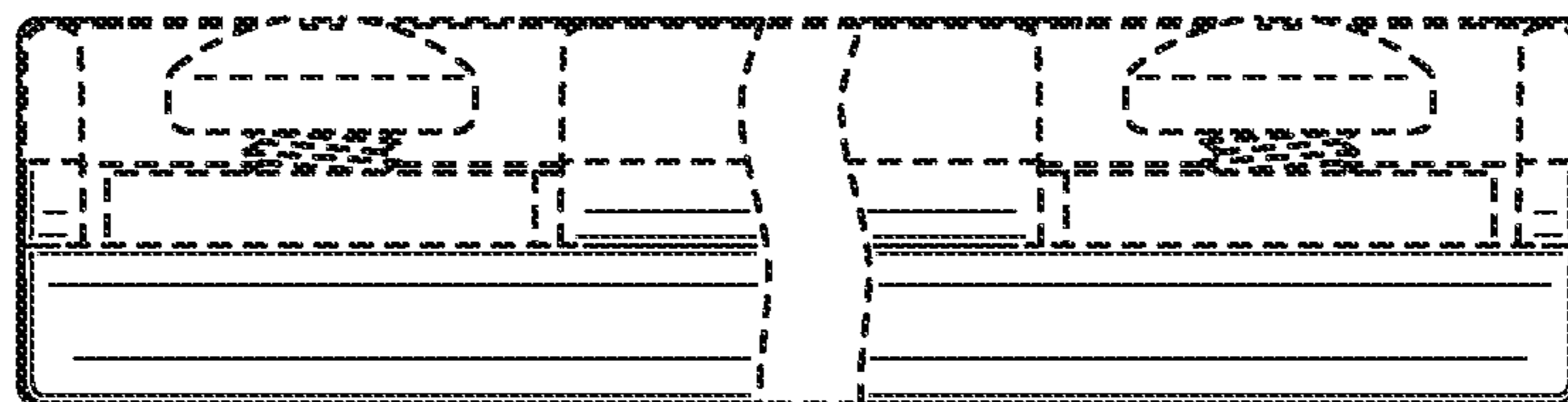
**FIG. 9**



**FIG. 10**



**FIG. 11**



**FIG. 12**