



US00D911279S

(12) **United States Design Patent**
Hu

(10) **Patent No.:** **US D911,279 S**

(45) **Date of Patent:** **** Feb. 23, 2021**

(54) **CHARGING STATION**

(71) Applicant: **SHENZHEN QIANHAI PATUOXUN NETWORK AND TECHNOLOGY CO., LTD**, Shenzhen (CN)

(72) Inventor: **Yuxia Hu**, Shenzhen (CN)

(73) Assignee: **SHENZHEN QIANHAI PATUOXUN NETWORK AND TECHNOLOGY CO., LTD**, Shenzhen (CN)

(**) Term: **15 Years**

(21) Appl. No.: **29/750,102**

(22) Filed: **Sep. 11, 2020**

(51) **LOC (13) Cl.** **13-02**

(52) **U.S. Cl.**
USPC **D13/108**

(58) **Field of Classification Search**
USPC D13/103, 107–110, 118–119, 184, 199;
D14/251, 253, 432, 434
CPC .. H02J 50/00; H02J 50/10; H02J 50/12; H02J 50/80; H02J 50/40; H02J 50/402; H02J 50/50; H02J 7/025; H02J 7/005; H02J 7/0044; H02J 7/0013; H02J 7/0003
See application file for complete search history.

(56) **References Cited**

U.S. PATENT DOCUMENTS

D709,445 S * 7/2014 Yeh D13/107
D778,829 S * 2/2017 Marmus D13/108

D823,796 S * 7/2018 Zhang D13/108
D826,851 S * 8/2018 Wang
D850,369 S * 6/2019 Wang D13/108
D852,135 S * 6/2019 Mei D13/108
D860,132 S * 9/2019 Fu D13/108
D870,657 S * 12/2019 Liang D13/108
D877,072 S * 3/2020 Yin D13/108
D879,035 S * 3/2020 Li D13/108
D886,056 S * 6/2020 Zhang D13/108
D887,350 S * 6/2020 Yamamoto D13/108
D889,403 S * 7/2020 Li D13/108
D896,170 S * 9/2020 Xiao D13/108

* cited by examiner

Primary Examiner — Rosemary K Tarcza

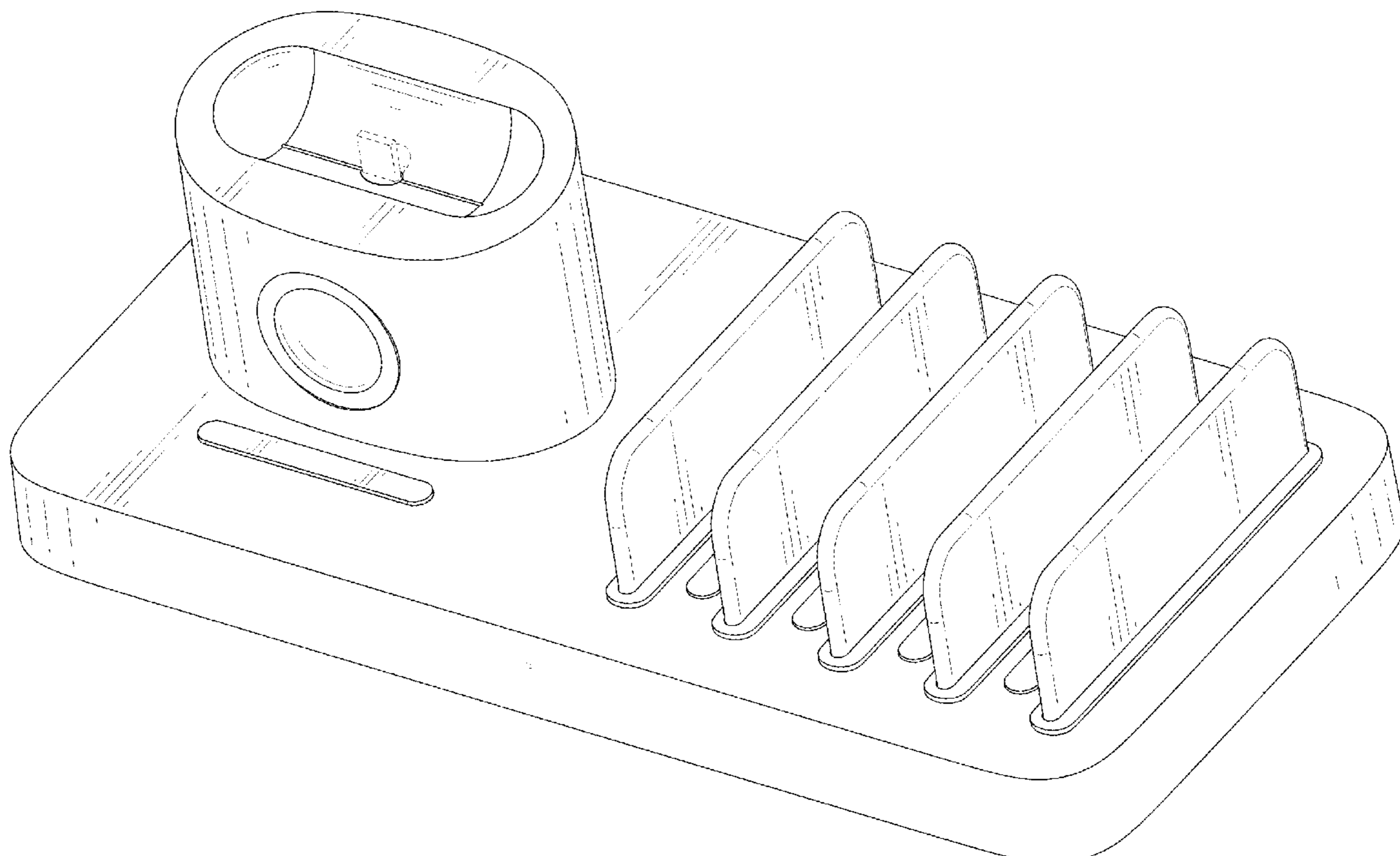
(57) **CLAIM**

The ornamental design for a charging station, as shown and described.

DESCRIPTION

FIG. 1 is a perspective view of a charging station showing my new design;
FIG. 2 is another perspective view thereof;
FIG. 3 is a front elevational view thereof;
FIG. 4 is a rear elevational view thereof;
FIG. 5 is a left side elevational view thereof;
FIG. 6 is a right side elevational view thereof;
FIG. 7 is a top plan view thereof; and,
FIG. 8 is a bottom plan view thereof.
The broken lines in the drawings depict portions of the charging station that form no part of the claimed design.

1 Claim, 8 Drawing Sheets



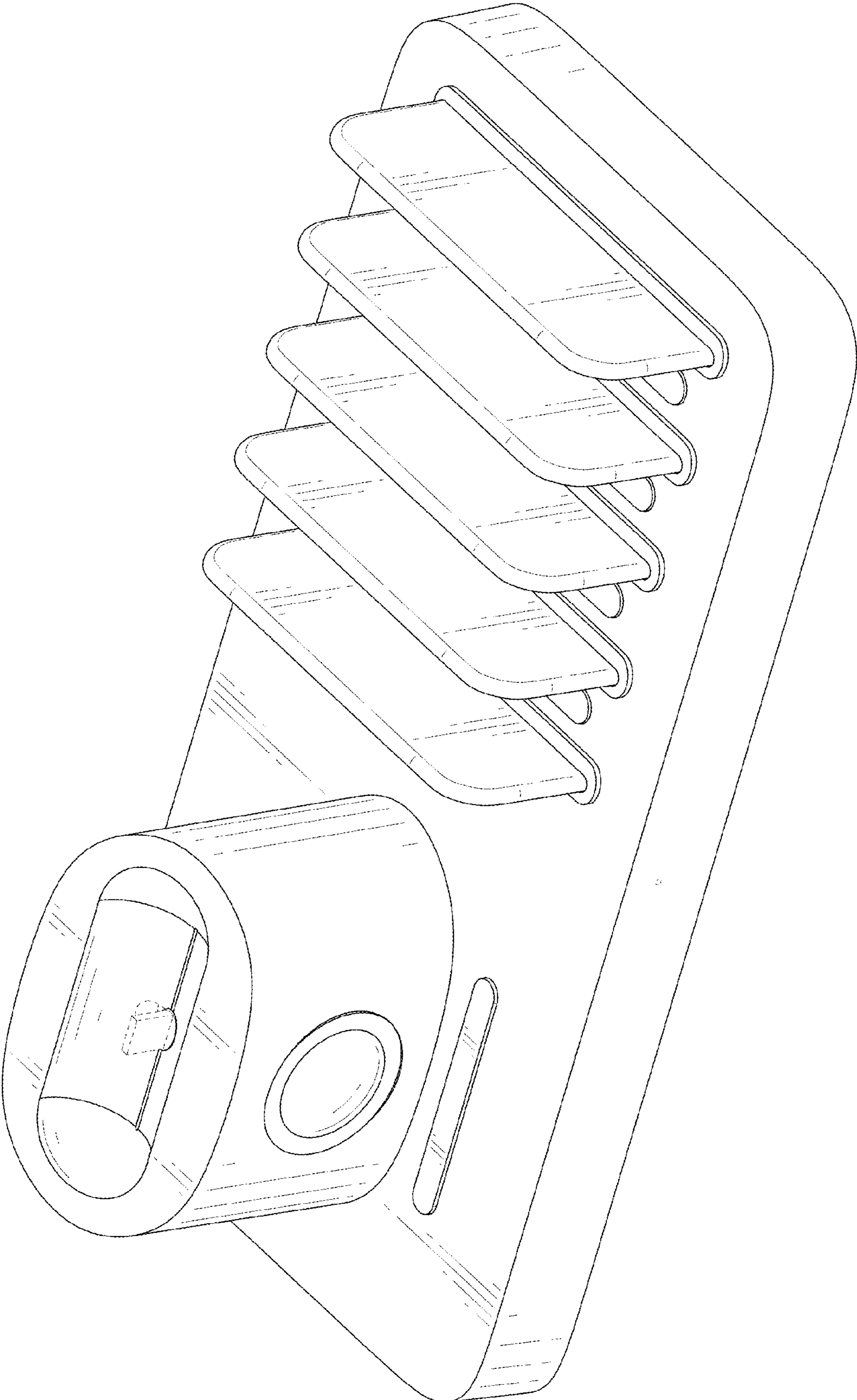


FIG. 1

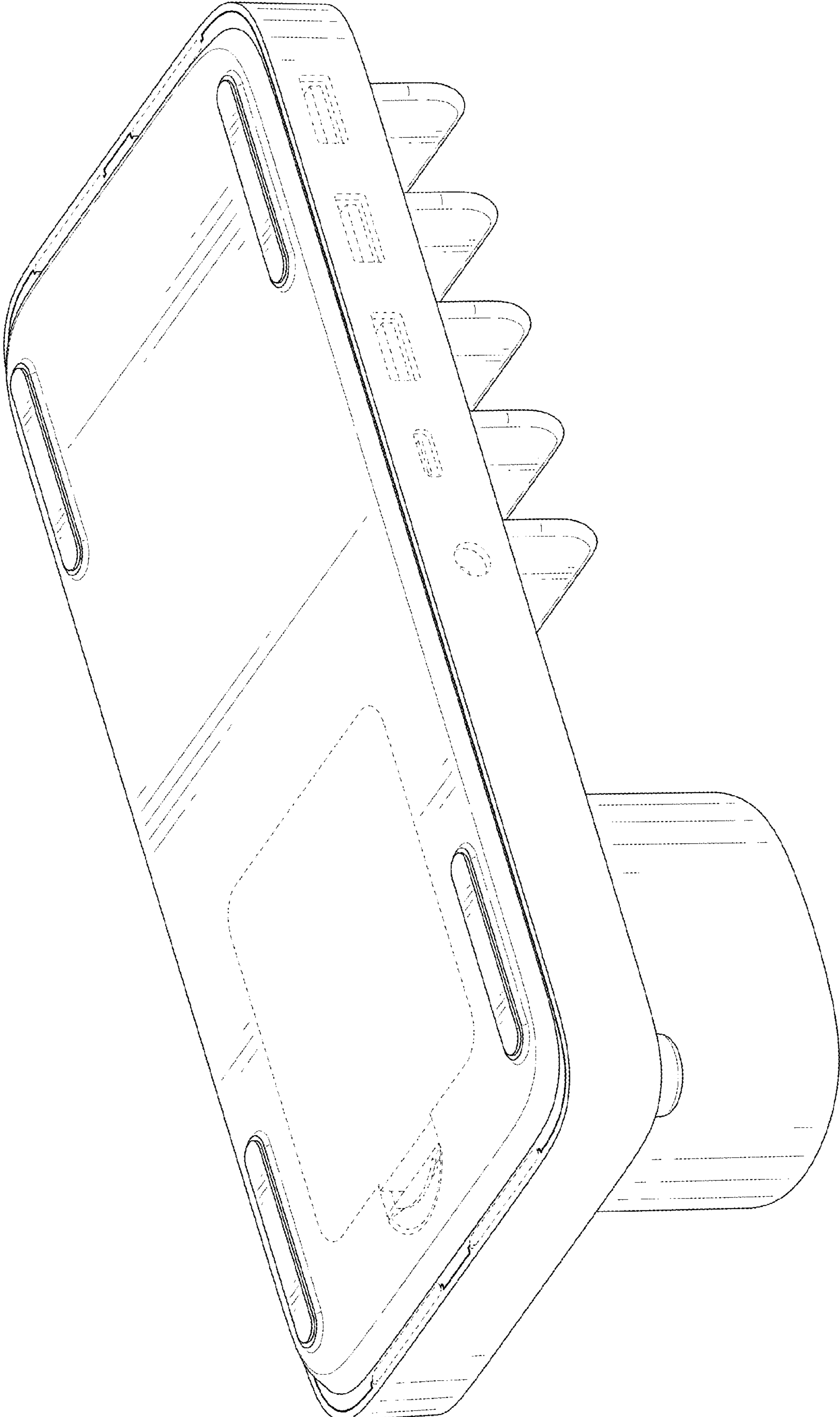


FIG. 2

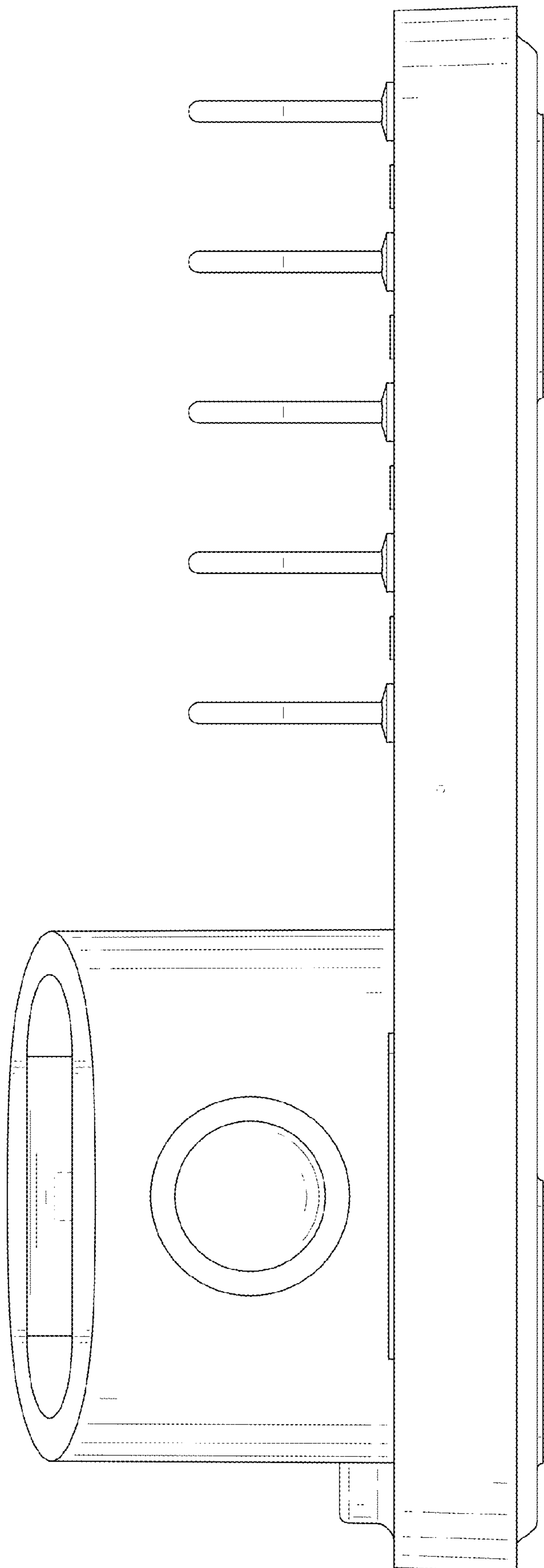


FIG. 3

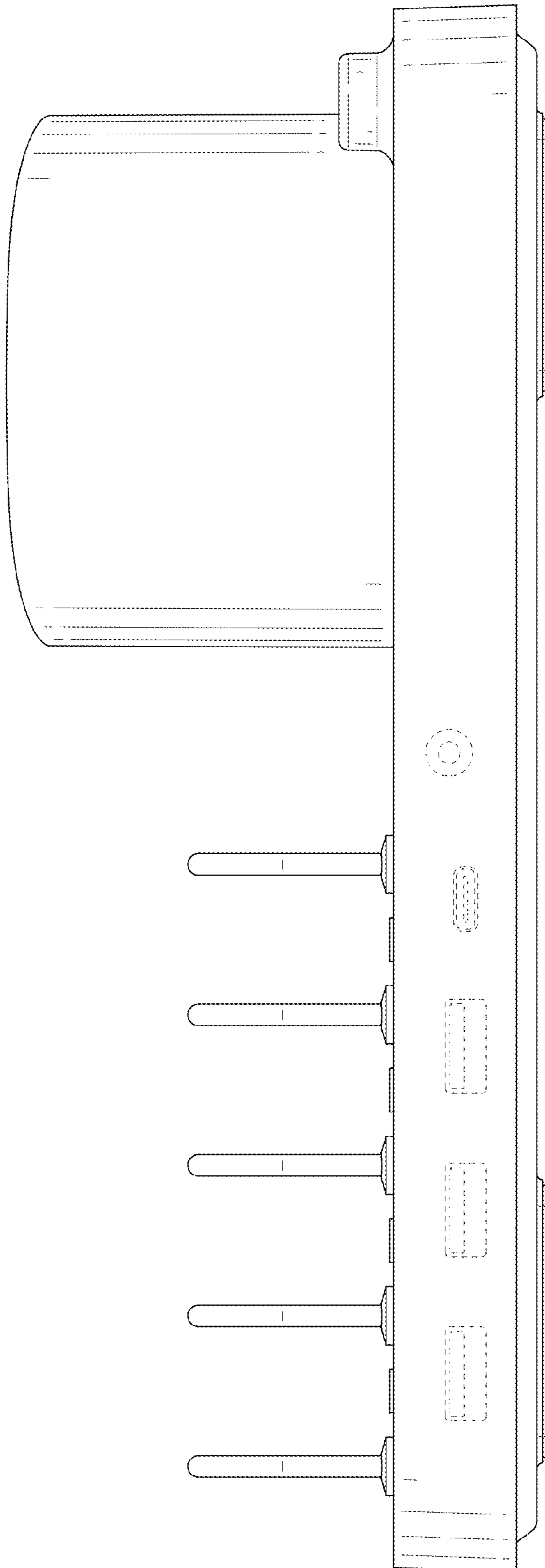


FIG. 4

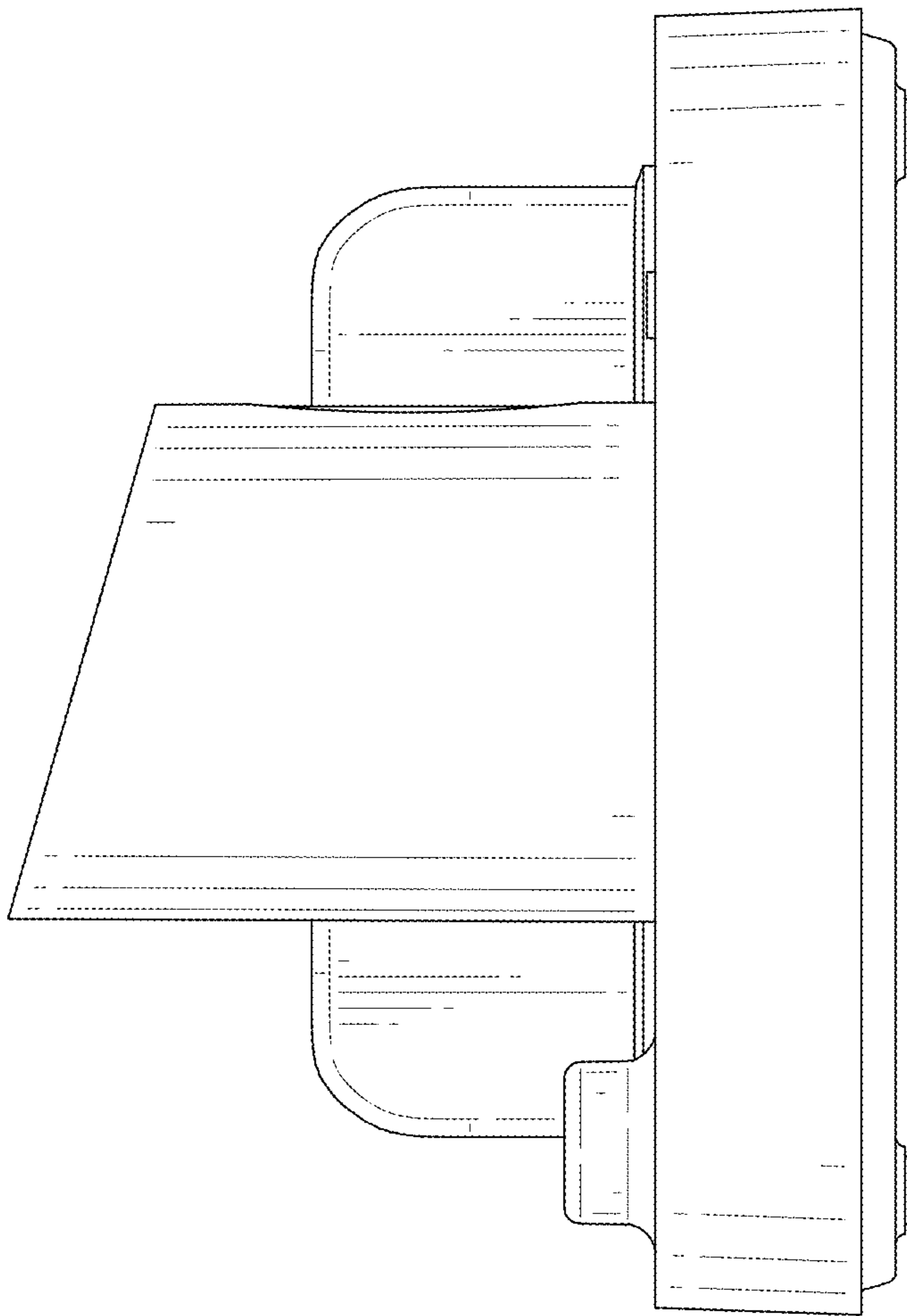


FIG. 5

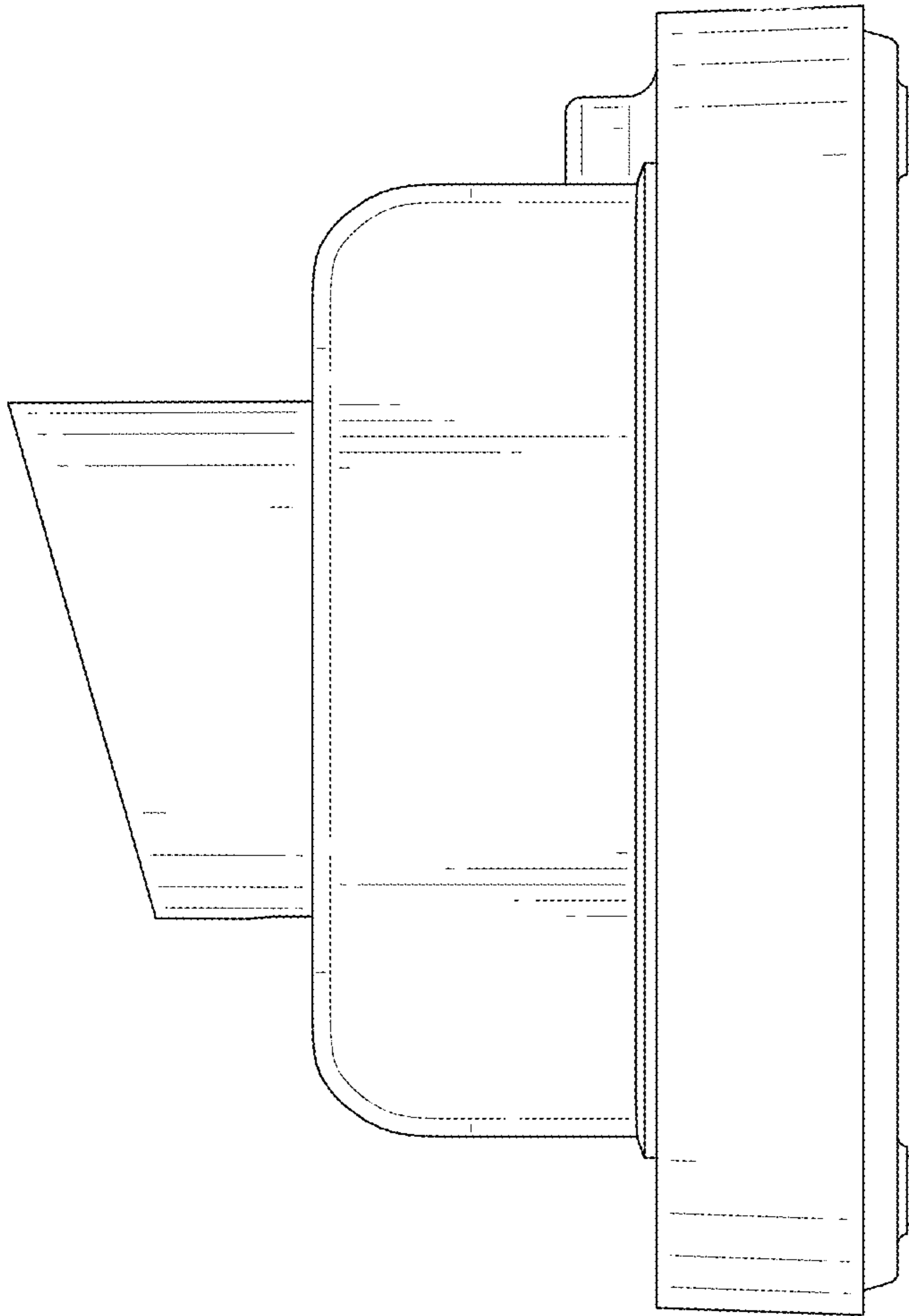


FIG. 6

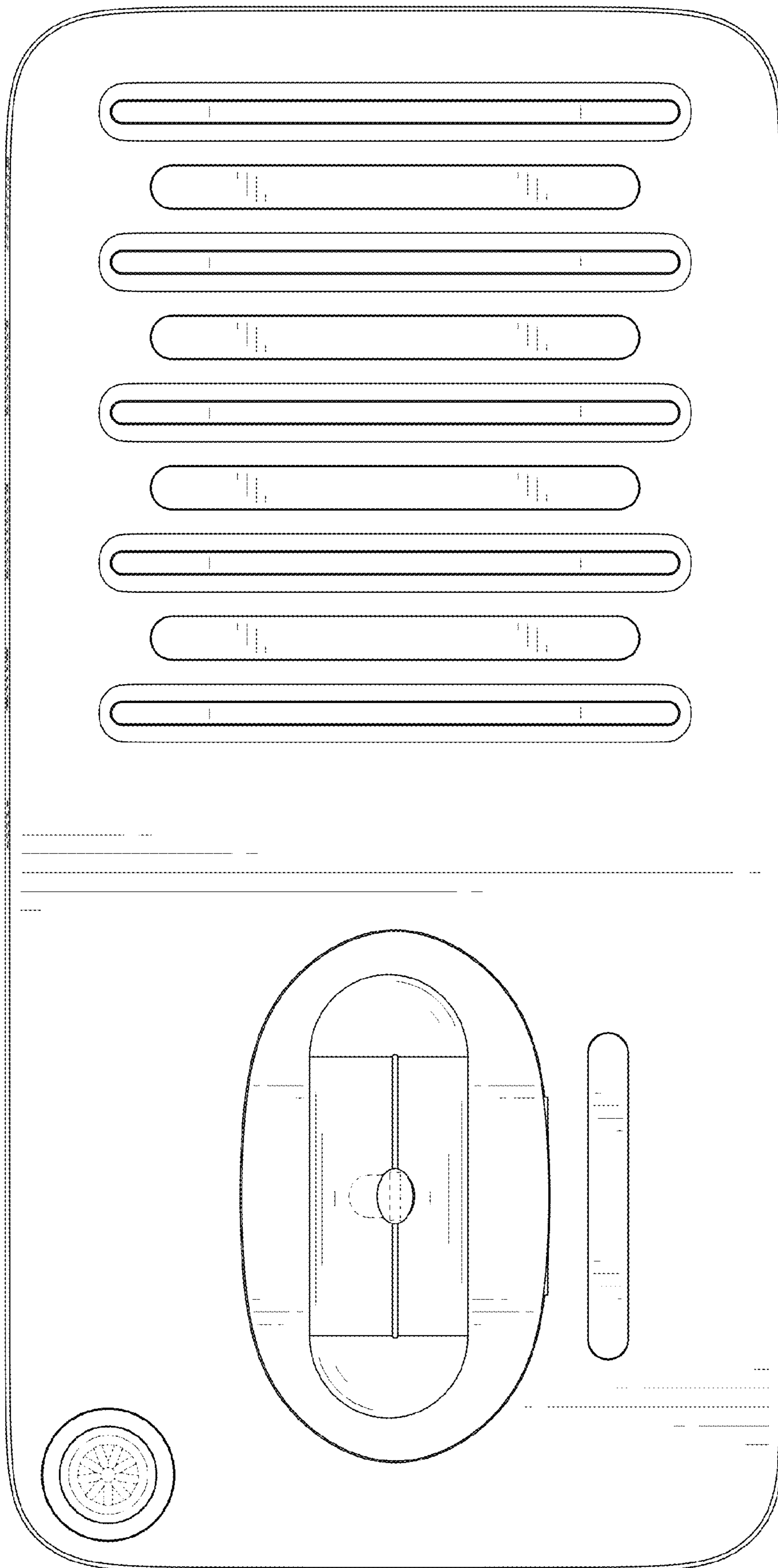


FIG. 7

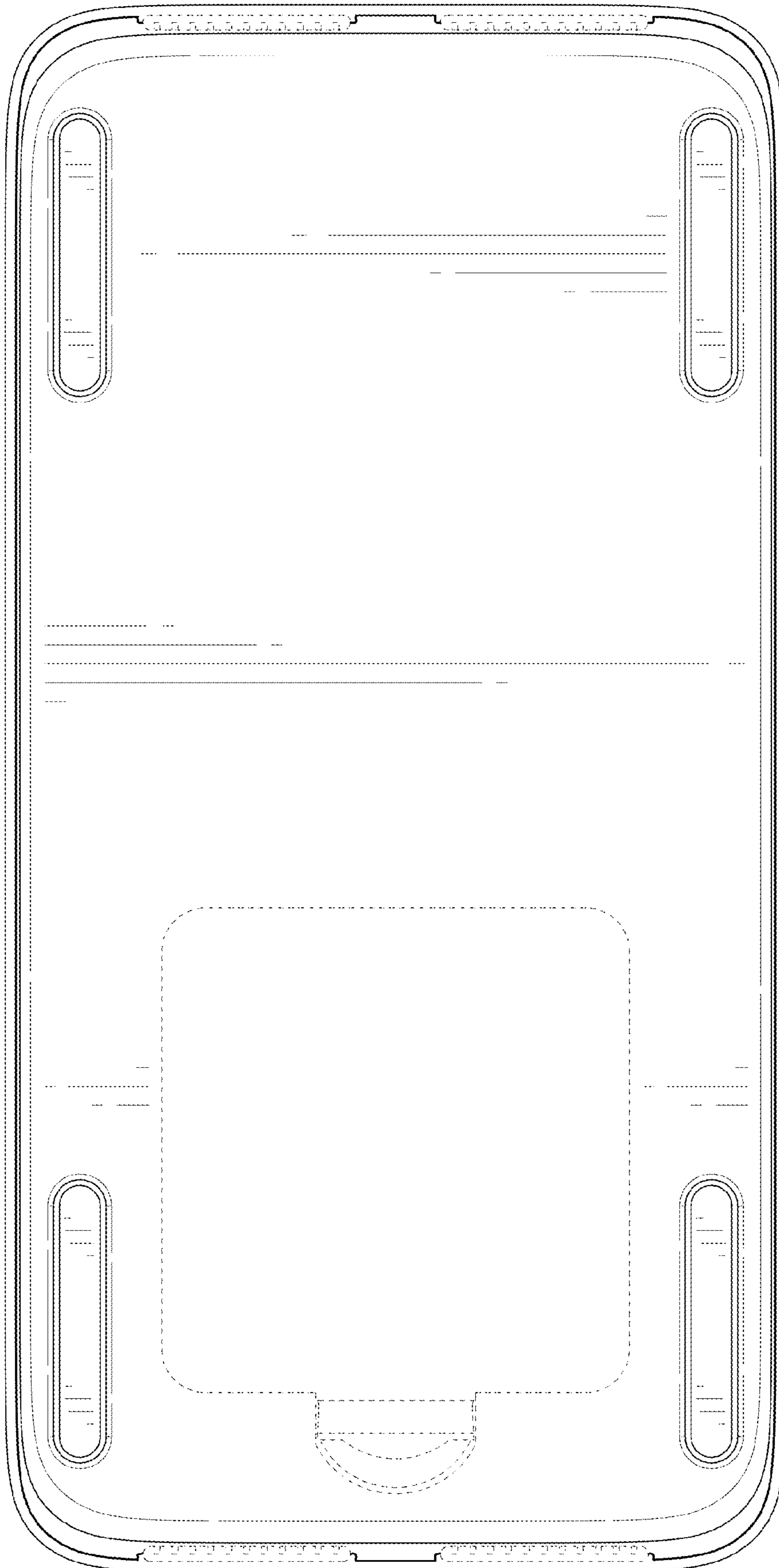


FIG. 8