



US00D911277S

(12) **United States Design Patent**  
**Shang**

(10) **Patent No.:** **US D911,277 S**

(45) **Date of Patent:** **\*\* Feb. 23, 2021**

(54) **MULTIFUNCTIONAL WIRELESS CHARGER**

(71) Applicant: **Weichao Shang**, Shaanxi (CN)

(72) Inventor: **Weichao Shang**, Shaanxi (CN)

(\*\*) Term: **15 Years**

(21) Appl. No.: **29/729,218**

(22) Filed: **Mar. 25, 2020**

(51) **LOC (13) Cl.** ..... **13-02**

(52) **U.S. Cl.**  
USPC ..... **D13/108**

(58) **Field of Classification Search**  
USPC ..... D13/103, 107–110, 118–119, 184, 199;  
D14/251, 253, 432, 434  
CPC .. H02J 50/00; H02J 50/10; H02J 50/12; H02J  
50/80; H02J 50/40; H02J 50/402; H02J  
50/50; H02J 7/025; H02J 7/005; H02J  
7/0044; H02J 7/0013; H02J 7/0003  
See application file for complete search history.

(56) **References Cited**

U.S. PATENT DOCUMENTS

D813,805 S *	3/2018	Zhong	.....	D13/108
D814,413 S *	4/2018	Zhong	.....	D13/108
D826,851 S *	8/2018	Wang	.....	D13/108
D852,134 S *	6/2019	Mei	.....	D13/108
D852,135 S *	6/2019	Mei	.....	D13/108
D855,566 S *	8/2019	Chen	.....	D13/108
D858,437 S *	9/2019	Lu	.....	D13/108
D870,662 S	12/2019	Schubert et al.		
D873,216 S *	1/2020	Zhang	.....	D13/108

D875,043 S *	2/2020	Yi	.....	D13/108
D875,679 S *	2/2020	Yi	.....	D13/108
D877,072 S *	3/2020	Yin	.....	D13/108
D879,035 S *	3/2020	Li	.....	D13/108
D881,123 S *	4/2020	Zhang	.....	D13/108
D884,621 S *	5/2020	Feng	.....	D13/108
D884,625 S	5/2020	Li		
D886,056 S *	6/2020	Zhang	.....	D13/108
D889,403 S *	7/2020	Li	.....	D13/108
D892,046 S *	8/2020	Peng	.....	D13/108

\* cited by examiner

*Primary Examiner* — Rosemary K Tarcza

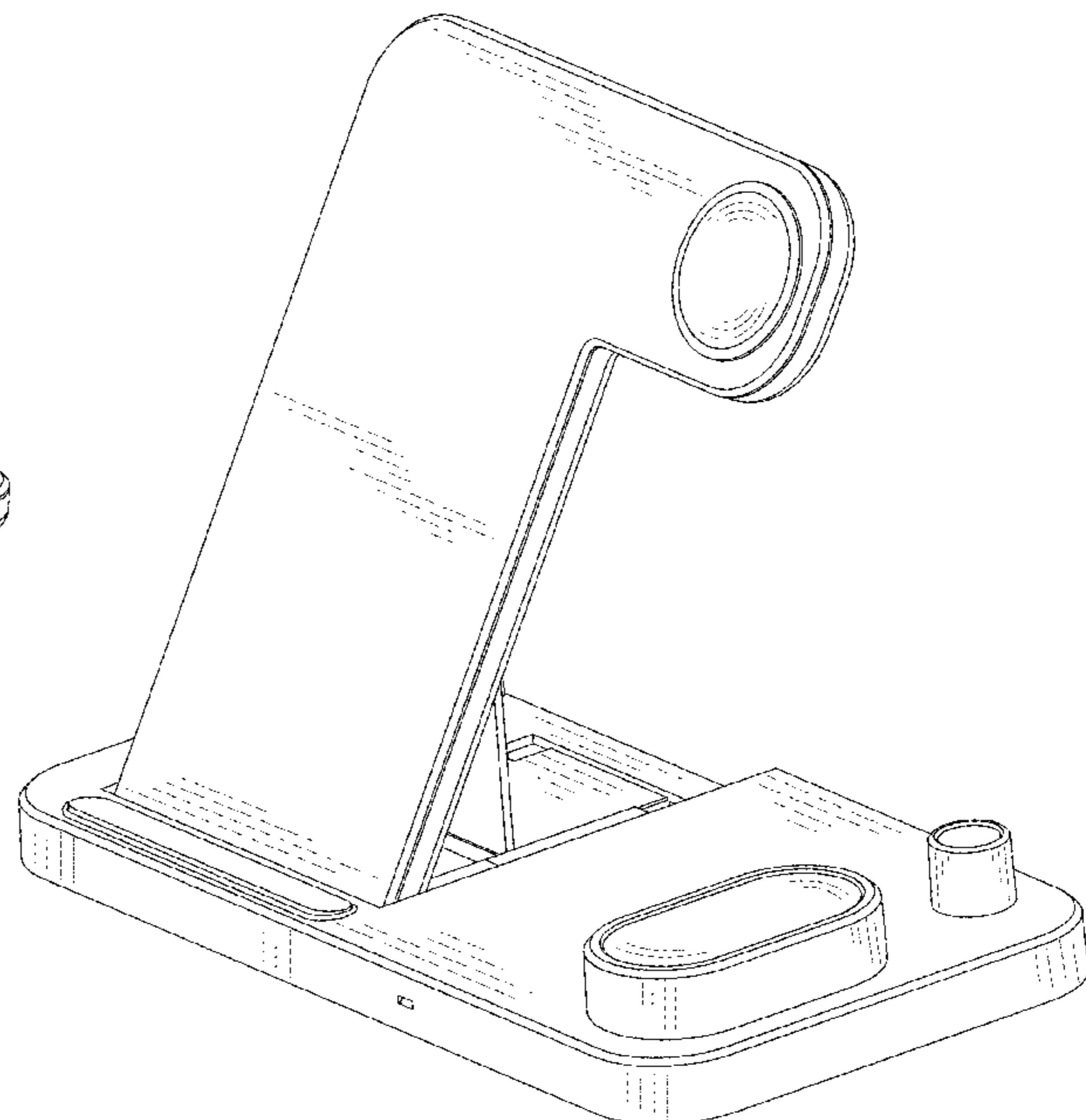
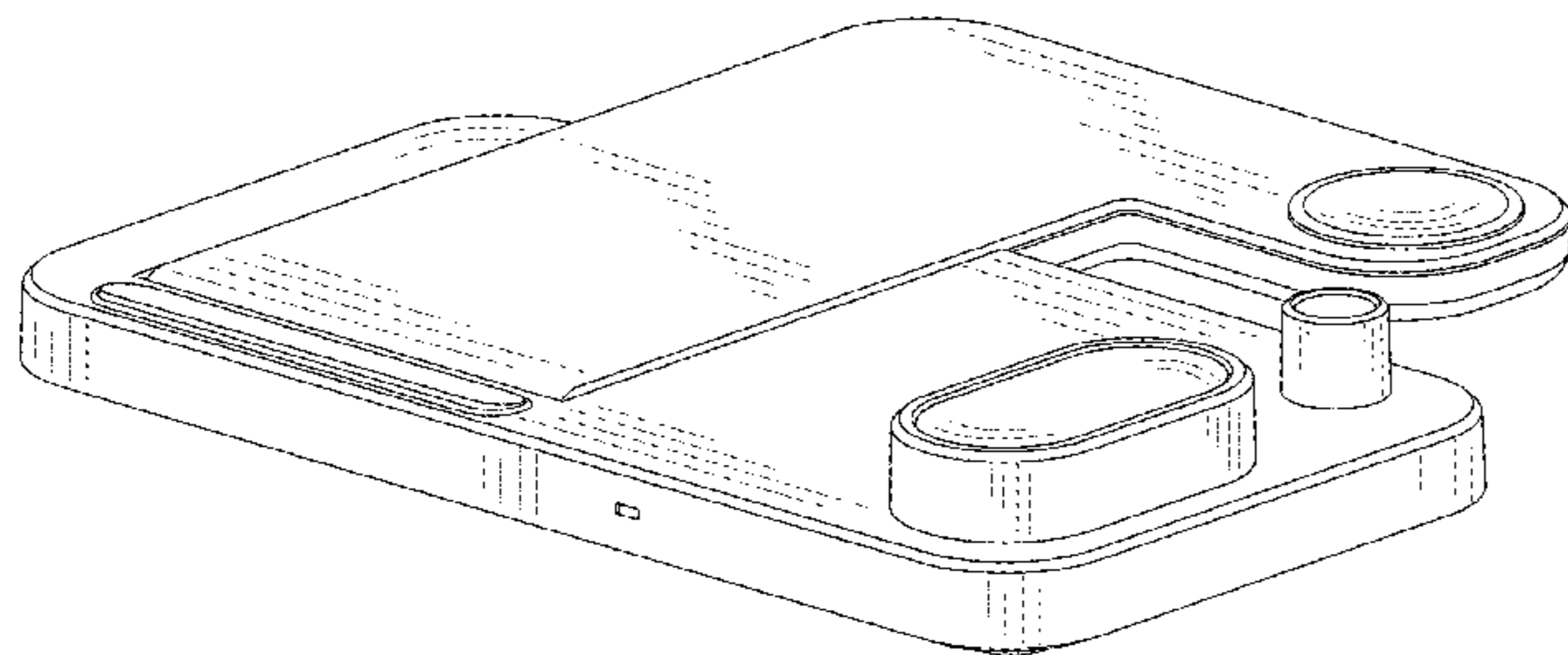
(57) **CLAIM**

The ornamental design for a multifunctional wireless charger, as shown and described.

**DESCRIPTION**

FIG. 1 is a perspective view of a multifunctional wireless charger showing my new design;  
FIG. 2 is a front elevation view thereof;  
FIG. 3 is a rear elevation view thereof;  
FIG. 4 is a left side elevation view thereof;  
FIG. 5 is a right side elevation view thereof;  
FIG. 6 is a top plan view thereof;  
FIG. 7 is a bottom plan view thereof; and,  
FIG. 8 is a perspective view thereof in an unfolded state.  
The broken lines in the drawings depict portions of the multifunctional wireless charger that form no part of the claimed design.

**1 Claim, 8 Drawing Sheets**



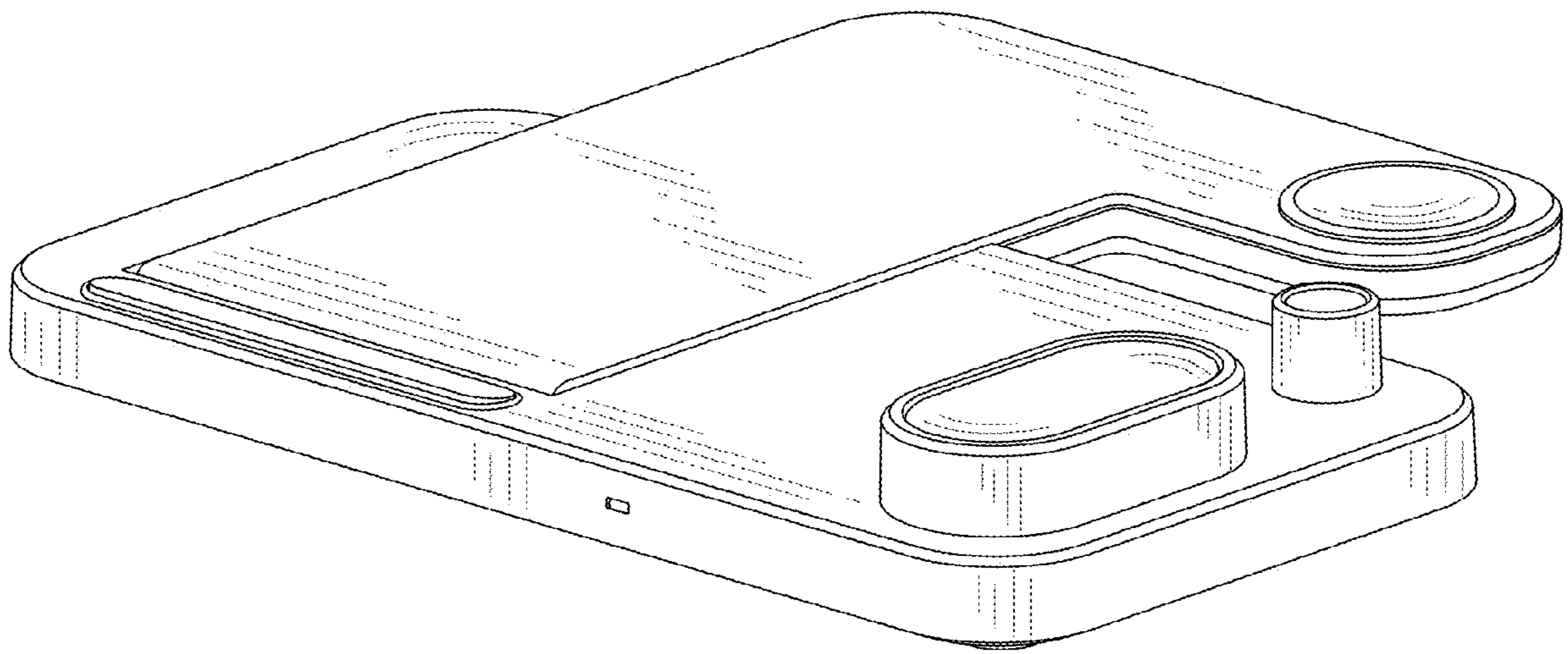


FIG. 1

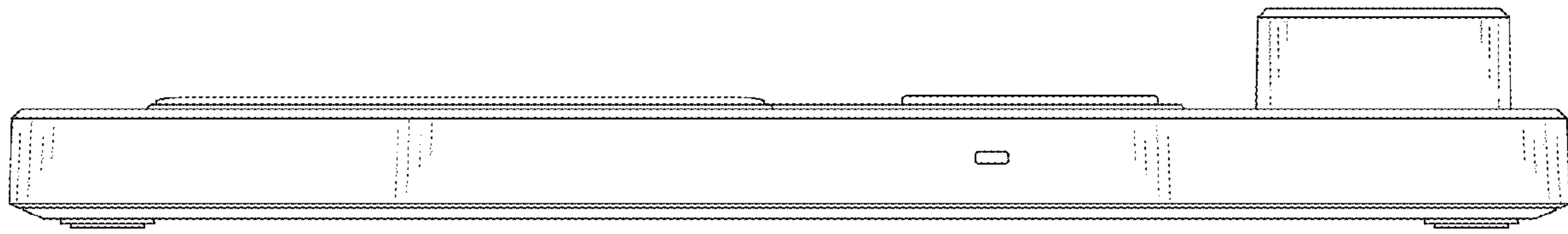


FIG. 2

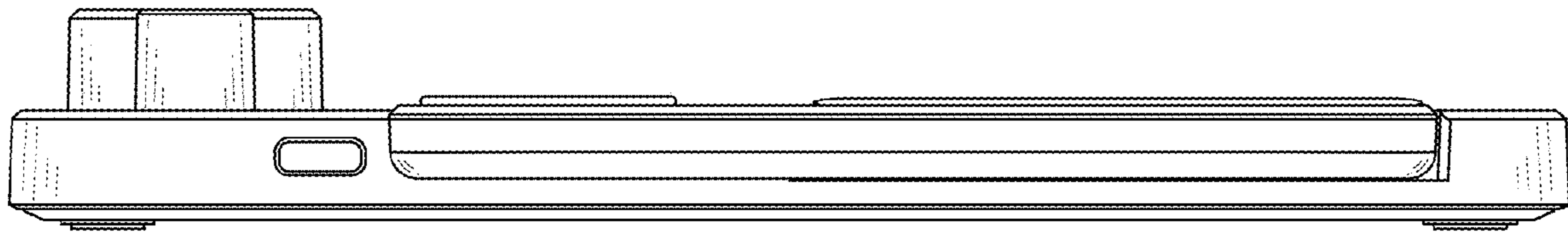


FIG. 3

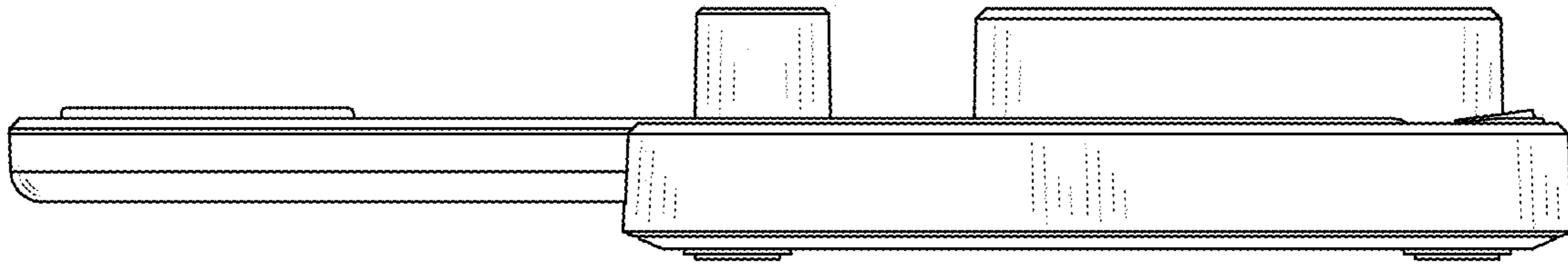


FIG. 4

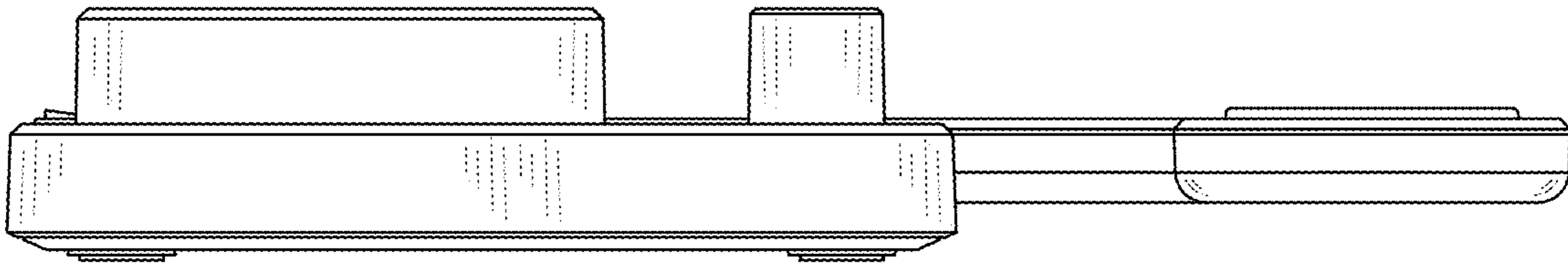


FIG. 5

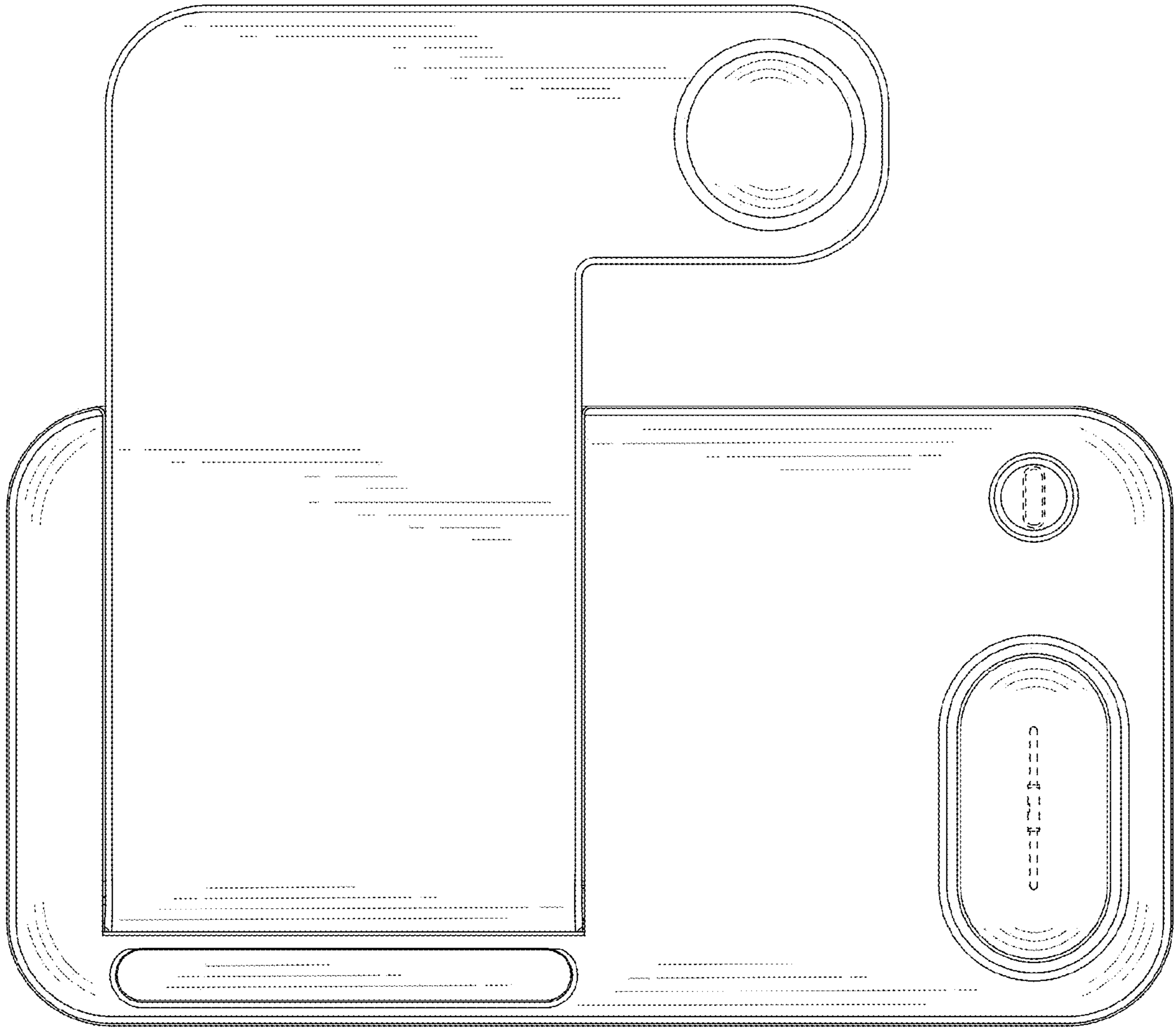


FIG. 6

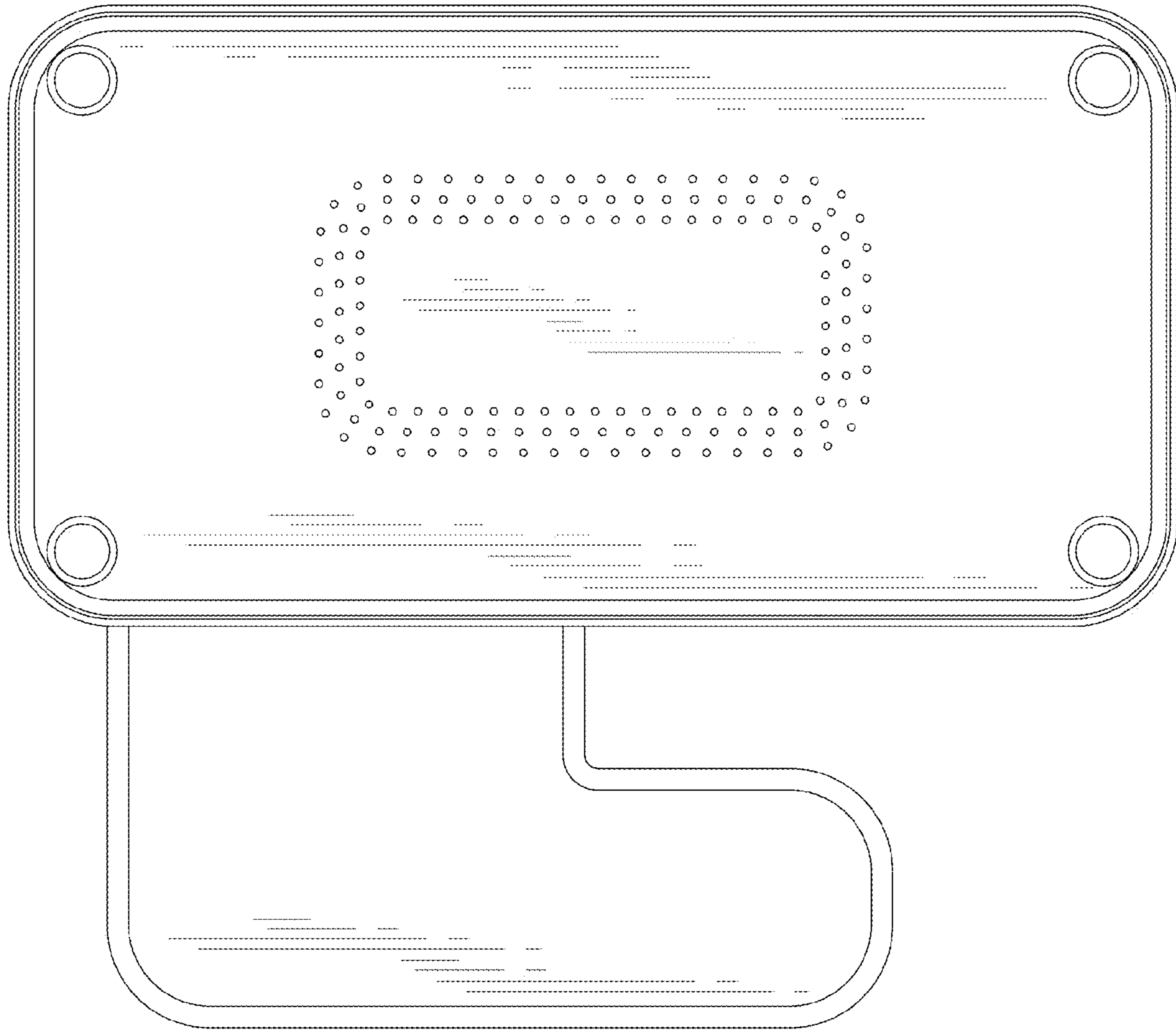


FIG. 7



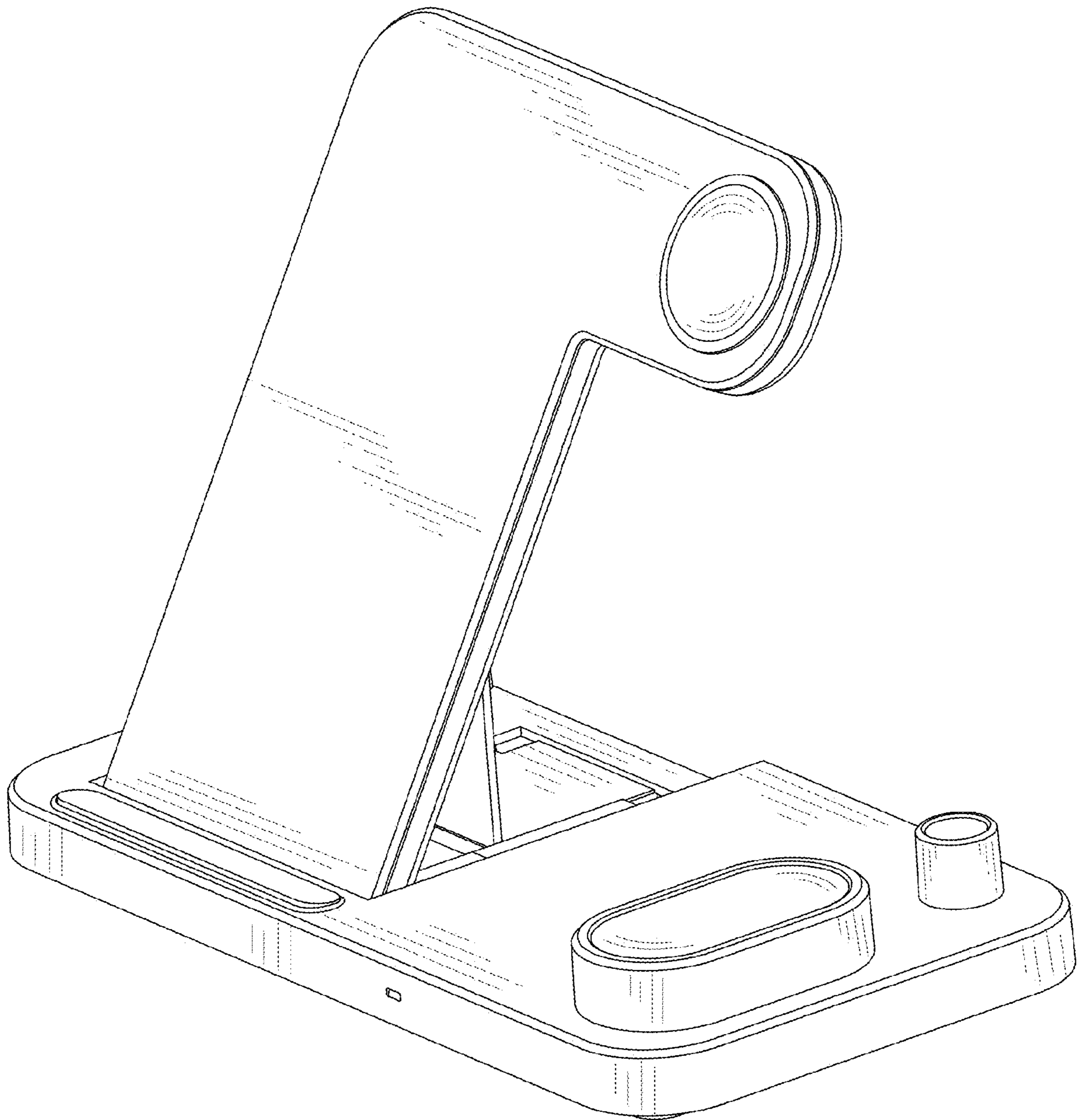


FIG. 8