



US00D911275S

(12) **United States Design Patent**
Chen

(10) **Patent No.:** **US D911,275 S**

(45) **Date of Patent:** **** Feb. 23, 2021**

(54) **DESKTOP CHARGER**

(71) Applicant: **DongGuan AnJu Electronic Technology Co., Ltd., Dongguan (CN)**

(72) Inventor: **ShaoLian Chen, DongGuan (CN)**

(**) Term: **15 Years**

(21) Appl. No.: **29/701,646**

(22) Filed: **Aug. 13, 2019**

(51) **LOC (13) Cl.** **13-02**

(52) **U.S. Cl.**
USPC **D13/108**

(58) **Field of Classification Search**
USPC D13/103, 107–110, 118, 119, 184;
D14/251, 253, 432, 434
CPC Y02E 60/12; H02J 7/025; H02J 7/0042;
H02J 7/0044; H02J 7/0045; H02J 7/0003;
H02J 7/0034; H02J 7/0054; H02J 7/1423;
H02J 7/0027; H02J 7/0013; H02J
2001/008; H02J 3/32; H02J 3/008; H01F
38/14; H01R 13/6675; H01M 2/1022;
H01M 2/1055; H01M 10/44; H01M
10/46; H01M 10/425; B60L 11/182;
B60L 11/1809; B60L 11/1861; B60R
16/03; Y02T 10/7005; Y02T 10/705;
Y02T 10/7088

See application file for complete search history.

(56) **References Cited**

U.S. PATENT DOCUMENTS

D756,915 S * 5/2016 Yang D13/108
D756,916 S * 5/2016 Yang D13/108
D780,116 S * 2/2017 Bing D13/107
D790,458 S * 6/2017 He D13/108
D790,464 S * 6/2017 He D13/110
D812,560 S * 3/2018 Xu D13/107
D830,297 S * 10/2018 Huang D13/107
D871,328 S * 12/2019 Yang D13/108

D883,923 S * 5/2020 Keferstein D13/108
D883,925 S * 5/2020 Yoon D13/108
D892,735 S * 8/2020 Zhang D13/108

OTHER PUBLICATIONS

Amazon.com Search: Visit the Anker Store, USB C Wall Charger. Date First Available of May 30, 2017. Retrieved from the internet at <<https://www.amazon.com/Charger-Anker-Premiun-Desktop-Delivery/dp/B072K5ZJXF/>>, Aug. 14, 2020. 1 page. (Year: 2017).*
Anju.manufacturer.globalsources.com: DongGuan AnJu Electronic Technology Co., Ltd. Published Aug. 14, 2020. Retrieved from the internet at <<https://www.anju.manufacturer.globalsources.com/si/6008854510412/pdf/USB-power/1177351965/adapter-charger-power-supply.htm>>, Aug. 14, 2020. 1 page. (Year: 2020).*

* cited by examiner

Primary Examiner — Christy Nemeth

(57) **CLAIM**

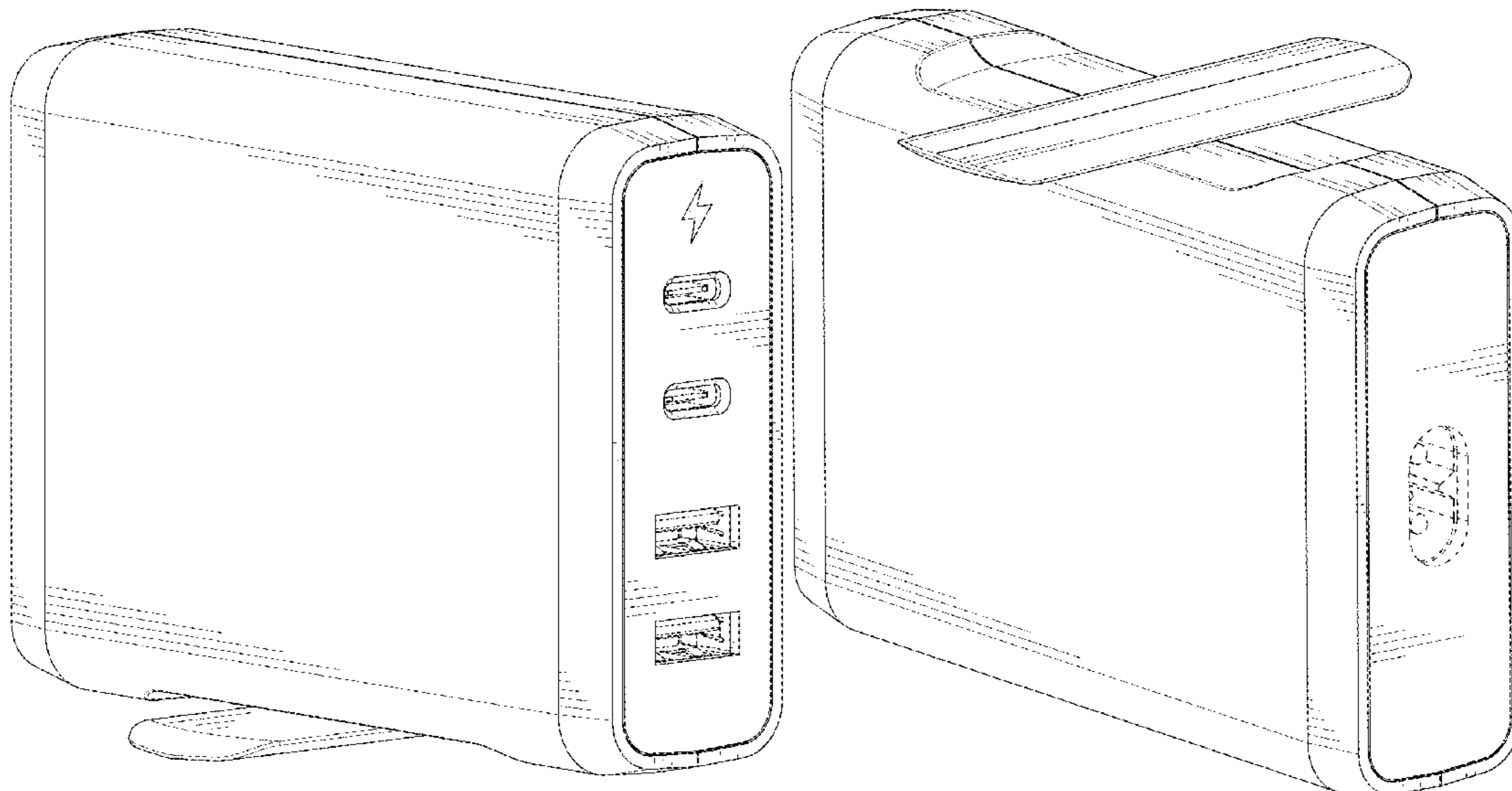
The ornamental design for a desktop charger, as shown and described.

DESCRIPTION

FIG. 1 is a front, top perspective view of a desktop charger of my new design;
FIG. 2 is a rear, bottom perspective view thereof;
FIG. 3 is a front elevational view thereof;
FIG. 4 is a rear elevational view thereof;
FIG. 5 is a left side elevational view thereof;
FIG. 6 is a right side elevational view thereof;
FIG. 7 is a top plan view thereof;
FIG. 8 is a bottom plan view thereof; and,
FIG. 9 is a rear, bottom perspective view thereof, shown in an alternate configuration with the base rotated.

The broken lines immediately adjacent to the claimed portions are for the purpose of illustrating boundaries. The remaining broken lines are for the purpose of illustrating environmental structure. None of the broken lines form part of the claimed design.

1 Claim, 9 Drawing Sheets



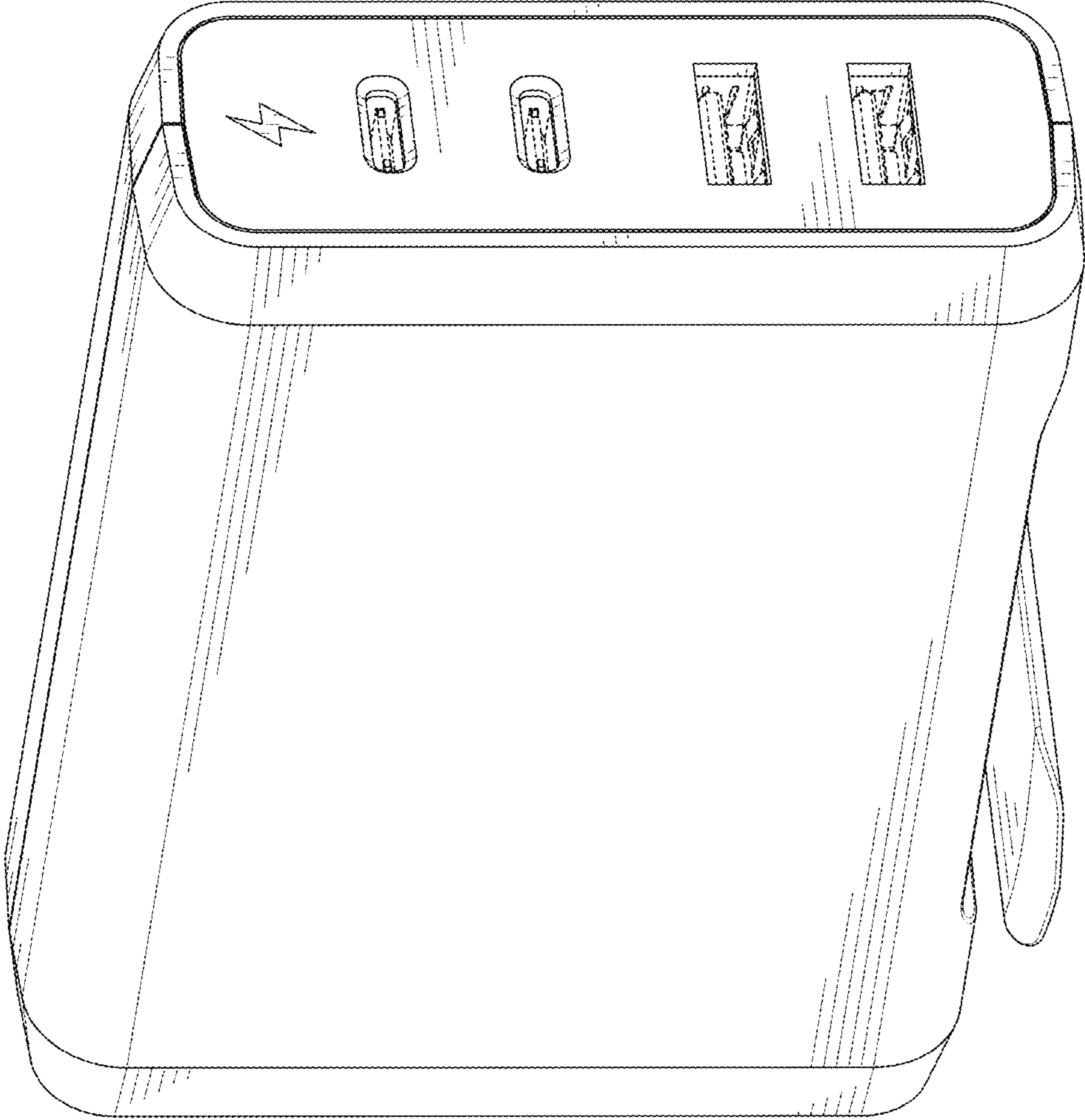


FIG. 1

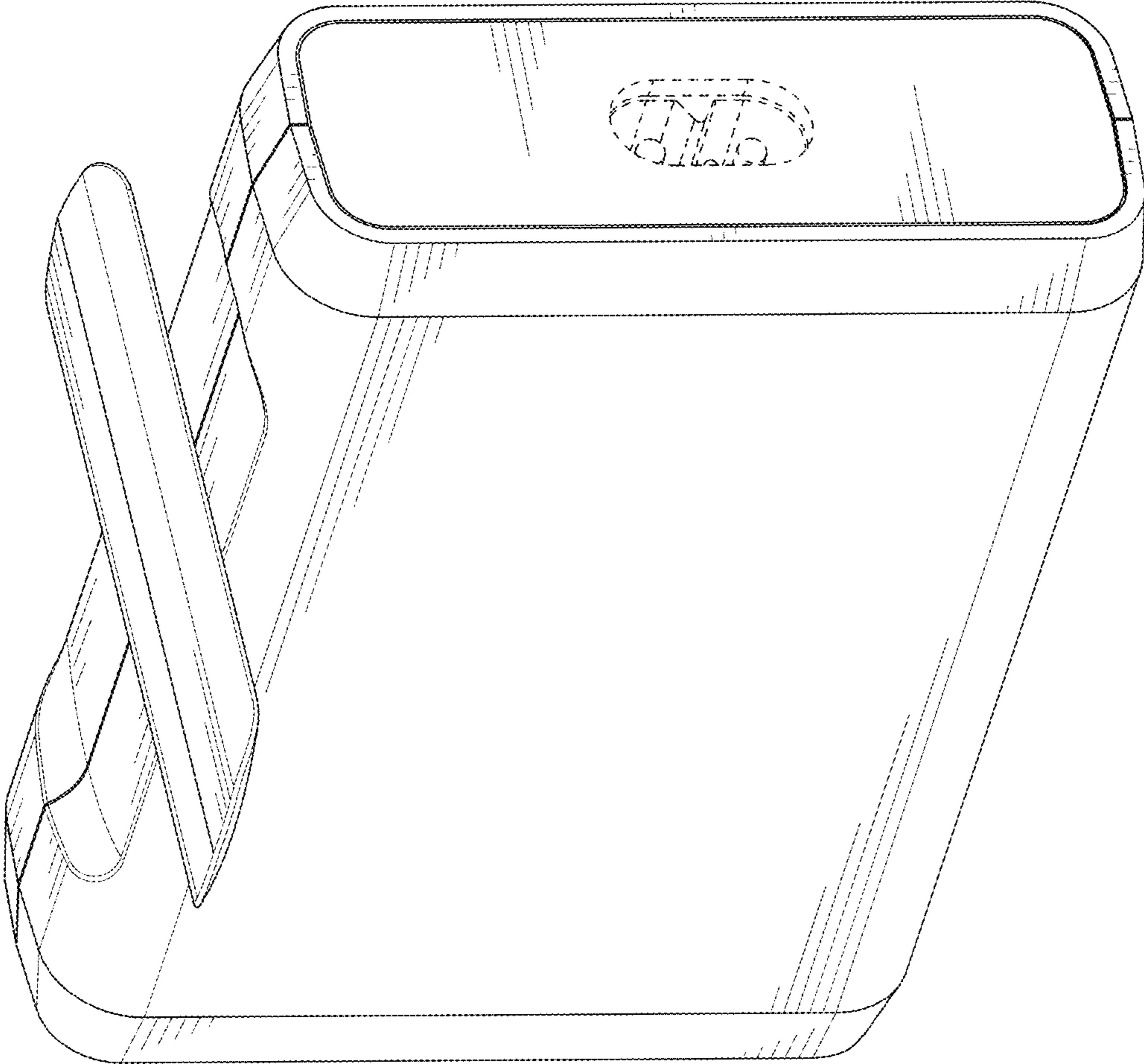


FIG. 2

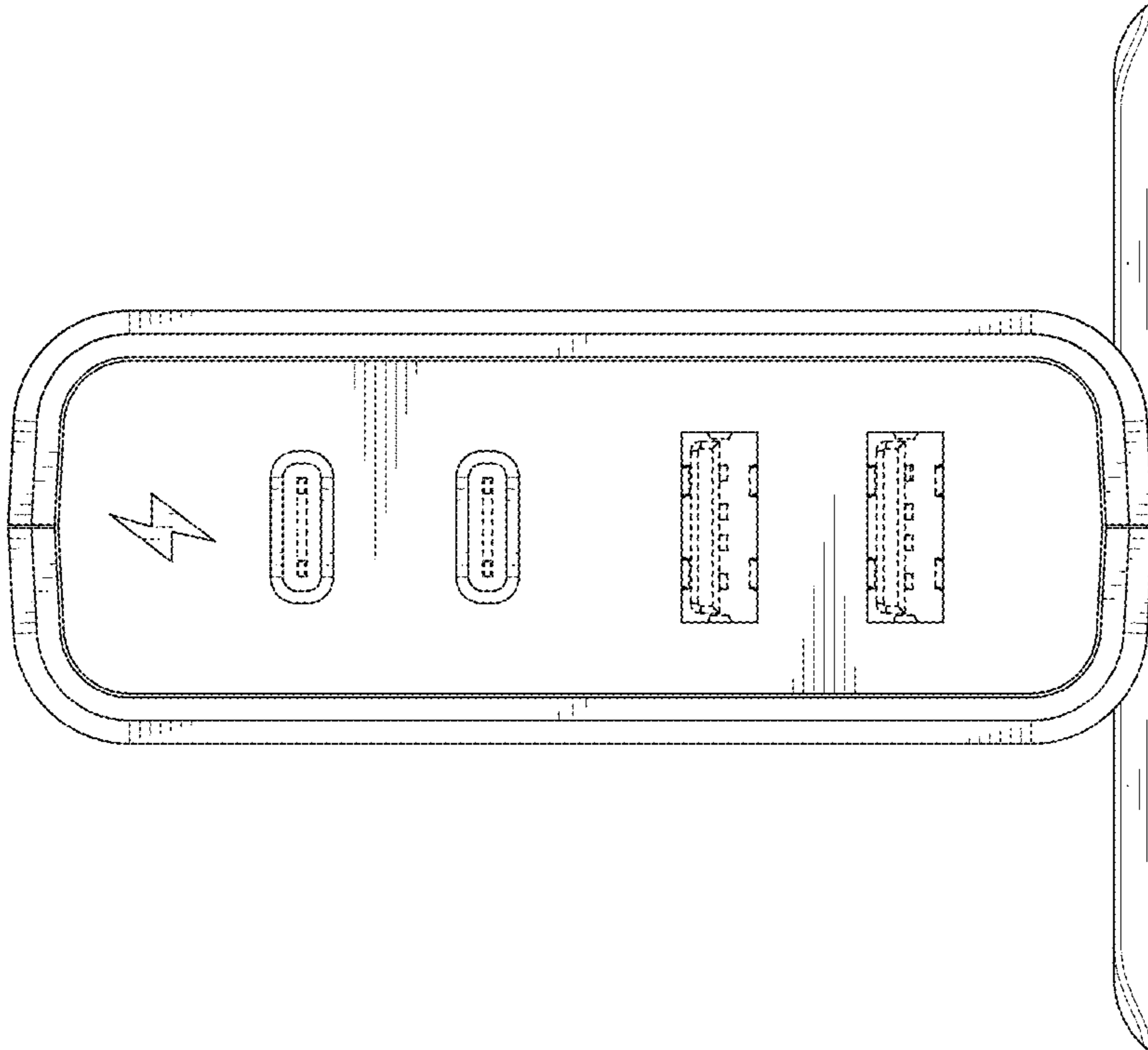


FIG. 3

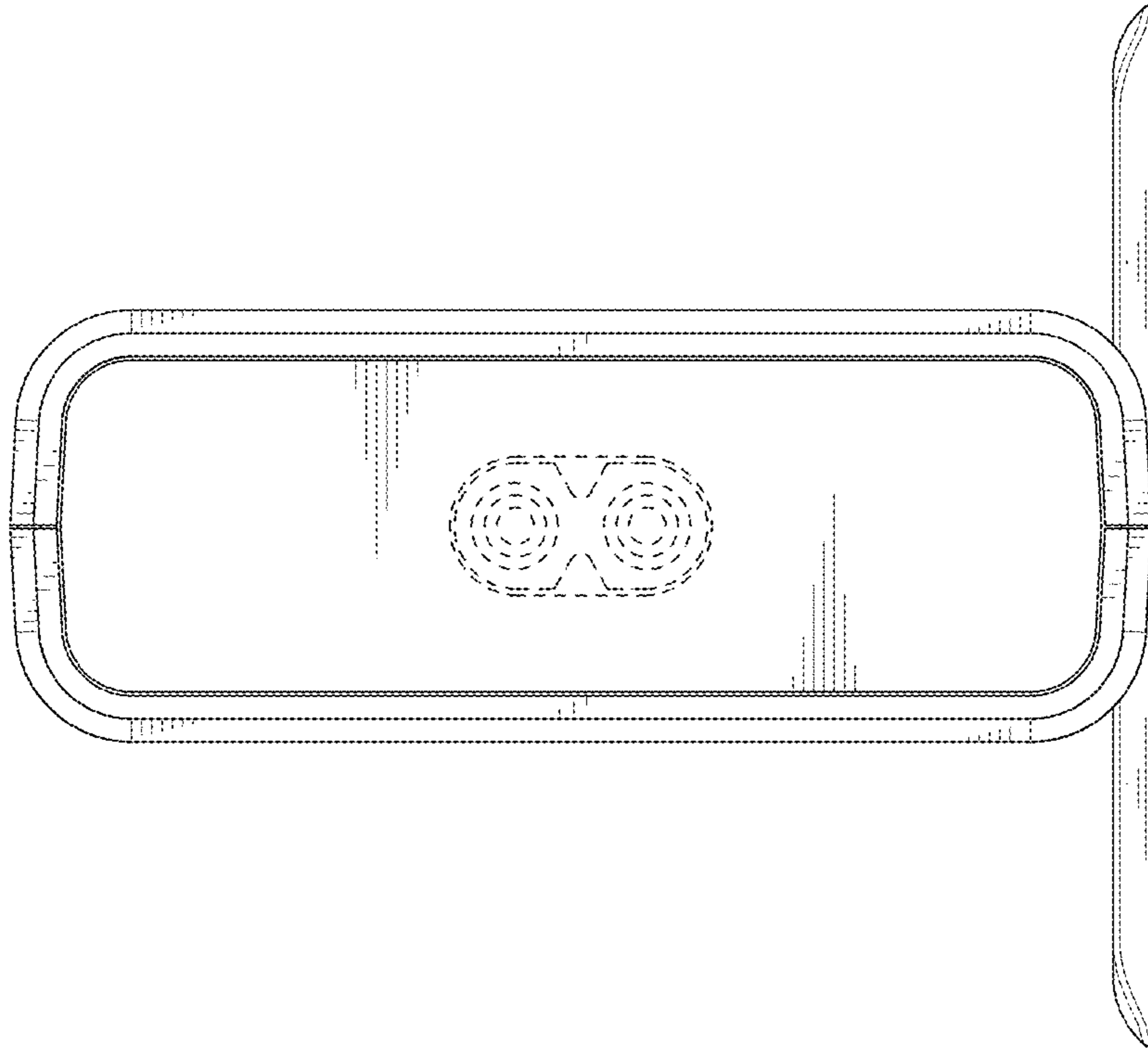


FIG. 4

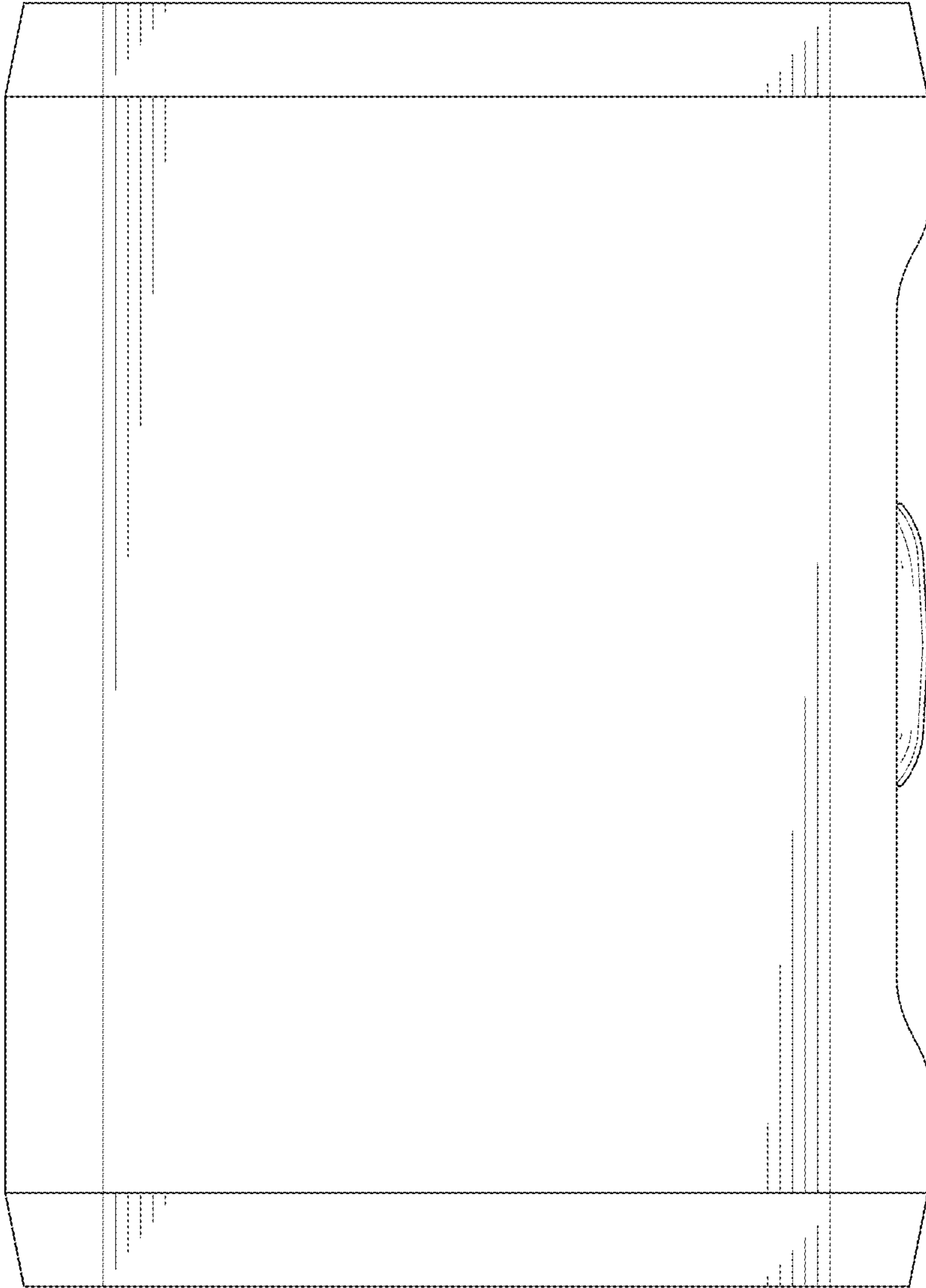


FIG. 5

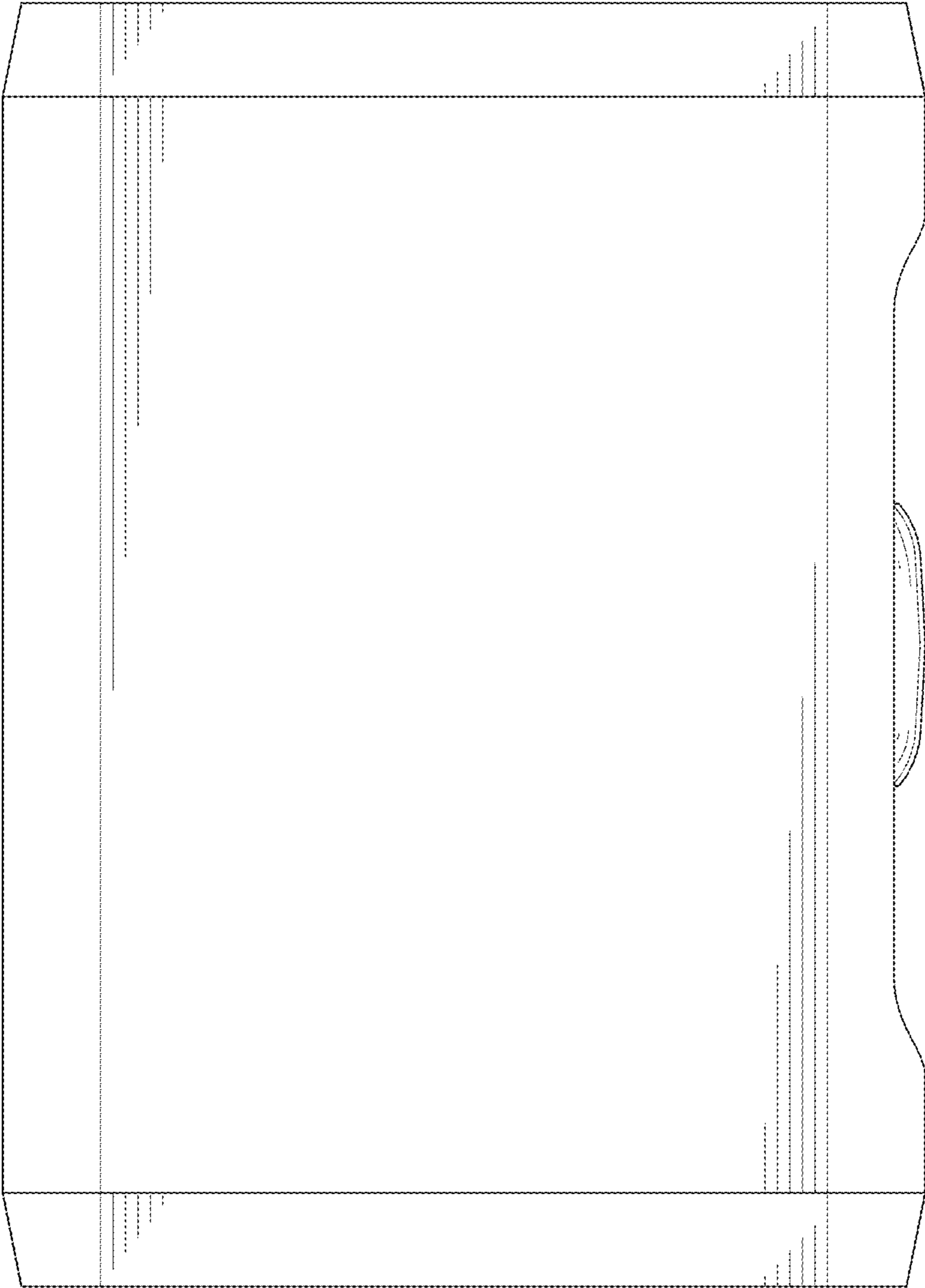


FIG. 6

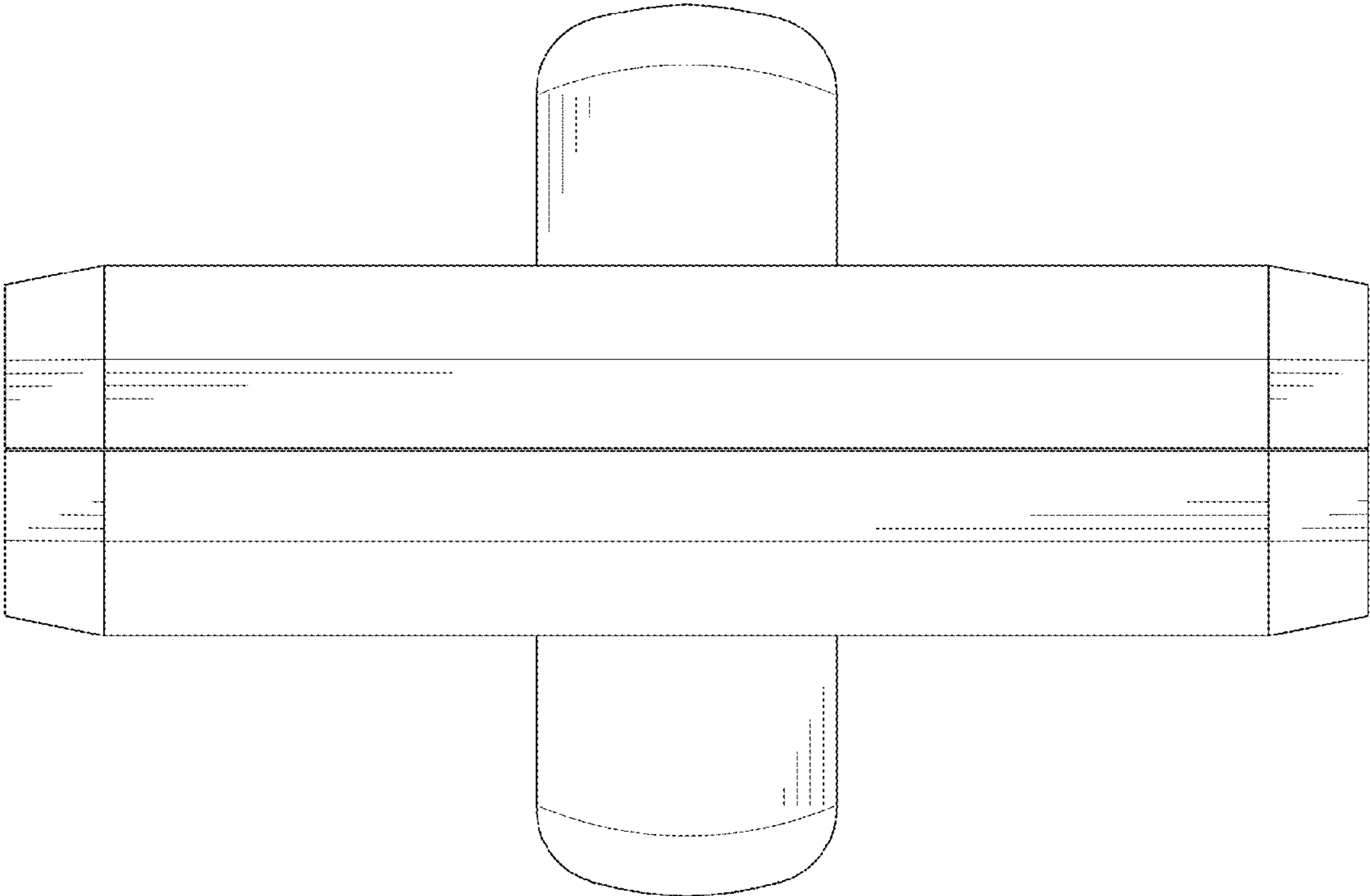


FIG. 7

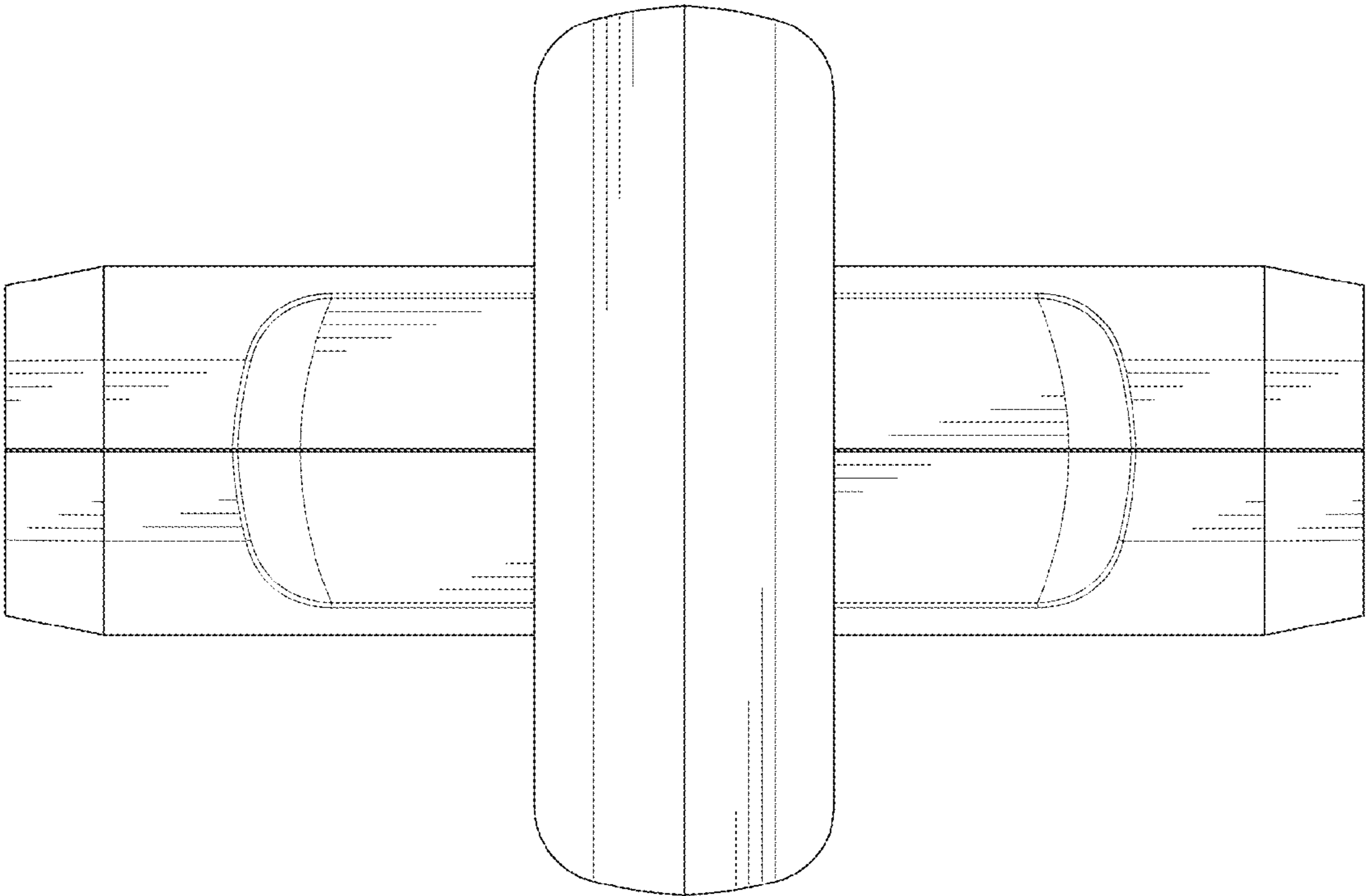


FIG. 8

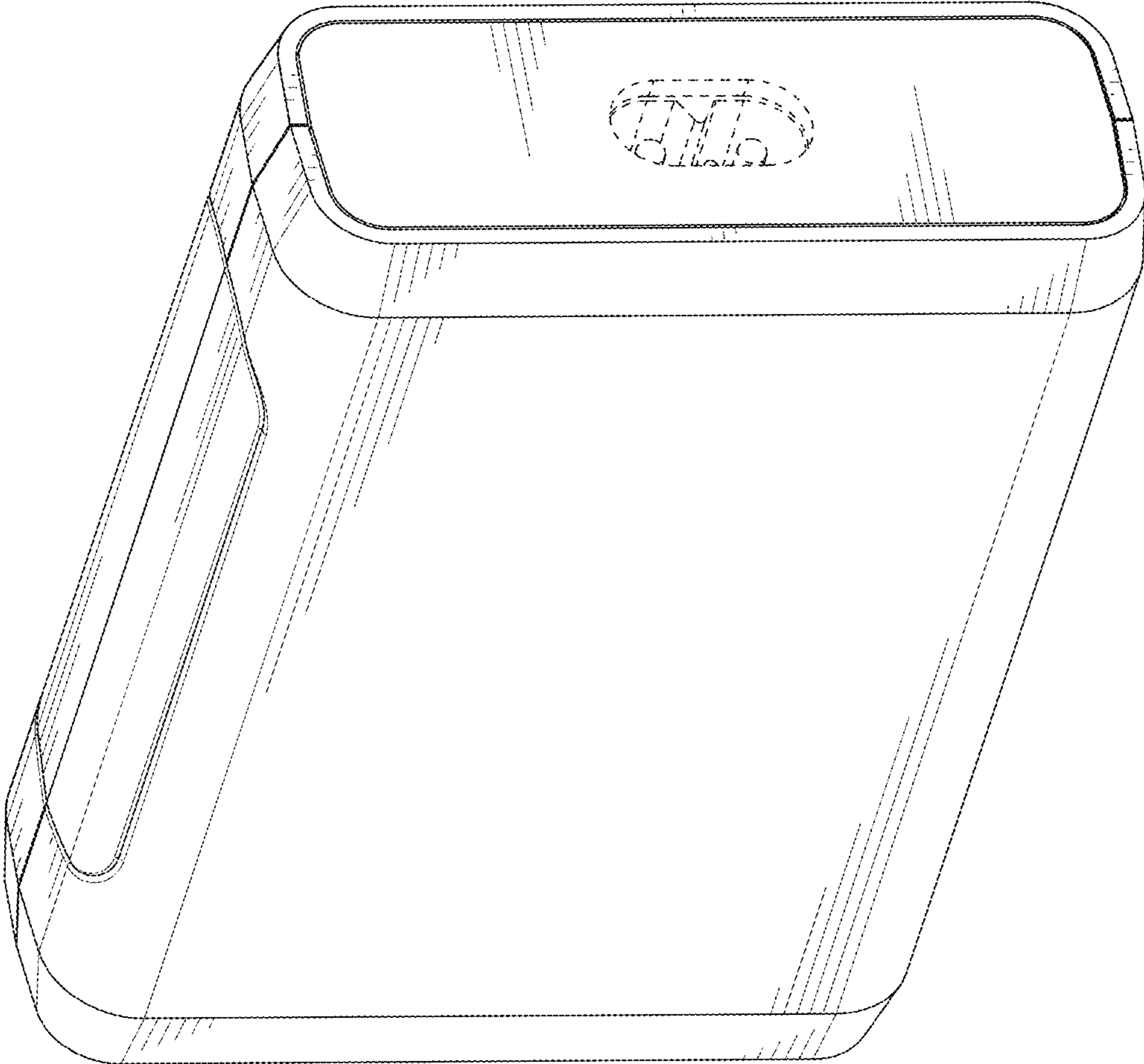


FIG. 9