



US00D911270S

(12) **United States Design Patent** (10) **Patent No.:** **US D911,270 S**
Li (45) **Date of Patent:** **** Feb. 23, 2021**

(54) **BATTERY**

(71) Applicant: **GETAC TECHNOLOGY CORPORATION**, Hsinchu County (TW)

(72) Inventor: **Chun-Hsing Li**, Taipei (TW)

(73) Assignee: **GETAC TECHNOLOGY CORPORATION**, Hsinchu County (TW)

(**) Term: **15 Years**

(21) Appl. No.: **29/690,516**

(22) Filed: **May 8, 2019**

(51) **LOC (13) Cl.** **13-02**

(52) **U.S. Cl.**
USPC **D13/103**

(58) **Field of Classification Search**
USPC D13/102–108, 110, 118, 119, 184, 199, D13/154, 156

CPC Y02E 60/10; Y02E 60/12; Y02E 60/122; Y02E 60/124; Y02E 60/50; H01M 2/02; H01M 2/022; H01M 2/0202; H01M 2/0207; H01M 2/0212; H01M 2/1061; H01M 2/1022; H01M 2/1055; H01M 2/1066; H01M 2/105; H01M 2/20; H01M 2/202; H01M 2/204; H01M 2/206; H01M 10/44; H01M 10/46; H01M 10/465; H01M 10/482; H01M 10/4257; H01M 10/0436; H01M 10/48; H01M 2200/30; H01M 2250/30; H01M 2250/40; H02J 7/00; H02J 7/0003; H02J 7/0011; H02J 7/0013; H02J 7/0054; H02J 7/0055; H02J 7/0057; H02J 2007/0062; H02G 15/18; H02G 15/1826; H01R 13/516; H01R 13/518; H01R 13/52; H01R 13/46; H01R 13/50; H01R 13/506; H01R 13/5213

See application file for complete search history.

(56) **References Cited**

U.S. PATENT DOCUMENTS

D552,029 S *	10/2007	Kingston	D13/108
D637,552 S *	5/2011	Inman	D13/103
D757,650 S *	5/2016	Faust	D13/110
D759,586 S *	6/2016	Swett	D13/103
D826,855 S *	8/2018	Xu	D13/110
D849,680 S *	5/2019	Nakashima	D13/103
D855,018 S *	7/2019	Gan	D13/103
D875,044 S *	2/2020	Chen	D13/110
D882,510 S *	4/2020	Theis	D13/103
D884,611 S *	5/2020	Baxter	D13/107
D886,046 S *	6/2020	Lim	D13/103
D887,968 S *	6/2020	Ebisawa	D13/103
D887,970 S *	6/2020	Himeno	D13/103

(Continued)

Primary Examiner — Christy Nemeth

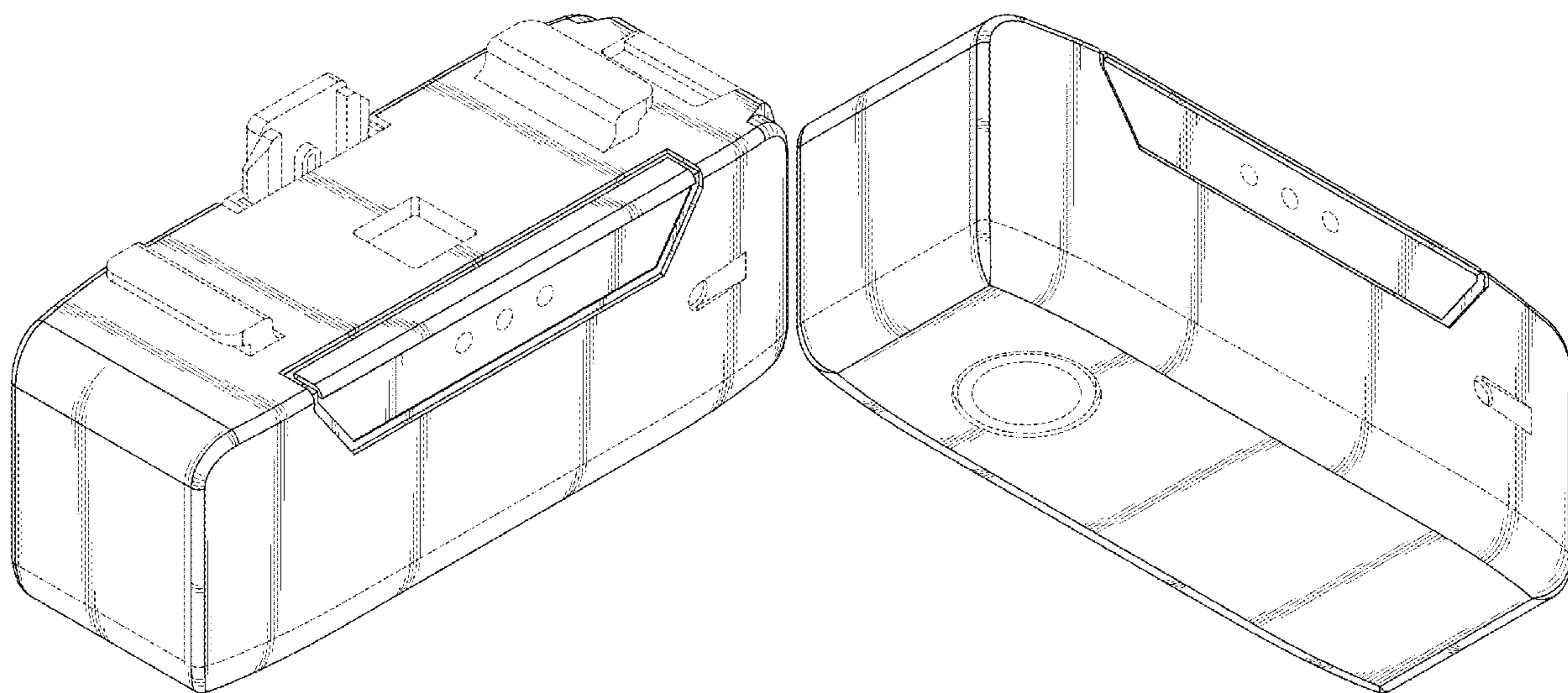
(57) **CLAIM**

The ornamental design for a battery, as shown and described.

DESCRIPTION

FIG. 1 is a top, front and right side perspective view of a battery showing my new design;
FIG. 2 is a top, front and left side perspective view thereof;
FIG. 3 is a bottom, front and left side perspective view thereof;
FIG. 4 is a bottom, rear and right side perspective view thereof;
FIG. 5 is a front view thereof;
FIG. 6 is a rear view thereof;
FIG. 7 is a left side view thereof;
FIG. 8 is a right side view thereof;
FIG. 9 is a top view thereof; and,
FIG. 10 is a bottom view thereof.
The dashed lines illustrate environmental structure and form no part of the claimed design.

1 Claim, 7 Drawing Sheets



(56)

References Cited

U.S. PATENT DOCUMENTS

D890,093 S * 7/2020 He D13/110
D890,096 S * 7/2020 Brendel D13/110

* cited by examiner

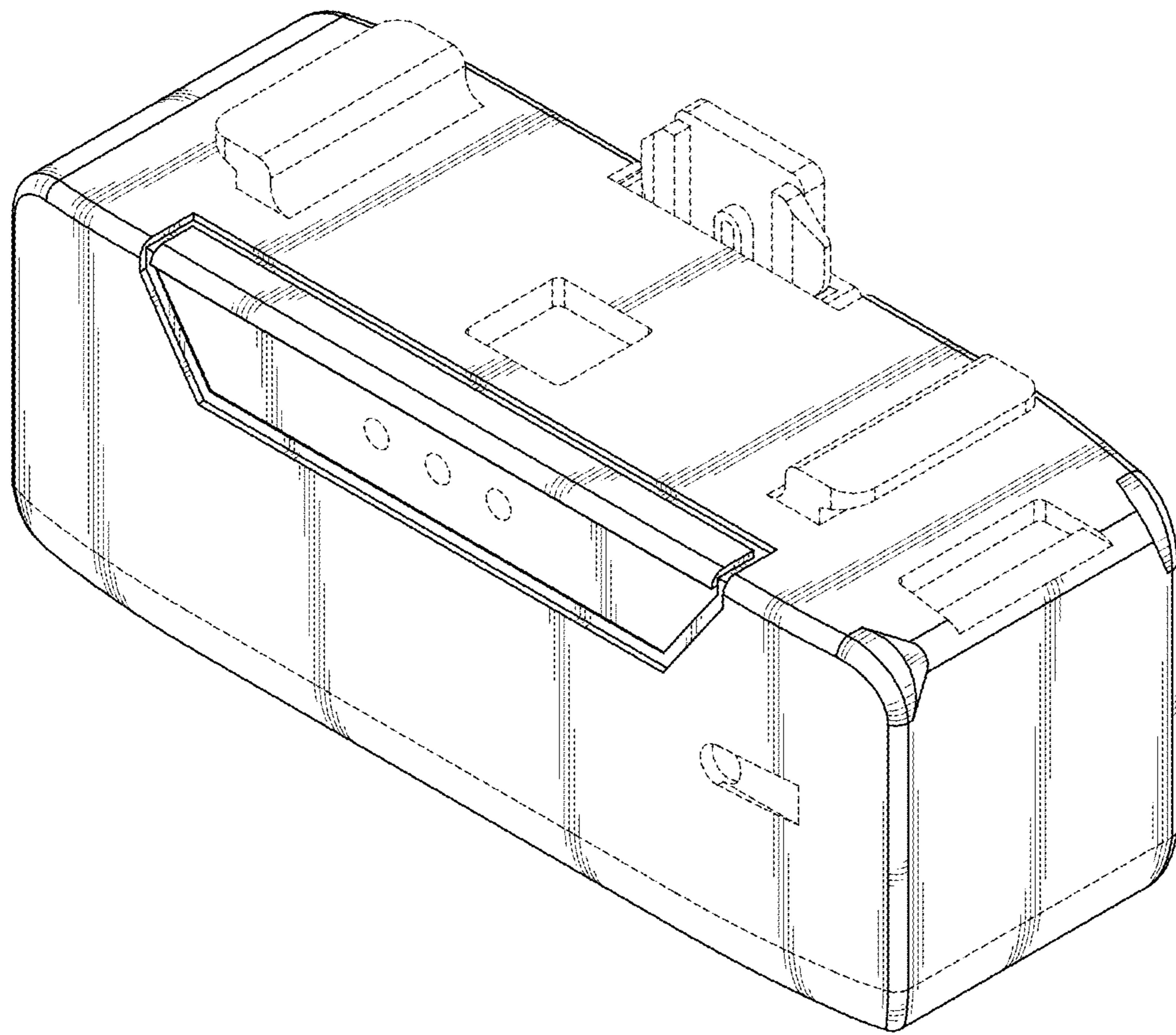


FIG. 1

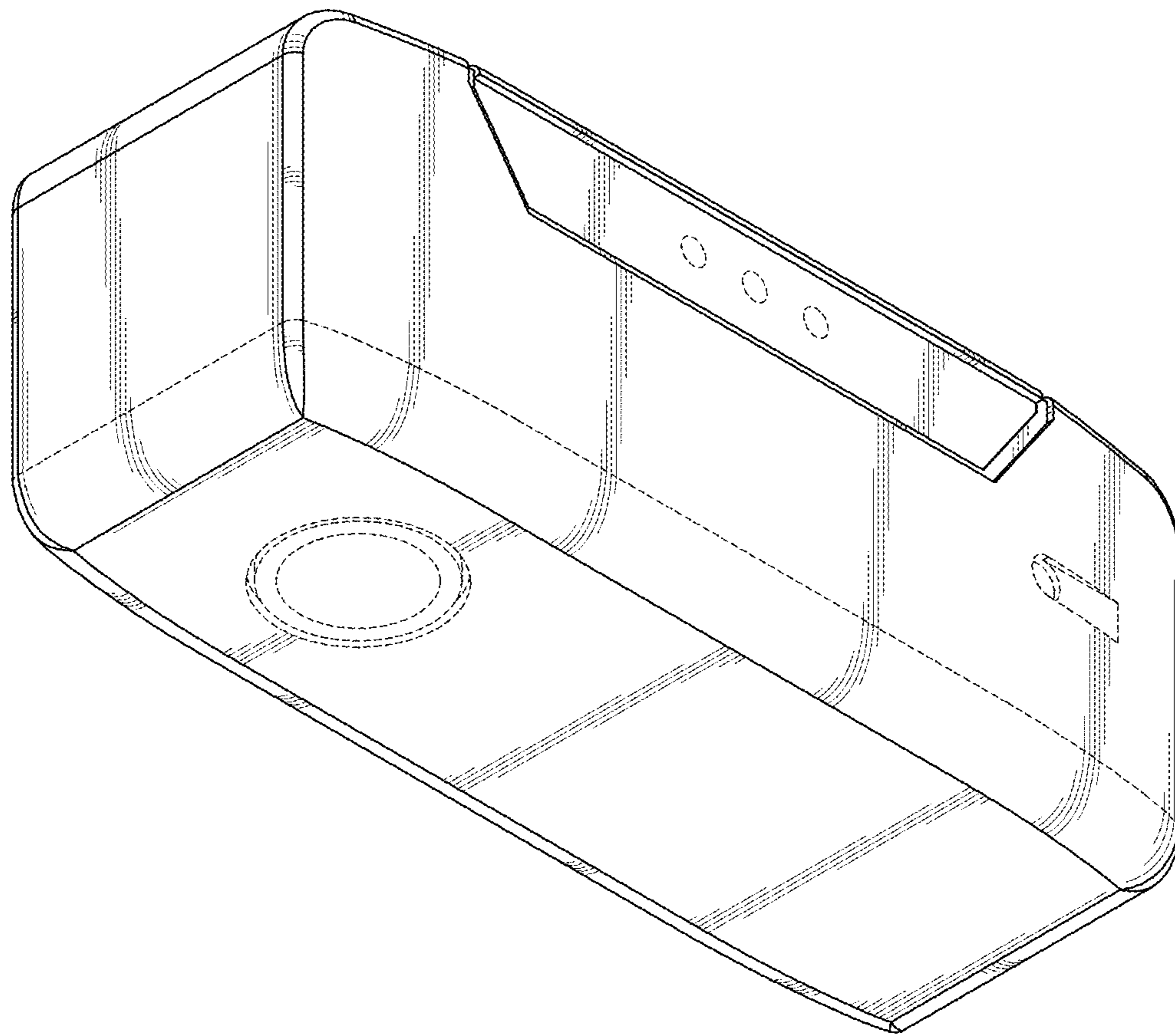


FIG. 3

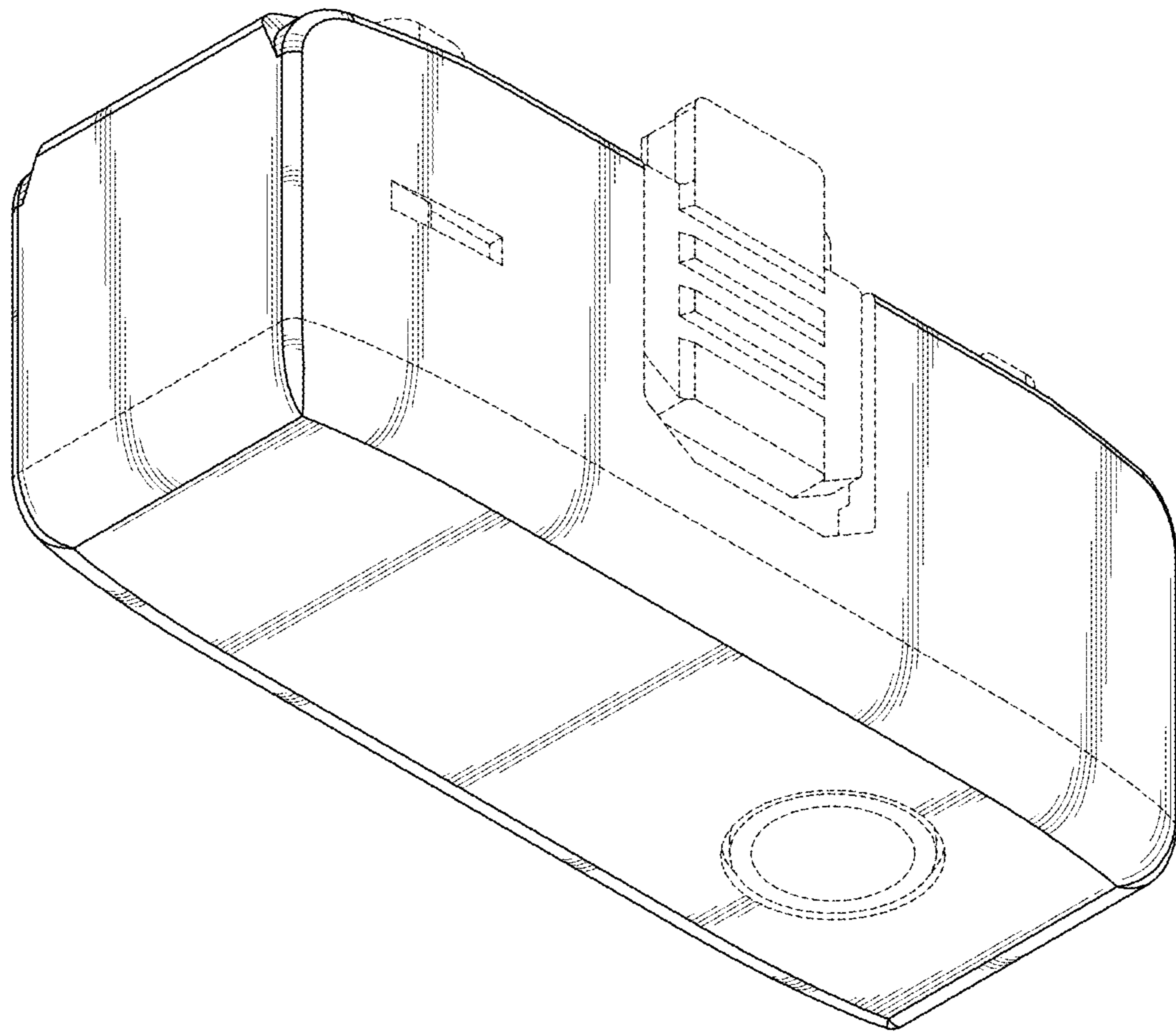


FIG. 4

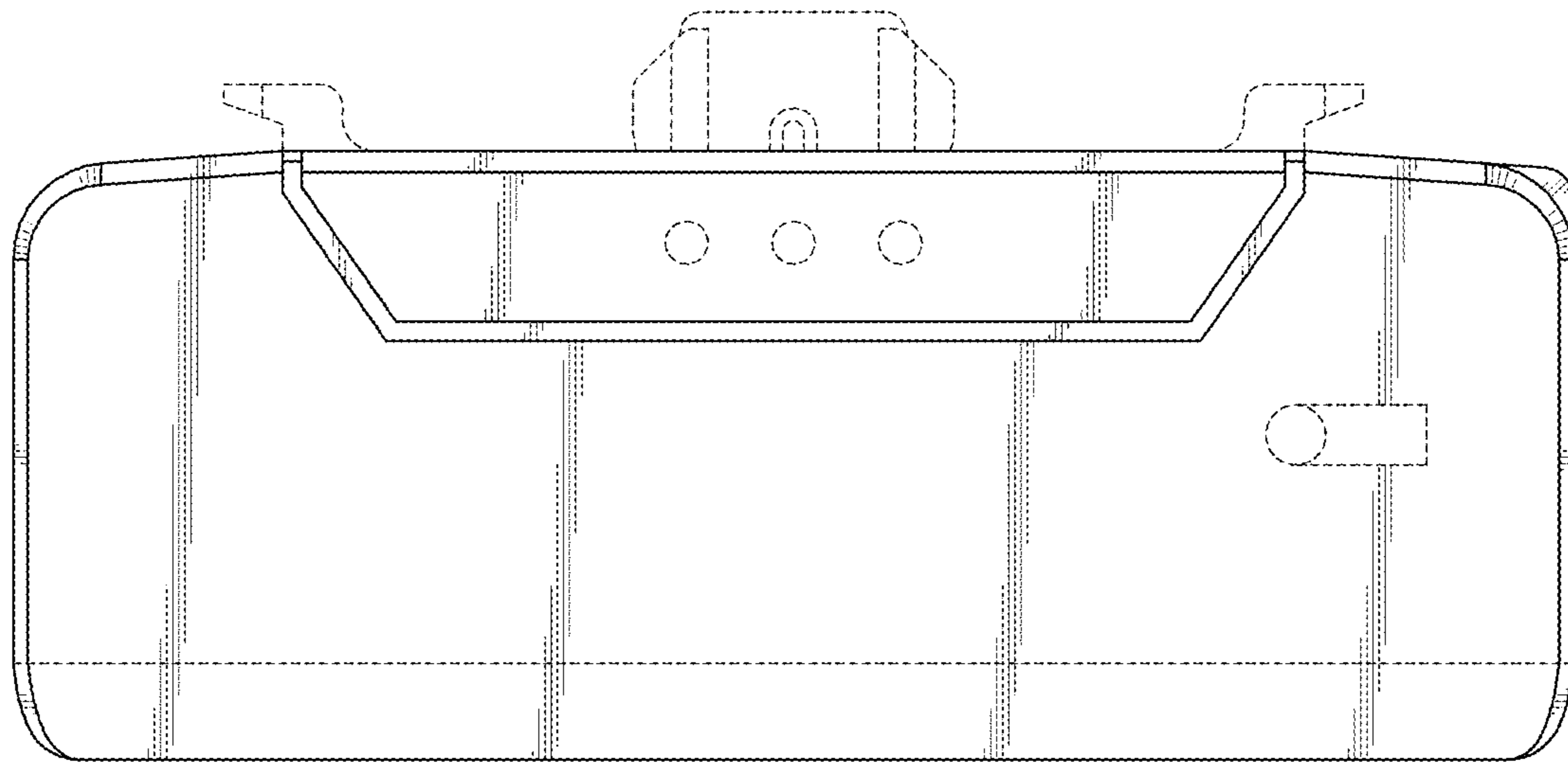


FIG. 5

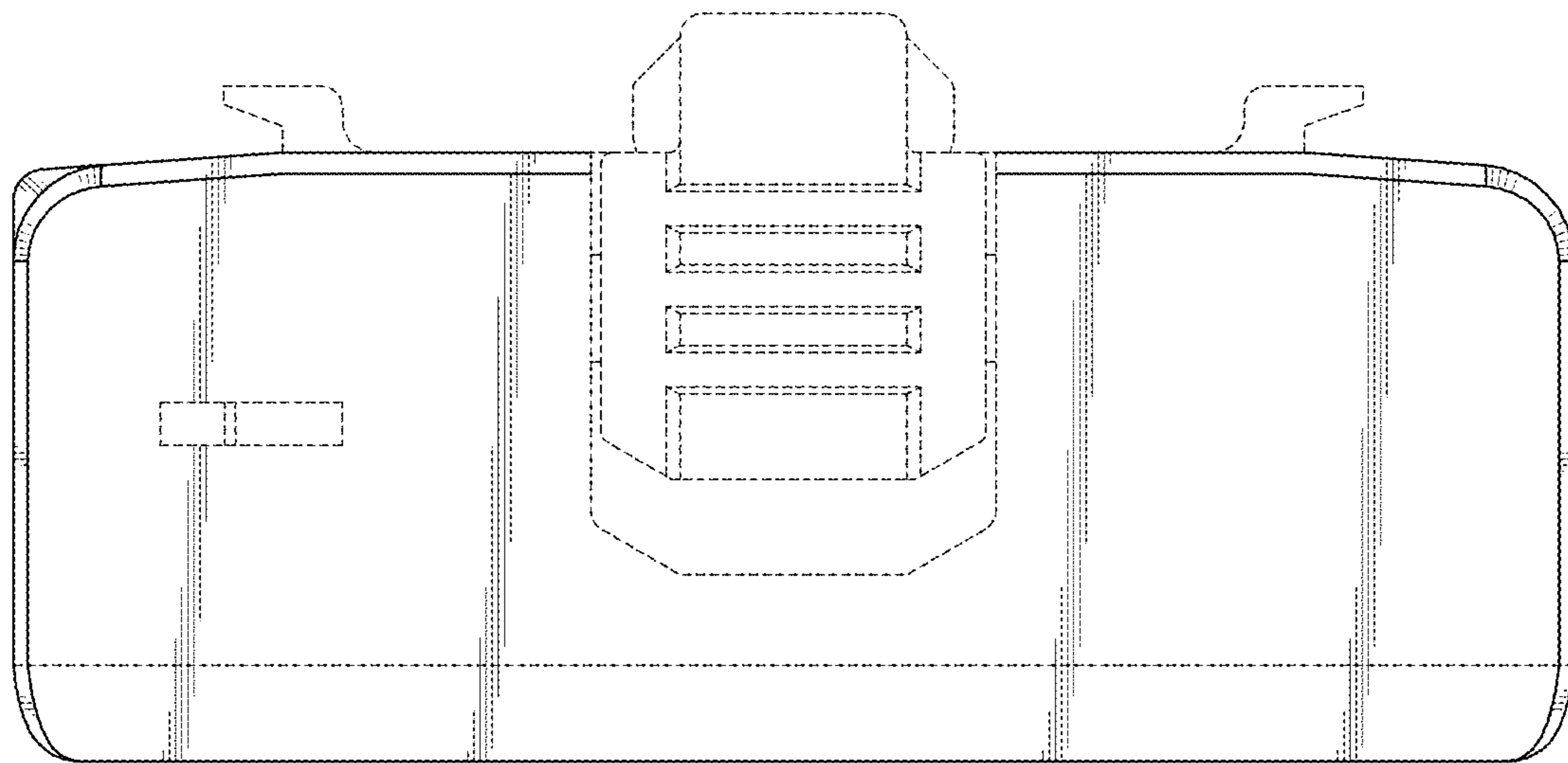


FIG. 6

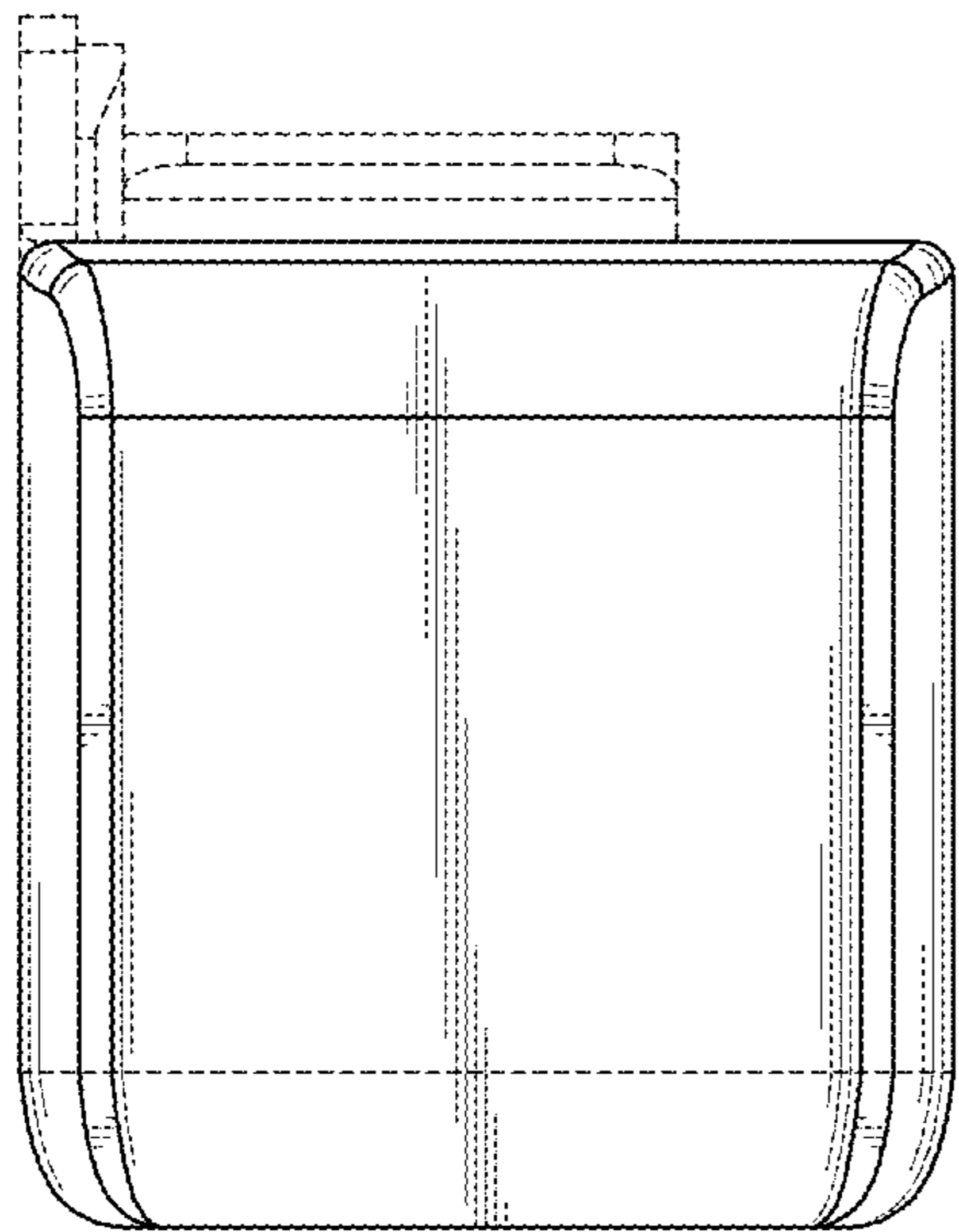


FIG. 7

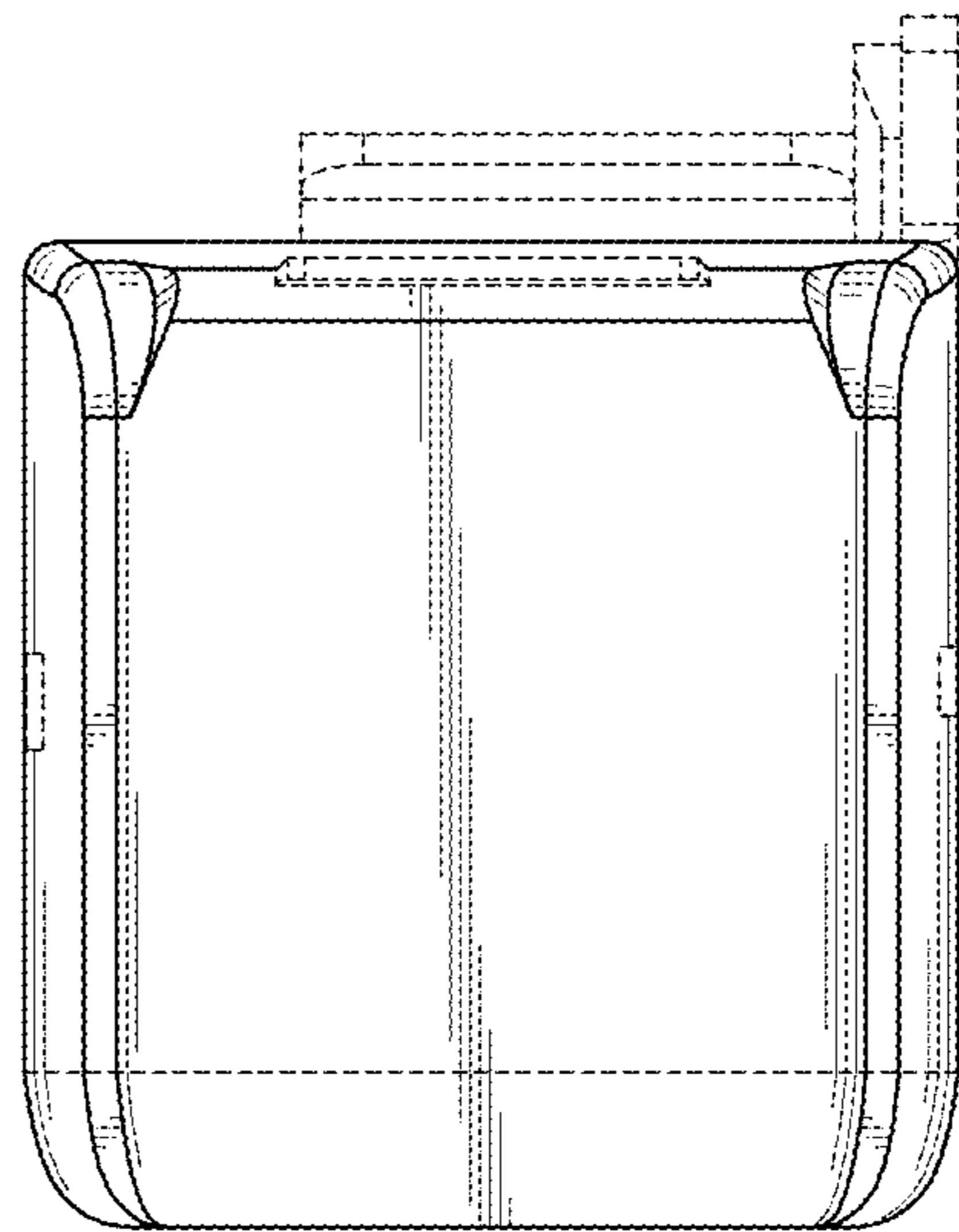


FIG. 8

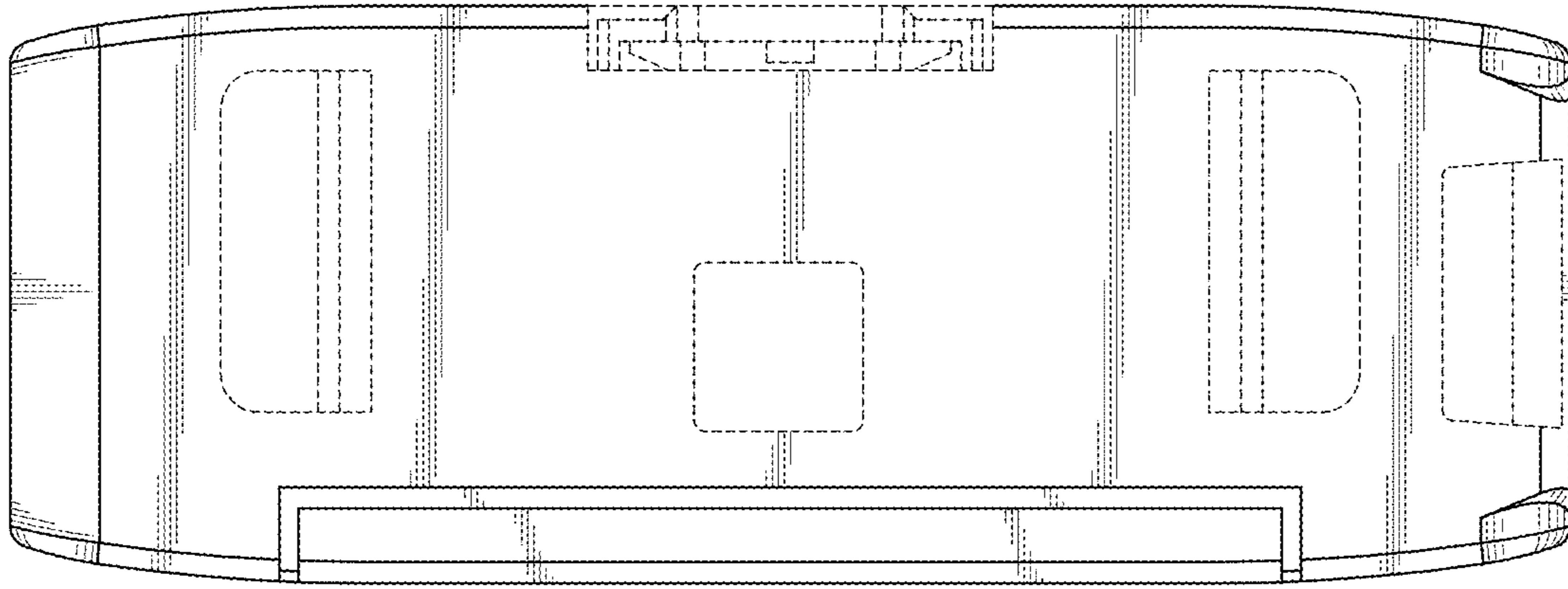


FIG. 9

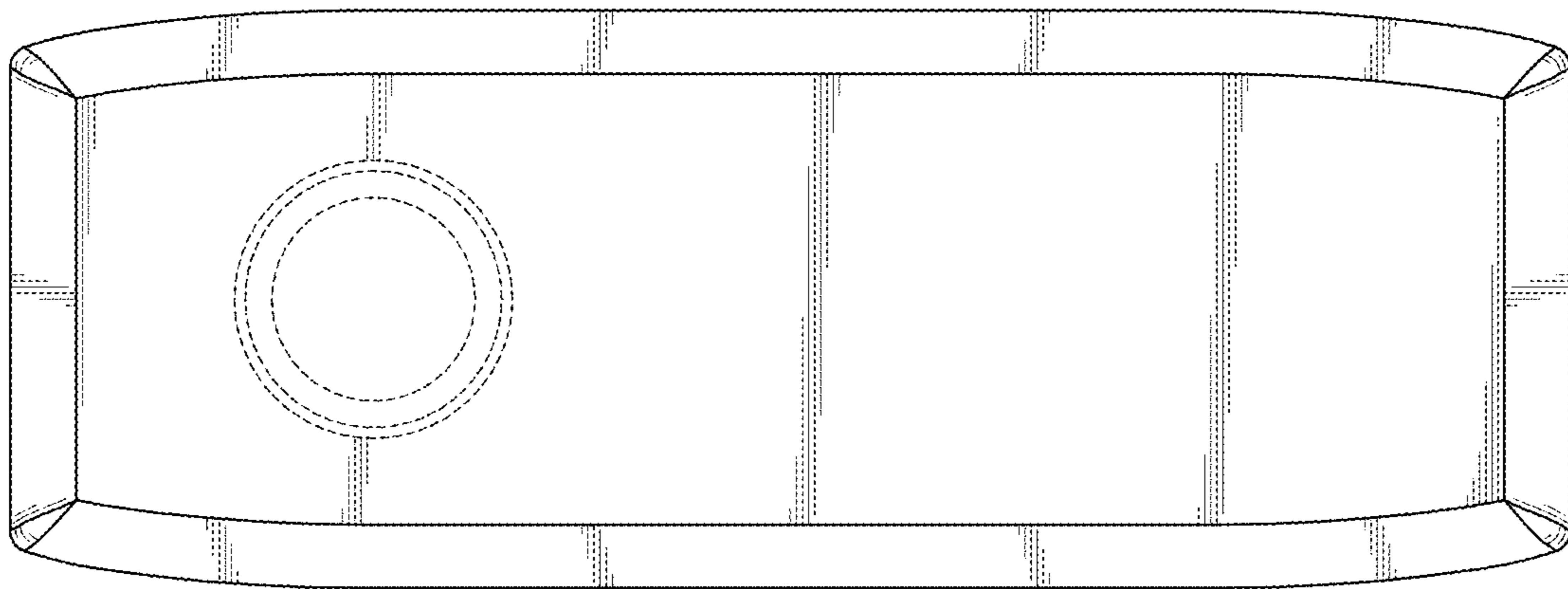


FIG. 10