



US00D911269S

(12) **United States Design Patent** (10) **Patent No.:** **US D911,269 S**  
**Matteo** (45) **Date of Patent:** **\*\* Feb. 23, 2021**

- (54) **BATTERY**
- (71) Applicant: **Harbor Freight Tools USA, Inc.**,  
Calabasas, CA (US)
- (72) Inventor: **Michael Matteo**, Los Angeles, CA (US)
- (73) Assignee: **Harbor Freight Tools USA, INC.**,  
Calabasas, CA (US)
- (\*\*) Term: **15 Years**
- (21) Appl. No.: **29/688,123**
- (22) Filed: **Apr. 18, 2019**
- (51) **LOC (13) Cl.** ..... **13-02**
- (52) **U.S. Cl.**  
USPC ..... **D13/103**
- (58) **Field of Classification Search**  
USPC ..... D13/102–106, 110, 118–119, 184  
CPC ..... Y02E 60/12; Y02E 60/122; Y02E 60/124;  
Y02E 60/50; H01M 2/02; H01M 2/022;  
H01M 2/0202; H01M 2/0207; H01M  
2/0212; H01M 2/1061; H01M 2/1022;  
H01M 2/1055; H01M 2/1066; H01M  
2/105; H01M 2/204; H01M 2/1016;  
H01M 2200/00; H01M 10/4257; H01M  
10/0436; H01M 10/48; H01M 10/42  
See application file for complete search history.

- (56) **References Cited**  
U.S. PATENT DOCUMENTS
- |              |         |                 |
|--------------|---------|-----------------|
| D436,917 S   | 1/2001  | Hayakawa et al. |
| 6,729,413 B2 | 5/2004  | Turner et al.   |
| D516,504 S   | 3/2006  | Okuda et al.    |
| D545,759 S   | 7/2007  | Ino et al.      |
| D550,152 S   | 9/2007  | Okuda et al.    |
| D555,086 S   | 11/2007 | Zhang           |
| D589,439 S   | 3/2009  | Van Wambeke     |
| D589,440 S   | 3/2009  | Van Wambeke     |

- |              |         |               |         |
|--------------|---------|---------------|---------|
| D597,931 S   | 8/2009  | Aglassinger   |         |
| D597,932 S   | 8/2009  | Aglassinger   |         |
| D597,933 S   | 8/2009  | Aglassinger   |         |
| 7,661,486 B2 | 2/2010  | Turner et al. |         |
| D640,628 S   | 6/2011  | Lopano et al. |         |
| D640,975 S * | 7/2011  | Okuda         | D13/103 |
| D658,578 S * | 5/2012  | Davis         | D13/103 |
| 8,181,717 B2 | 5/2012  | Turner et al. |         |
| 8,312,937 B2 | 11/2012 | Turner et al. |         |
| D684,528 S * | 6/2013  | Murray        | D13/103 |
| D685,730 S * | 7/2013  | Hamm          | D13/103 |
| 8,573,324 B2 | 11/2013 | Turner et al. |         |
| D770,377 S * | 11/2016 | Kondo         | D13/103 |
| D844,558 S * | 4/2019  | Taniguchi     | D13/103 |
| D849,681 S   | 5/2019  | Howell        |         |
| D881,119 S * | 4/2020  | Elder         | D13/103 |
| D884,600 S * | 5/2020  | Zhou          | D13/103 |
| D884,601 S * | 5/2020  | Zhou          | D13/103 |

(Continued)

*Primary Examiner* — Nathaniel D. Buckner  
(74) *Attorney, Agent, or Firm* — McAndrews Held & Malloy, Ltd.

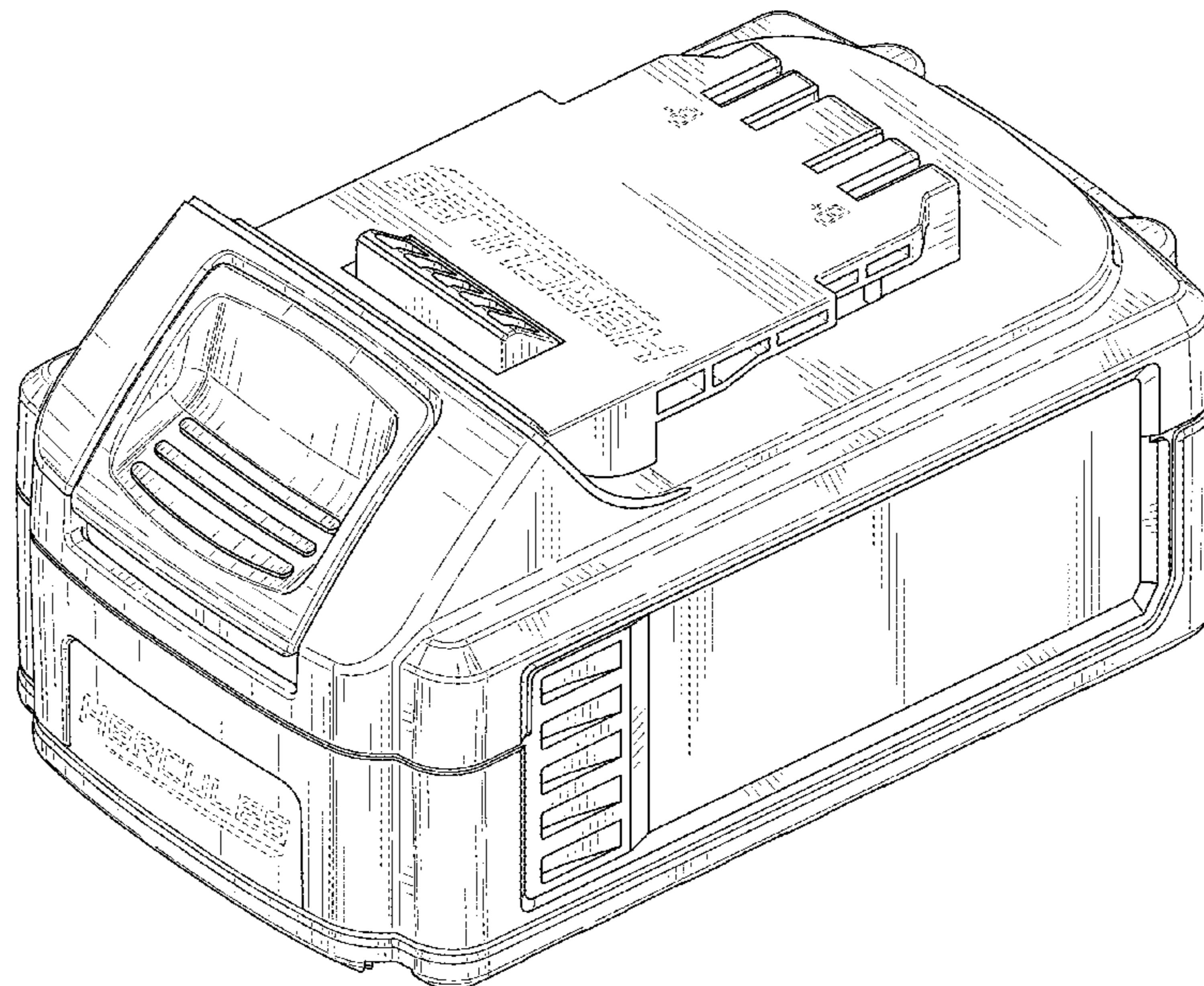
(57) **CLAIM**

The ornamental design for a battery, as shown and described.

**DESCRIPTION**

FIG. 1 is a front-top perspective view of a battery showing my new design;  
FIG. 2 is a rear-top perspective view thereof;  
FIG. 3 is a rear elevation view thereof;  
FIG. 4 is a front elevation view thereof;  
FIG. 5 is a left side elevation view thereof;  
FIG. 6 is a right side elevation view thereof;  
FIG. 7 is a top plan view thereof;  
FIG. 8 is a bottom plan view thereof; and,  
FIG. 9 is a front-bottom perspective view thereof.  
The dashed broken lines in the figures illustrate portions of the battery that form no part of the claimed design.

**1 Claim, 9 Drawing Sheets**



(56)

**References Cited**

U.S. PATENT DOCUMENTS

D890,692 S \* 7/2020 Elder ..... D13/103  
D894,120 S \* 8/2020 Timm ..... D13/103  
D898,662 S \* 10/2020 Waldron ..... D13/103  
2018/0331335 A1 \* 11/2018 Klee ..... H01M 2/1066

\* cited by examiner

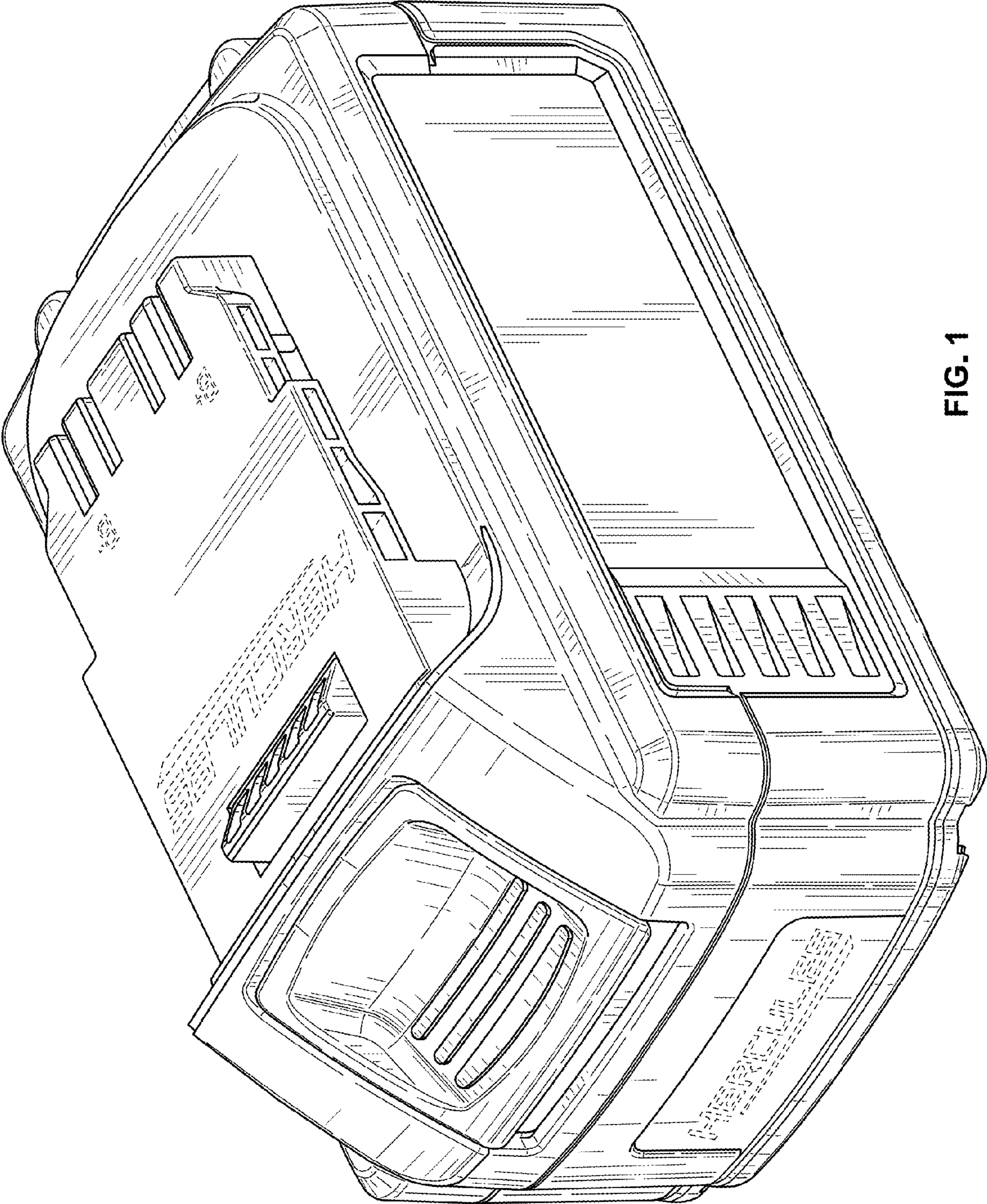


FIG. 1

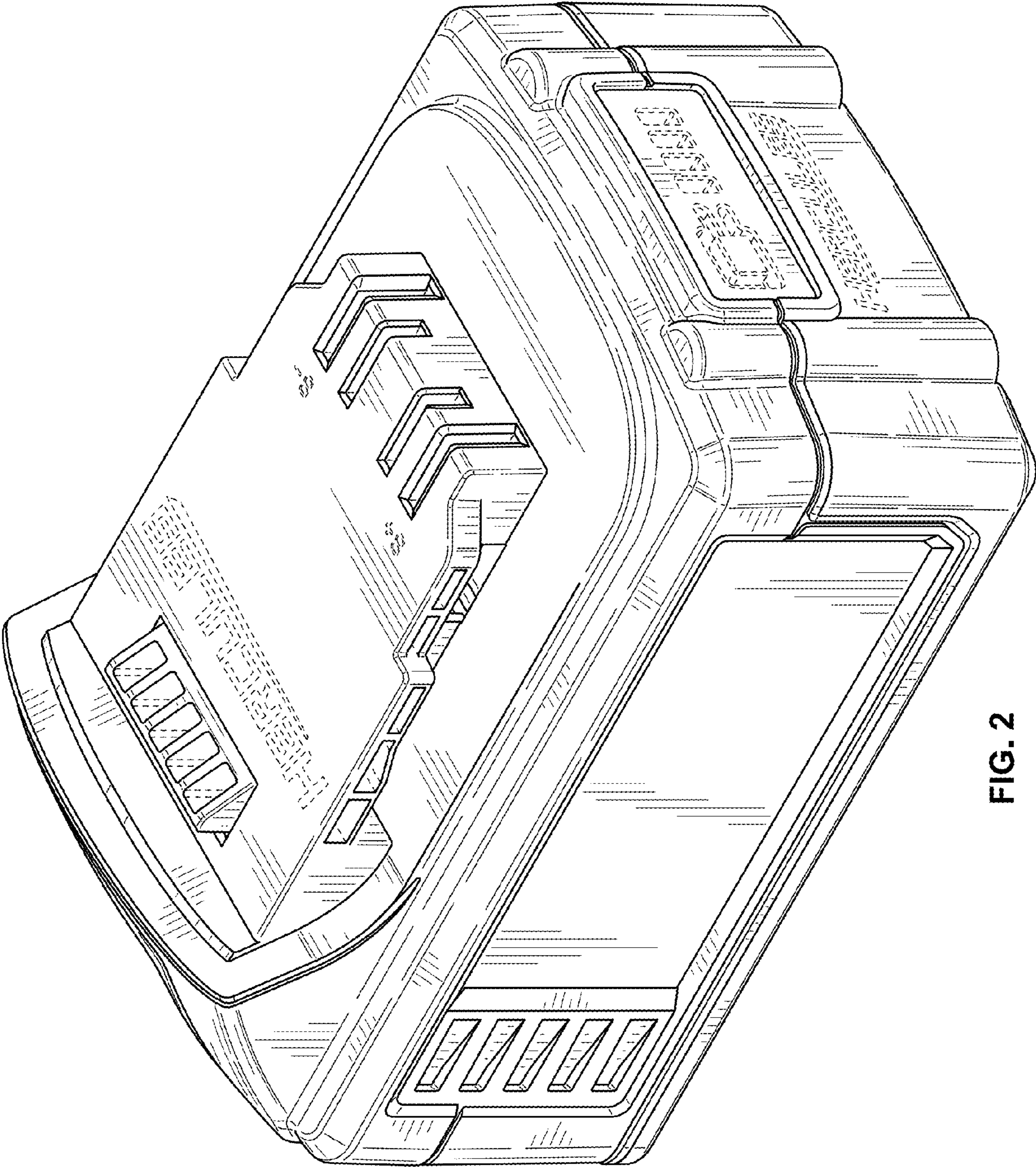


FIG. 2

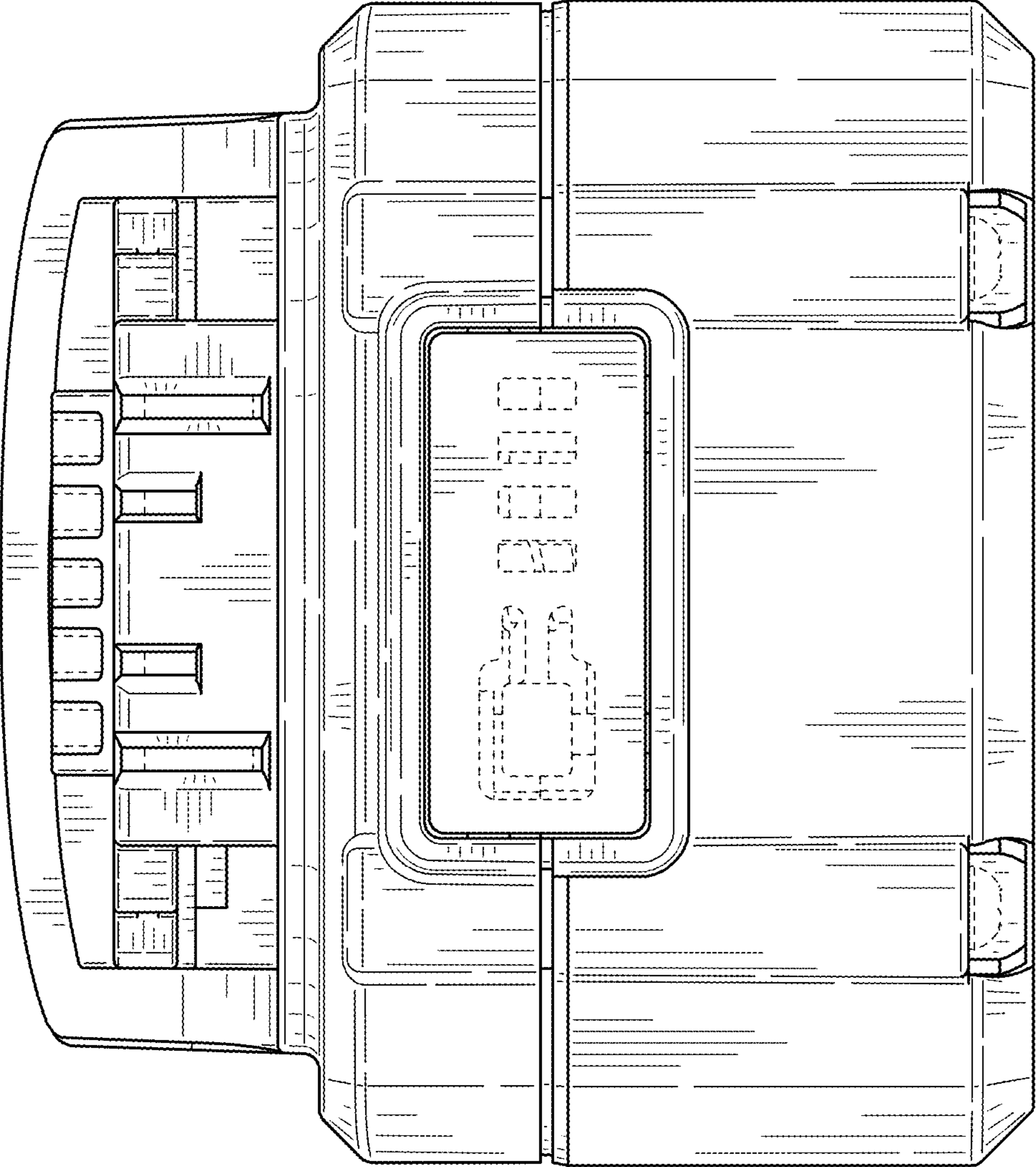


FIG. 3

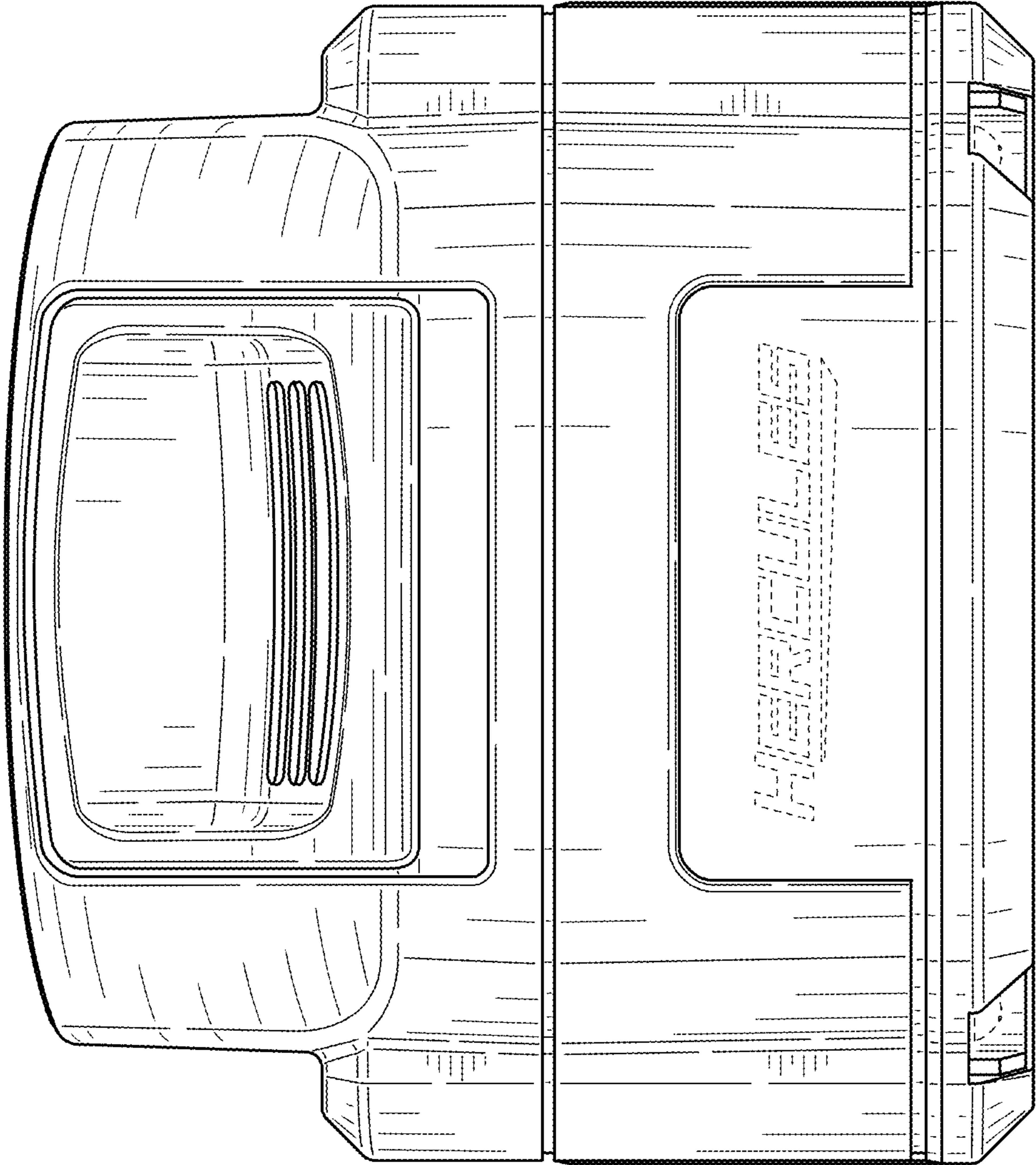


FIG. 4

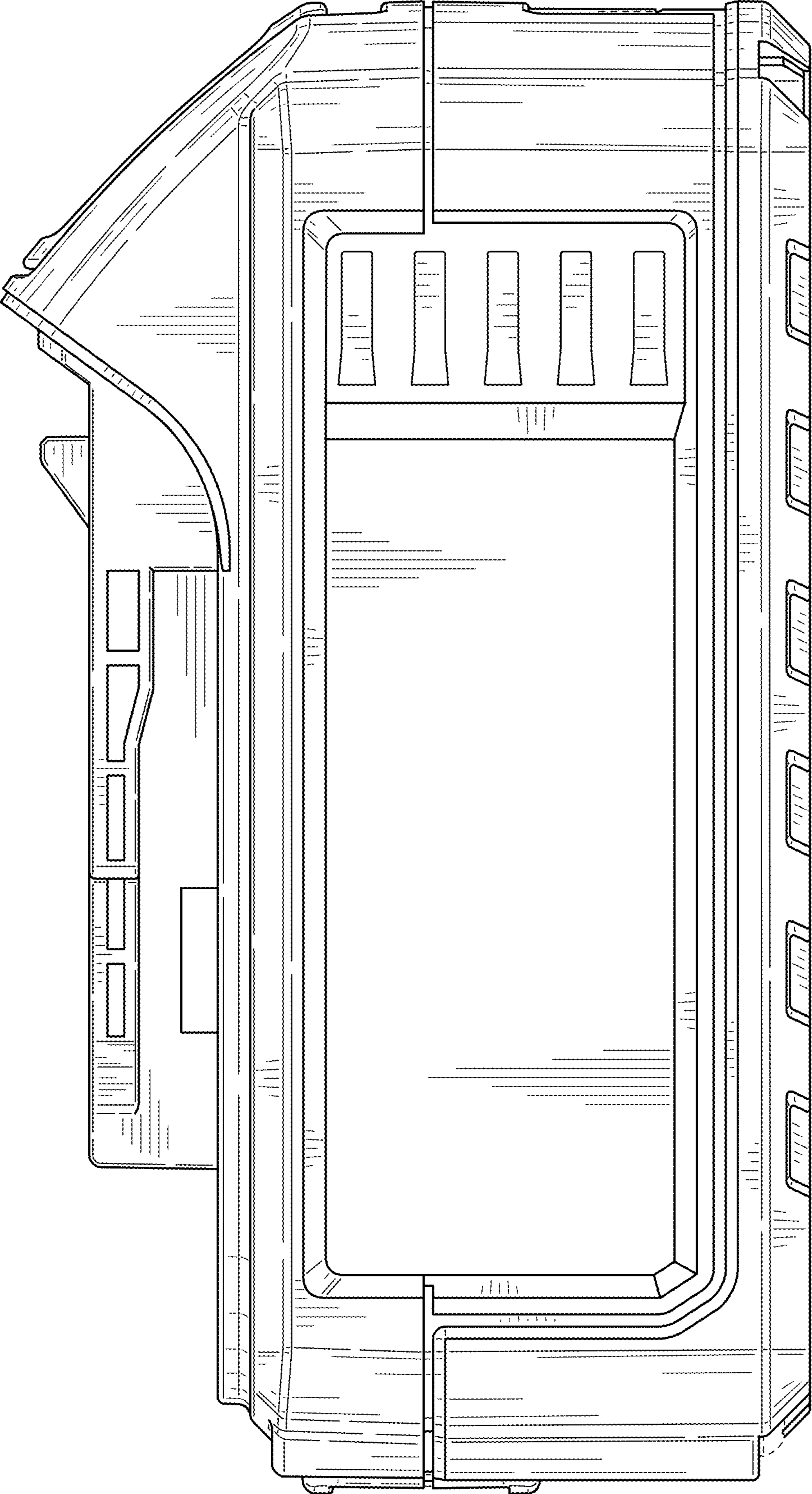


FIG. 5

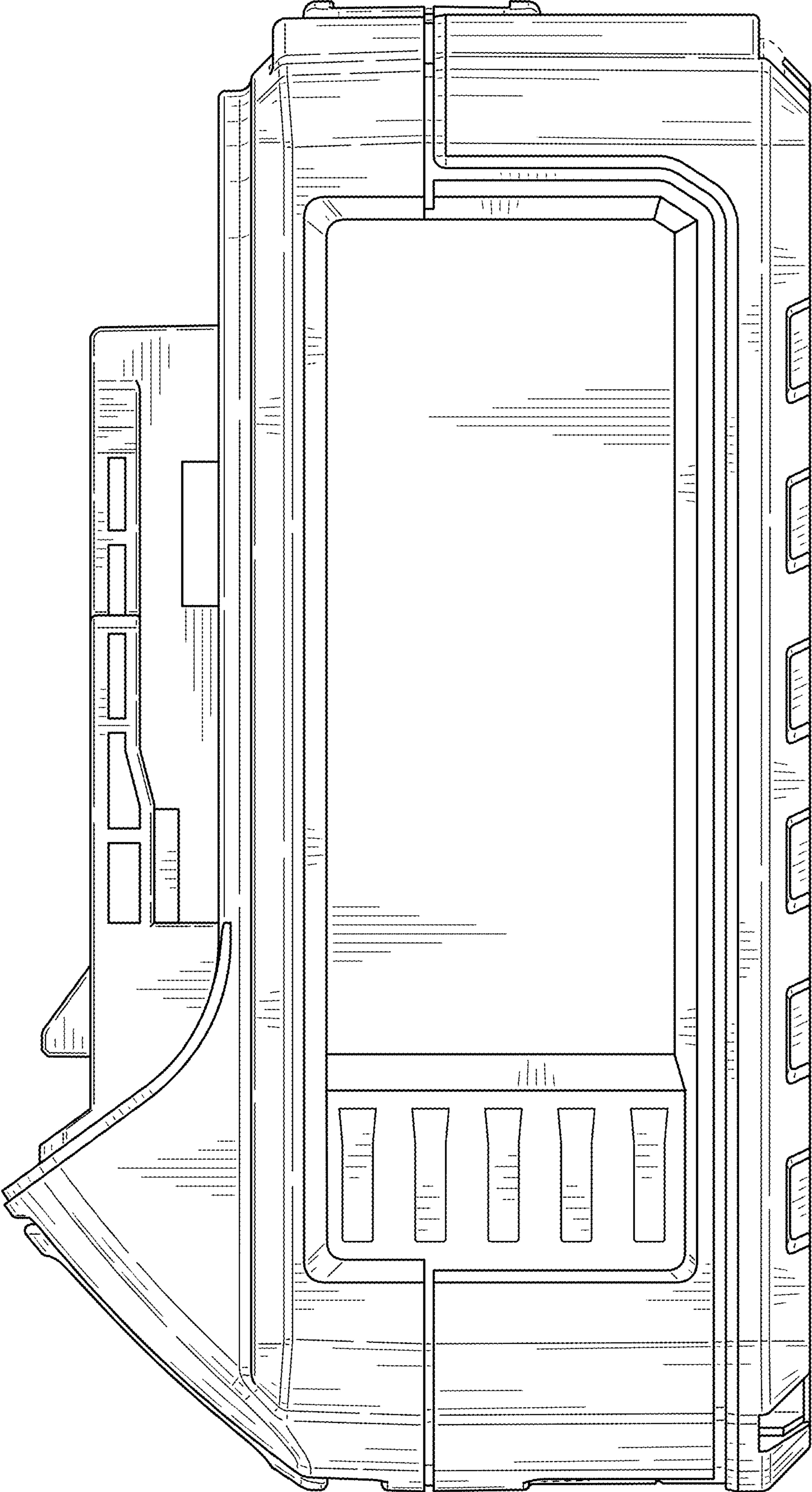


FIG. 6



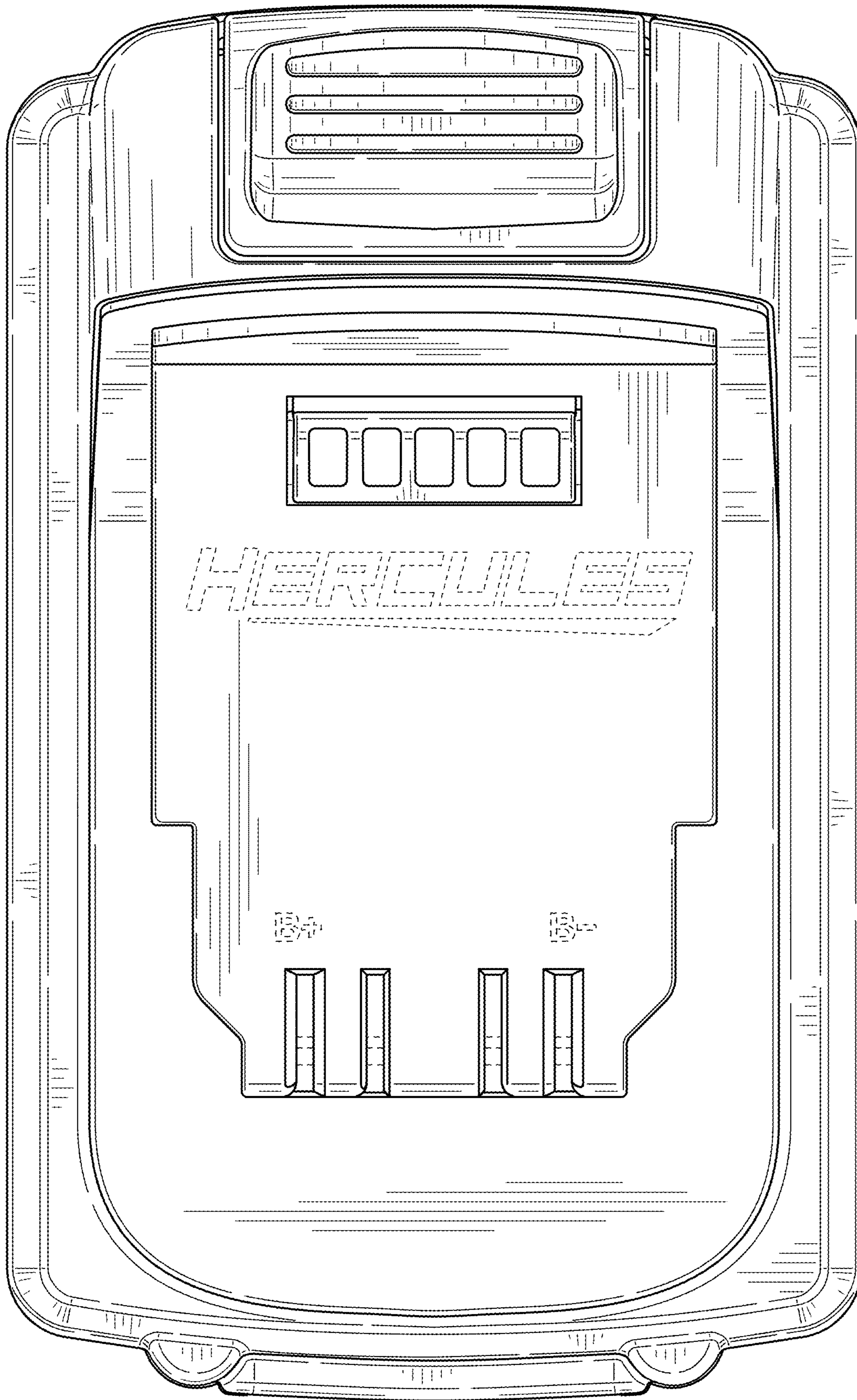


FIG. 7

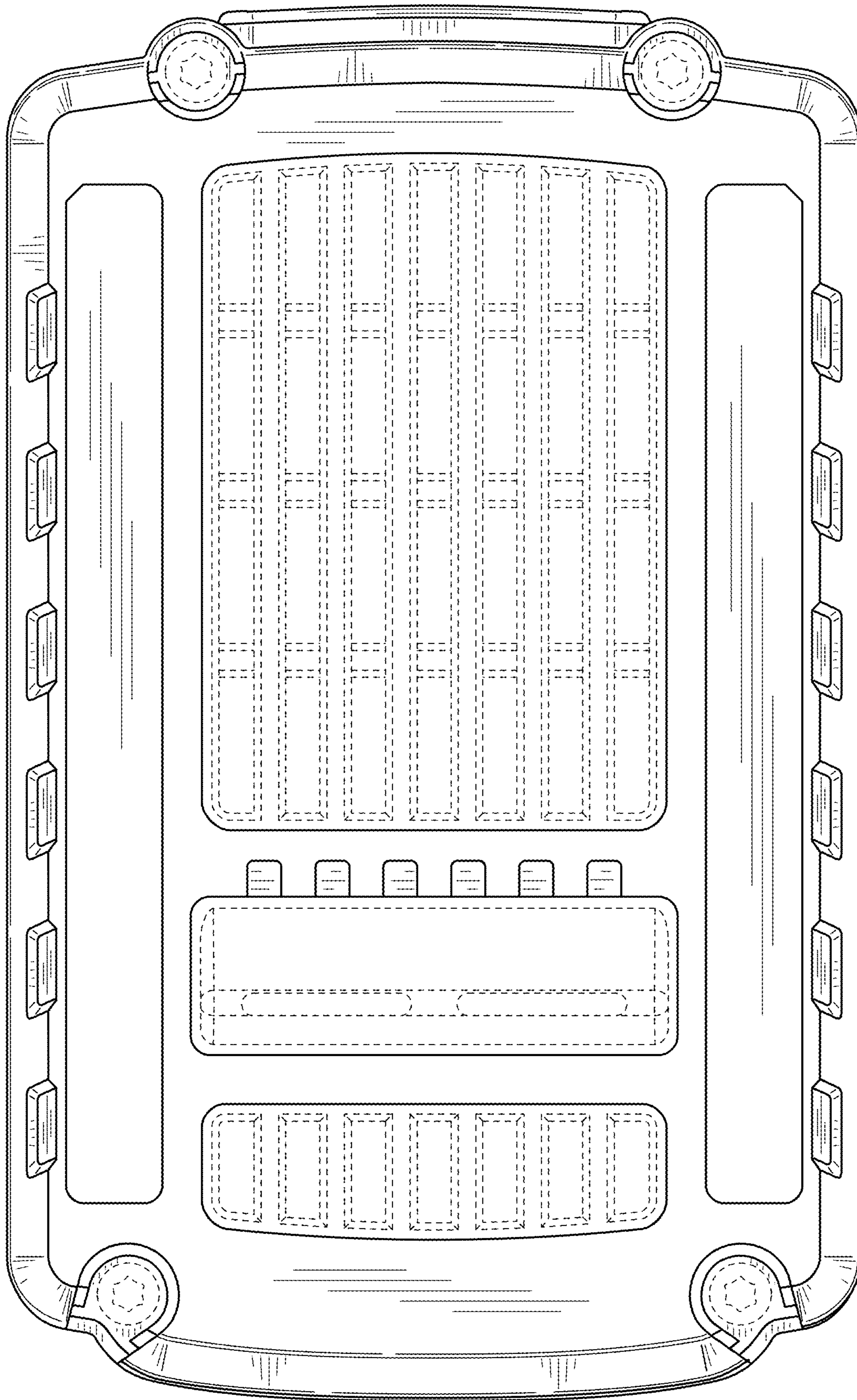


FIG. 8

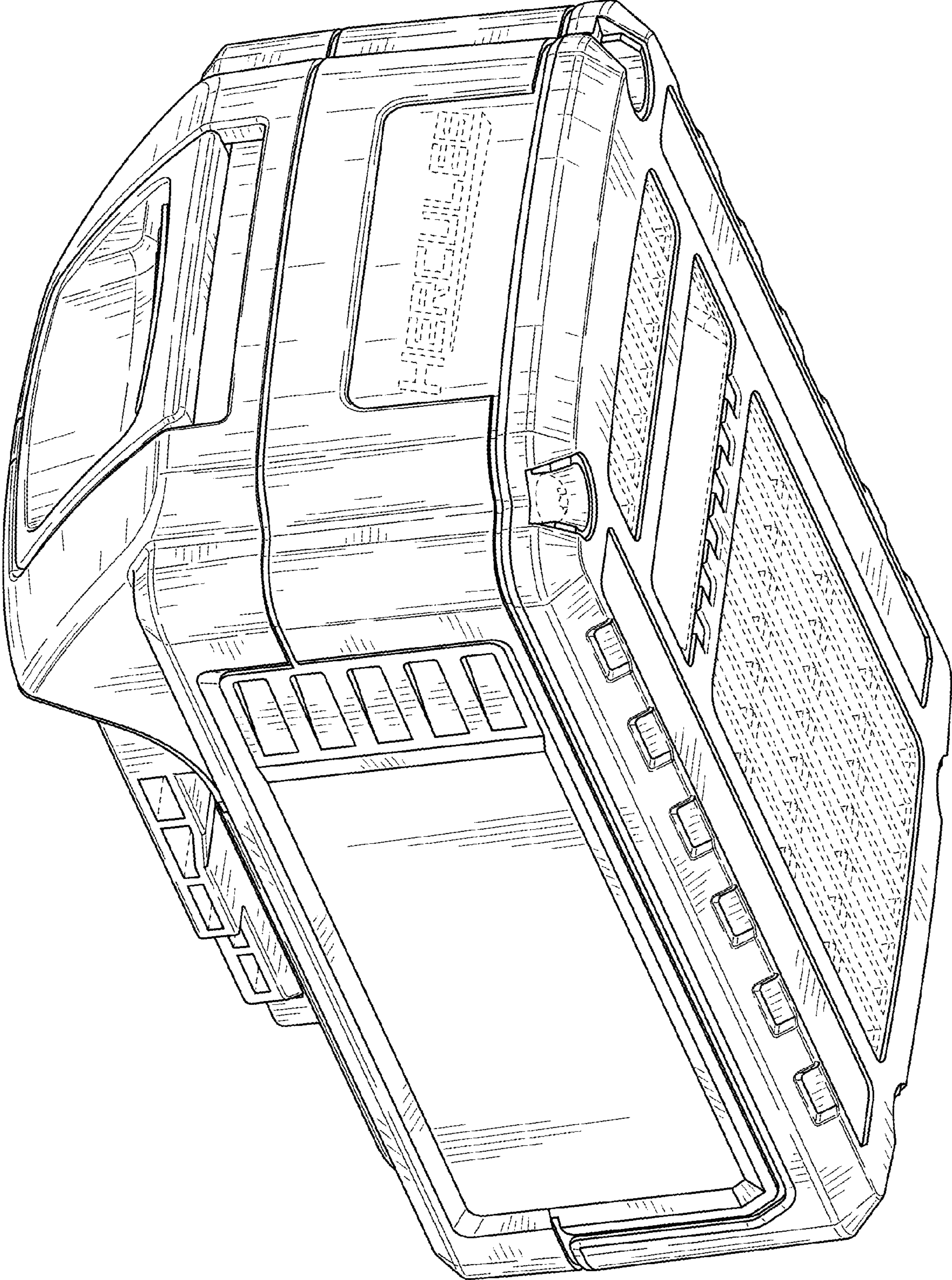


FIG. 9