



US00D911267S

(12) **United States Design Patent** (10) **Patent No.:** **US D911,267 S**
Matteo (45) **Date of Patent:** **** Feb. 23, 2021**

(54) **BATTERY**

(71) Applicant: **Harbor Freight Tools USA, Inc.**,
Calabasas, CA (US)

(72) Inventor: **Michael Matteo**, Los Angeles, CA (US)

(73) Assignee: **Harbor Freight Tools USA, INC.**,
Calabasas, CA (US)

(**) Term: **15 Years**

(21) Appl. No.: **29/688,114**

(22) Filed: **Apr. 18, 2019**

(51) **LOC (13) Cl.** **13-02**

(52) **U.S. Cl.**
USPC **D13/103**

(58) **Field of Classification Search**
USPC D13/102–106, 110, 118–119, 184
CPC Y02E 60/12; Y02E 60/122; Y02E 60/124;
Y02E 60/50; H01M 2/02; H01M 2/022;
H01M 2/0202; H01M 2/0207; H01M
2/0212; H01M 2/1061; H01M 2/1022;
H01M 2/1055; H01M 2/1066; H01M
2/105; H01M 2/204; H01M 2/1016;
H01M 2200/00; H01M 10/4257; H01M
10/0436; H01M 10/48; H01M 10/42
See application file for complete search history.

(56) **References Cited**

U.S. PATENT DOCUMENTS

D436,917 S	1/2001	Hayakawa et al.
6,729,413 B2	5/2004	Turner et al.
D516,504 S	3/2006	Okuda et al.
D545,759 S	7/2007	Ino et al.
D550,152 S	9/2007	Okuda et al.
D555,086 S	11/2007	Zhang
D589,439 S	3/2009	Van Wambeke
D589,440 S	3/2009	Van Wambeke

D597,931 S	8/2009	Aglassinger	
D597,932 S	8/2009	Aglassinger	
D597,933 S	8/2009	Aglassinger	
D607,814 S *	1/2010	Tsuzuki	D13/103
7,661,486 B2	2/2010	Turner et al.	
D622,661 S *	8/2010	Yamada	D13/103
D633,036 S *	2/2011	Murray	D13/103
D640,628 S *	6/2011	Lopano	D13/103
D658,578 S *	5/2012	Davis	D13/103
8,181,717 B2	5/2012	Turner et al.	
8,312,937 B2	11/2012	Turner et al.	
D682,194 S *	5/2013	Jiang	D13/103
D684,528 S *	6/2013	Murray	D13/103
D685,730 S *	7/2013	Hamm	D13/103
8,573,324 B2	11/2013	Turner et al.	
D812,555 S *	3/2018	Schoch	D13/103

(Continued)

Primary Examiner — Nathaniel D. Buckner
(74) *Attorney, Agent, or Firm* — McAndrews Held & Malloy, Ltd.

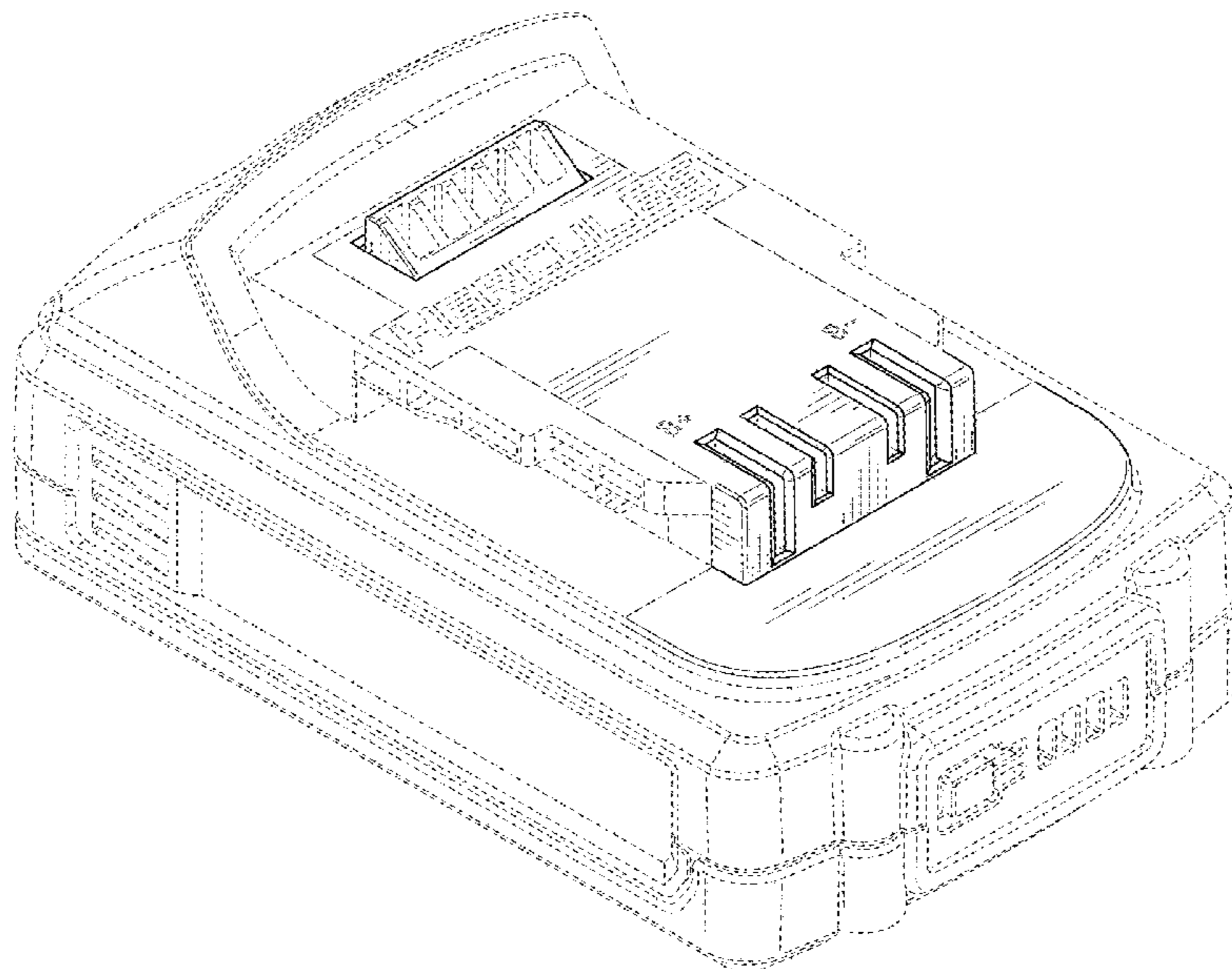
(57) **CLAIM**

The ornamental design for a battery, as shown and described.

DESCRIPTION

FIG. 1 is a front perspective view of a battery showing my new design;
FIG. 2 is a front elevation view thereof;
FIG. 3 is a rear elevation view thereof;
FIG. 4 is a right side elevation view thereof;
FIG. 5 is a left side elevation view thereof;
FIG. 6 is a top plan view thereof;
FIG. 7 is a bottom plan view thereof; and,
FIG. 8 is a rear perspective view thereof.
The evenly-dashed broken lines in the figures illustrate portions of the battery that form no part of the claimed design.
The dot-dash broken lines in the figures illustrate a boundary line that forms no part of the claimed design.

1 Claim, 7 Drawing Sheets



(56)

References Cited

U.S. PATENT DOCUMENTS

D849,681	S	5/2019	Howell	
D887,969	S *	6/2020	Howell D13/103
D890,692	S *	7/2020	Elder D13/103
D894,120	S *	8/2020	Timm D13/103
D898,662	S *	10/2020	Waldron D13/103

* cited by examiner

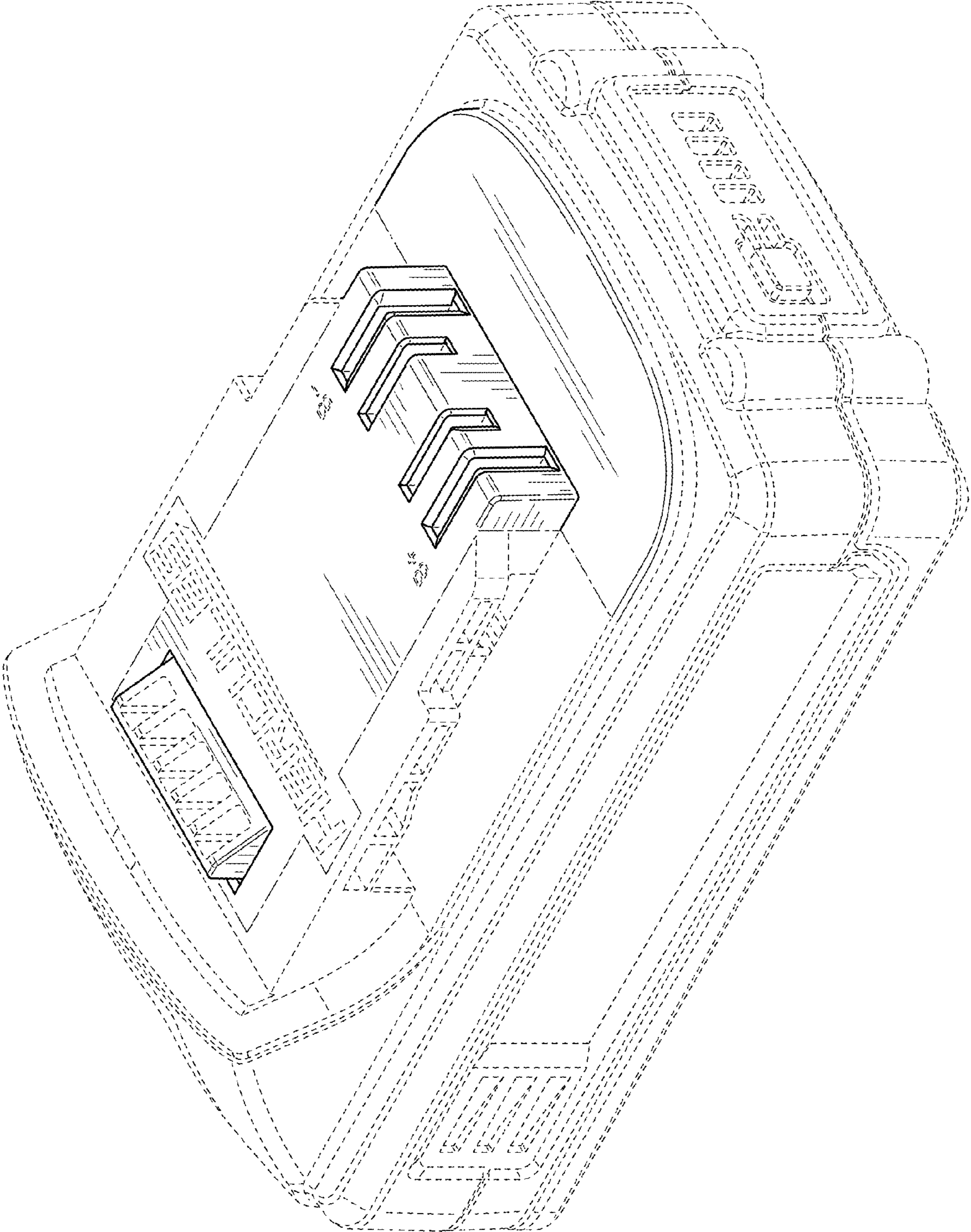


FIG. 1

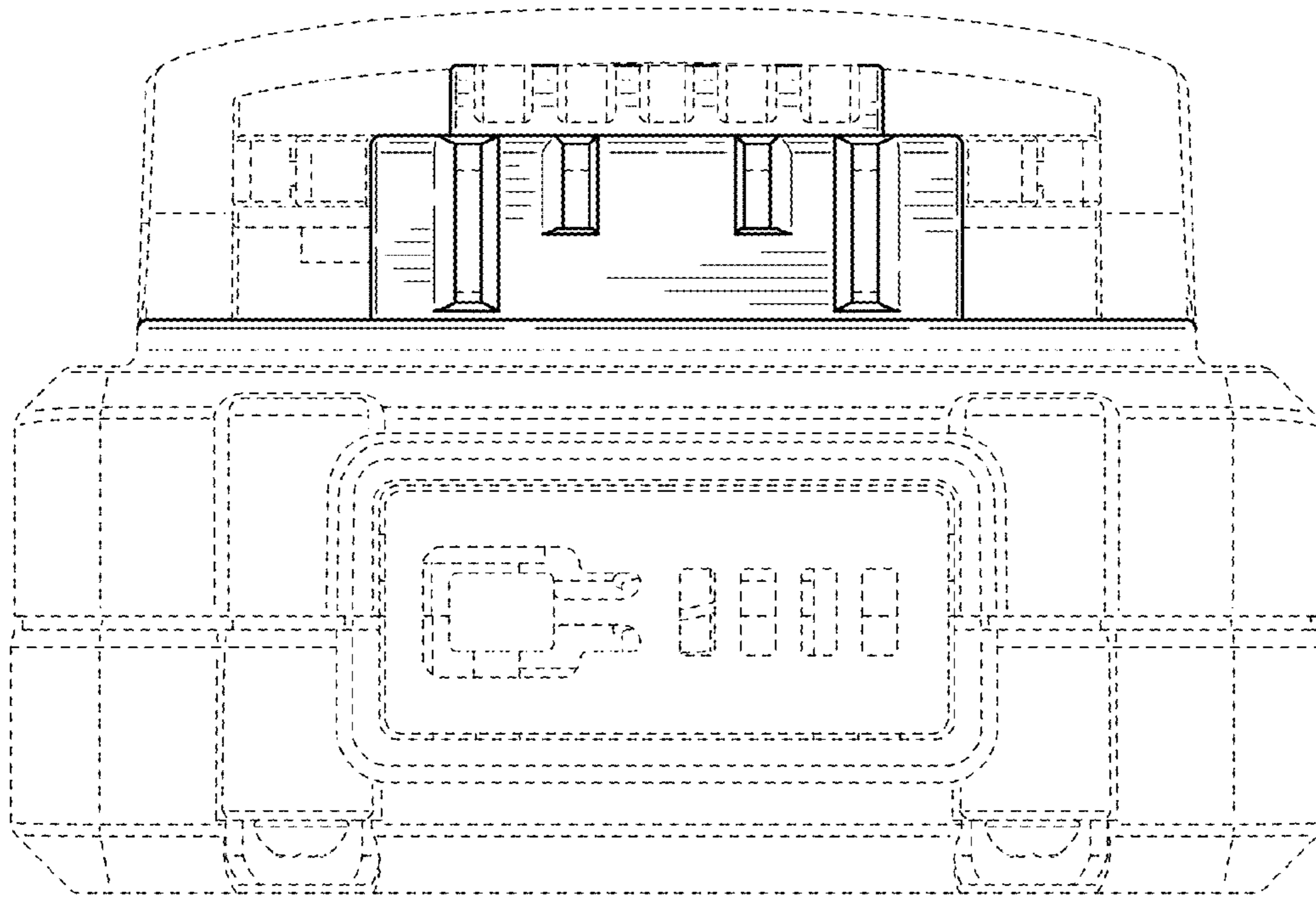


FIG. 2

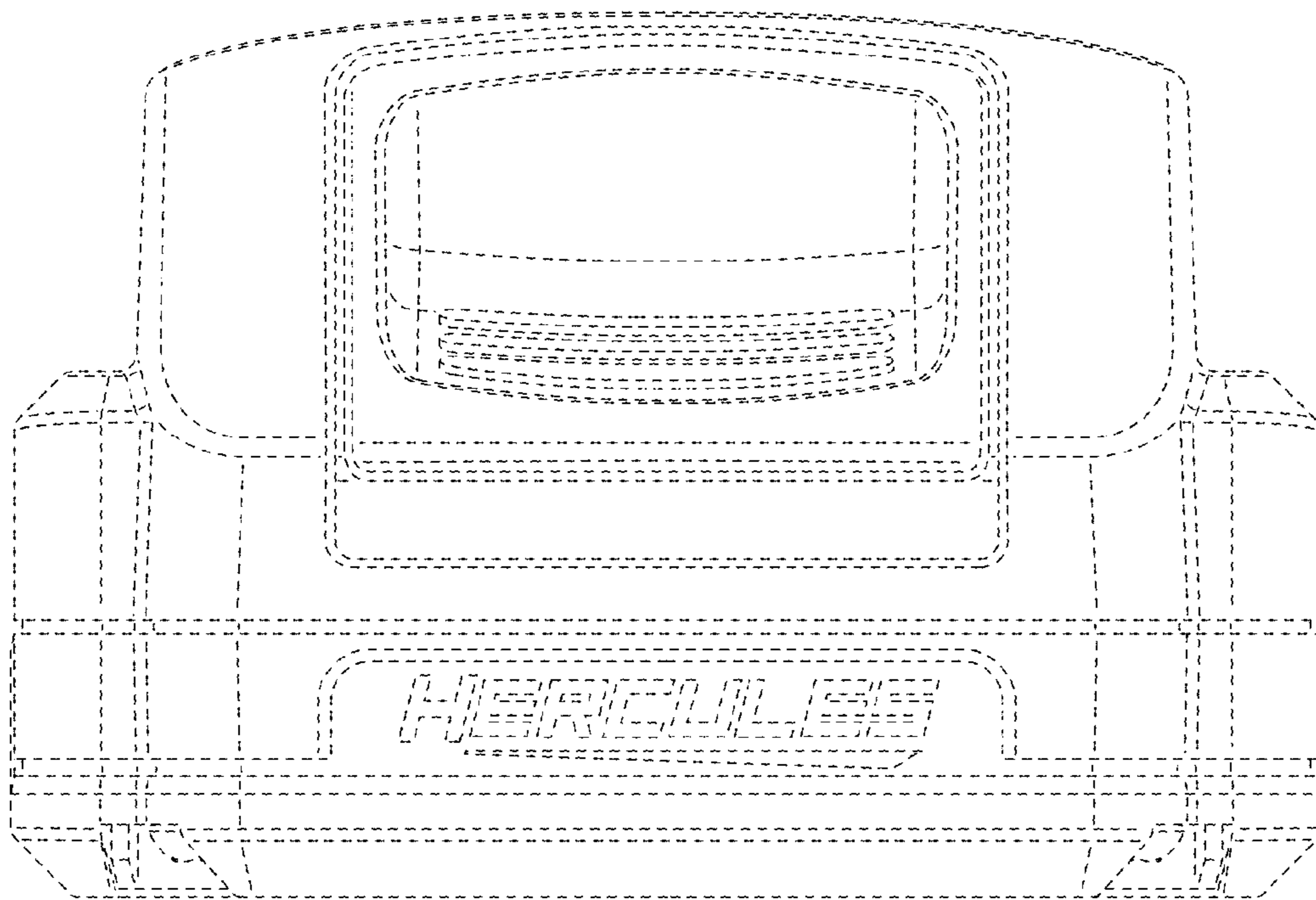


FIG. 3

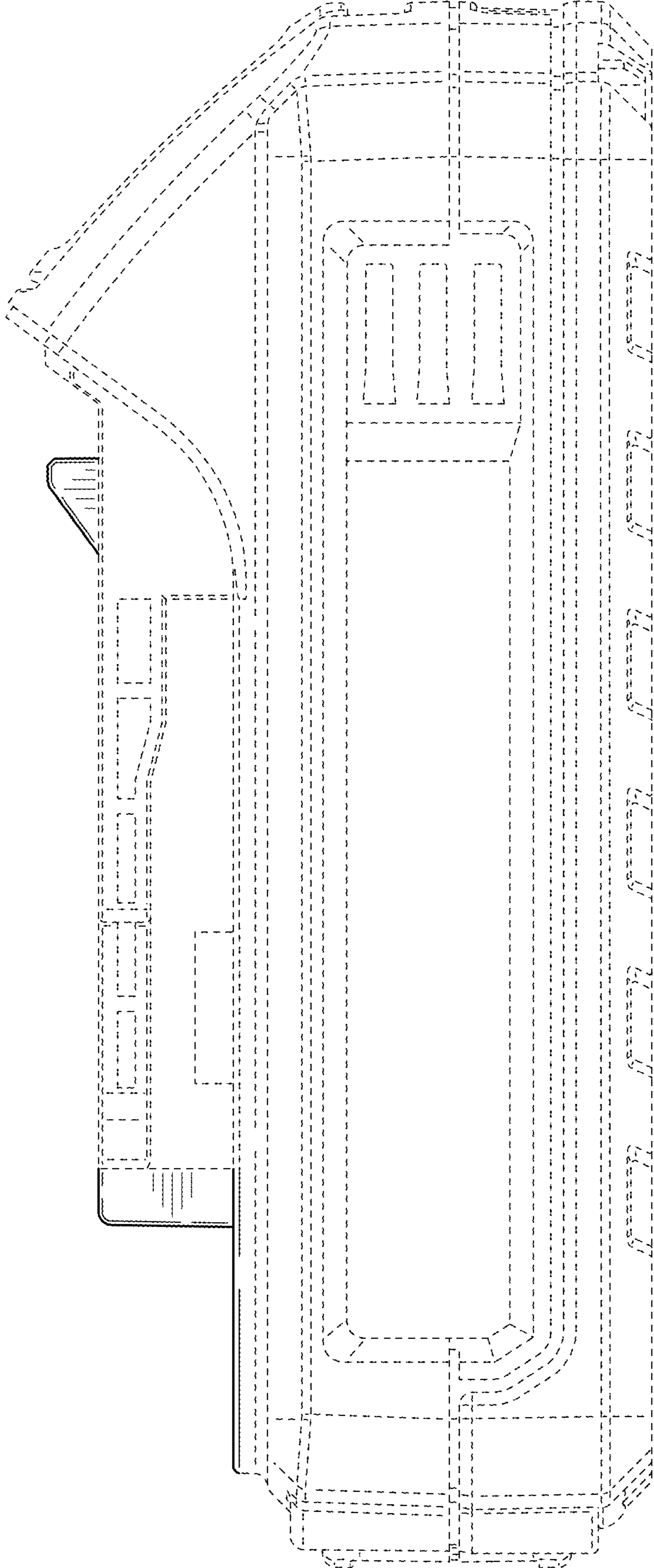


FIG. 4

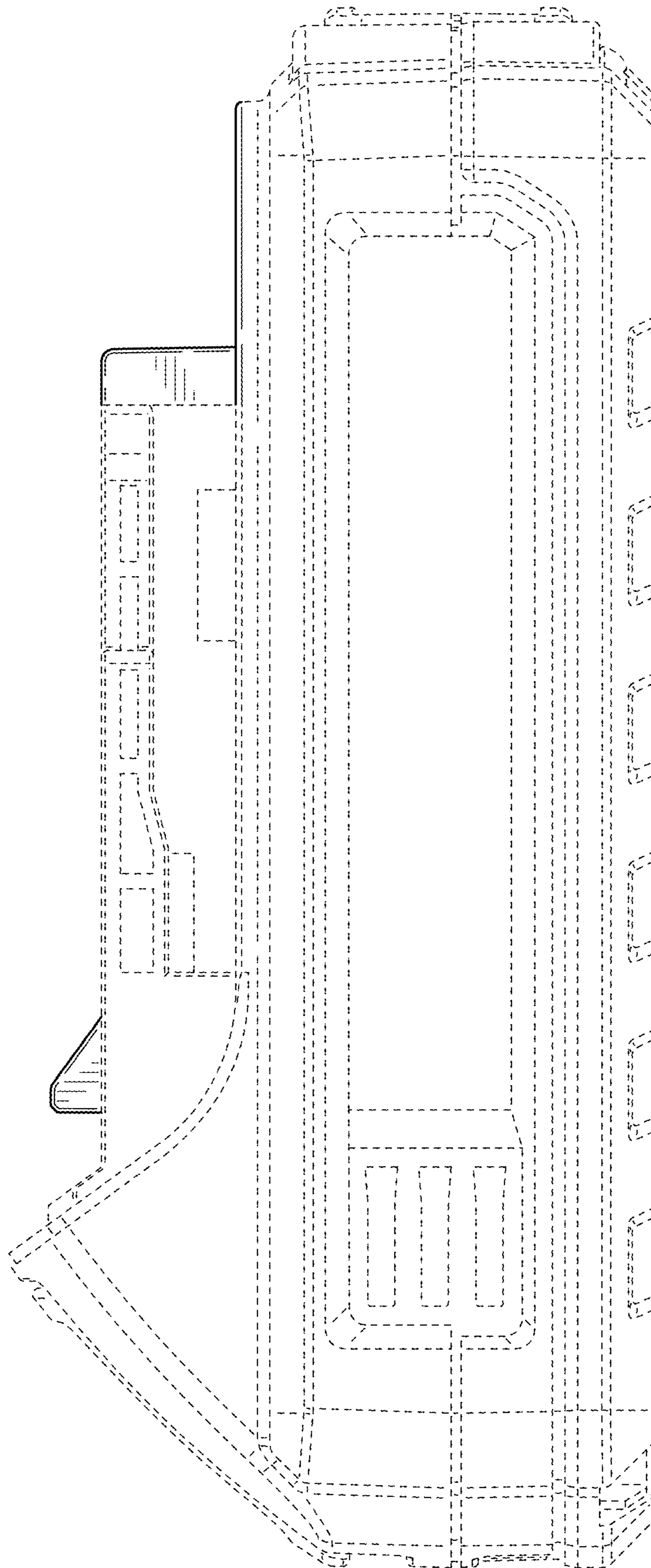


FIG. 5

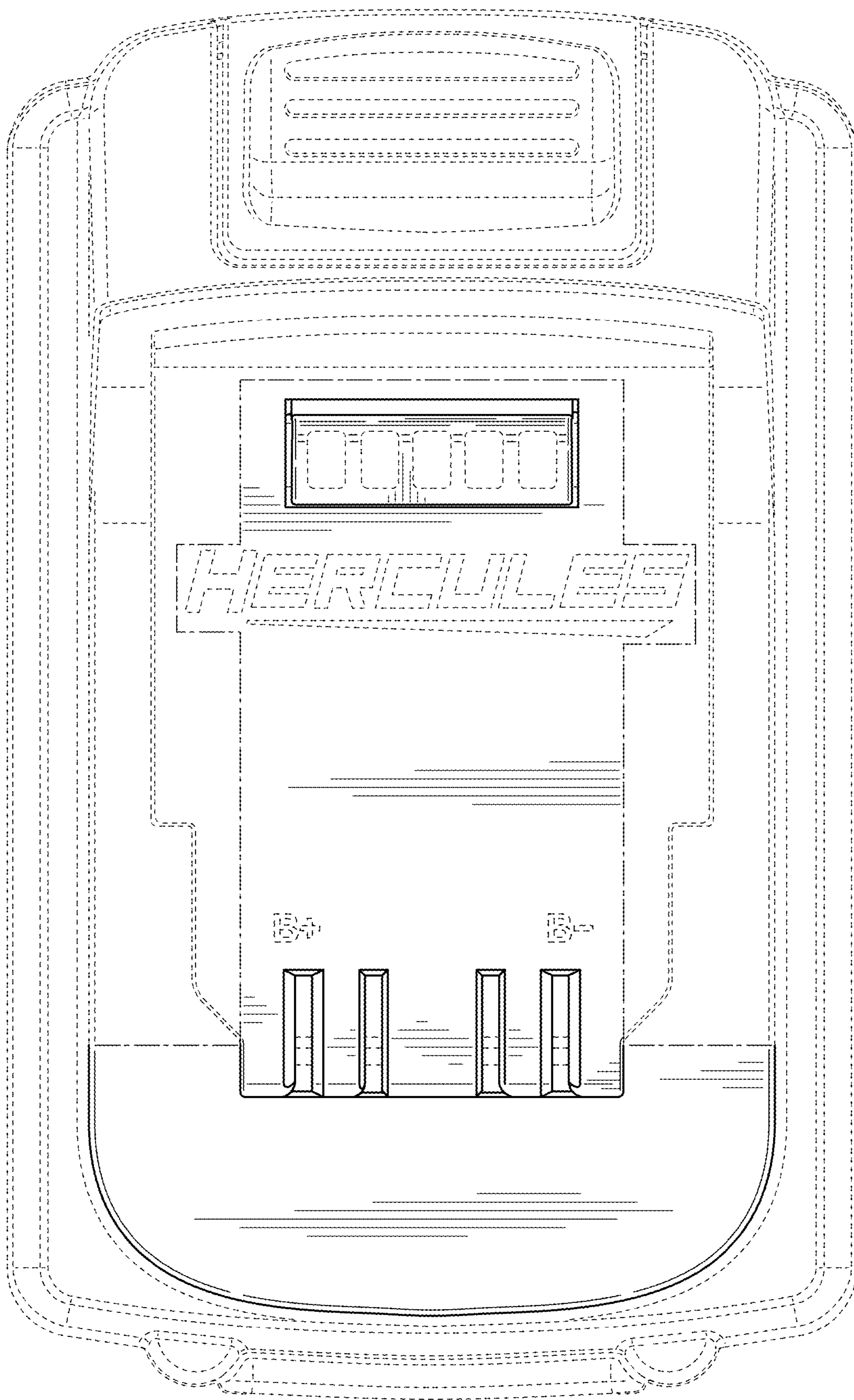


FIG. 6

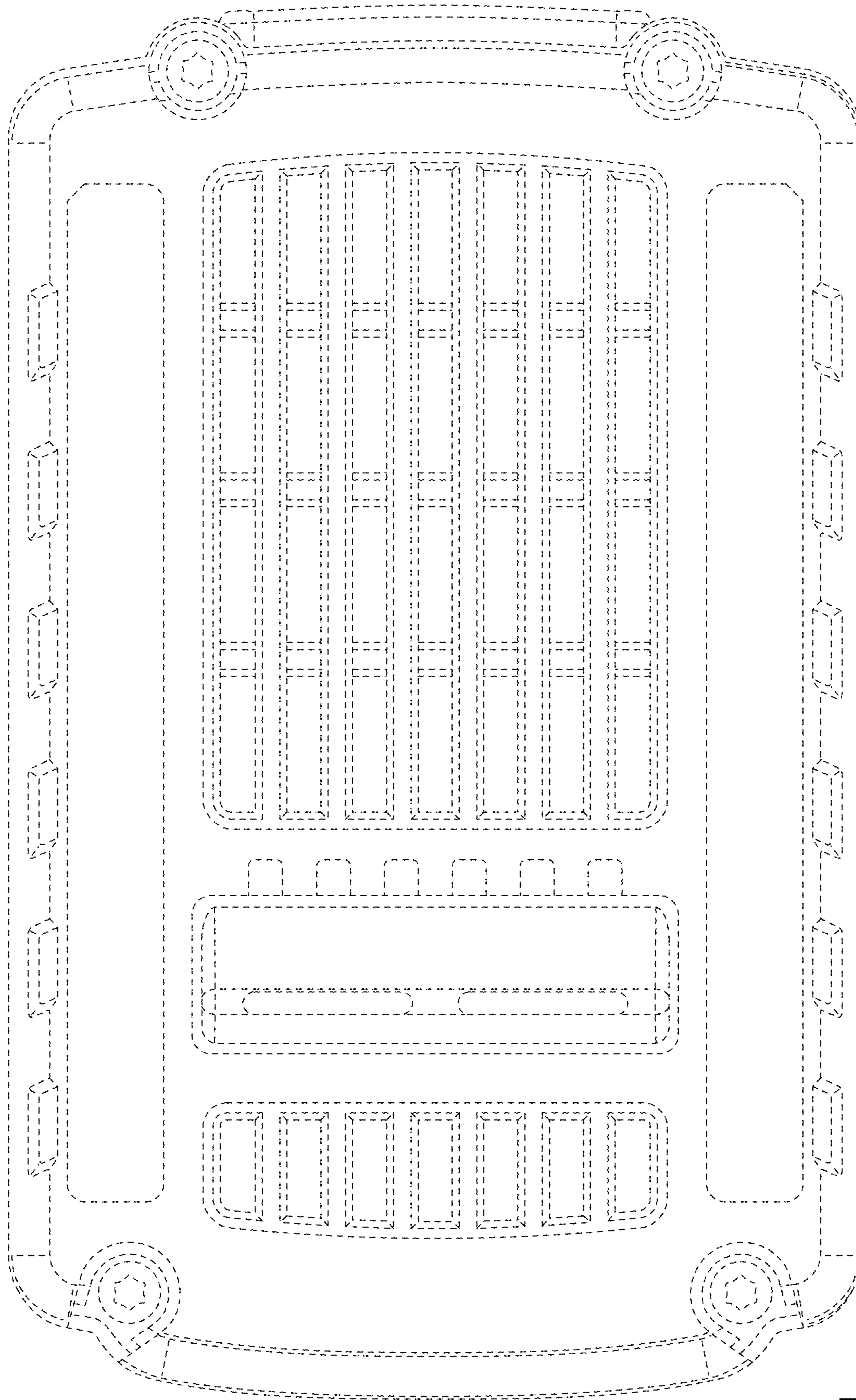


FIG. 7

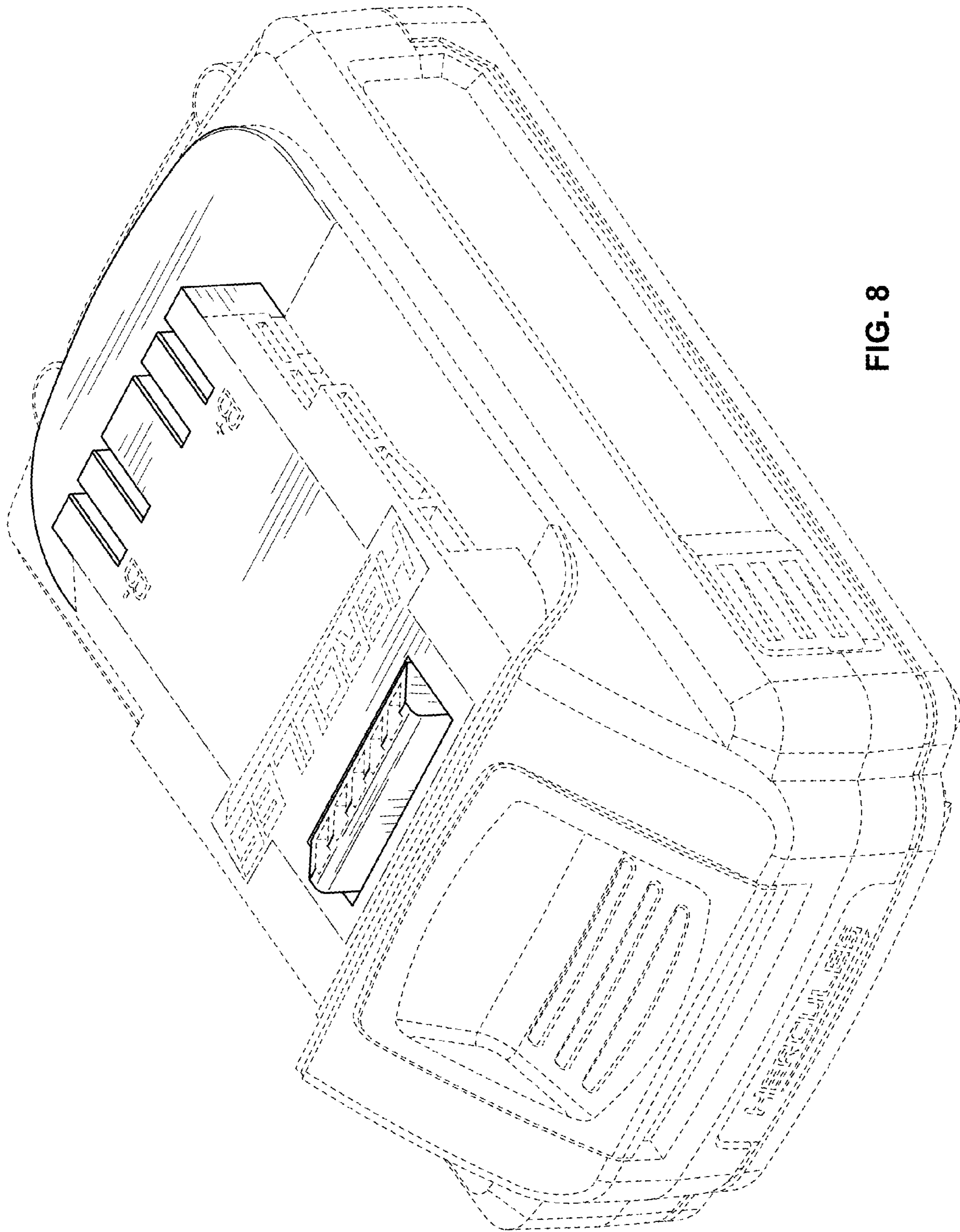


FIG. 8