



US00D911266S

(12) **United States Design Patent**
Kim et al.

(10) **Patent No.:** **US D911,266 S**
(45) **Date of Patent:** **** Feb. 23, 2021**

(54) **PORTABLE AUXILIARY BATTERY**

7/0057; Y02T 10/7005; Y02T 10/705;
Y02T 10/7088; B60L 11/1809; B60L
11/1861

(71) Applicant: **ONE DAY ONE**
COMMUNICATION, Seoul (KR)

See application file for complete search history.

(72) Inventors: **Chang-Hee Kim**, Seoul (KR); **Se-Ri Sun**, Seongnam-si (KR)

(56) **References Cited**

(73) Assignee: **ONE DAY ONE**
COMMUNICATION, Seoul (KR)

U.S. PATENT DOCUMENTS

(**) Term: **15 Years**

D248,974 S *	8/1978	Ballereaud	D28/78
D262,833 S *	1/1982	Pedersen	D28/83
D275,425 S *	9/1984	Briggs	D28/78
D291,608 S *	8/1987	Chevassus	D28/83
D292,626 S *	11/1987	Chevassus	D28/78
D397,870 S *	9/1998	De Winter	D28/83
D404,532 S *	1/1999	Castagna	D26/37
D478,689 S *	8/2003	Thorpe	D28/83
D480,180 S *	9/2003	Lai	D28/83
D553,077 S *	10/2007	Kim	D13/108

(21) Appl. No.: **29/682,594**

(22) Filed: **Mar. 6, 2019**

(30) **Foreign Application Priority Data**

Sep. 7, 2018 (KR) 30-2018-0041922

(51) **LOC (13) Cl.** **13-02**

(52) **U.S. Cl.**
USPC **D13/103**

(58) **Field of Classification Search**
USPC D13/103, 107, 108, 110, 133,
D13/137.1-137.4, 138.1-138.2,
D13/139.1-139.8, 146, 147, 151-156,
D13/173, 177, 199; D14/432, 433, 435.1,
D14/250; D23/231, 232; D15/7-9;
D8/350, 353-356; D28/78, 83
CPC H01R 11/00; H01R 9/00; H01R 13/00;
H01R 13/04; H01R 13/10; H01R
13/6666; H01R 13/6675; H01R 25/00;
H01R 25/006; H01H 2207/00; H01H
2207/022; Y02E 60/12; Y02E 60/122;
Y02E 60/124; Y02E 60/50; H01M 2/02;
H01M 2/022; H01M 2/0202; H01M
2/0207; H01M 2/0212; H01M 2/1061;
H01M 2/1022; H01M 2/1055; H01M
2/1066; H01M 2/105; H01M 2/204; H02J
7/00; H02J 7/0003; H02J 7/0011; H02J
7/0013; H02J 7/0054; H02J 7/0055; H02J

(Continued)

Primary Examiner — Christy Nemeth

(74) *Attorney, Agent, or Firm* — Novick, Kim & Lee,
PLLC; Jae Youn Kim; Hyun Woo Shin

(57) **CLAIM**

We claim, the ornamental design for a portable auxiliary battery, as shown and described.

DESCRIPTION

FIG. 1 is a perspective view of a portable auxiliary battery, showing our new design;

FIG. 2 is a front elevational view thereof;

FIG. 3 is a rear elevational view thereof;

FIG. 4 is a left side elevational view thereof;

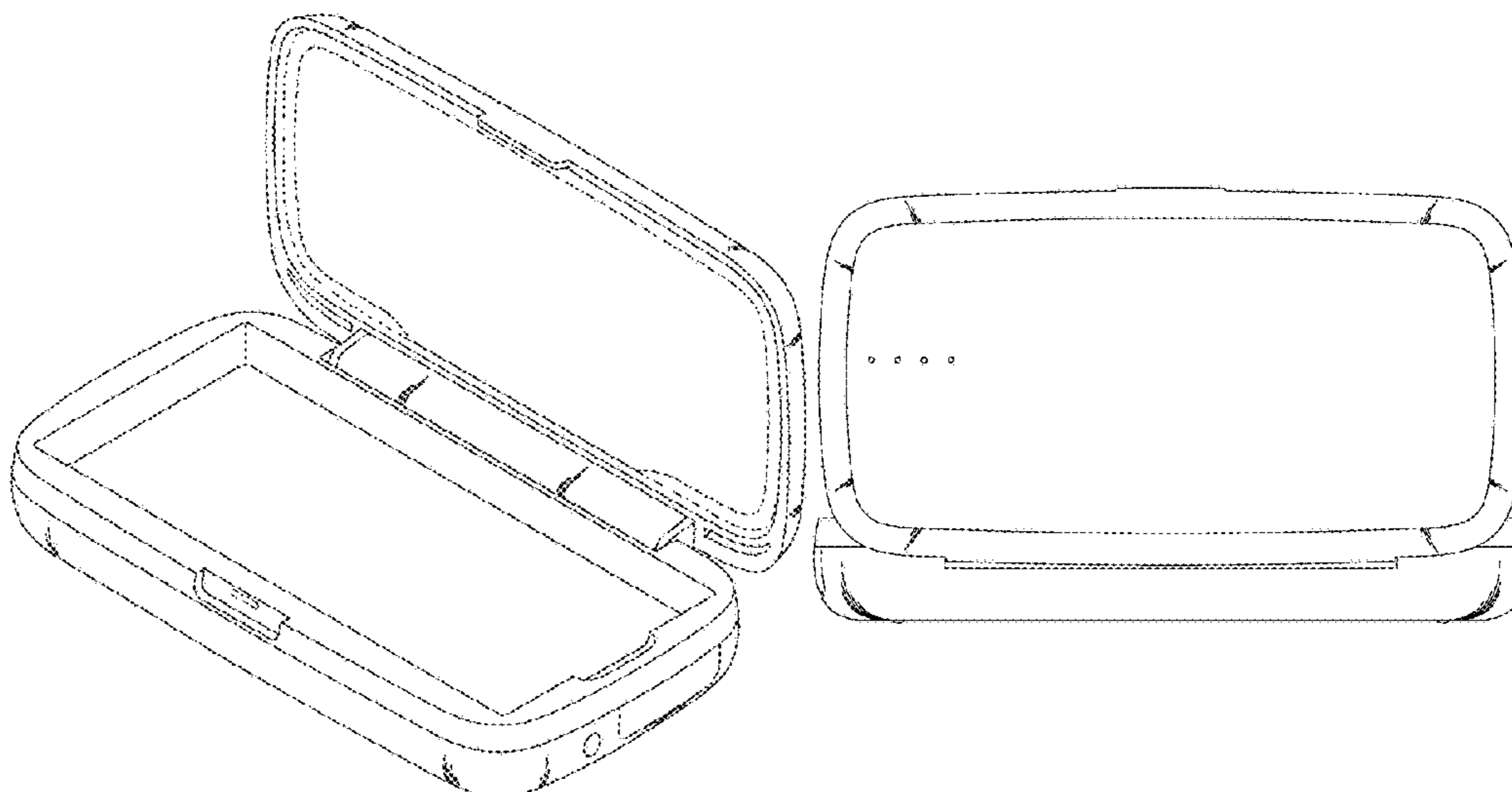
FIG. 5 is a right side elevational view thereof;

FIG. 6 is a top plan view thereof; and,

FIG. 7 is a bottom plan view thereof.

The dash-dash broken lines in the drawings show portions of the portable auxiliary battery which form no part of the claimed design. The dot-dash broken lines in the drawings represent boundaries which form no part of the claimed design.

1 Claim, 4 Drawing Sheets



(56)

References Cited

U.S. PATENT DOCUMENTS

D624,051	S	*	9/2010	Shimizu	D14/217
D624,052	S	*	9/2010	Shimizu	D14/217
D631,467	S	*	1/2011	Shimizu	D14/217
D656,092	S	*	3/2012	Nomi	D13/107
D656,093	S	*	3/2012	Nomi	D13/107
D740,223	S	*	10/2015	Yoneta	D13/108
D806,023	S	*	12/2017	Xu	D13/108
D806,532	S	*	1/2018	Richmond	D9/420
D824,327	S	*	7/2018	Kim	D13/103
D829,168	S	*	9/2018	Massee	D13/108
D864,110	S	*	10/2019	Yoshimura	D13/108
D880,071	S	*	3/2020	Weinrich	D28/83
2018/0344004	A1	*	12/2018	Kim	A45D 33/008

* cited by examiner



FIG. 1

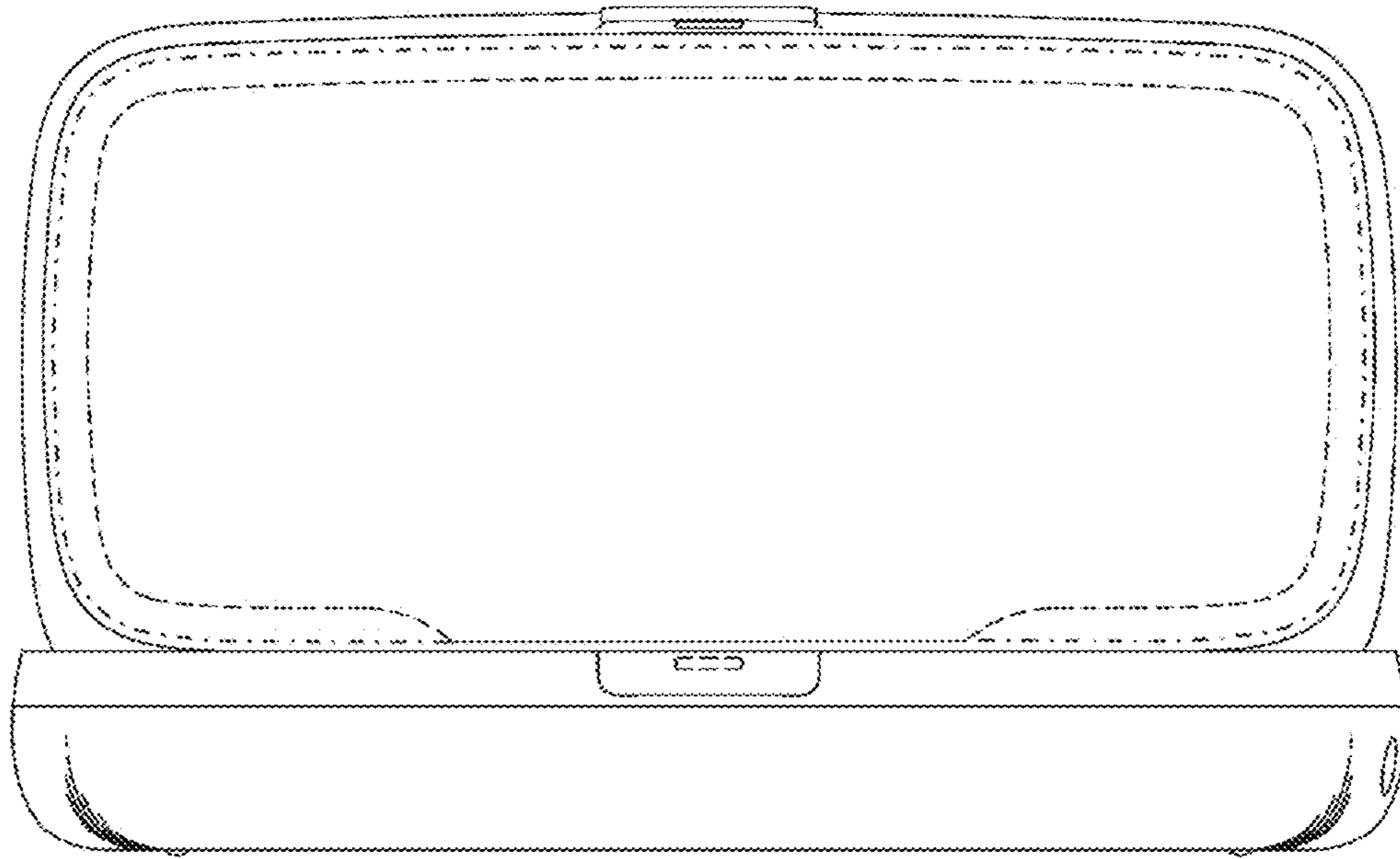


FIG. 2

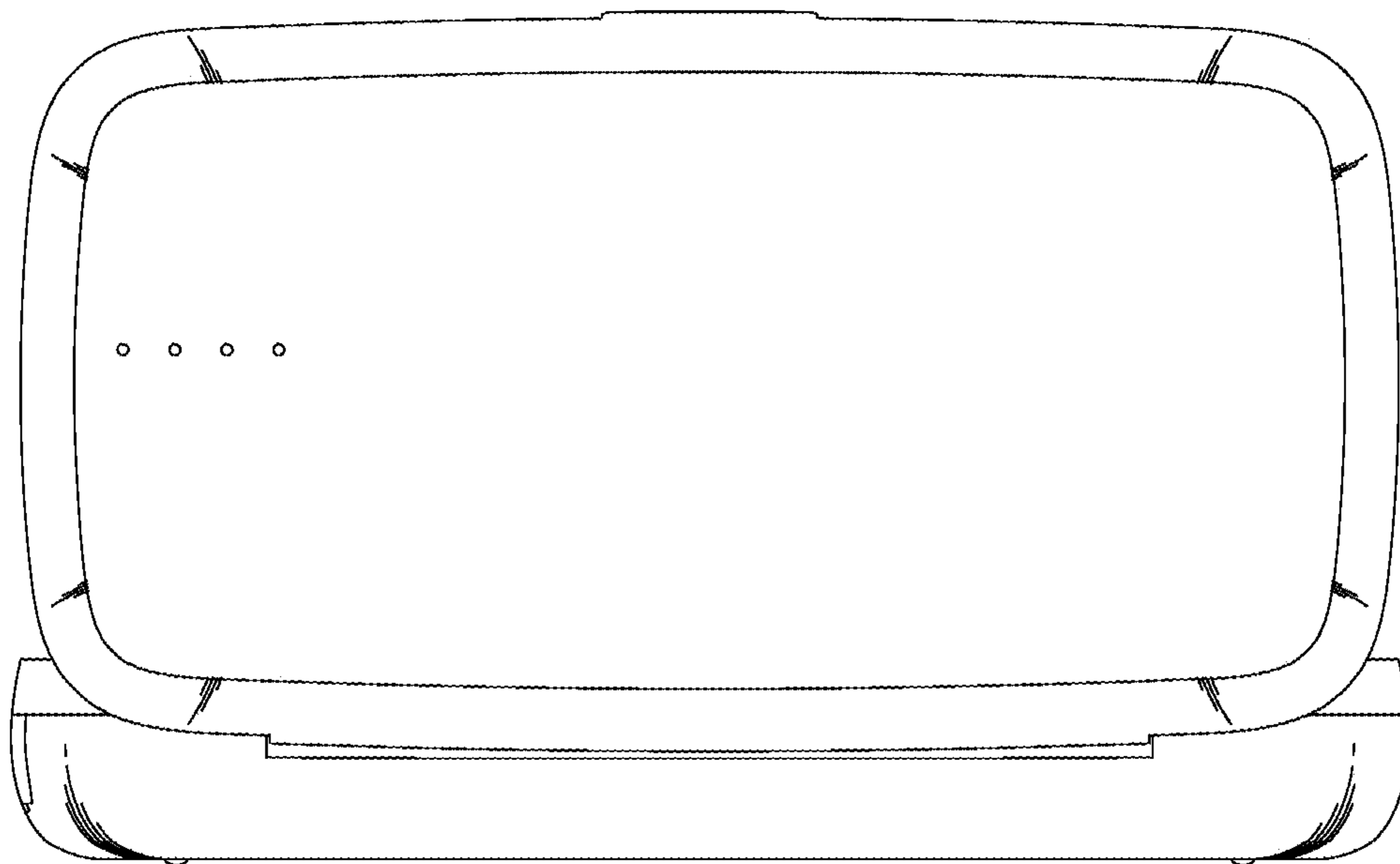


FIG. 3

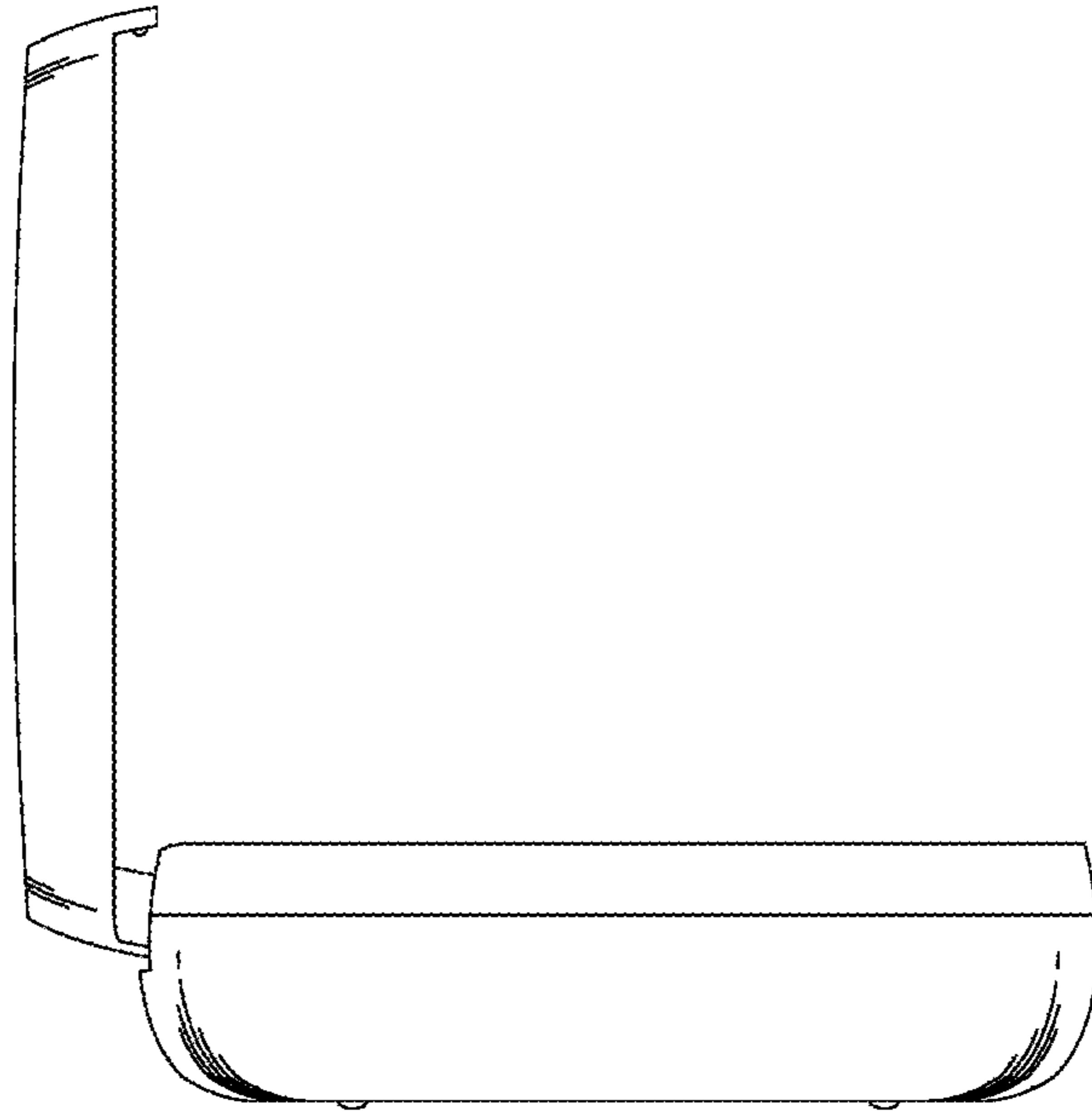


FIG. 4

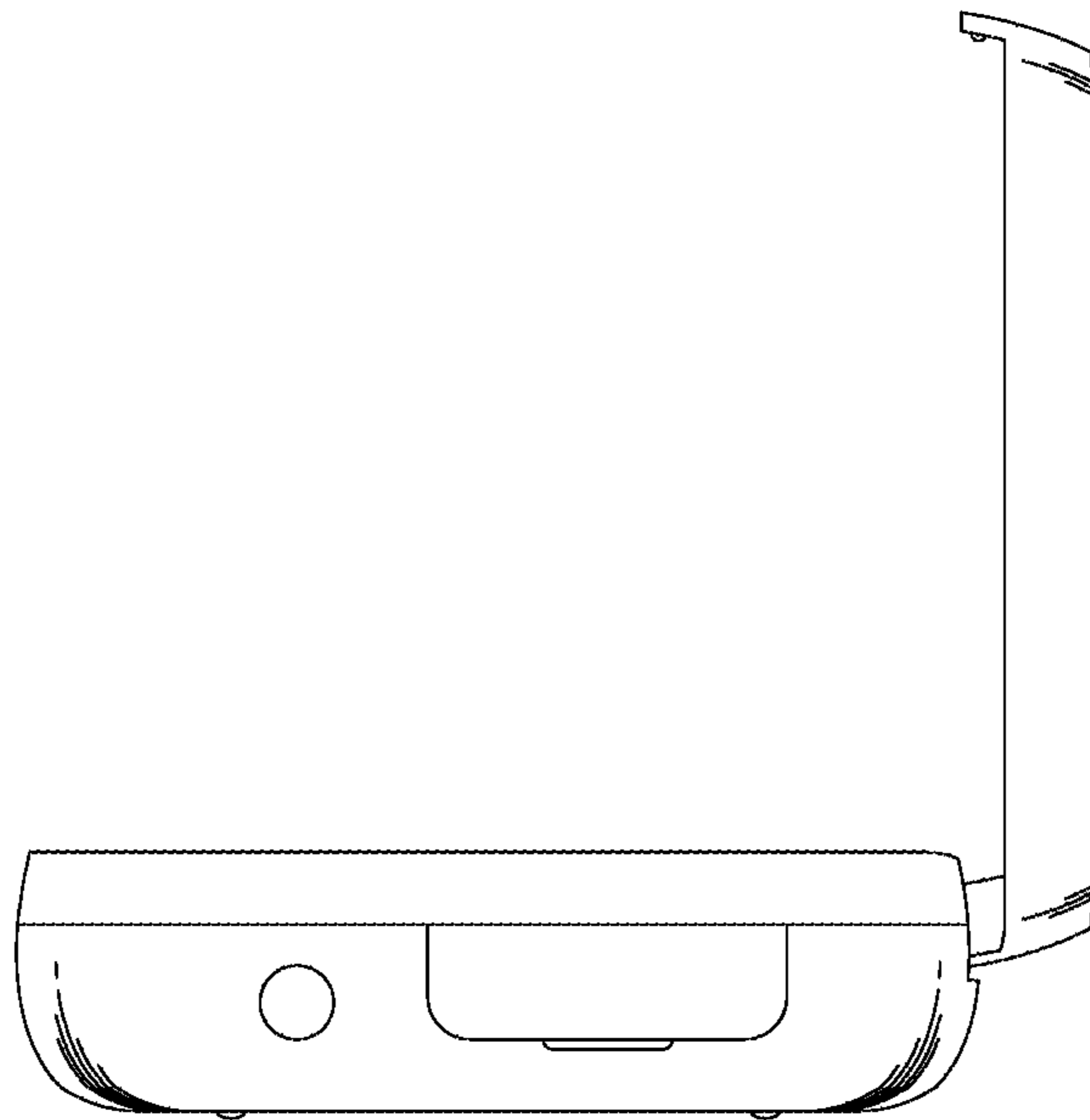


FIG. 5

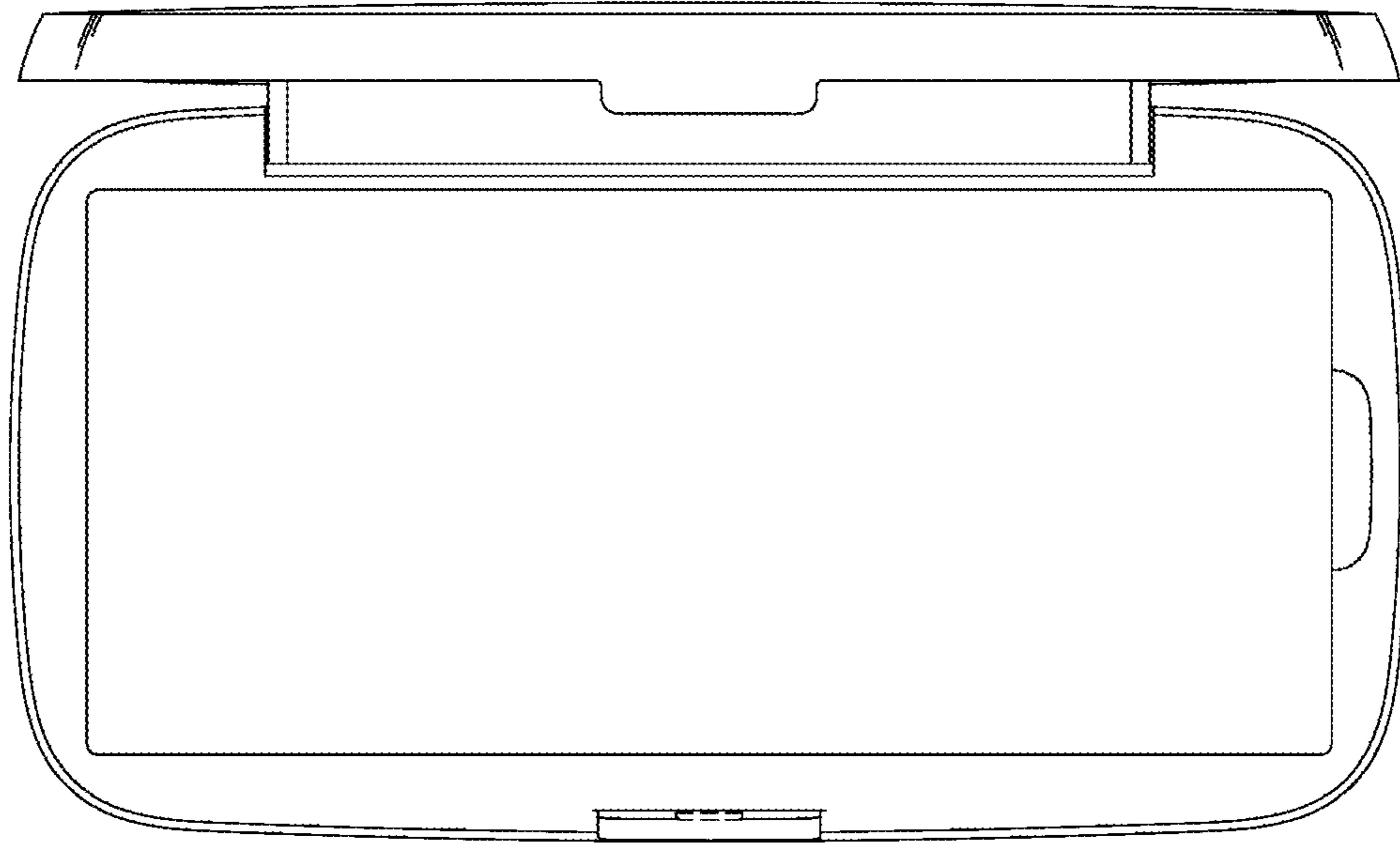


FIG. 6

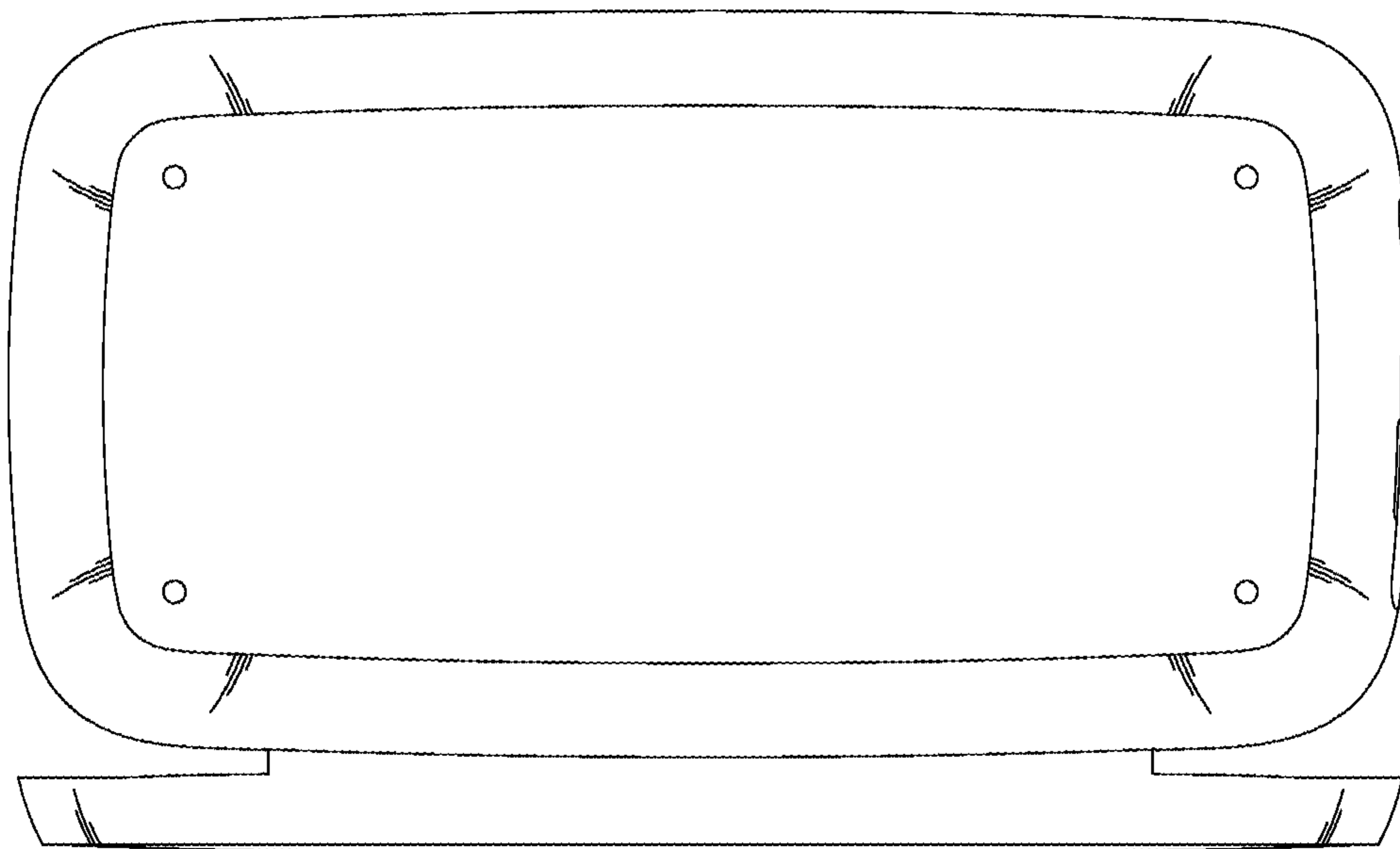


FIG. 7