



US00D911257S

(12) **United States Design Patent**
Yarbrough

(10) **Patent No.:** **US D911,257 S**

(45) **Date of Patent:** **** Feb. 23, 2021**

(54) **VEHICLE UTILITY RACK**

(71) Applicant: **Valerie Yarbrough**, Hampton, GA (US)

(72) Inventor: **Valerie Yarbrough**, Hampton, GA (US)

(**) Term: **15 Years**

(21) Appl. No.: **29/705,126**

(22) Filed: **Sep. 10, 2019**

(51) **LOC (13) Cl.** **12-16**

(52) **U.S. Cl.**

USPC **D12/416**

(58) **Field of Classification Search**

USPC D3/274, 273, 276, 283, 284–289, 905,
D3/203.1, 203.6, 205, 313–315, 215, 243,
D3/244, 299, 902, 318–319; D12/415,
D12/416, 400, 191, 345, 96; D7/605,
D7/607; 296/36, 37.8–37.16; 224/404,
224/572, 275, 277, 400, 276; 297/232,
297/248, 188.01, 188.18, 188.2; D19/78,
D19/86; 206/214, 224, 371

CPC A45C 3/04; A45C 3/00; A45C 5/05; A45C
11/20; A45C 11/00; B42F 9/00; B42F
9/002; B42F 9/004; B42F 11/00; B42F
11/04; A47G 1/06; A47G 1/12

See application file for complete search history.

(56) **References Cited**

U.S. PATENT DOCUMENTS

D473,510 S * 4/2003 Denmeade D12/416
D494,534 S * 8/2004 Hassett D12/416

D539,037 S * 3/2007 Bergh D12/416
D632,510 S * 2/2011 Johnson D12/416
D748,087 S * 1/2016 Lee D14/251
D881,793 S * 4/2020 Huang D12/416
D881,870 S * 4/2020 Riley D14/253

* cited by examiner

Primary Examiner — Abraham Bahta

(74) *Attorney, Agent, or Firm* — IPS Legal Group, P.A.

(57) **CLAIM**

The ornamental design for a vehicle utility rack, as shown and described.

DESCRIPTION

FIG. 1 is a perspective view of a vehicle utility rack showing my new design;

FIG. 2 is a right view thereof;

FIG. 3 is a left view thereof;

FIG. 4 is a front view thereof;

FIG. 5 is a rear view thereof;

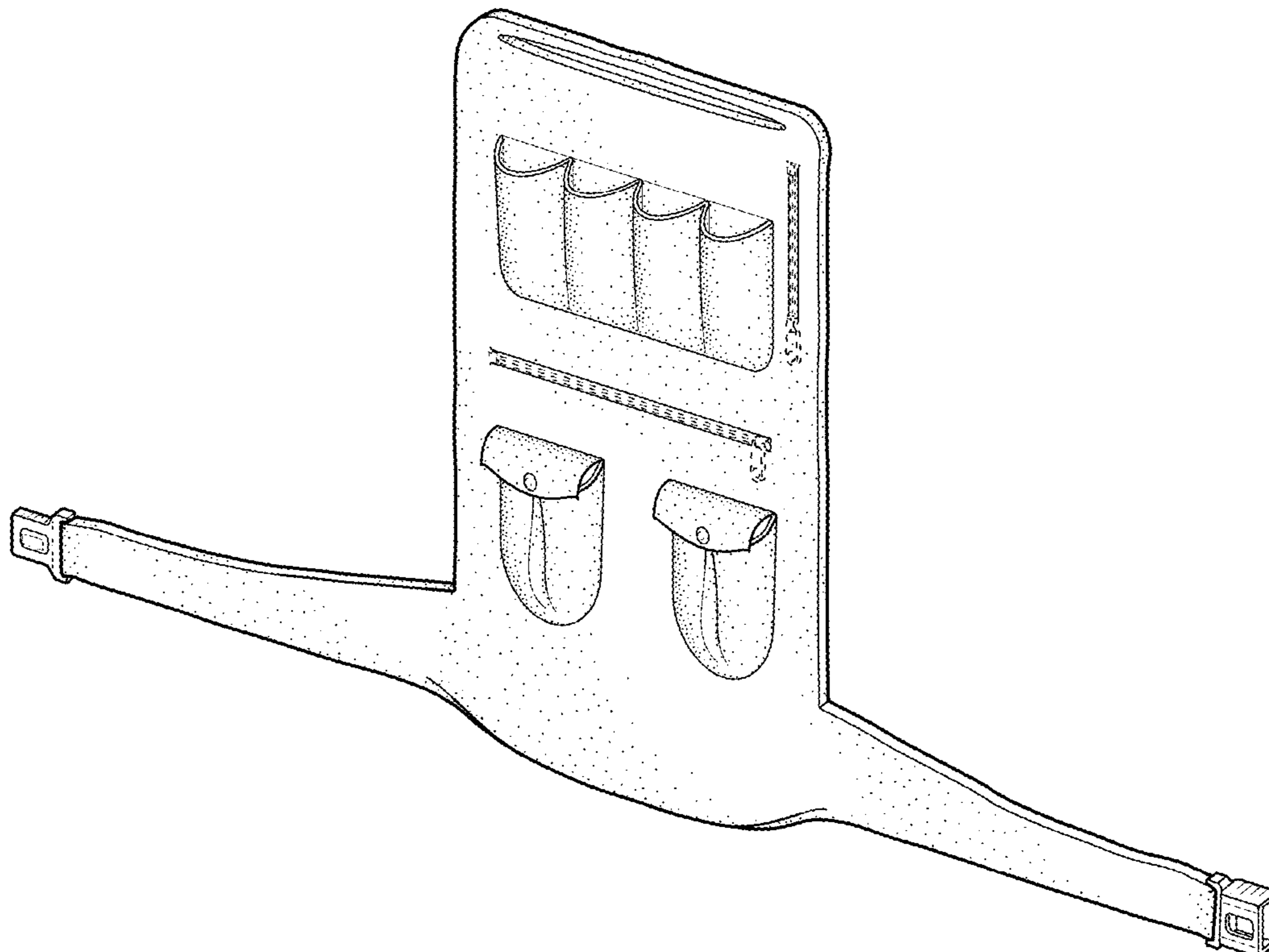
FIG. 6 is a top view thereof;

FIG. 7 is a bottom view thereof; and,

FIG. 8 is a perspective view thereof, shown in a position of use.

The broken lines shown in the figures depict portions of the vehicle utility rack that form no part of the claimed design.

1 Claim, 4 Drawing Sheets



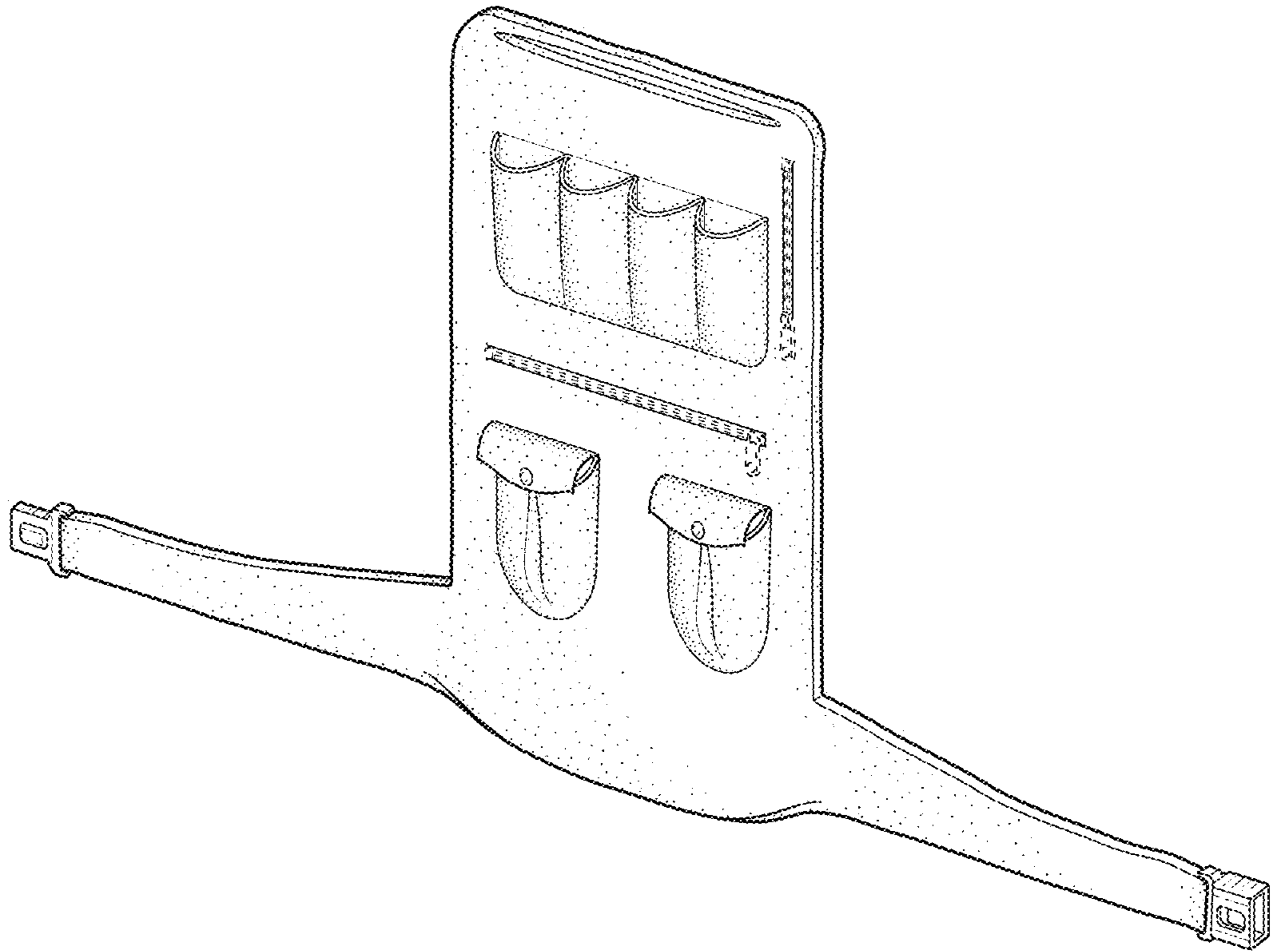


FIG. 1



FIG. 2

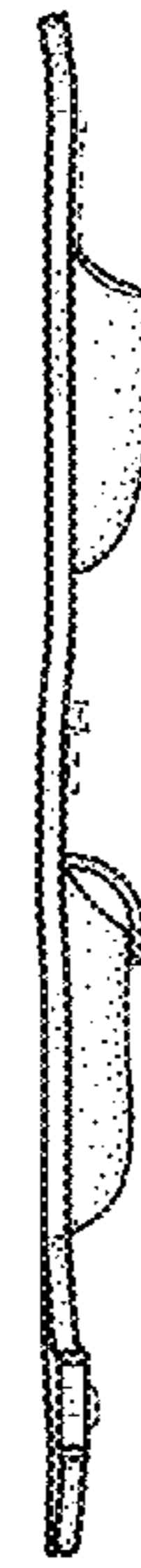


FIG. 3

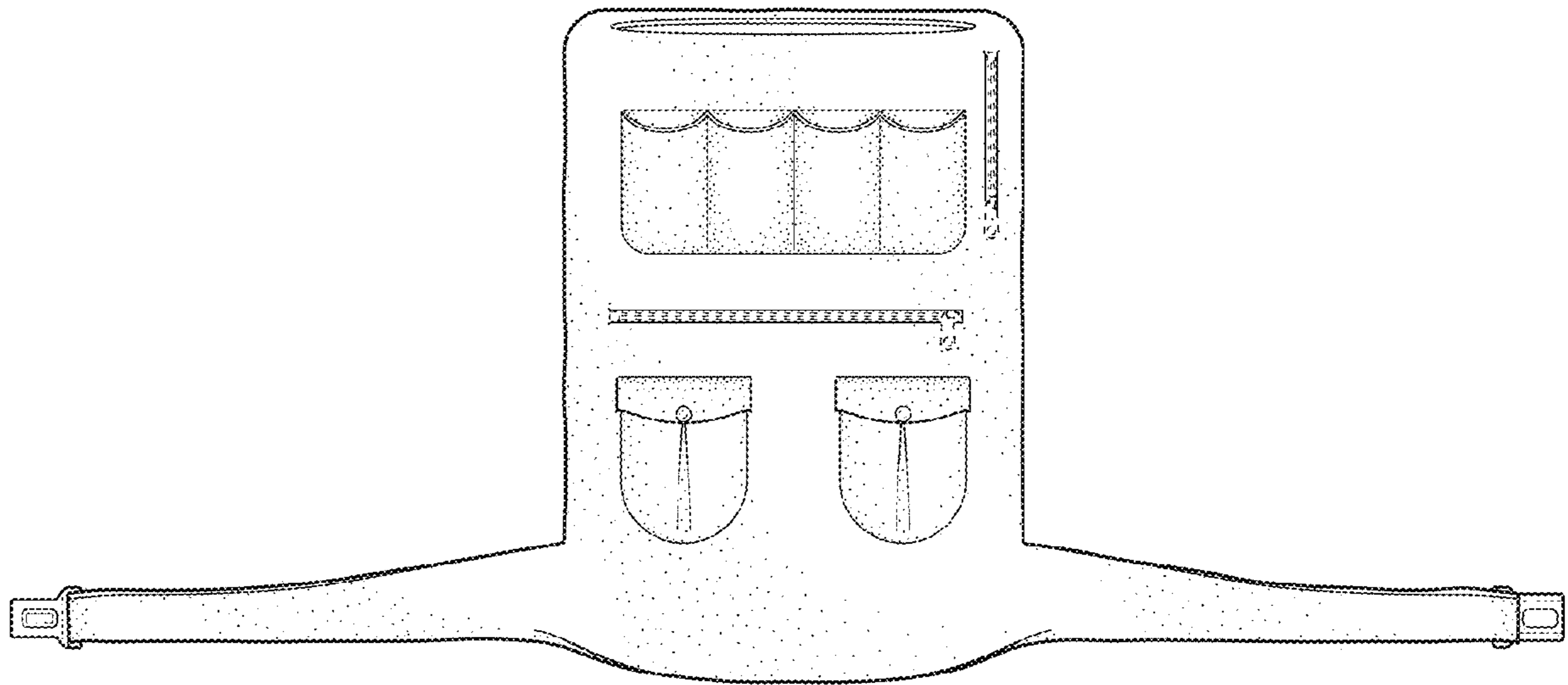


FIG. 4

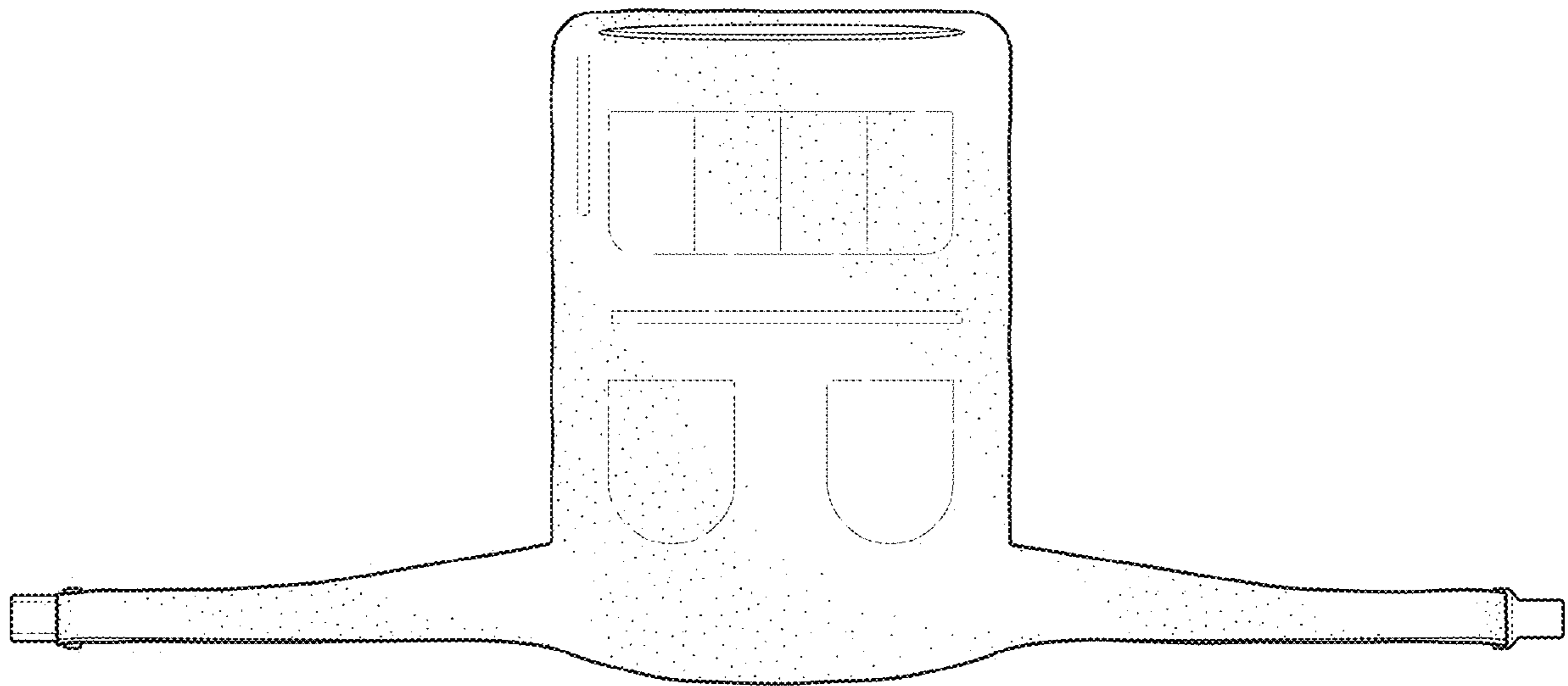


FIG. 5



FIG. 6



FIG. 7

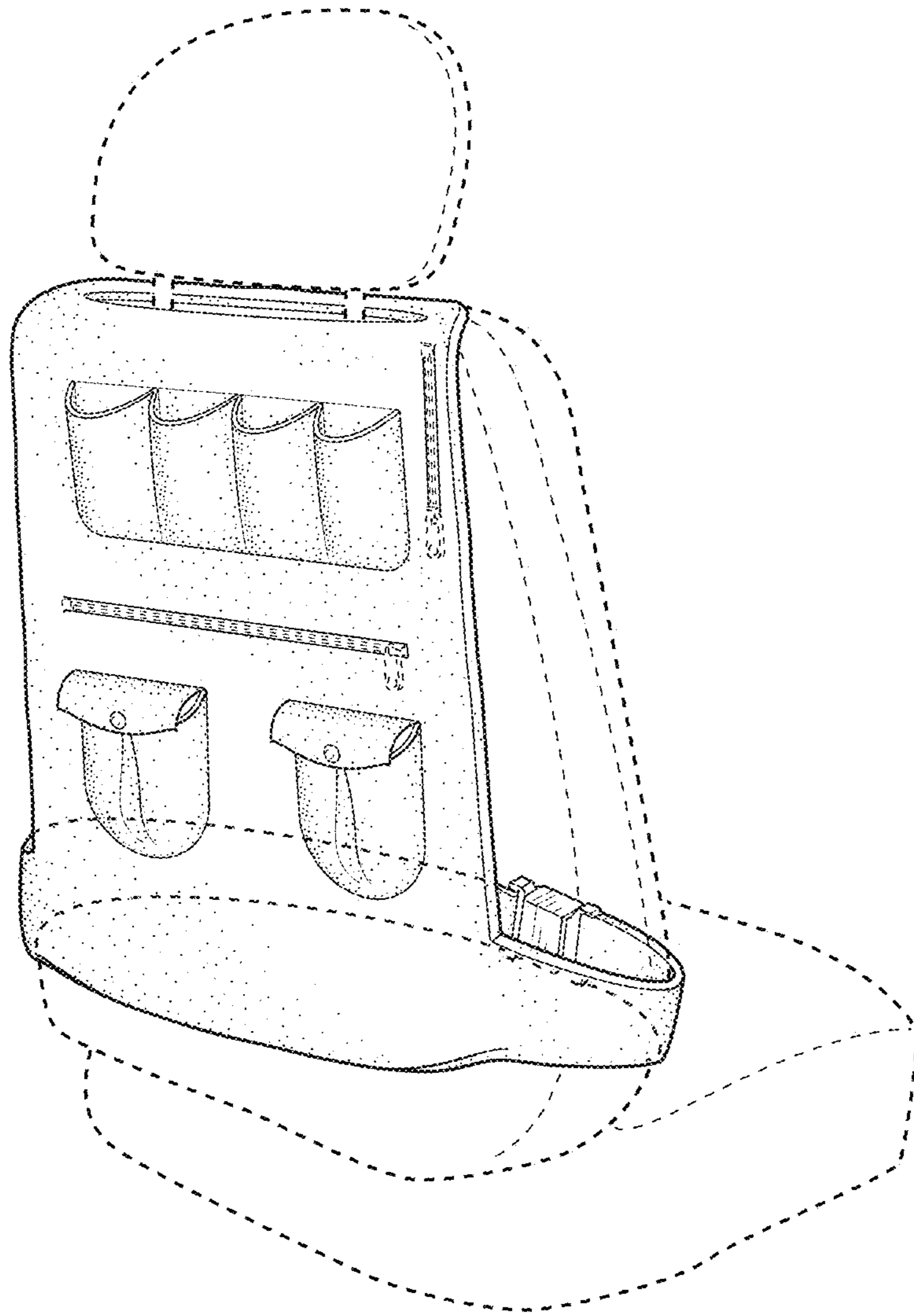


FIG. 8