



US00D911256S

(12) **United States Design Patent** (10) **Patent No.:** **US D911,256 S**  
**Sham** (45) **Date of Patent:** **\*\* Feb. 23, 2021**

(54) **VEHICLE CONSOLE**  
(71) Applicant: **Thunder Power New Energy Vehicle Development Company Limited,**  
Central (HK)  
(72) Inventor: **Wellen Sham,** Taipei (TW)  
(\*\*) Term: **15 Years**  
(21) Appl. No.: **29/663,095**  
(22) Filed: **Sep. 12, 2018**  
(51) **LOC (13) Cl.** ..... **12-16**  
(52) **U.S. Cl.**  
USPC ..... **D12/415**  
(58) **Field of Classification Search**  
USPC ..... D14/157, 485, 489, 492, 488, 490;  
D20/28, 35; D12/191, 192, 190, 195,  
D12/345, 415-420, 400, 110, 114, 106,  
D12/96, 99; 296/70, 24.3, 37.12;  
702/165; 345/158, 594; D10/113.4, 49,  
D10/46, 98, 102, 103, 122, 123, 124, 125,  
D10/126, 127; 715/839; D15/17, 28  
CPC ... B60R 21/045; B60R 2300/305; B60R 7/04;  
B60R 7/06; B60R 7/08; B60K 35/00;  
B60K 37/00; B60K 37/02; B60K 37/04;  
B60K 37/06; G06F 3/04817; H04N  
21/4307; H04N 21/4312  
See application file for complete search history.

D742,300 S \* 11/2015 Fontaeus ..... D12/415  
D758,284 S \* 6/2016 Ringer ..... D12/415  
D793,313 S \* 8/2017 Zimmermann ..... D12/192  
D795,145 S \* 8/2017 Miyashita ..... D12/192  
D795,146 S \* 8/2017 Ogawa ..... D12/192  
9,731,602 B2 \* 8/2017 Kim ..... G06F 1/1601  
D808,873 S \* 1/2018 Joyce ..... D12/192  
D809,443 S \* 2/2018 Walker ..... D12/192  
D811,444 S \* 2/2018 Chia ..... D15/28  
D826,813 S \* 8/2018 Carr ..... D12/192

(Continued)

**OTHER PUBLICATIONS**

Here's Why You Should Take Thunder Power Seriously, Despite Its Silly Name, CarBuzz.com, Sep. 18, 2017, by Adam Lynton in Reveal, [online], [site visited Nov. 1, 2019]. <URL: https://carbuzz.com/news/here-s-why-you-should-take-thunder-power-seriously-despite-its-silly-name> (Year: 2017).\*

(Continued)

*Primary Examiner* — T Chase Nelson  
*Assistant Examiner* — Jonathan J. Han  
(74) *Attorney, Agent, or Firm* — Kilpatrick Townsend & Stockton, LLP

(57) **CLAIM**

The ornamental design of a vehicle console, as shown and described.

**DESCRIPTION**

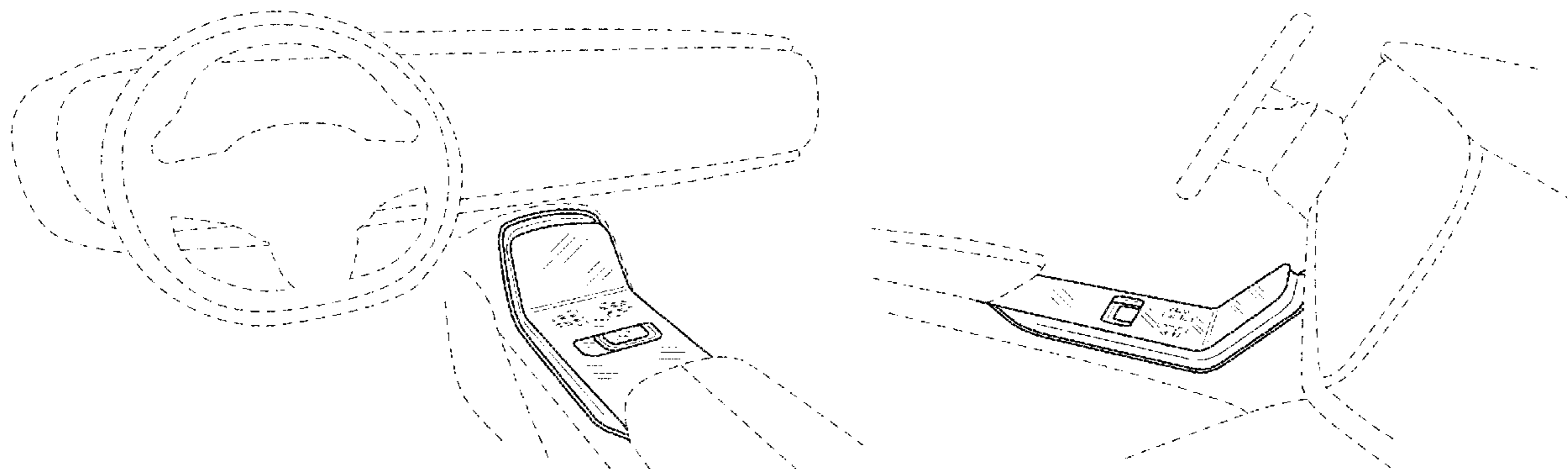
FIG. 1 is a first perspective view of a vehicle console, showing my new design;  
FIG. 2 is a second perspective view thereof; and,  
FIG. 3 is a third perspective view thereof.

The broken lines in the drawings are for the purpose of illustrating environment and portions of the vehicle console that form no part of the claimed design. The bottom of the vehicle console and any portion of the vehicle console not viewable in the drawings form no part of the claimed design.

**1 Claim, 3 Drawing Sheets**

(56) **References Cited**  
U.S. PATENT DOCUMENTS

D469,747 S \* 2/2003 To ..... D14/132  
D672,307 S \* 12/2012 von Holzhausen ..... D12/415  
D690,326 S \* 9/2013 Scott ..... D15/28  
D693,752 S \* 11/2013 Jovanoski ..... D12/192  
D697,459 S \* 1/2014 Yamada ..... D12/192  
D697,461 S \* 1/2014 Norman ..... D12/192  
D718,200 S \* 11/2014 Arnaout ..... D12/192  
D721,996 S \* 2/2015 Farcas ..... D12/192



(56)

References Cited

U.S. PATENT DOCUMENTS

D828,259	S *	9/2018	Takagi .....	D12/192
D833,351	S *	11/2018	Kosinski, II .....	D12/192
D835,567	S *	12/2018	Gaudreau .....	D12/415
D840,325	S *	2/2019	Sandys .....	D12/415
D841,544	S *	2/2019	Buffery .....	D12/192
D843,288	S *	3/2019	Fontaeus .....	D12/192
D844,515	S *	4/2019	Webber .....	D12/192
D852,100	S *	6/2019	Ko .....	D12/192
D857,574	S *	8/2019	Shibata .....	D12/192
D858,390	S *	9/2019	Kato .....	D12/192
2010/0214213	A1 *	8/2010	Bowden .....	B60K 35/00 345/157
2013/0257083	A1 *	10/2013	Merkel .....	B60R 7/06 296/37.12
2014/0203585	A1 *	7/2014	Sofield .....	B60R 11/02 296/37.12
2016/0090104	A1 *	3/2016	Diaz-Jimenez .....	B60W 50/10 701/70

OTHER PUBLICATIONS

Thunder Power reveals electric vehicle range at IAA 2017, CarrusHome.com, Sep. 12, 2017, [online], [site visited Nov. 1, 2019]. <URL: <https://www.carrushome.com/en/thunder-power-reveals-electric-vehicle-range-at-iaa-2017/>> (Year: 2017).\*

Ram's iPad-size touch screen emerges as hottest add-on in trucks, DetroitNews.com, Gabrielle Coppola, Bloomberg News, Published 6:27 p.m. ET May 19, 2019, [online], [site visited Nov. 1, 2019]. <URL: <https://www.detroitnews.com/story/business/autos/chrysler/2019/05/19/ram-touch-screen-hottest-pi/>> (Year: 2019).\*

Tesla Model S Center Console From Evannex (#CleanTechnica Review), CleanTechnica.com, Feb. 25, 2018 by Zachary Shahan, [online], [site visited Nov. 1, 2019]. <URL: <https://cleantechnica.com/2018/02/25/tesla-model-s-center-console-evannex-cleantechnica-review/>> (Year: 2018).\*

\* cited by examiner

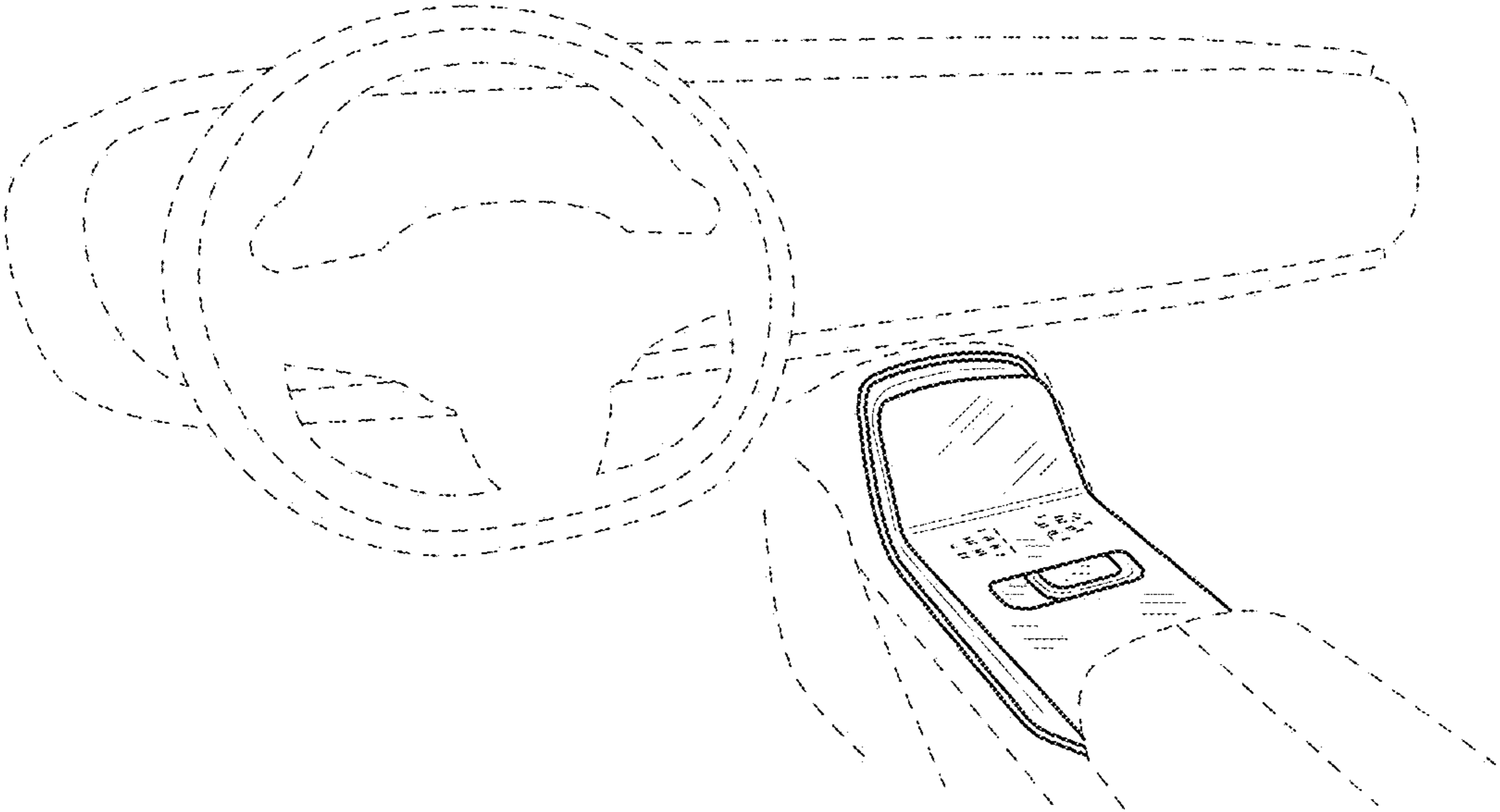


FIG. 1

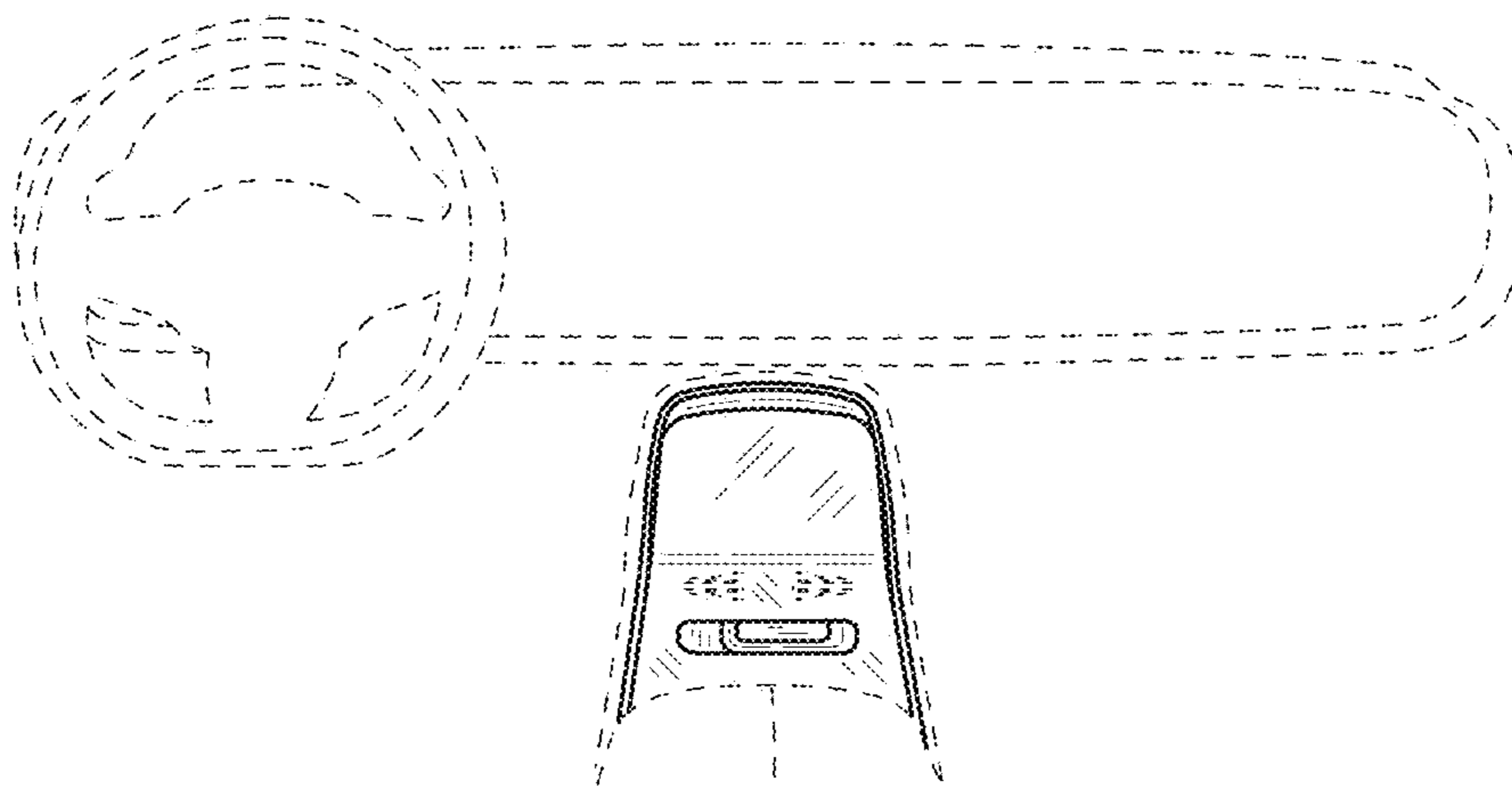


FIG. 2

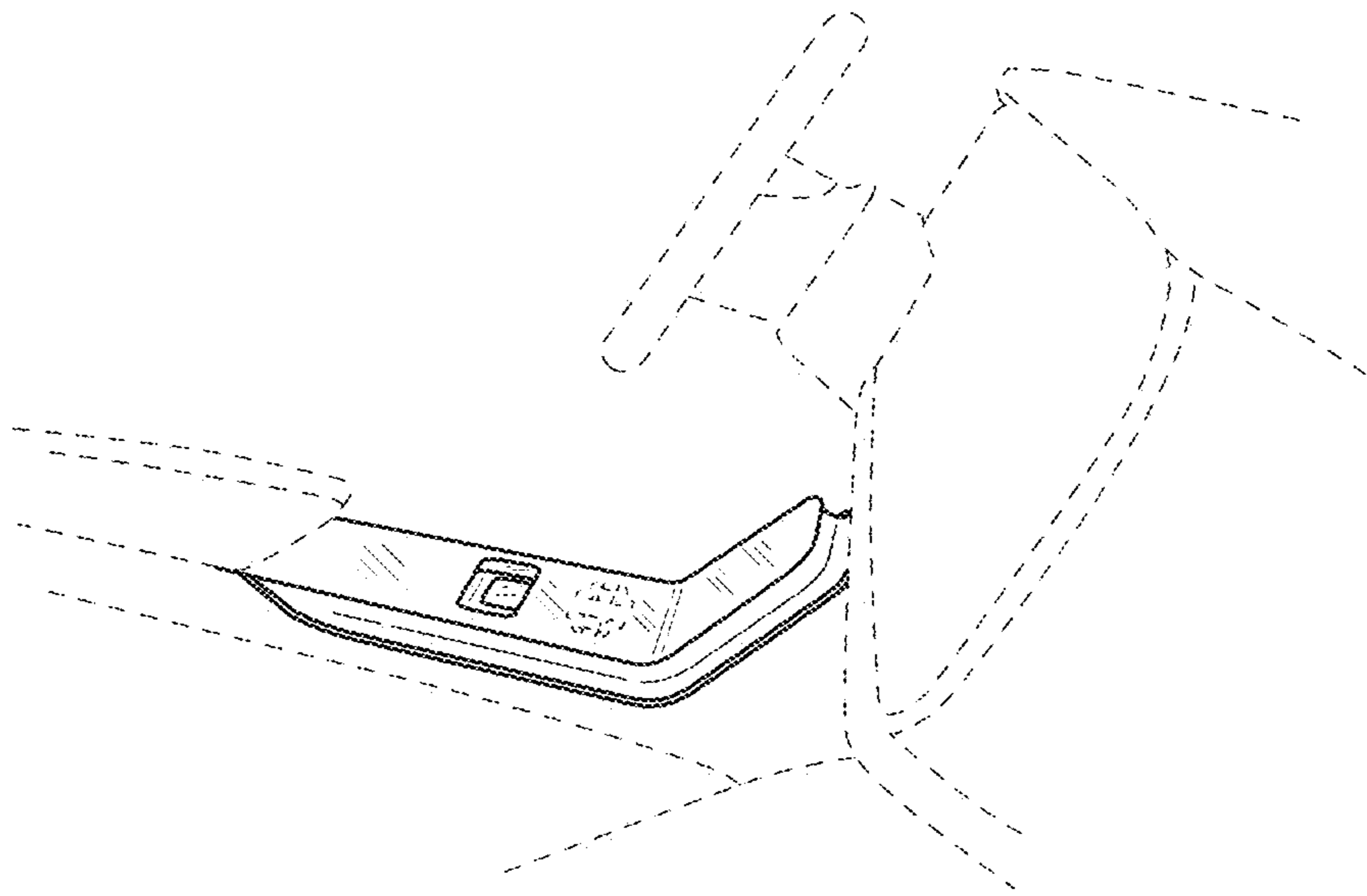


FIG.3